



US00D856389S

(12) **United States Design Patent**
Gayne et al.

(10) **Patent No.:** **US D856,389 S**

(45) **Date of Patent:** **** Aug. 13, 2019**

(54) **BASE OF AN AUTONOMOUS MOBILE ROBOT**

(71) Applicant: **Jabil Inc.**, St. Petersburg, FL (US)

(72) Inventors: **Jarrett Gayne**, St. Petersburg, FL (US);
Tim Rowland, St. Petersburg, FL (US)

(73) Assignee: **JABIL INC.**, St. Petersburg, FL (US)

(**) Term: **15 Years**

(21) Appl. No.: **29/642,674**

(22) Filed: **Mar. 30, 2018**

(51) **LOC (12) Cl.** **15-99**

(52) **U.S. Cl.**
USPC **D15/199**

(58) **Field of Classification Search**
USPC D15/199; D21/369, 578-583, 621, 622;
D32/21
CPC ... B25J 5/00; B25J 5/007; B25J 9/0006; B25J
19/0016; Y10S 901/01; Y10S 901/19;
Y10S 901/27
See application file for complete search history.

(56) **References Cited**

U.S. PATENT DOCUMENTS

D644,256 S *	8/2011	Kitano	D15/199
D675,656 S *	2/2013	Sutherland	D15/199
D715,941 S *	10/2014	Li	D24/158
D723,026 S *	2/2015	Birgeoglu	D14/307
D725,166 S *	3/2015	Paik	D15/199
D735,258 S *	7/2015	Jang	D15/199
D760,671 S *	7/2016	Chalabi	D14/125
D766,644 S *	9/2016	Huang	D15/199
D776,651 S *	1/2017	Yates	D14/307
D778,276 S *	2/2017	Berini	D14/307
D799,473 S *	10/2017	Brown	D14/307
9,776,327 B2 *	10/2017	Pinter	B25J 9/1676
D802,040 S *	11/2017	Canoso	D15/199

D810,820 S *	2/2018	Hong	D18/53
D811,458 S *	2/2018	Wang	D15/199
D813,281 S *	3/2018	Kittmann	D15/199
D817,375 S *	5/2018	Deyle	D15/199
D819,711 S *	6/2018	Li	D15/199
D819,712 S *	6/2018	Gee	D15/199
D822,736 S *	7/2018	Kato	D15/199
D829,250 S *	9/2018	Zilbershtein	D15/199

(Continued)

Primary Examiner — Patricia A Palasik

(74) *Attorney, Agent, or Firm* — Thomas J. McWilliams;
Barnes & Thornburg LLP

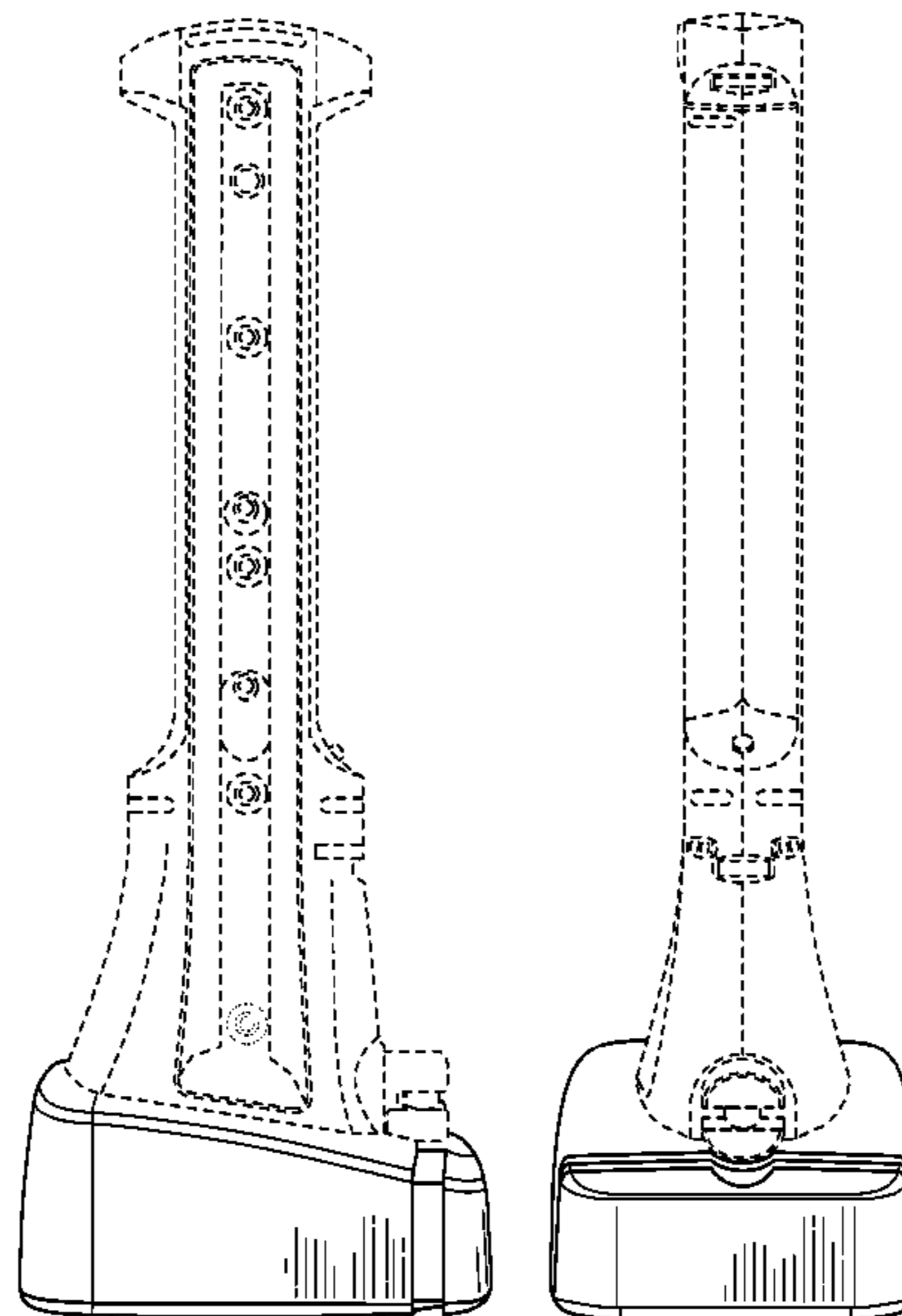
(57) **CLAIM**

We claim the ornamental design for a base of an autonomous mobile robot, as shown and described.

DESCRIPTION

FIG. 1 is a perspective view from above of a base of an autonomous mobile robot representing an embodiment of the present invention;
 FIG. 2 is a right side view of a base of an autonomous mobile robot depicted in FIG. 1;
 FIG. 3 is a left side view of a base of an autonomous mobile robot depicted in FIG. 1;
 FIG. 4 is a back side view of a base of an autonomous mobile robot depicted in FIG. 1;
 FIG. 5 is a front-side view of a base of an autonomous mobile robot depicted in FIG. 1;
 FIG. 6 is a top view of a base of an autonomous mobile robot depicted in FIG. 1;
 FIG. 7 is a bottom side view of a base of an autonomous mobile robot; and,
 FIG. 8 is a perspective view from below of a base of an autonomous mobile robot depicted in FIG. 1.
 Dash lines are not claimed, and are included only to show details of a base of an autonomous mobile robot design in the drawings.

1 Claim, 6 Drawing Sheets



(56)

References Cited

U.S. PATENT DOCUMENTS

D829,252 S *	9/2018	Wang	D15/199
D840,452 S *	2/2019	Yoo	D15/199
D841,067 S *	2/2019	Camporesi	D15/199
2010/0010672 A1 *	1/2010	Wang	B25J 5/00 700/259
2016/0059408 A1 *	3/2016	Isobe	B25J 5/007 700/253
2016/0107317 A1 *	4/2016	Hashimoto	B25J 9/042 414/744.2

* cited by examiner

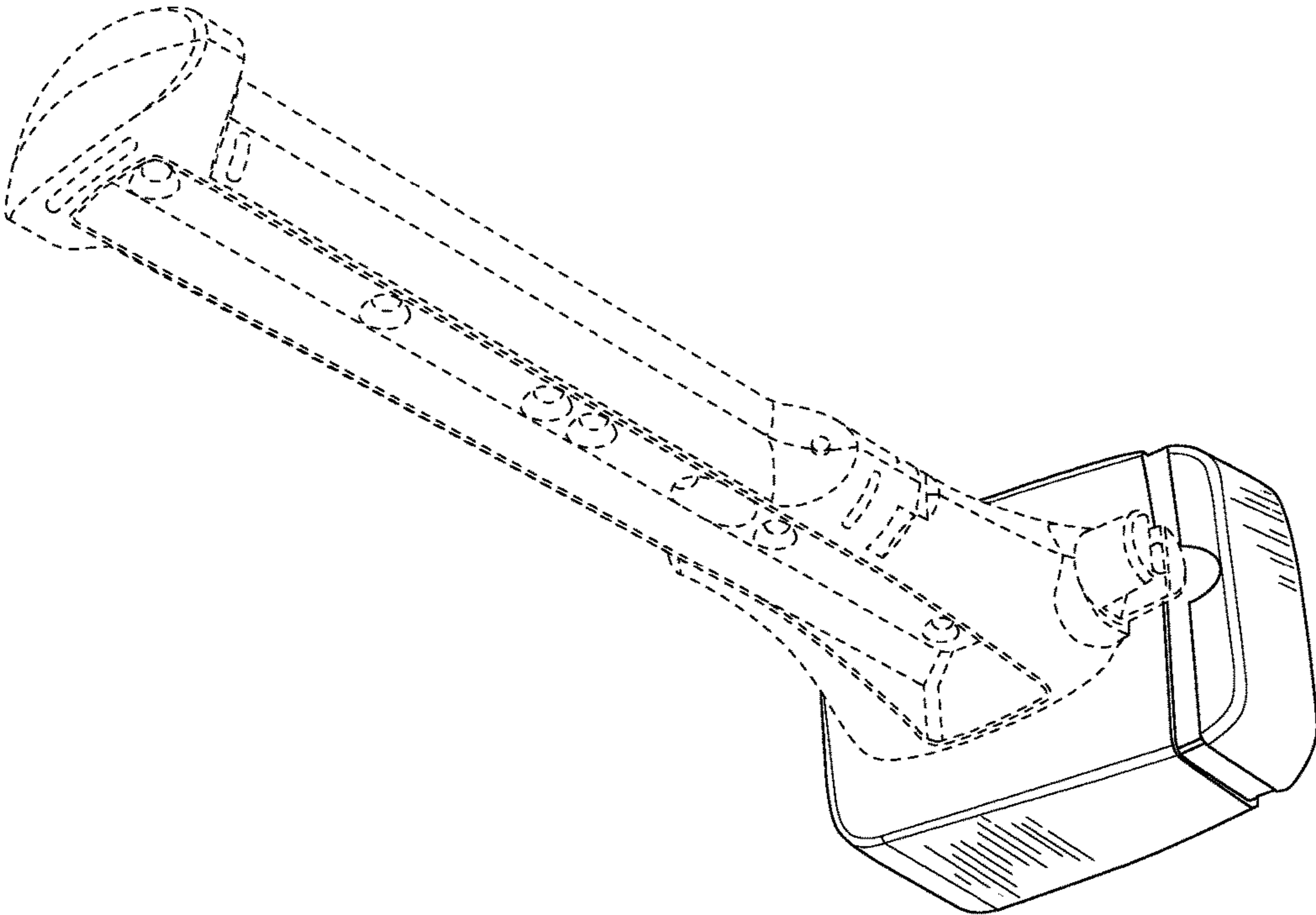


FIG. 1

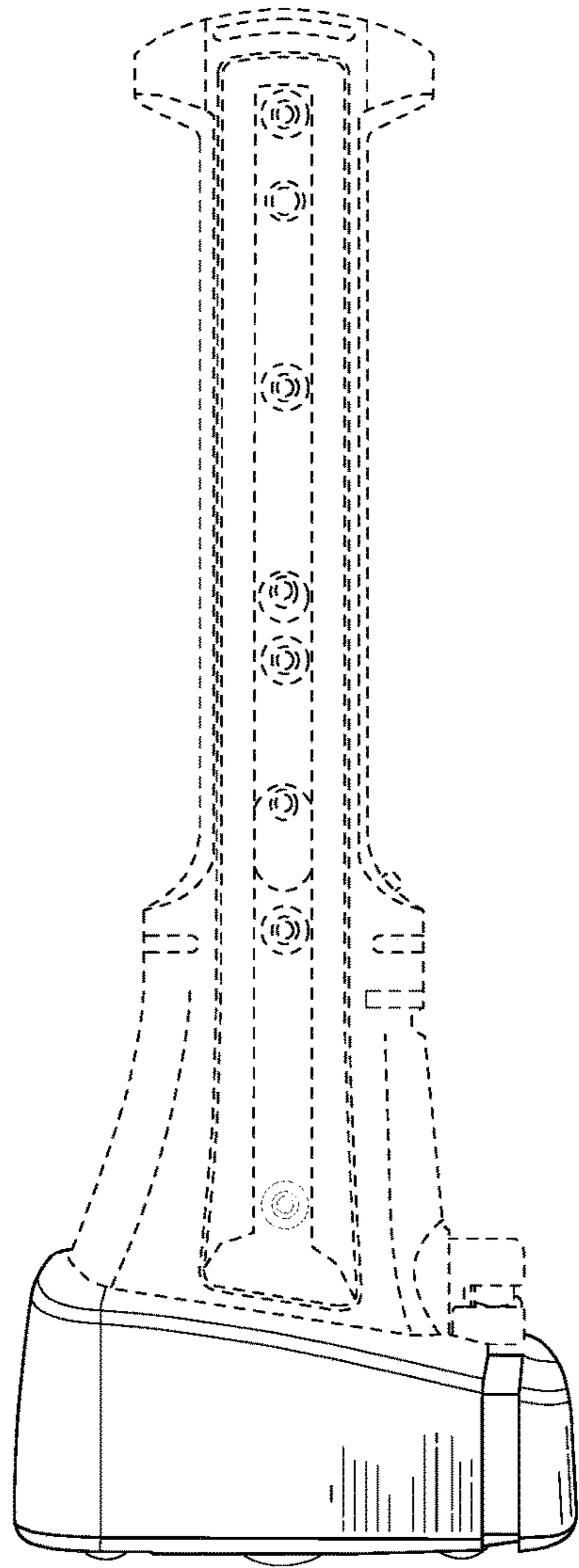


FIG. 2

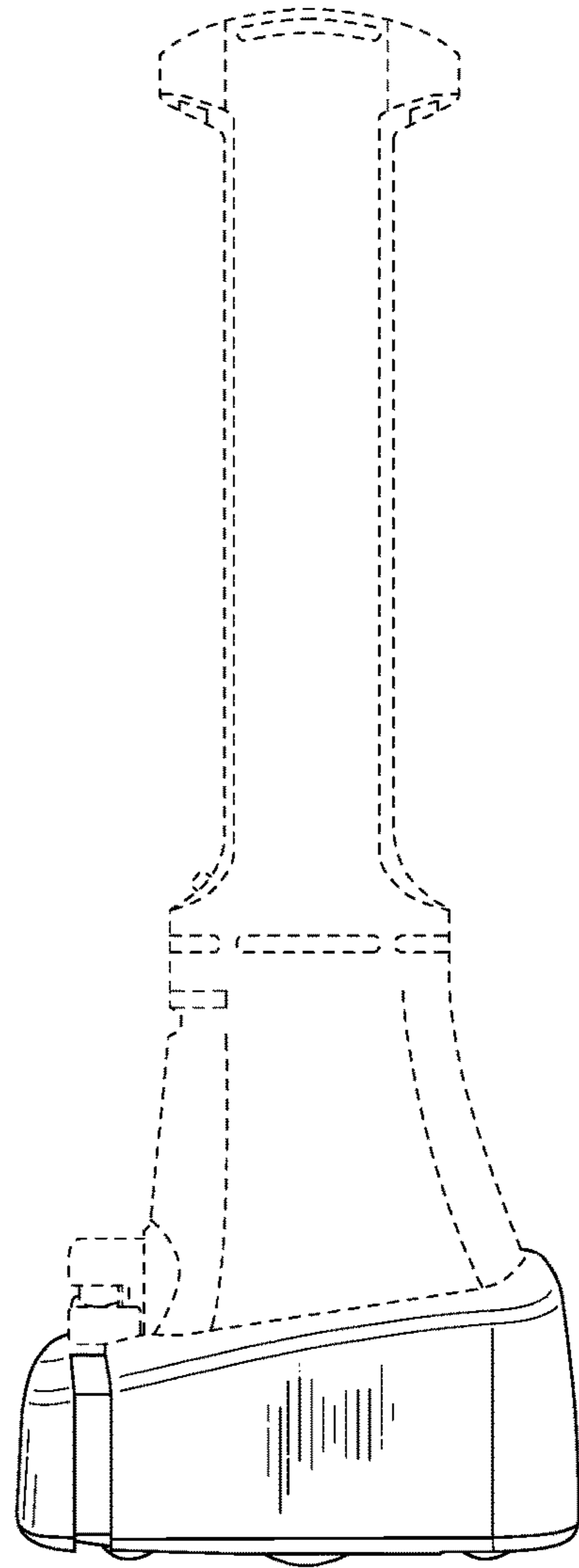


FIG. 3

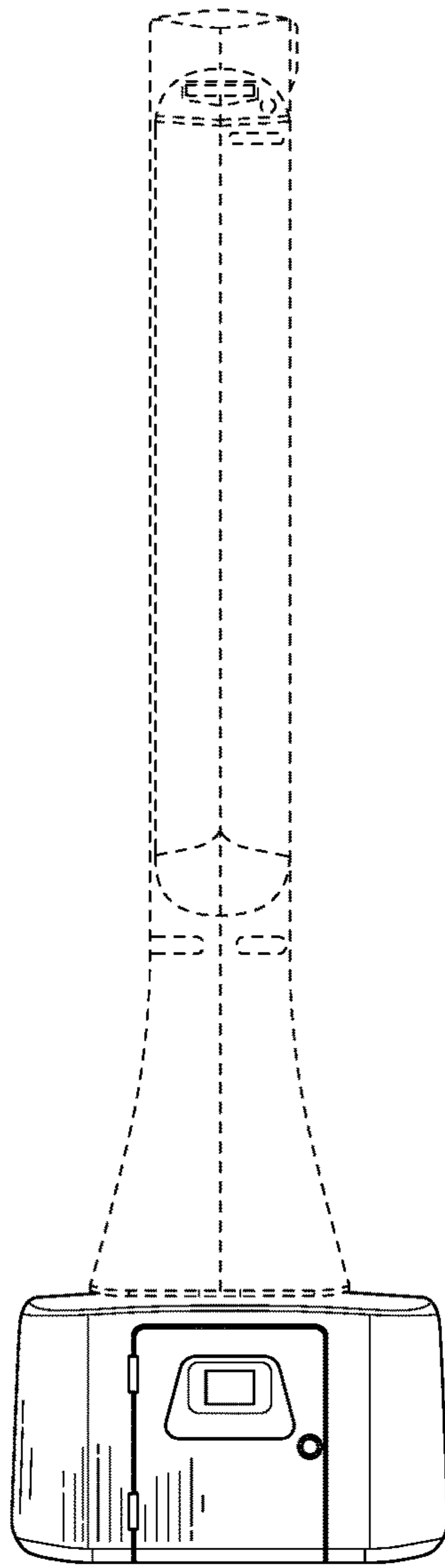


FIG. 4

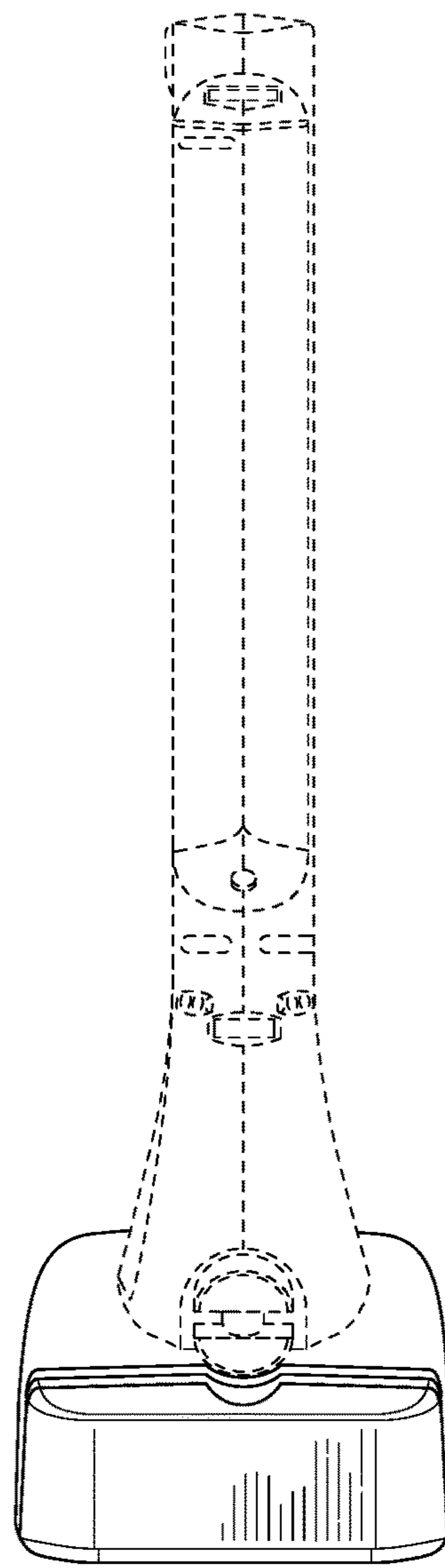


FIG. 5

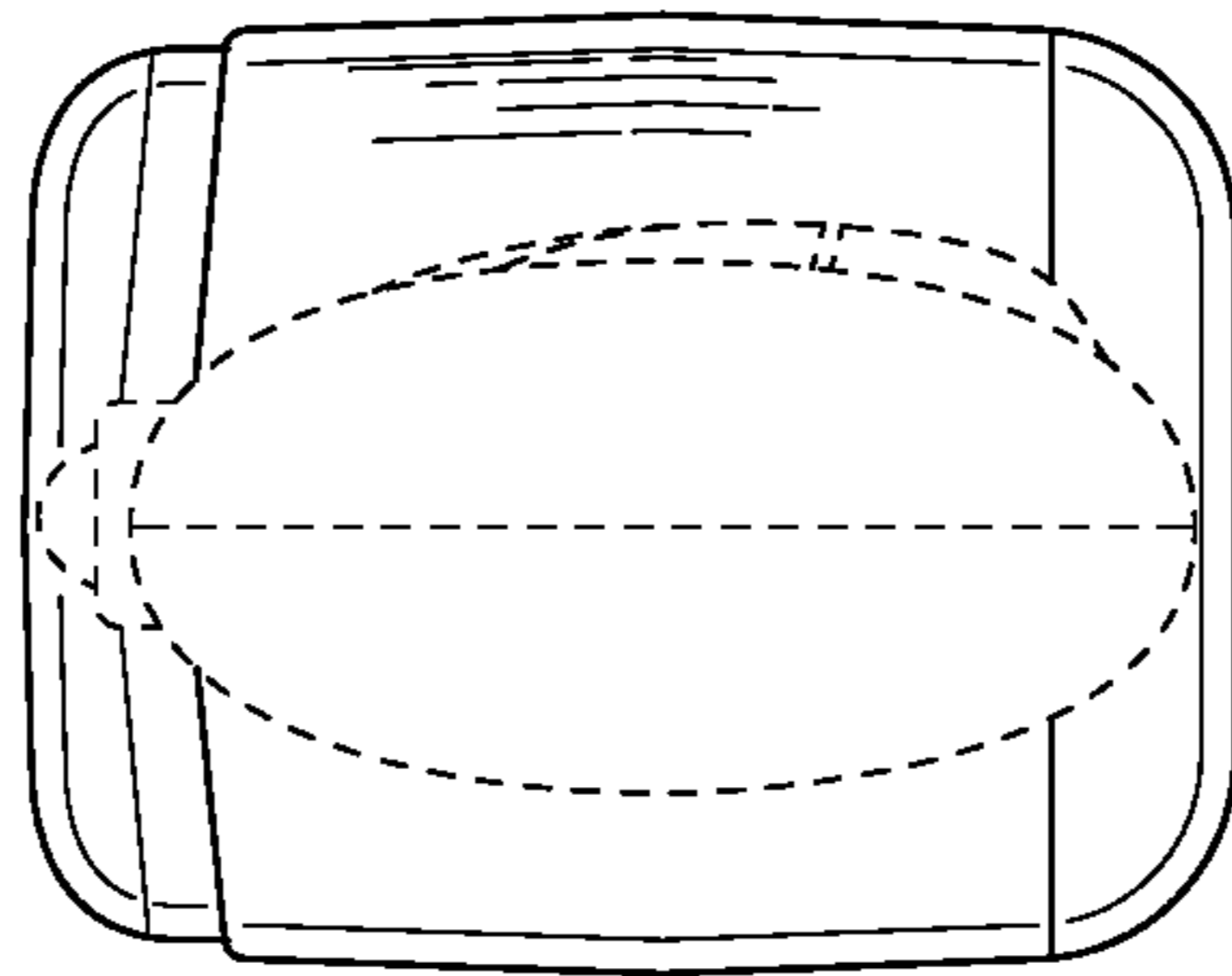


FIG.6

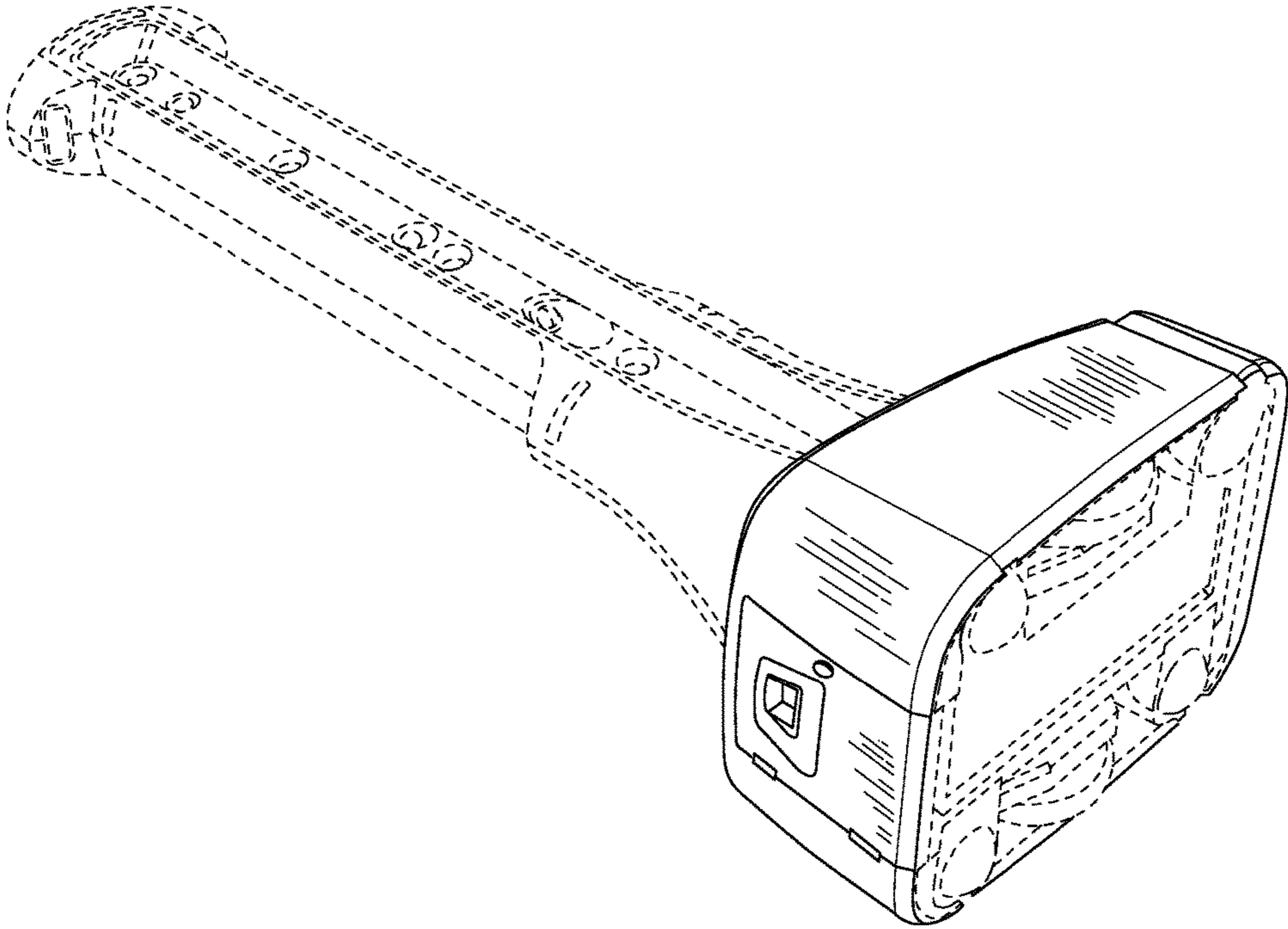


FIG. 7

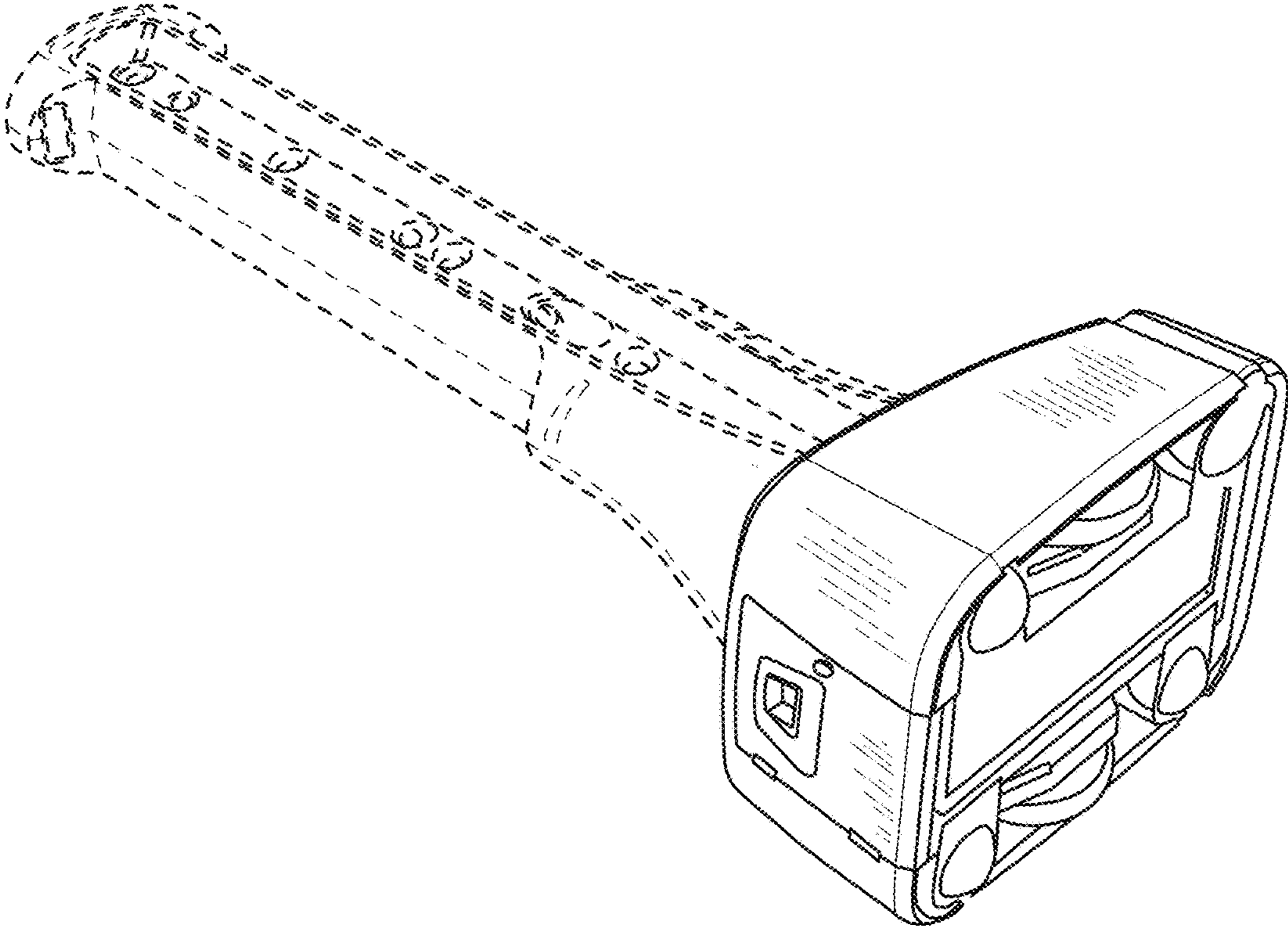


FIG. 8