



US00D856388S

(12) **United States Design Patent**
Duke et al.

(10) **Patent No.:** **US D856,388 S**

(45) **Date of Patent:** **** Aug. 13, 2019**

(54) **LUBRICANT DIRECTOR FOR AN
ELEVATOR GUIDE RAIL**

(71) Applicants: **thyssenkrupp Elevator Corporation**,
Alpharetta, GA (US); **thyssenkrupp
AG**, Essen (DE)

(72) Inventors: **Russell Duke**, Lakeland, TN (US);
Malcom Ray Nooner, Walnut, MS
(US)

(73) Assignees: **THYSSENKRUPP ELEVATOR
CORPORATION**, Alpharetta, GA
(US); **THYSSENKRUPP AG**, Essen
(DE)

(**) Term: **15 Years**

(21) Appl. No.: **29/618,614**

(22) Filed: **Sep. 22, 2017**

(51) **LOC (12) Cl.** **15-09**

(52) **U.S. Cl.**
USPC **D15/150**

(58) **Field of Classification Search**
USPC D15/150, 150.1, 150.2, 199
CPC F16N 7/00
See application file for complete search history.

(56) **References Cited**

U.S. PATENT DOCUMENTS

- 2,548,229 A * 4/1951 Mendenhall F16N 7/00
384/13
- 3,365,104 A * 1/1968 Bowman B23Q 11/1084
222/365
- D341,366 S * 11/1993 Tricarico D15/150
- D370,227 S * 5/1996 Mosley D15/150
- D391,274 S * 2/1998 Gasior D15/150
- D463,808 S * 10/2002 Dorset D15/150
- D478,920 S * 8/2003 Huckabee D15/150

- D490,449 S * 5/2004 Saks, III D15/150
- D500,065 S * 12/2004 Frank D15/150
- 7,750,494 B1 * 7/2010 Behrens F03D 3/005
290/55
- D687,080 S * 7/2013 Carroll D15/150
- D763,936 S * 8/2016 Ruffin, Jr. D15/150
- D809,093 S * 1/2018 Kasper D23/211
- D820,333 S * 6/2018 Merrifield D15/150
- 2016/0341301 A1 * 11/2016 Slesinski F16H 1/00

OTHER PUBLICATIONS

Accessories for Lift Industry, Dimension Lists/Technical Sheets,
ACLA-WERKE GmbH, pp. 42-47, ver. 2013.

* cited by examiner

Primary Examiner — Patricia A Palasik

(74) *Attorney, Agent, or Firm* — thyssenkrupp North
America, Inc.

(57) **CLAIM**

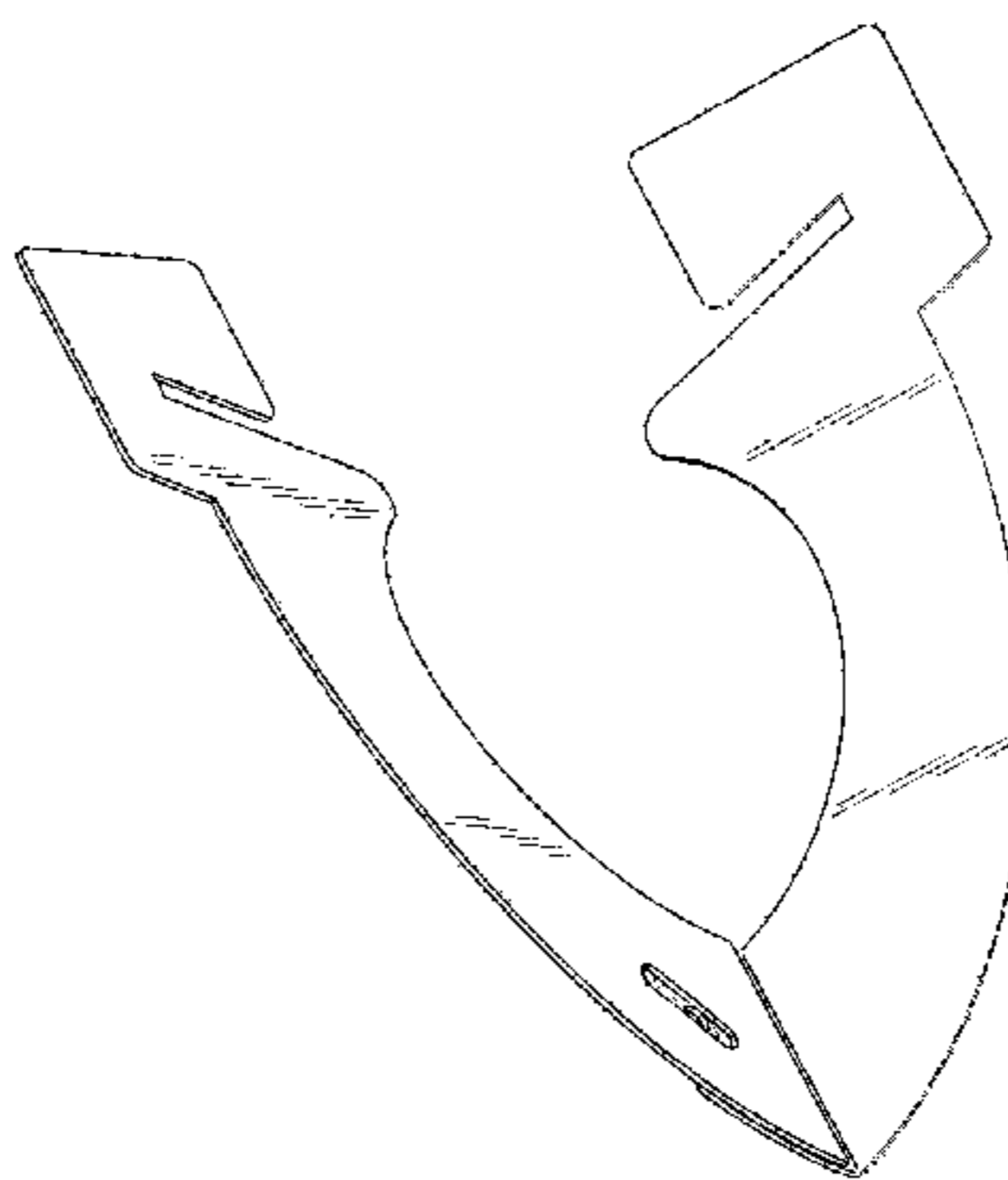
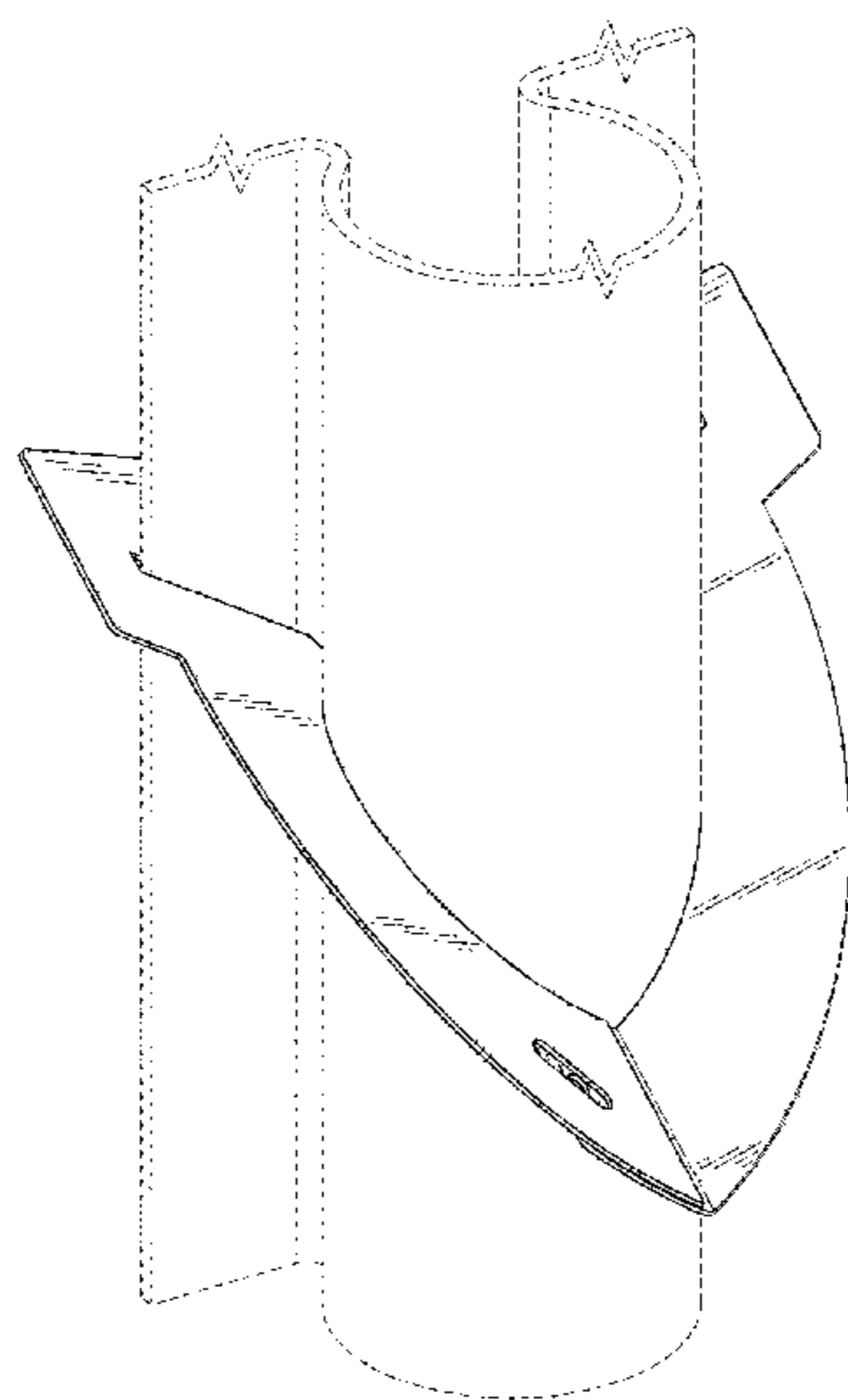
The ornamental design for a lubricant director for an eleva-
tor guide rail, as shown and described.

DESCRIPTION

FIG. 1 is a perspective view of a lubricant director for an
elevator guide rail showing our design, the broken lines
showing an omega-shaped elevator guide rail illustrate envi-
ronmental structure on which the lubricant director for an
elevator guide may be installed and form no part of the
claimed design;

FIG. 2 is a perspective view thereof;
FIG. 3 is a top plan view thereof;
FIG. 4 is a bottom plan view thereof;
FIG. 5 is a left side view thereof;
FIG. 6 is a right side view thereof;
FIG. 7 is a back view thereof; and,
FIG. 8 is a front view thereof.

1 Claim, 6 Drawing Sheets



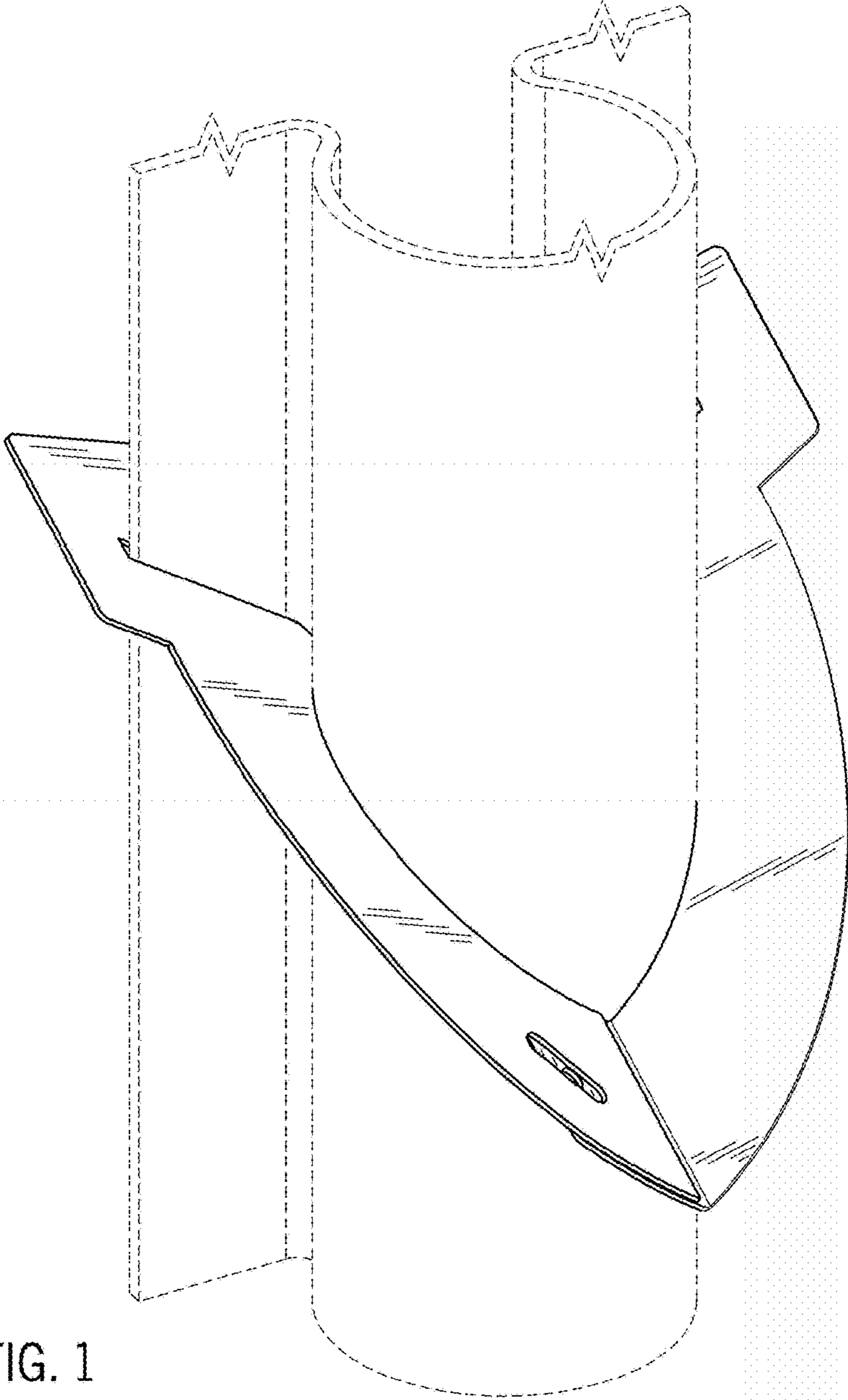


FIG. 1

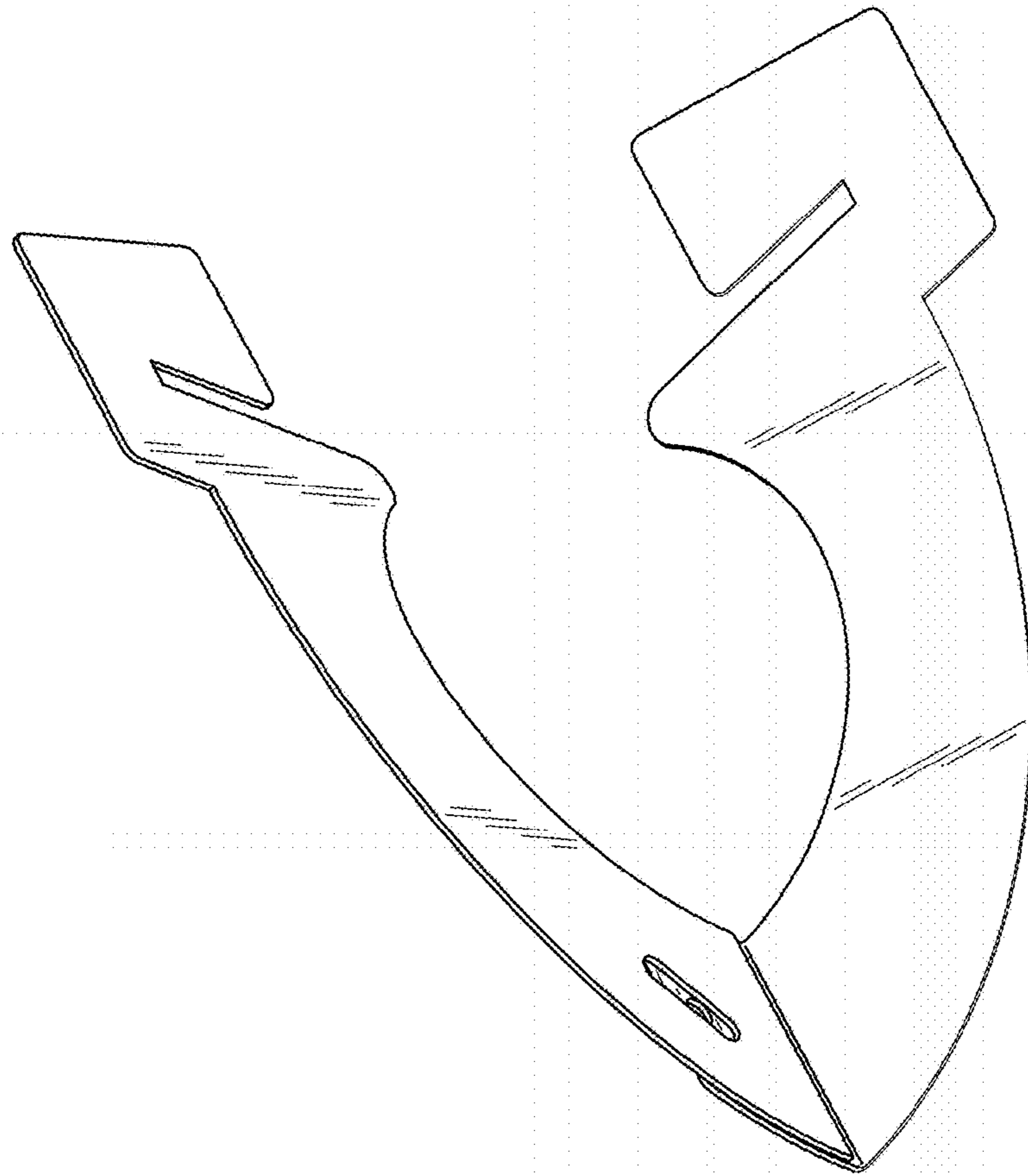


FIG. 2

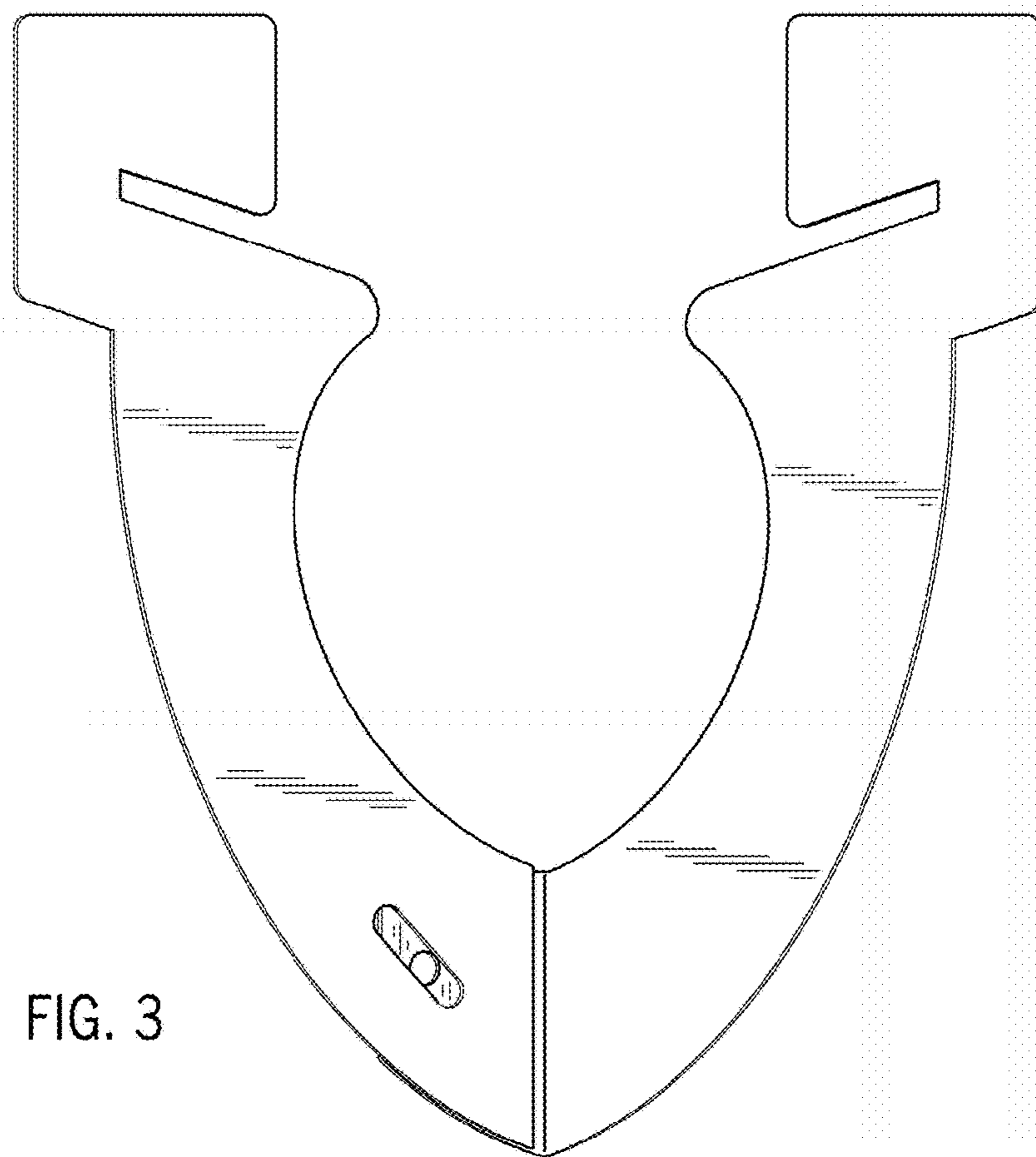


FIG. 3

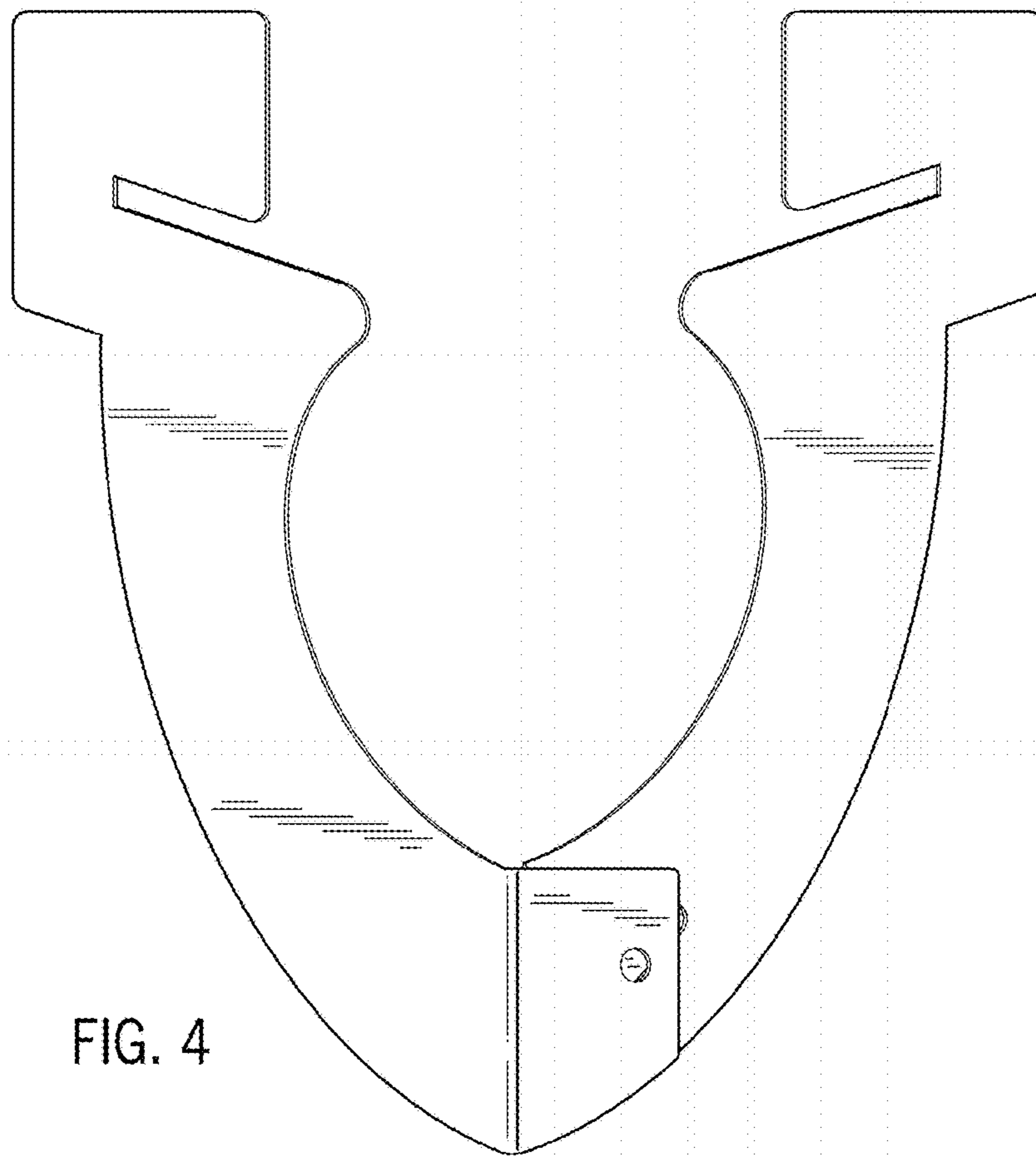


FIG. 4

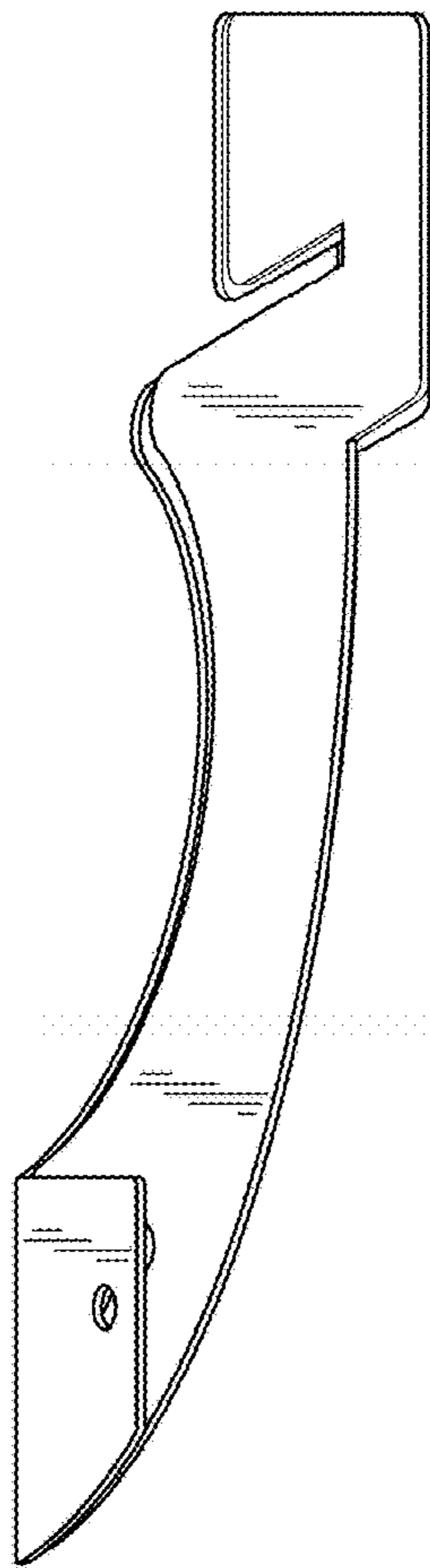


FIG. 5

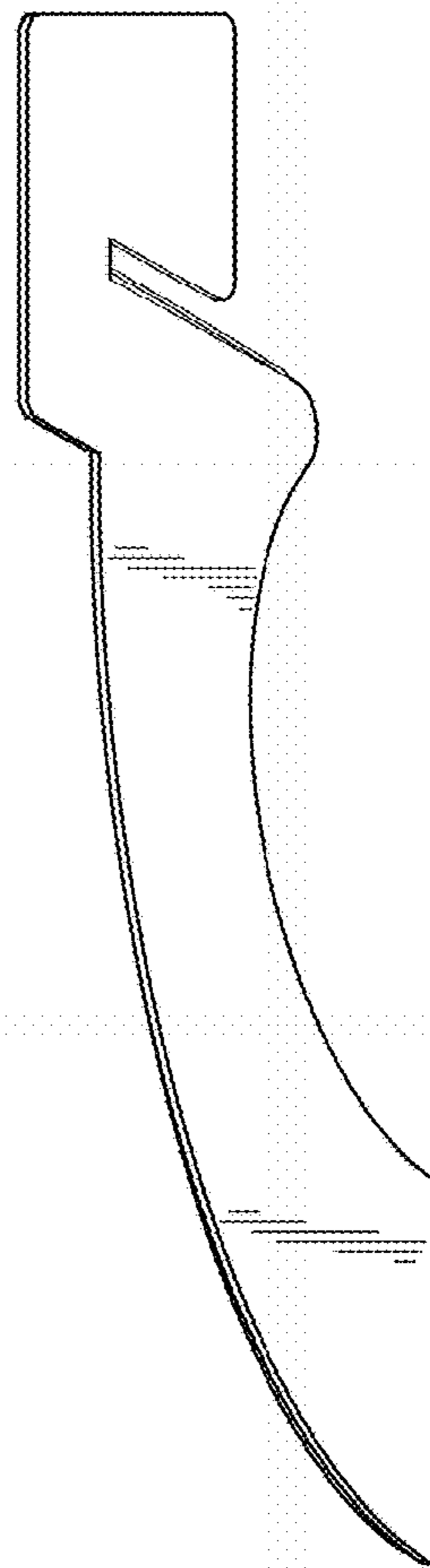


FIG. 6

