



US00D856386S

(12) **United States Design Patent** (10) **Patent No.:** **US D856,386 S**
Banjo et al. (45) **Date of Patent:** **** Aug. 13, 2019**

(54) **AUGER BIT**

35/36; B23K 35/3603; B23K 35/3605;
B23K 35/3613; B23K 35/365;

(71) Applicant: **Frictionless World LLC**, Westminster,
CO (US)

(Continued)

(72) Inventors: **Daniel Banjo**, Boulder, CO (US);
Brian Stillwell, Westminster, CO (US)

(56) **References Cited**

(73) Assignee: **Frictionless World LLC**, Westminster,
CO (US)

U.S. PATENT DOCUMENTS

2,846,192 A 8/1958 Ostling
3,129,775 A 4/1964 Connelly
(Continued)

(**) Term: **15 Years**

FOREIGN PATENT DOCUMENTS

(21) Appl. No.: **29/609,293**

EP 2965622 1/2016

(22) Filed: **Jun. 29, 2017**

OTHER PUBLICATIONS

(51) **LOC (12) Cl.** **15-03**

Official Action for Canadian Patent Application No. 178870, dated
Sep. 11, 2018, 1 page.

(52) **U.S. Cl.**

USPC **D15/139**

(58) **Field of Classification Search**

USPC D15/21, 138, 139; D8/1, 3, 8, 98

CPC B23K 26/20; B23K 26/034; B23K 26/044;

B23K 26/0619; B23K 26/123; B23K

26/1429; B23K 26/032; B23K 11/0026;

B23K 11/062; B23K 11/066; B23K

11/0873; B23K 11/0876; B23K 11/115;

B23K 11/24; B23K 11/248; B23K

11/252; B23K 11/257; B23K 11/3018;

B23K 11/3054; B23K 11/36; B23K

15/0013; B23K 15/02; B23K 15/08;

B23K 15/085; B23K 1/0014; B23K

1/0018; B23K 1/0056; B23K 20/12;

B23K 20/1215; B23K 2201/001; B23K

2201/04; B23K 2201/125; B23K 2203/04;

B23K 2203/10; B23K 2203/16; B23K

2203/26; B23K 2203/42; B23K 2203/52;

B23K 26/03; B23K 26/28; B23K 26/362;

B23K 26/38; B23K 26/382; B23K 31/02;

B23K 31/12; B23K 35/0222; B23K

35/0244; B23K 35/025; B23K 35/0261;

B23K 35/286; B23K 35/3006; B23K

35/3013; B23K 35/302; B23K 35/3033;

B23K 35/3046; B23K 35/327; B23K

(57) **CLAIM**

The ornamental design for an auger bit, as shown and
described herein.

DESCRIPTION

FIG. 1 is a front perspective view of the auger bit;

FIG. 2 is a front elevation view thereof;

FIG. 3 is a right elevation view thereof;

FIG. 4 is a rear elevation view thereof;

FIG. 5 is a left elevation view thereof;

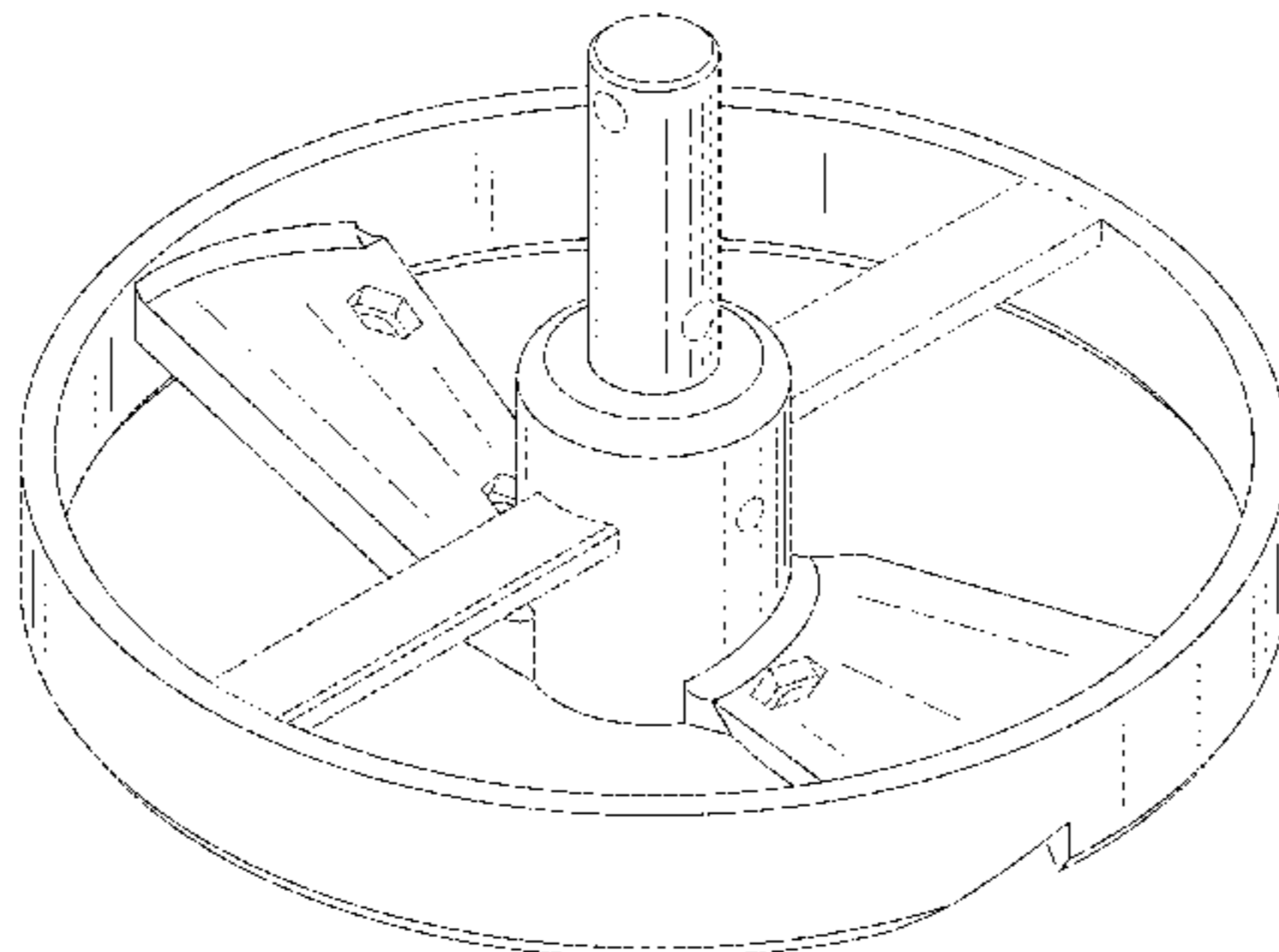
FIG. 6 is a top plan view thereof;

FIG. 7 is a bottom plan view thereof; and,

FIG. 8 is a perspective view thereof with additional auger
components provided for illustrative purposes.

The broken lines showing portions of the auger bit and auger
are provided to illustrate environment only, and form no part
of the claimed design.

(Continued)



The dot-dash lines are provided to show a boundary of the claimed design and form no part of the claimed design.

1 Claim, 8 Drawing Sheets

(58) Field of Classification Search

CPC B23K 37/04; B23K 9/02; B23K 9/073;
B23K 9/091; B23K 9/092; B23K 9/095;
B23K 9/0956; B23K 9/1006

See application file for complete search history.

(56) References Cited

U.S. PATENT DOCUMENTS

D242,012 S * 10/1976 Kotajarvi D8/8
4,074,780 A 2/1978 Gilbert
D250,388 S * 11/1978 Rantanen D15/21
4,819,744 A 4/1989 Caswell
4,986,368 A 1/1991 Underwood et al.
5,190,113 A 3/1993 Hawrylak
7,140,456 B2 11/2006 Maki
D624,569 S * 9/2010 Norling D15/139
D635,599 S 4/2011 Furseth et al.
7,946,355 B1 5/2011 Kluge
D660,888 S * 5/2012 Piliguian D15/126
D680,373 S * 4/2013 Haggerty D7/412
9,270,152 B2 2/2016 Schamberger et al.
D768,742 S * 10/2016 Charbonneau D15/139

* cited by examiner

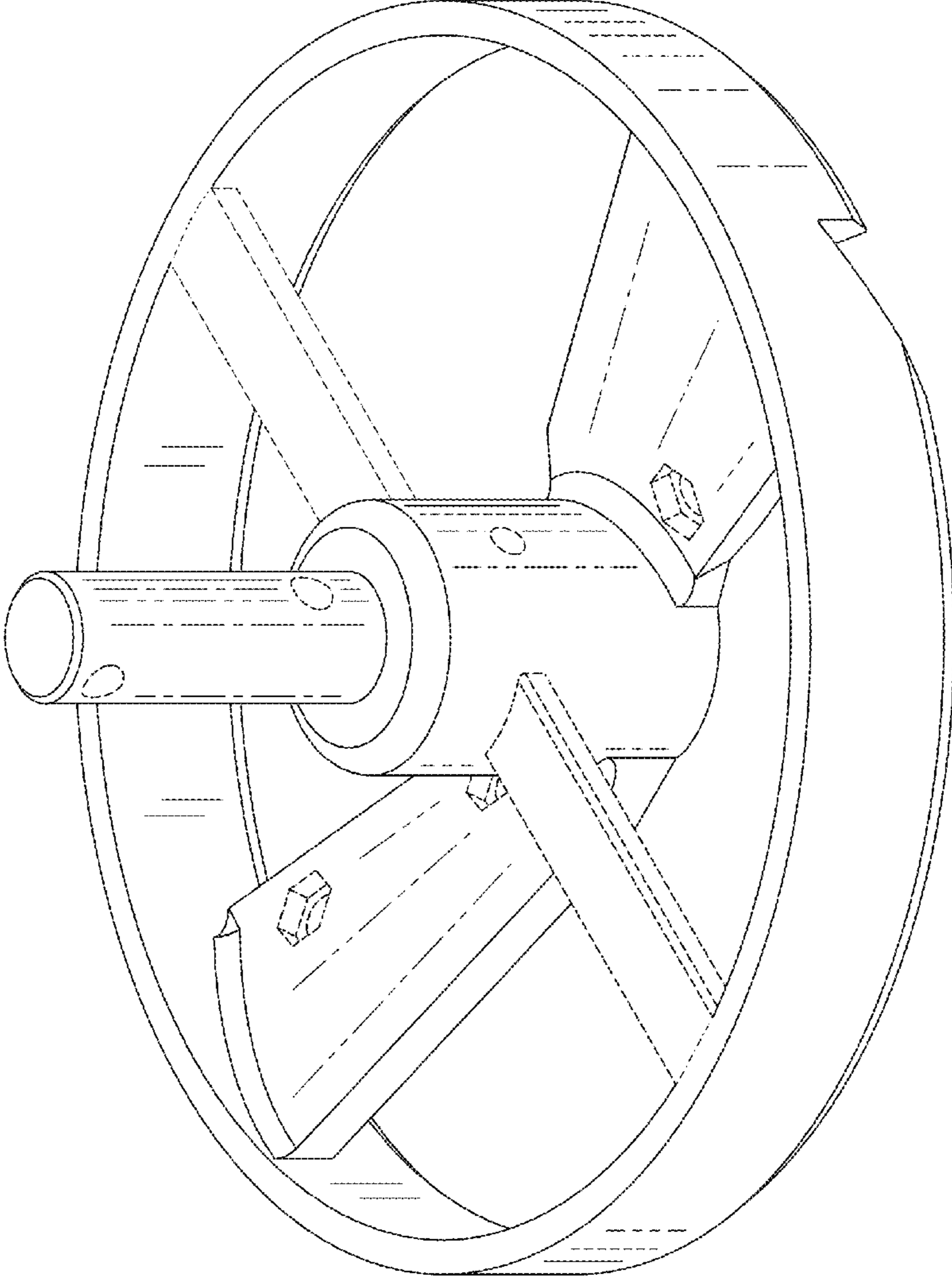


Fig. 1

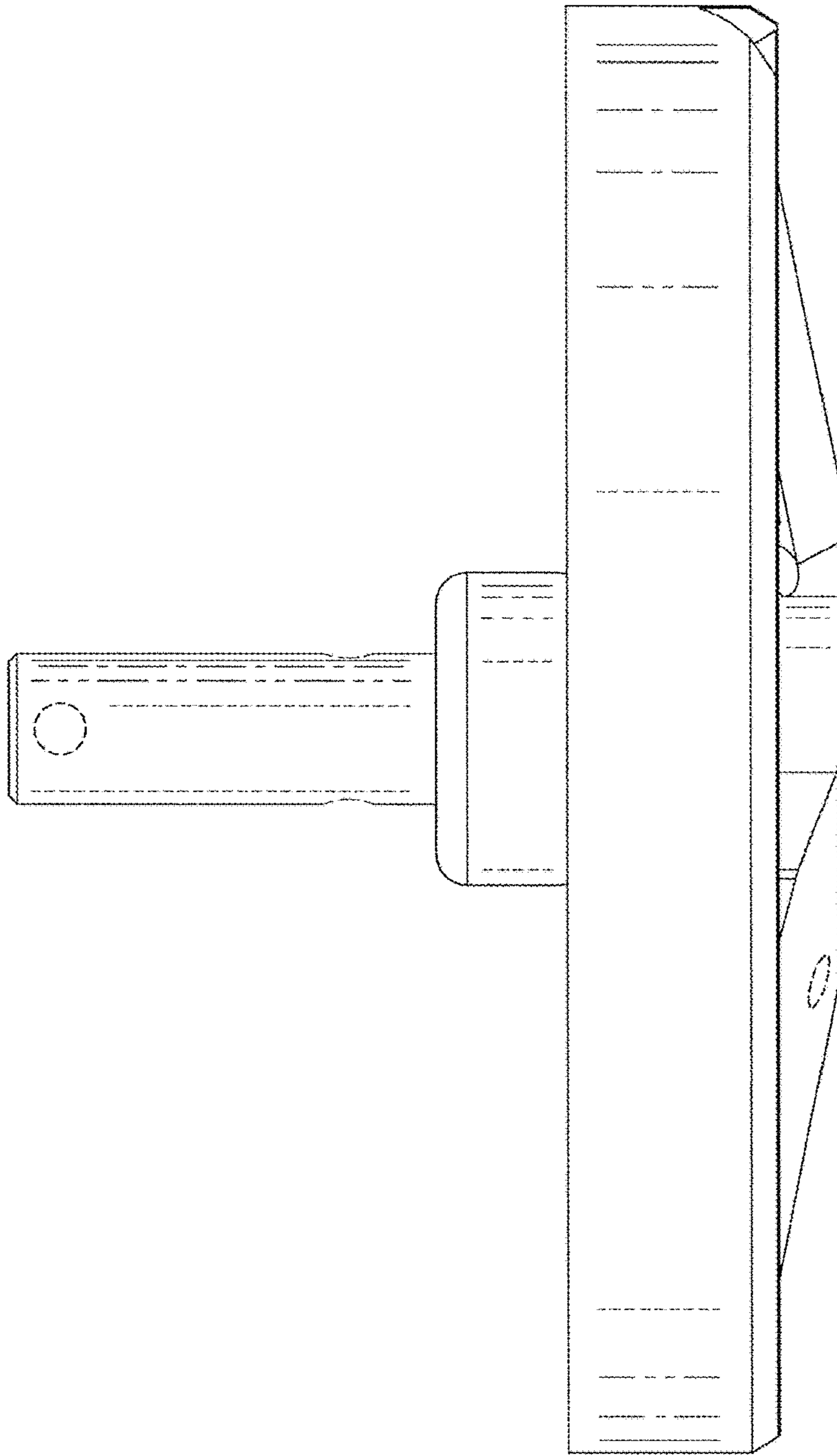


Fig. 2

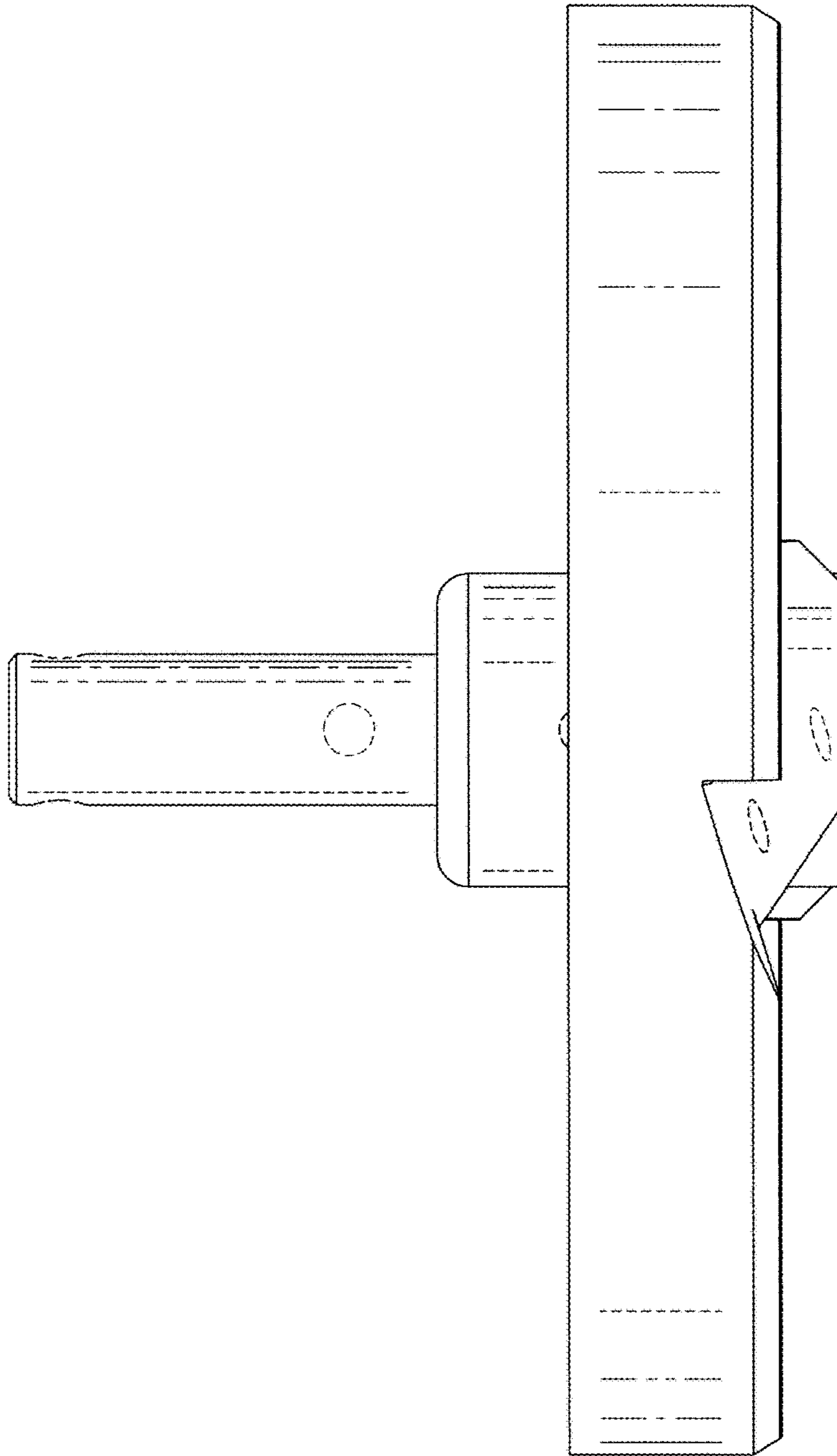


Fig. 3

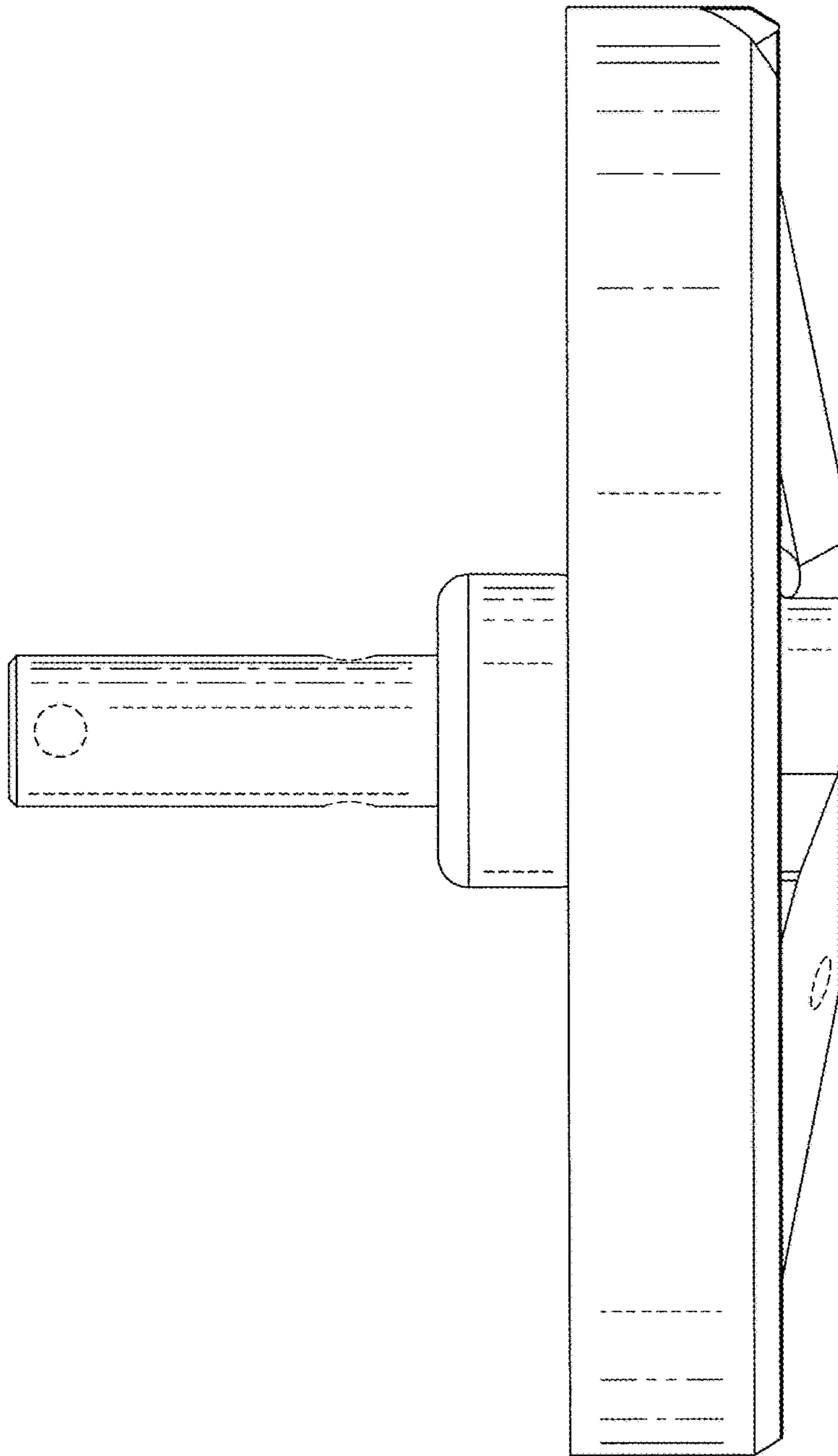


Fig. 4

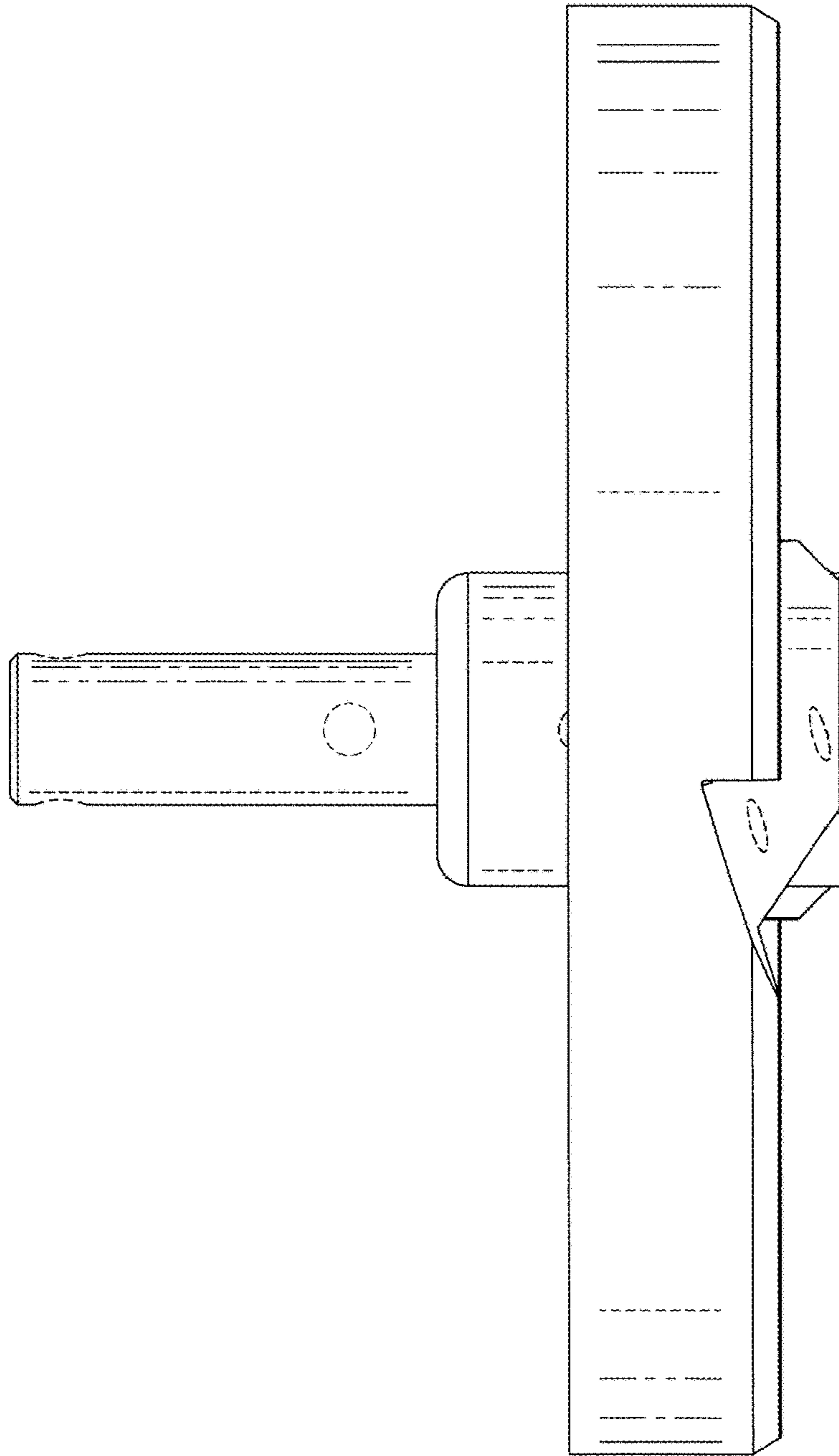


Fig. 5

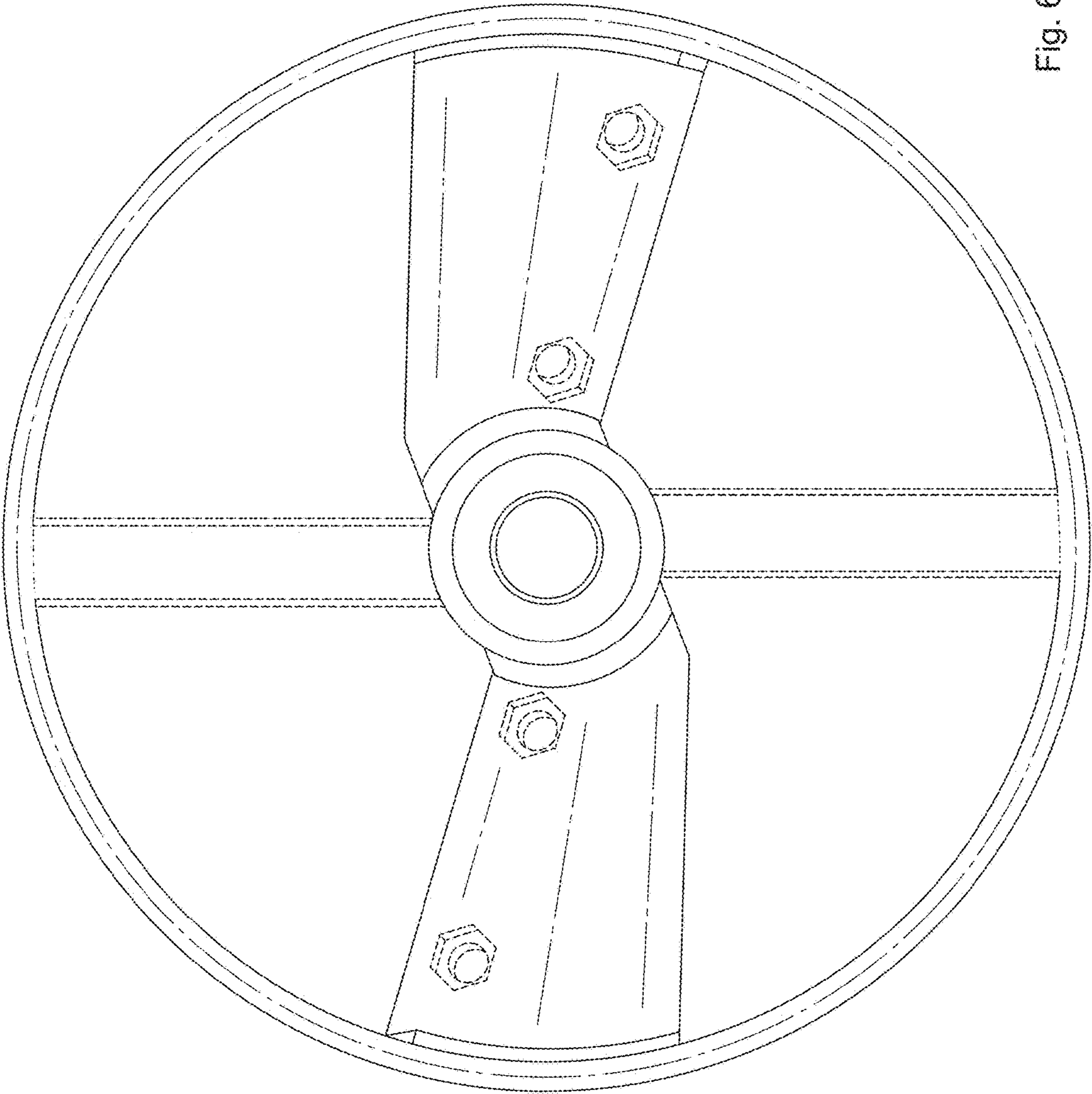


Fig. 6

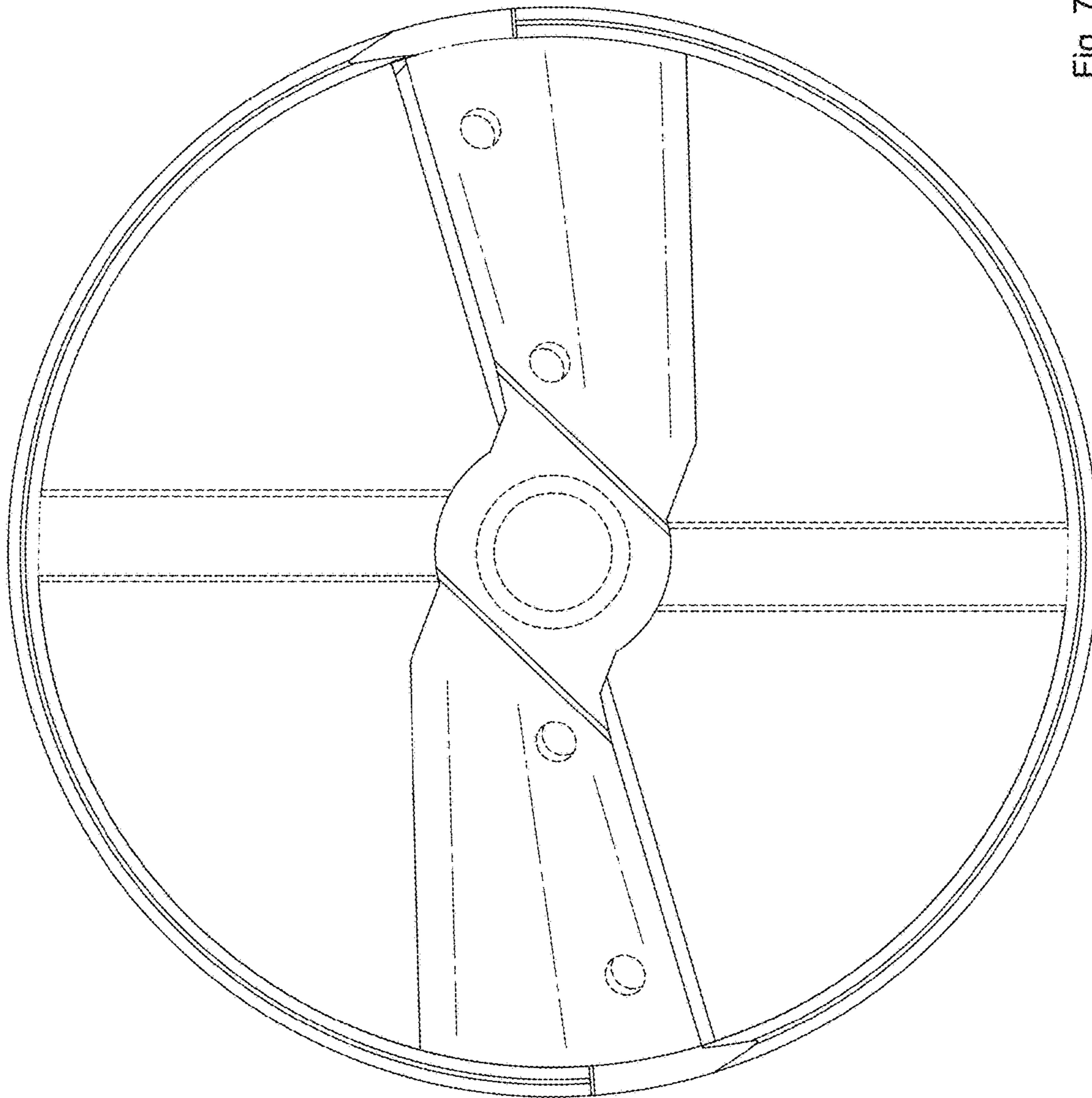


Fig. 7

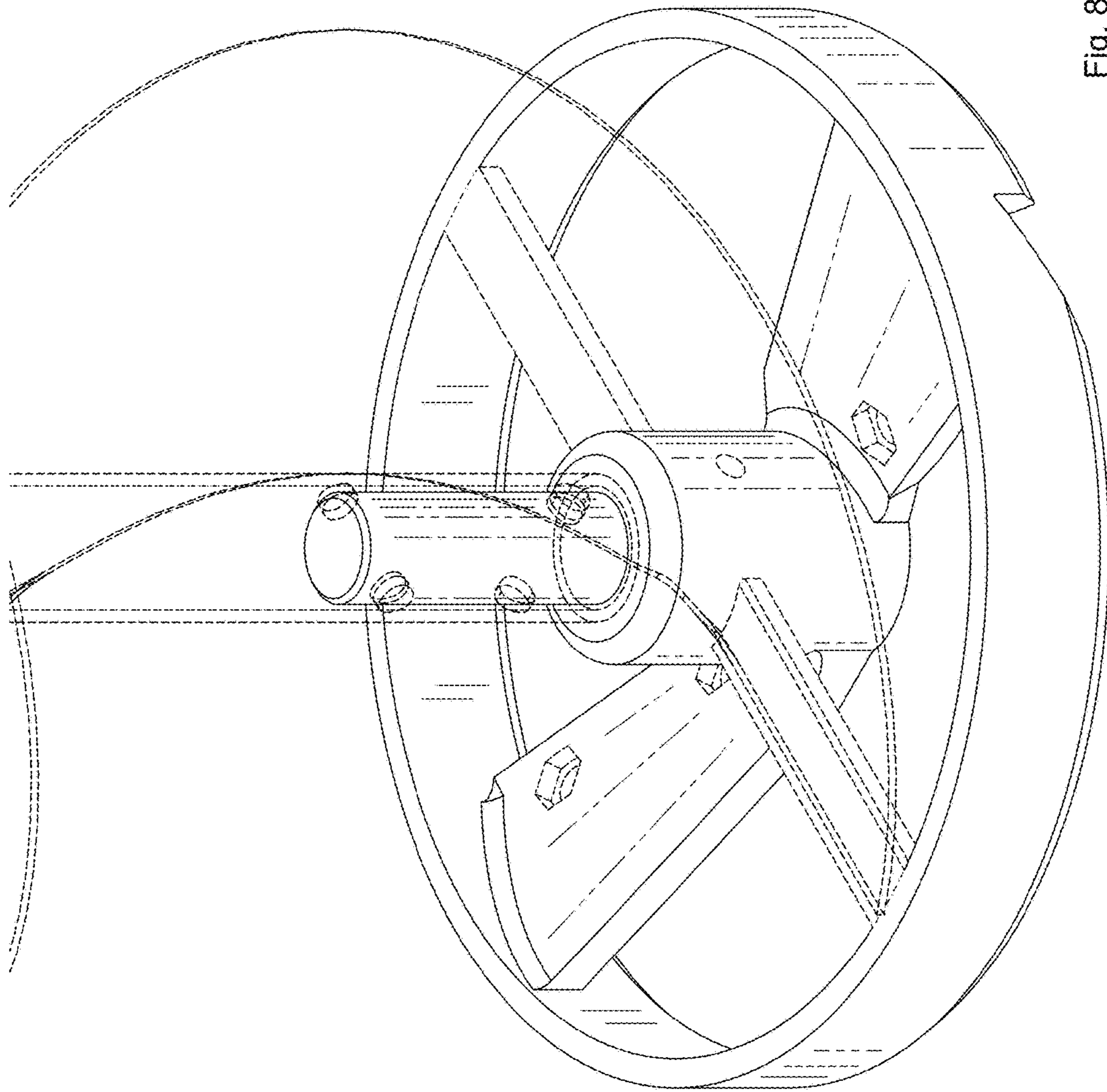


Fig. 8