



US00D856385S

(12) **United States Design Patent** (10) **Patent No.:** **US D856,385 S**  
**Horstmann et al.** (45) **Date of Patent:** **\*\* Aug. 13, 2019**

(54) **HOOD CONNECTOR** 2009/0070998 A1\* 3/2009 Follmann ..... H01R 4/36  
 29/874  
 (71) Applicant: **HARTING Electric GmbH & Co.** 2009/0220200 A1\* 9/2009 Sheau Tung Wong .....  
**KG, Espelkamp (DE)** G02B 6/3878  
 385/89  
 (72) Inventors: **Jens Horstmann, Espelkamp (DE);** 2016/0248189 A1\* 8/2016 Arnesson ..... H01R 24/22  
**Marcus Göttig, Zhuhai (CN)** 2016/0285194 A1\* 9/2016 Herbrechtsmeier . H01R 13/506  
 2016/0344147 A1\* 11/2016 Arnesson ..... H02G 3/083  
 (73) Assignee: **HARTING ELECTRIC GMBH &** 2018/0241150 A1\* 8/2018 Hara ..... H01R 13/4362  
**CO. KG, Espelkamp (DE)** 2018/0254578 A1\* 9/2018 Herbrechtsmeier . H01R 13/506  
 2018/0277984 A1\* 9/2018 Hata ..... H01R 13/506

(\*\*) Term: **15 Years**

(21) Appl. No.: **29/594,262**

(22) Filed: **Feb. 16, 2017**

(30) **Foreign Application Priority Data**

Oct. 19, 2016 (EM) ..... 00342427400010004

(51) **LOC (12) Cl.** ..... **15-09**

(52) **U.S. Cl.**  
USPC ..... **D15/138**

(58) **Field of Classification Search**  
USPC ..... D15/122, 138  
CPC .. H01R 13/506; H01R 13/514; H01R 13/518;  
H01R 13/5812; H01R 13/6592  
See application file for complete search history.

(56) **References Cited**

**U.S. PATENT DOCUMENTS**

6,435,911 B1\* 8/2002 Payson ..... H01R 13/516  
 439/320  
 2004/0053534 A1\* 3/2004 Beneke ..... H01R 13/514  
 439/607.01

\* cited by examiner

*Primary Examiner* — Patricia A Palasik

(74) *Attorney, Agent, or Firm* — Seed IP Law Group LLP

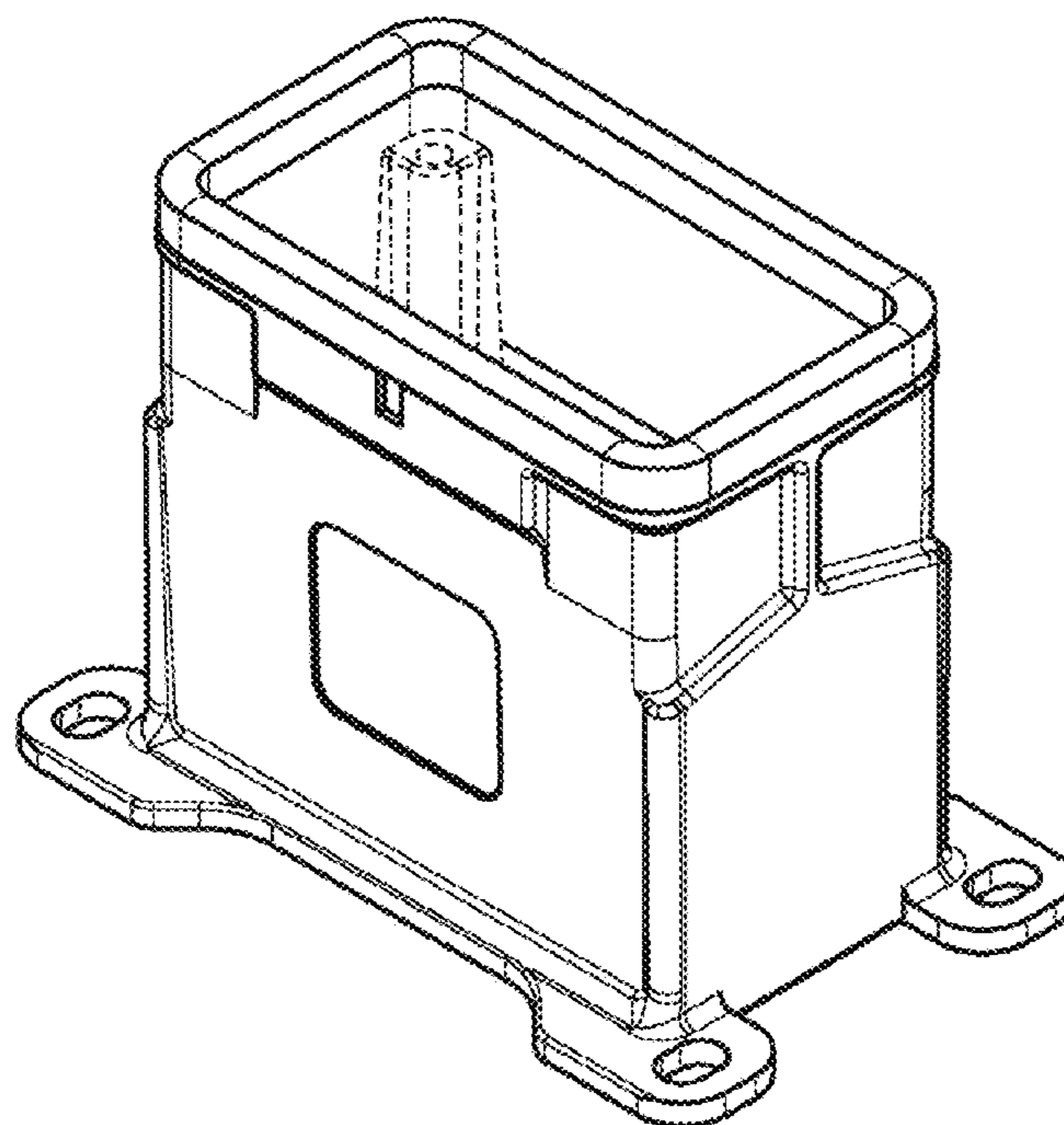
(57) **CLAIM**

The ornamental design for a hood connector, as shown and described.

**DESCRIPTION**

FIG. 1 is an upper right front axonometric view of a hood connector showing our new design.  
 FIG. 2 is a top plan view thereof.  
 FIG. 3 is a right side elevational view thereof.  
 FIG. 4 is a front elevational view thereof.  
 FIG. 5 is a left side elevational view thereof.  
 FIG. 6 is a rear elevational view thereof; and,  
 FIG. 7 is a bottom plan view thereof.  
 The broken lines in the drawings depict portions of the hood connector and form no part of the claim.

**1 Claim, 7 Drawing Sheets**



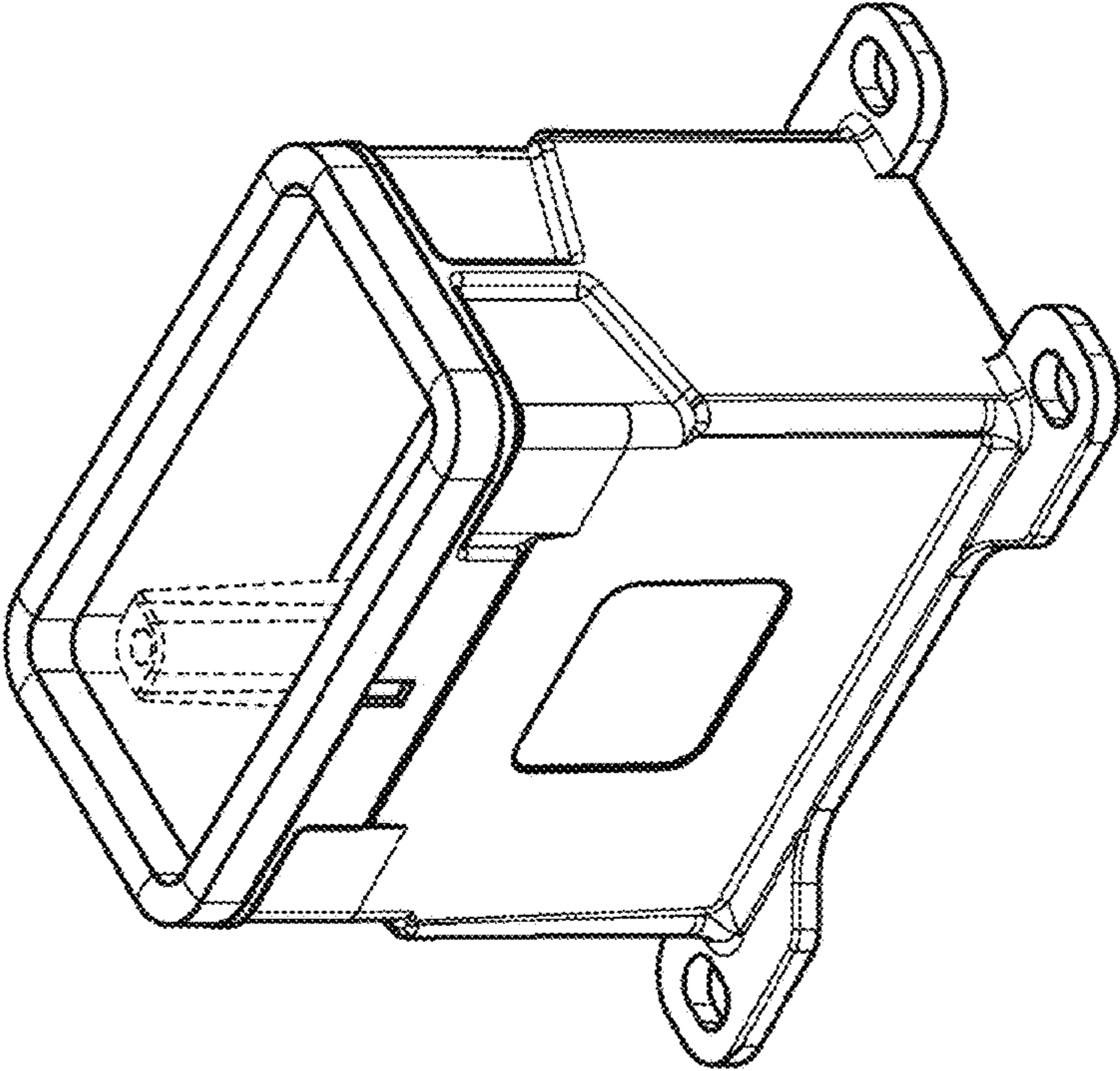


FIG. 1

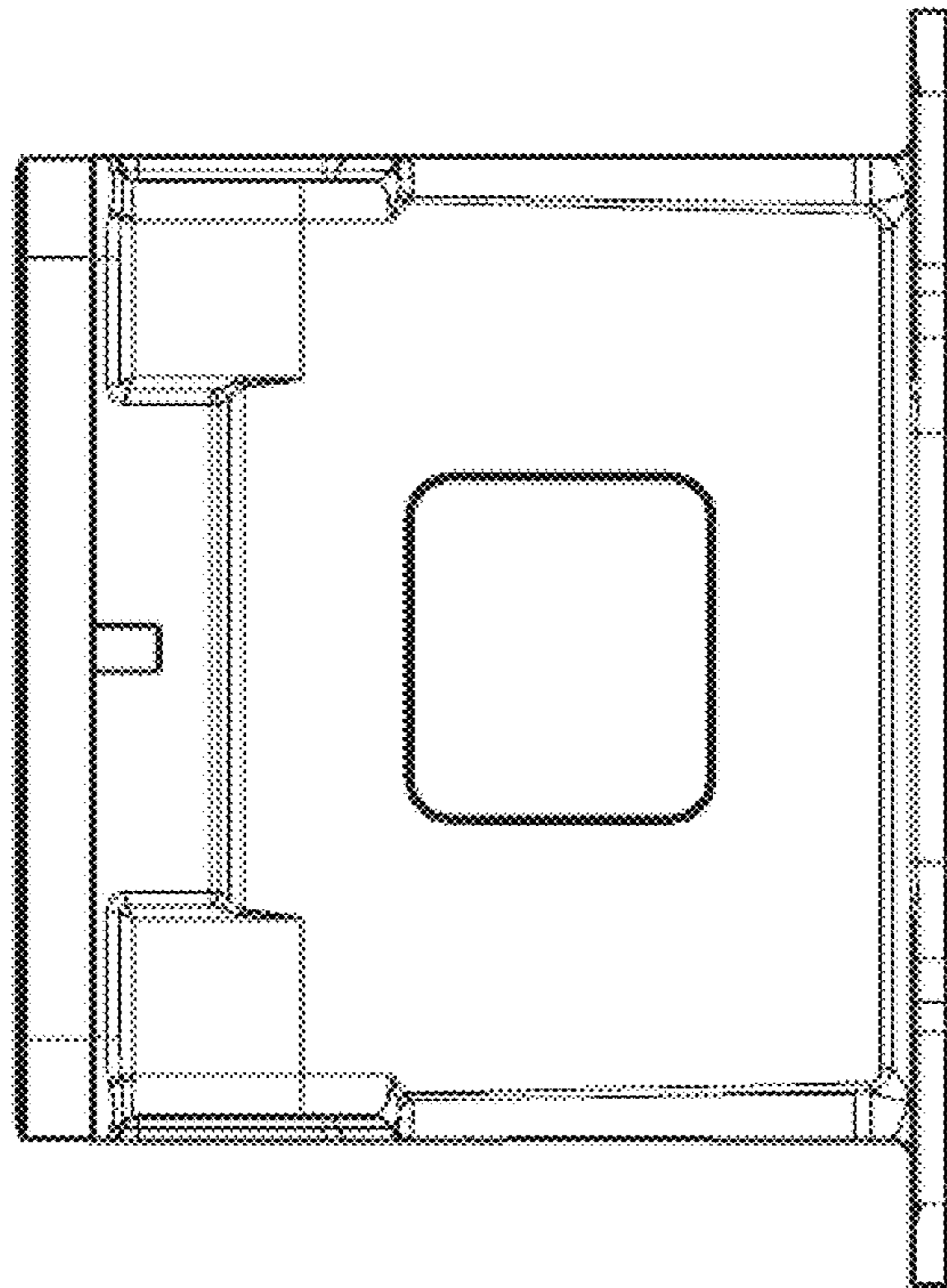


FIG. 2

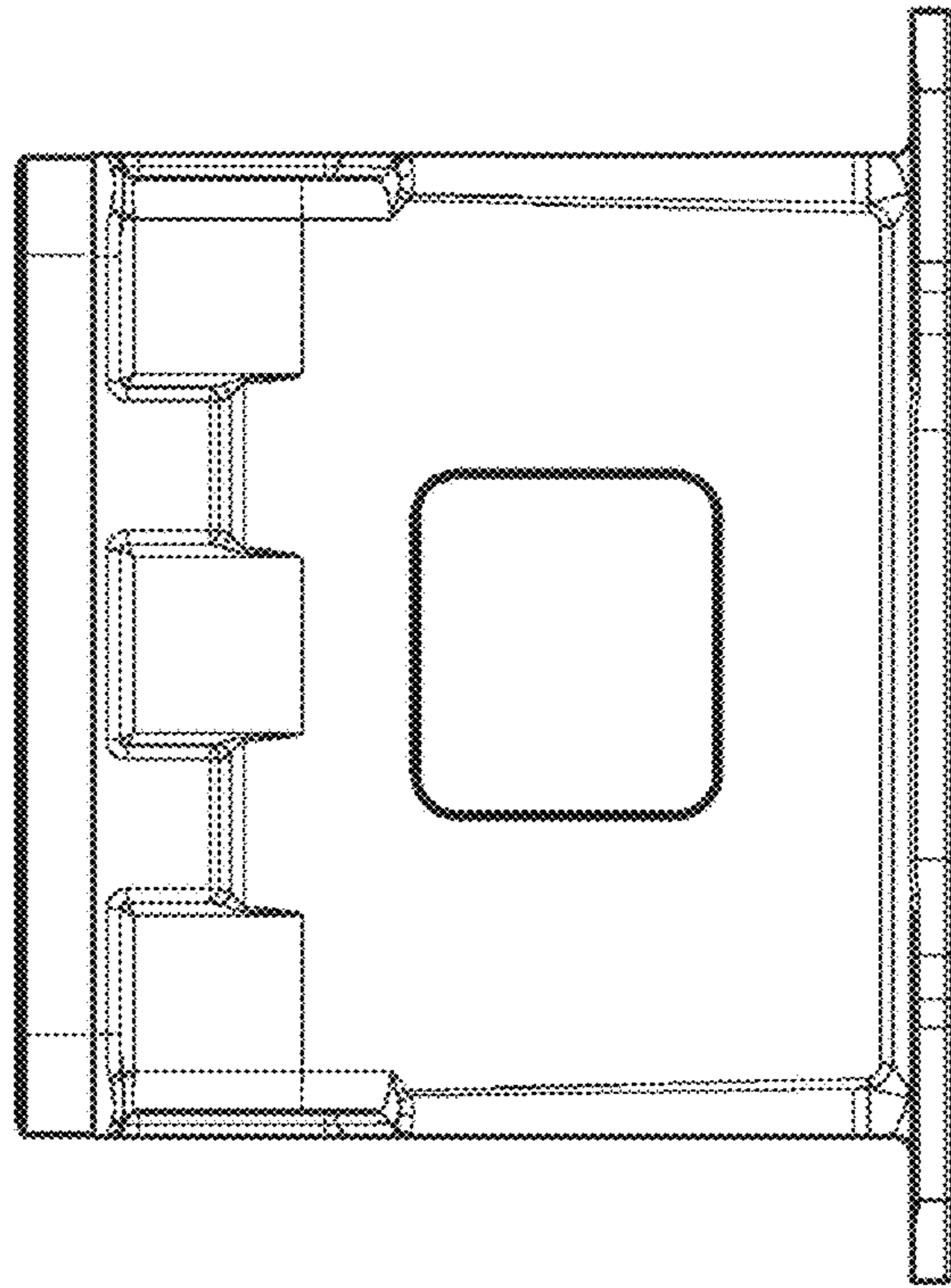


FIG. 3

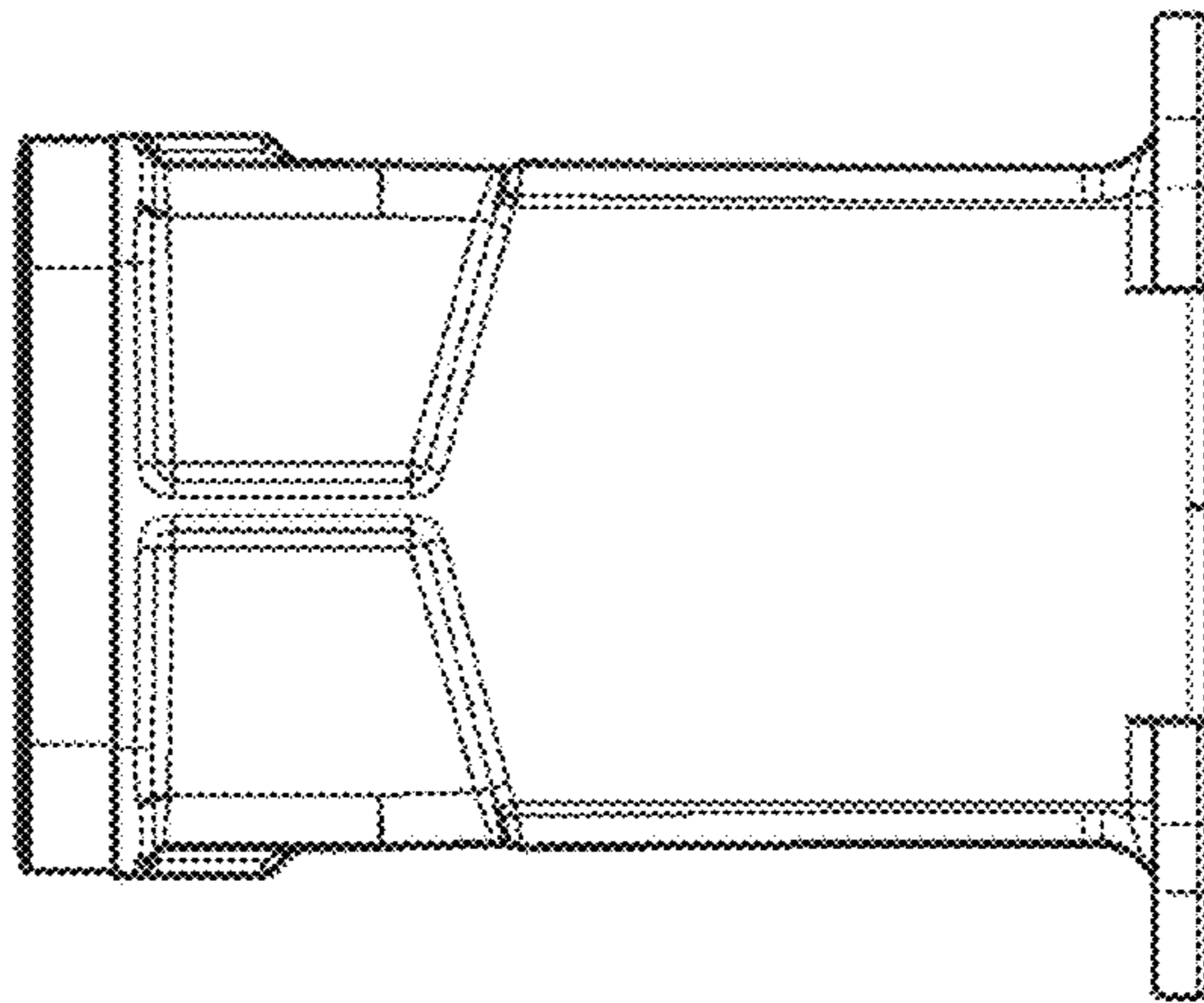


FIG. 4

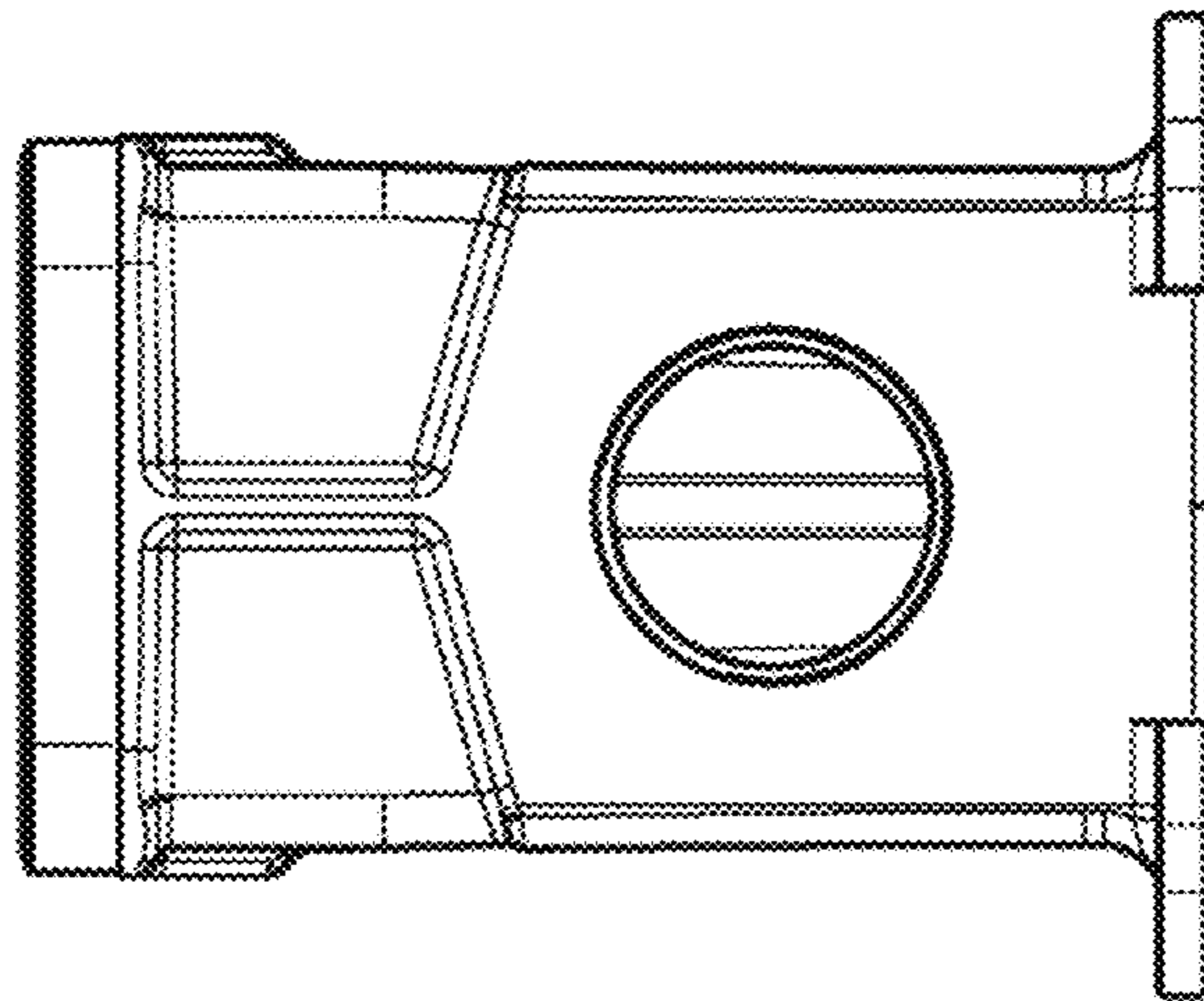


FIG. 5

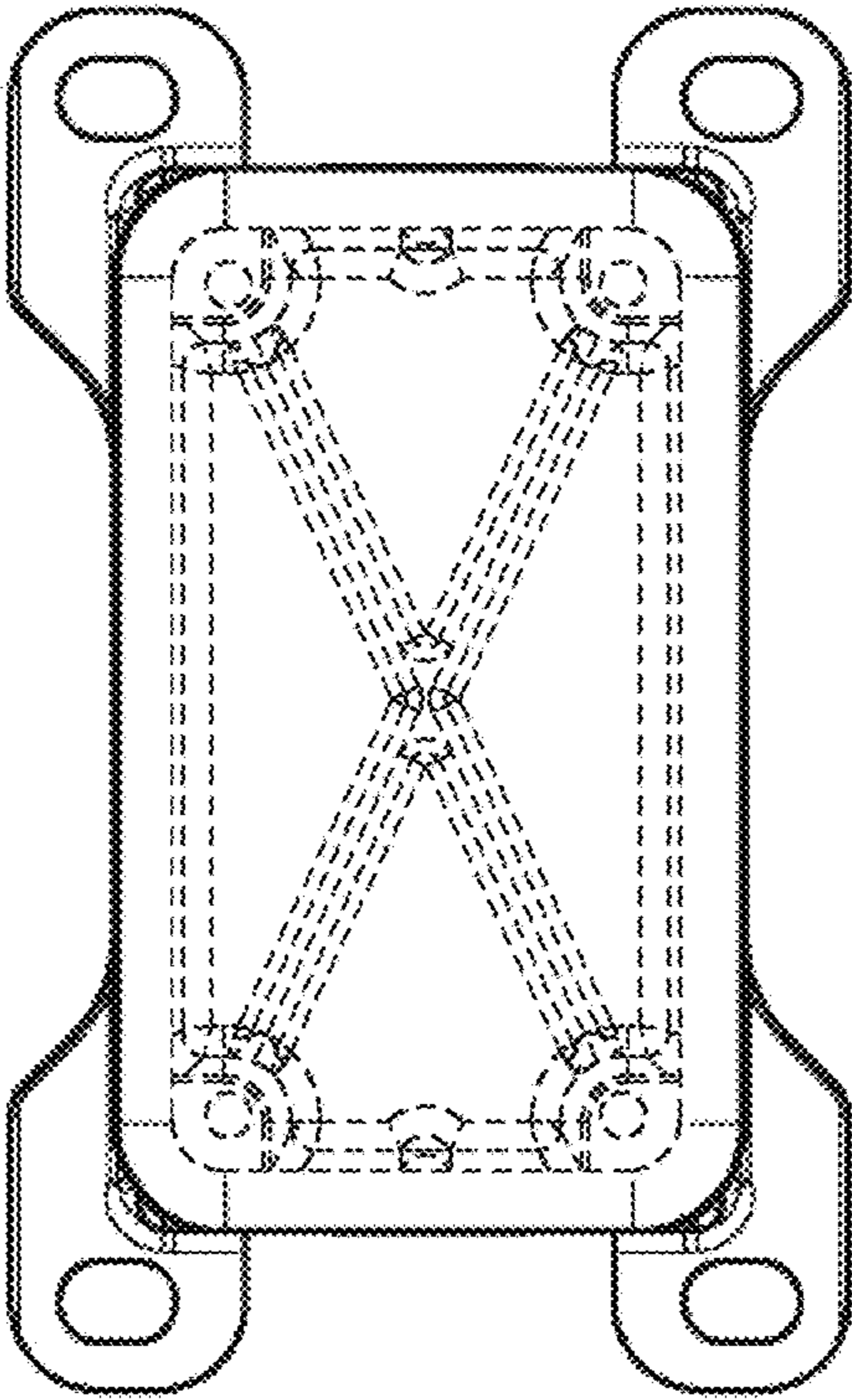


FIG. 6

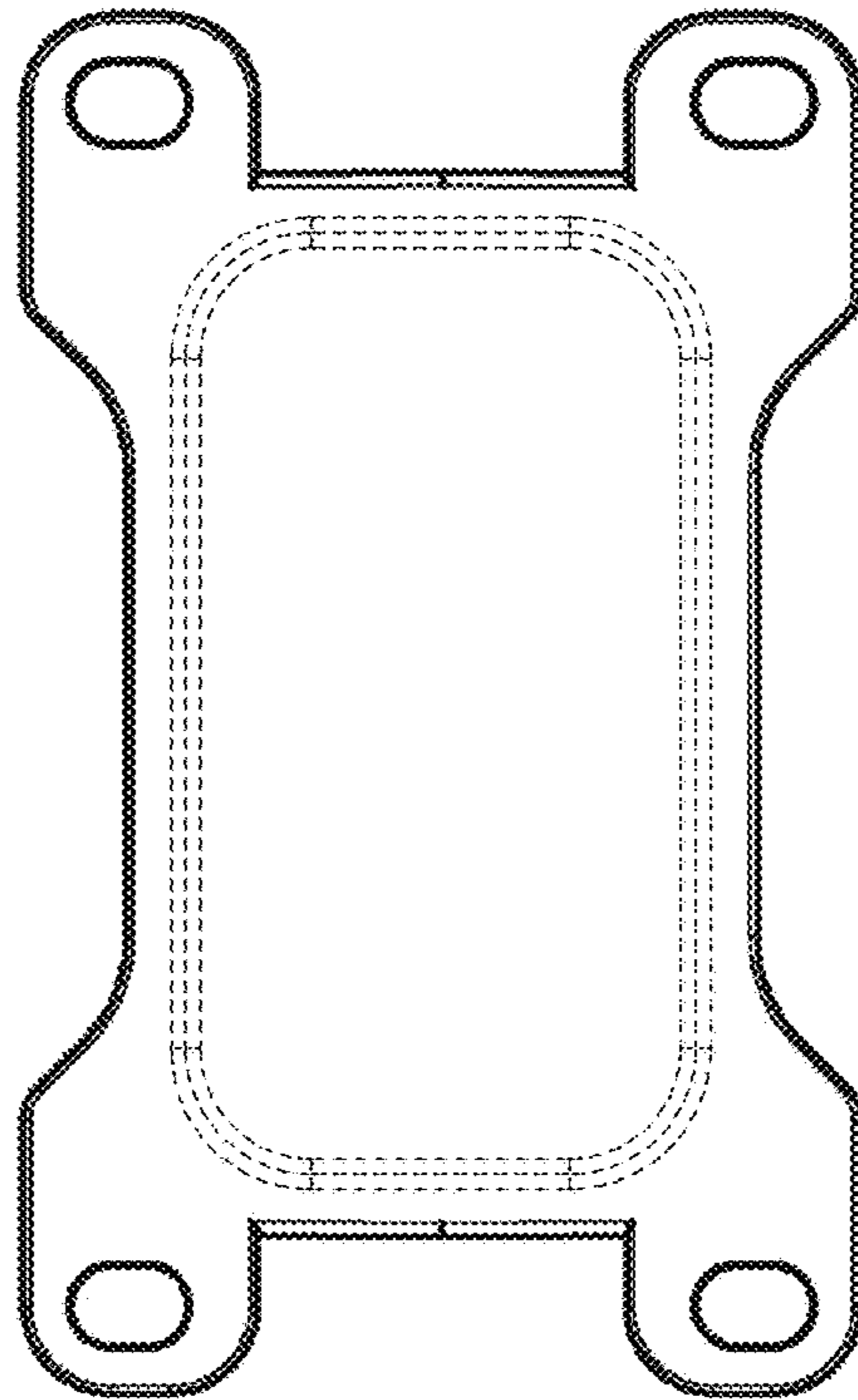


FIG. 7