



US00D856384S

(12) **United States Design Patent**
Takahashi et al.

(10) **Patent No.:** **US D856,384 S**

(45) **Date of Patent:** **** Aug. 13, 2019**

(54) **PORTABLE ELECTRIC CIRCULAR SAW**

(71) Applicant: **MAKITA CORPORATION**, Anjo-shi,
Aichi (JP)

(72) Inventors: **Koji Takahashi**, Anjo (JP); **Hiromu Goto**, Anjo (JP)

(73) Assignee: **MAKITA CORPORATION**, Anjo-Shi
(JP)

(**) Term: **15 Years**

(21) Appl. No.: **29/619,106**

(22) Filed: **Sep. 27, 2017**

(30) **Foreign Application Priority Data**

Mar. 28, 2017 (JP) 2017-006400

(51) **LOC (12) Cl.** **15-09**

(52) **U.S. Cl.**
USPC **D15/133**

(58) **Field of Classification Search**

USPC D8/61, 64-69; D15/133, 134

CPC B23B 45/048; B23D 45/14; B23D 45/048;

B23D 47/02; B27B 5/208; Y10T 83/7697

See application file for complete search history.

(56) **References Cited**

U.S. PATENT DOCUMENTS

D421,267 S *	2/2000	Price	D15/133
D425,083 S *	5/2000	Brickner, Jr.	D15/133
D435,569 S *	12/2000	Hollinger	D15/133
D441,771 S *	5/2001	Bean	D15/133
D454,577 S *	3/2002	Meredith	D15/133
D455,445 S *	4/2002	Bean	D15/133
D459,373 S *	6/2002	Hollinger	D15/133
D471,216 S *	3/2003	Hollinger	D15/133
D479,251 S *	9/2003	Wright	D15/133
D481,401 S *	10/2003	Shoene	D15/133
D490,826 S *	6/2004	Wu	D15/133

D513,271 S *	12/2005	Ozawa	D15/133
D518,495 S *	4/2006	Firth	D15/133
D520,033 S *	5/2006	Firth	D15/133

(Continued)

OTHER PUBLICATIONS

Makita General Catalogue 2017; Model No. SP6000; Japan.

Primary Examiner — Patricia A Palasik

(74) *Attorney, Agent, or Firm* — Global IP Counselors,
LLP

(57) **CLAIM**

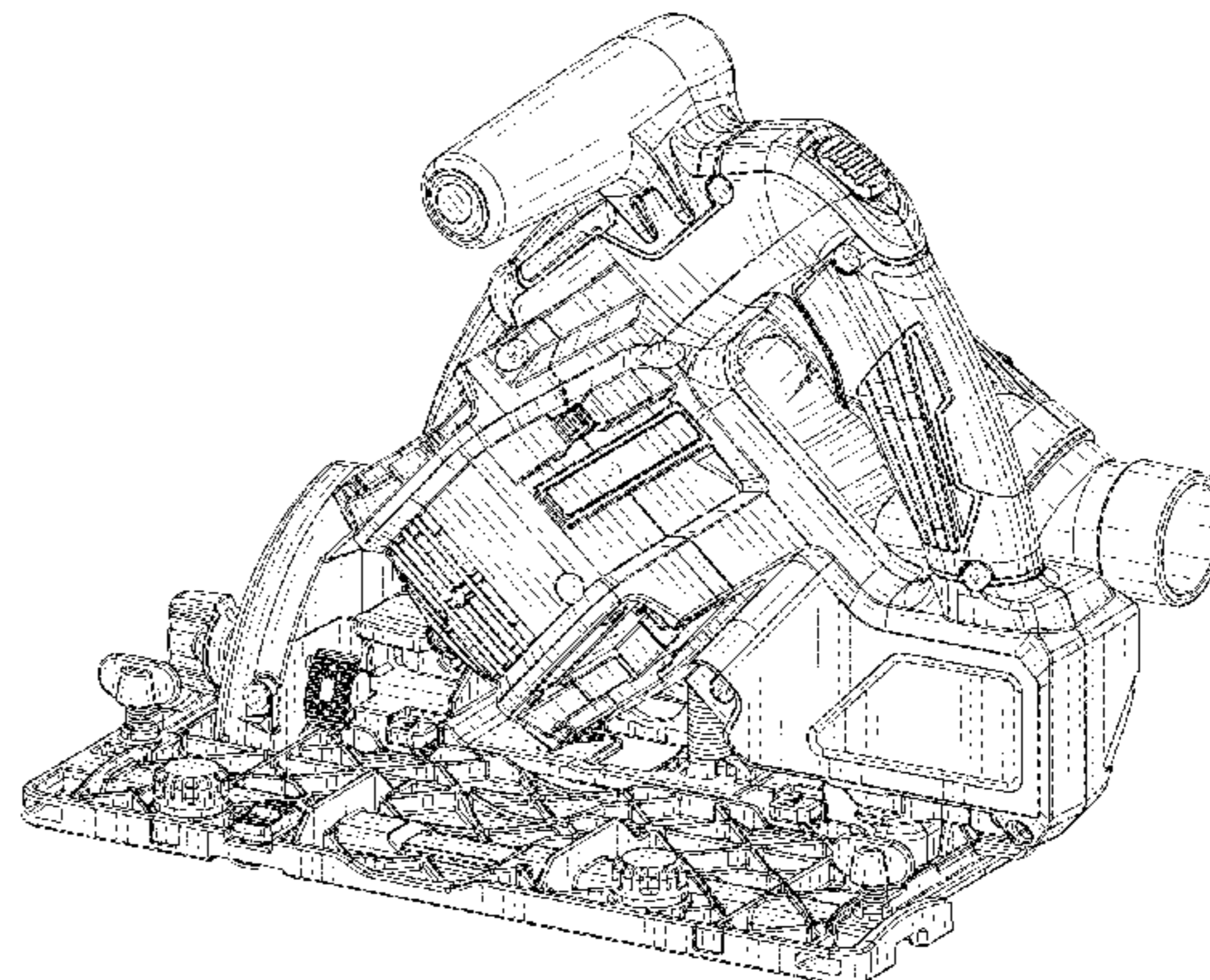
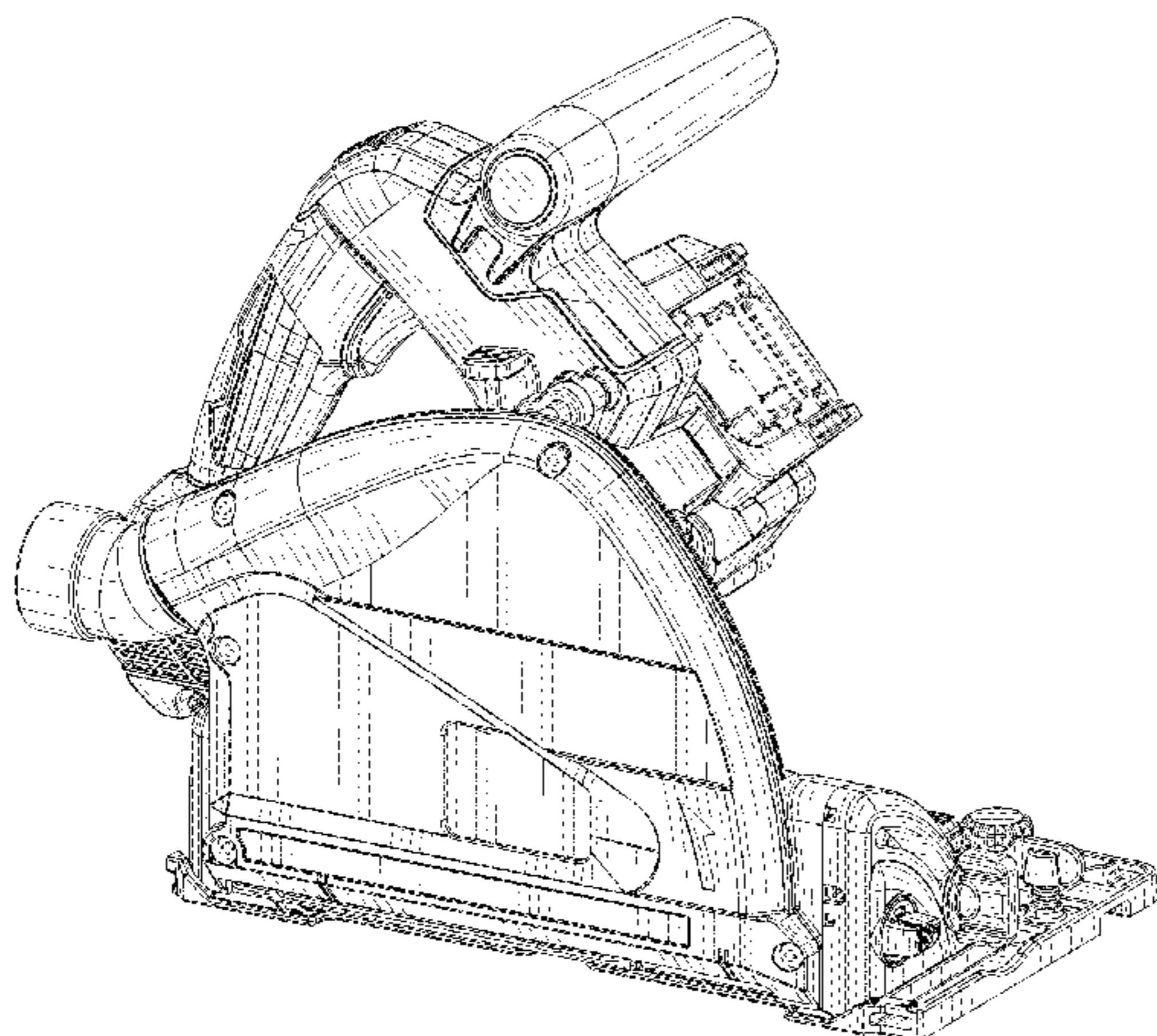
The ornamental design for a portable electric circular saw, as shown and described.

DESCRIPTION

FIG. 1 is a front perspective view of a portable electric circular saw in accordance with our new design;
 FIG. 2 is a rear perspective view of the portable electric circular saw in accordance with our new design;
 FIG. 3 is a front elevational view of the portable electric circular saw in accordance with our new design;
 FIG. 4 is a rear elevational view of the portable electric circular saw in accordance with our new design;
 FIG. 5 is a top plan view of the portable electric circular saw in accordance with our new design;
 FIG. 6 is a bottom plan view of the portable electric circular saw in accordance with our new design;
 FIG. 7 is a right side elevational view of the portable electric circular saw in accordance with our new design;
 FIG. 8 is a left side elevational view of the portable electric circular saw in accordance with our new design; and,
 FIG. 9 is a front perspective view of the portable electric circular saw in accordance with our new design showing when a rechargeable battery is attached to the portable electric circular saw.

The broken line showing of environment structures in the drawings forms no part of the claimed design.

1 Claim, 9 Drawing Sheets



(56)

References Cited

U.S. PATENT DOCUMENTS

D532,430 S *	11/2006	Firth	D15/133
D535,670 S *	1/2007	Firth	D15/133
D547,338 S *	7/2007	Firth	D15/133
D626,159 S *	10/2010	Jebb	D15/133
D649,568 S *	11/2011	Zhou	D15/133
D666,639 S *	9/2012	Rees	D15/133
D686,645 S *	7/2013	Rees	D15/133
D688,714 S *	8/2013	Firth	D15/133
D704,235 S *	5/2014	Liu	B23D 45/048
				D15/133
D757,830 S *	5/2016	Elder	D15/133
2006/0011033 A1 *	1/2006	Rossetti	B27B 27/08
				83/471.3
2009/0235794 A1 *	9/2009	Inai	B23D 45/048
				83/397

* cited by examiner

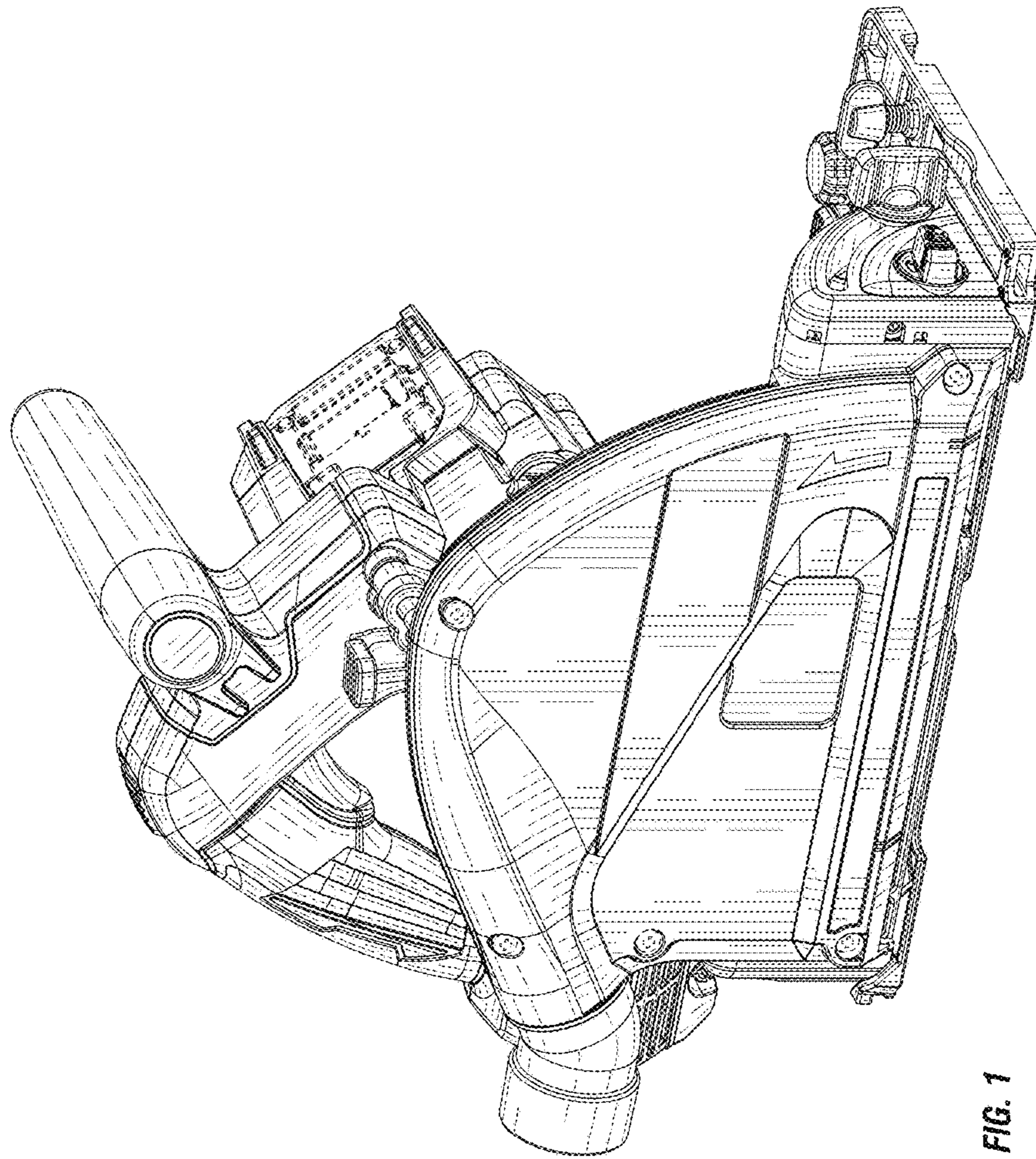


FIG. 1

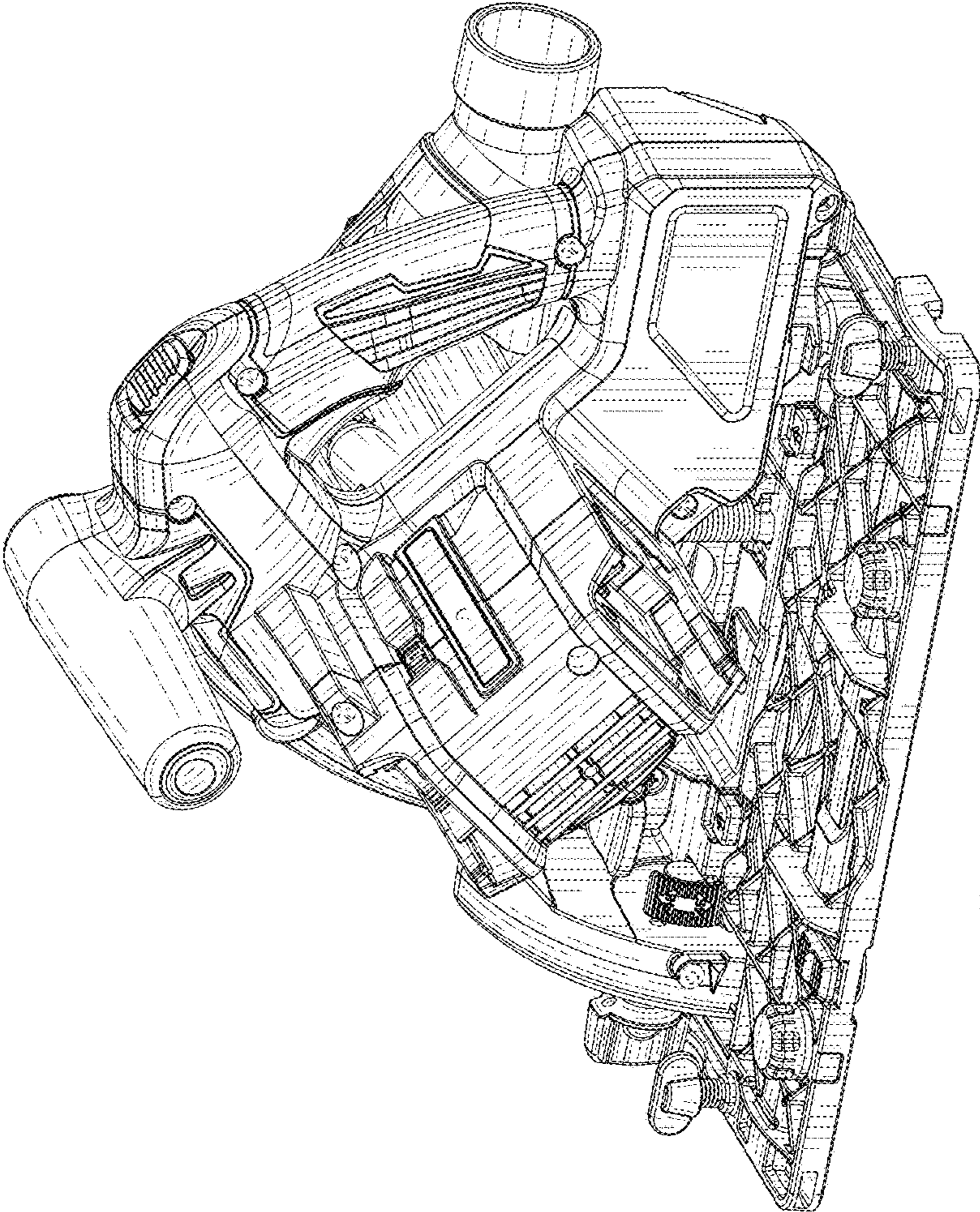


FIG. 2

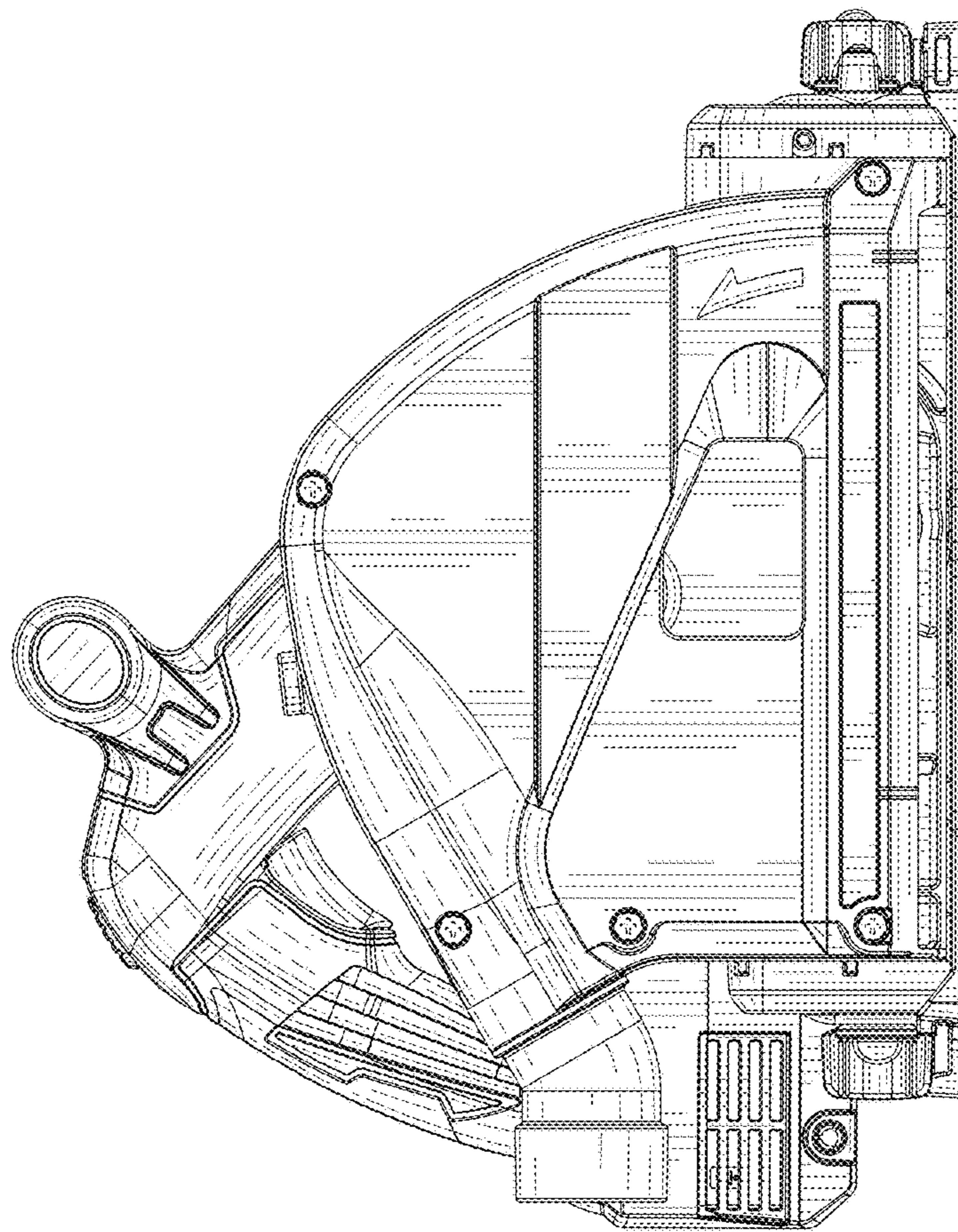


FIG. 3

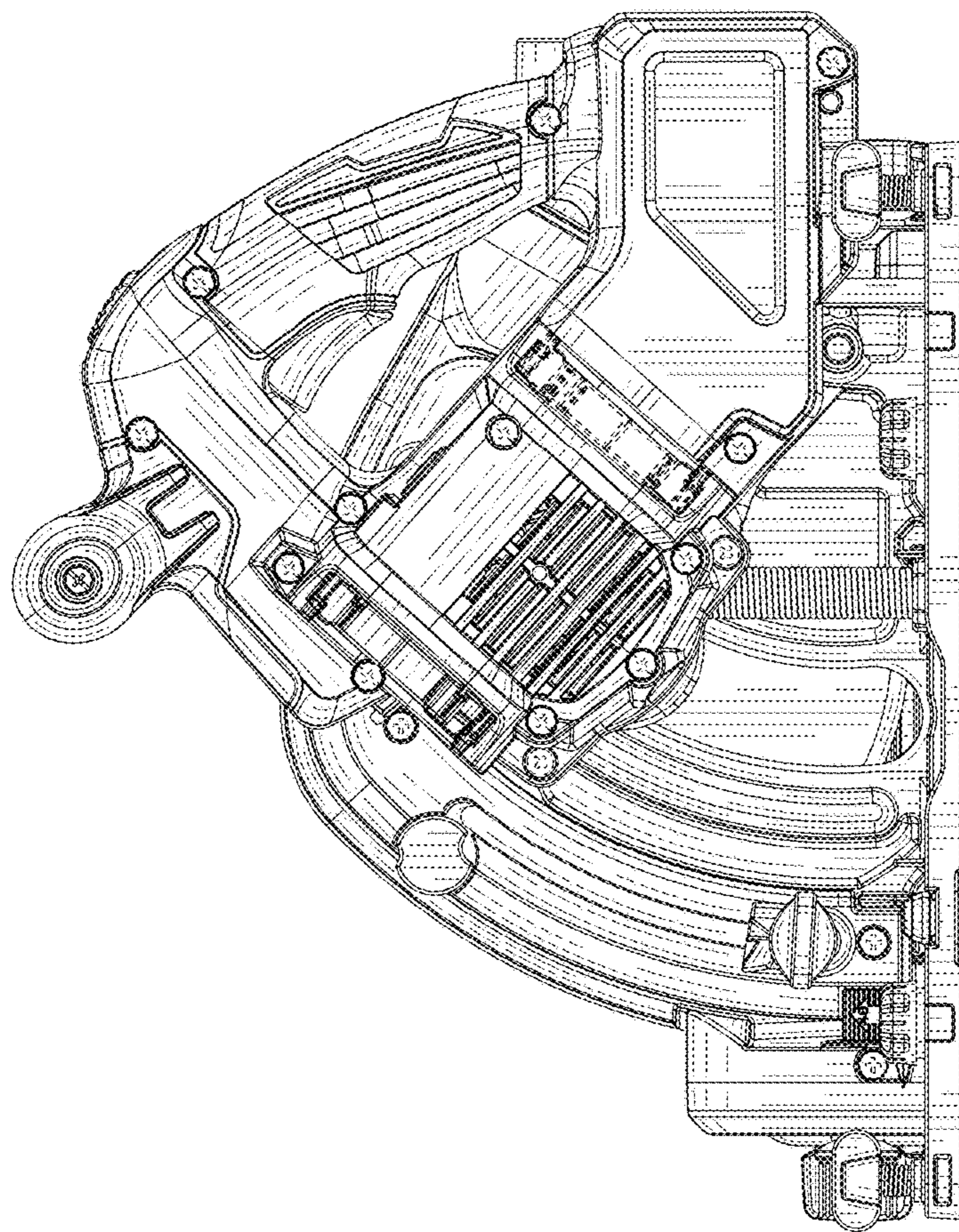


FIG. 4

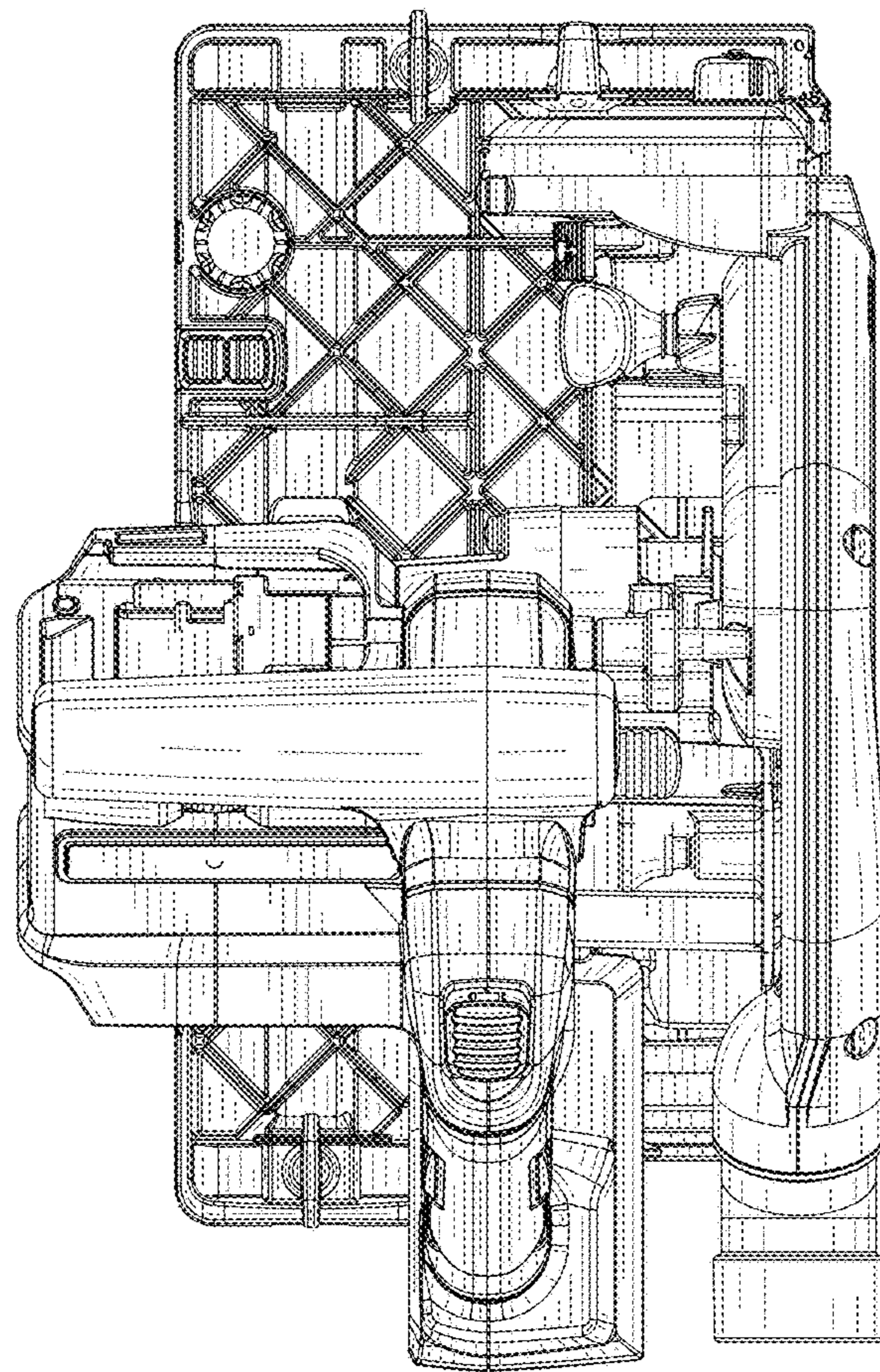


FIG. 5

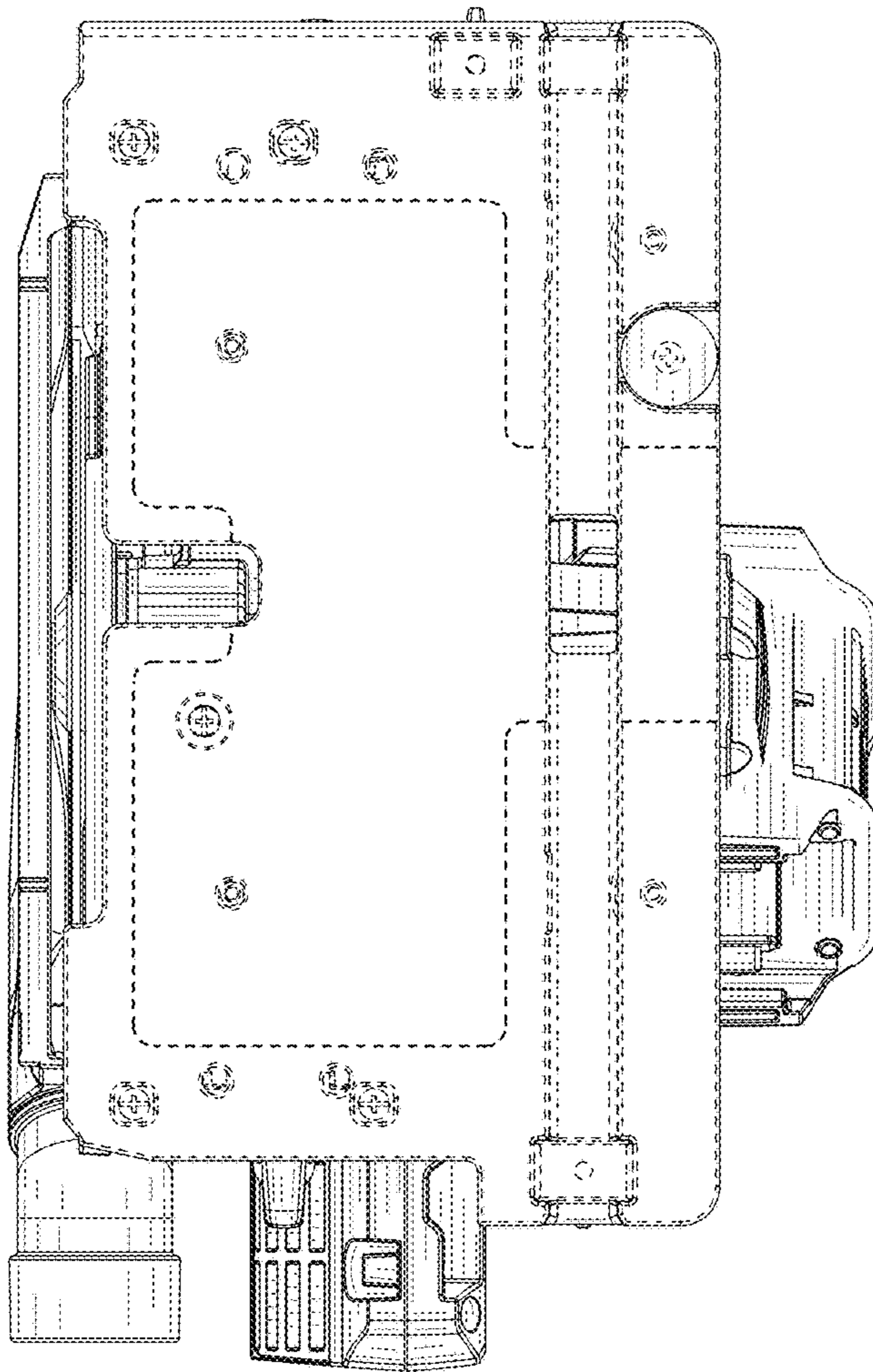


FIG. 6

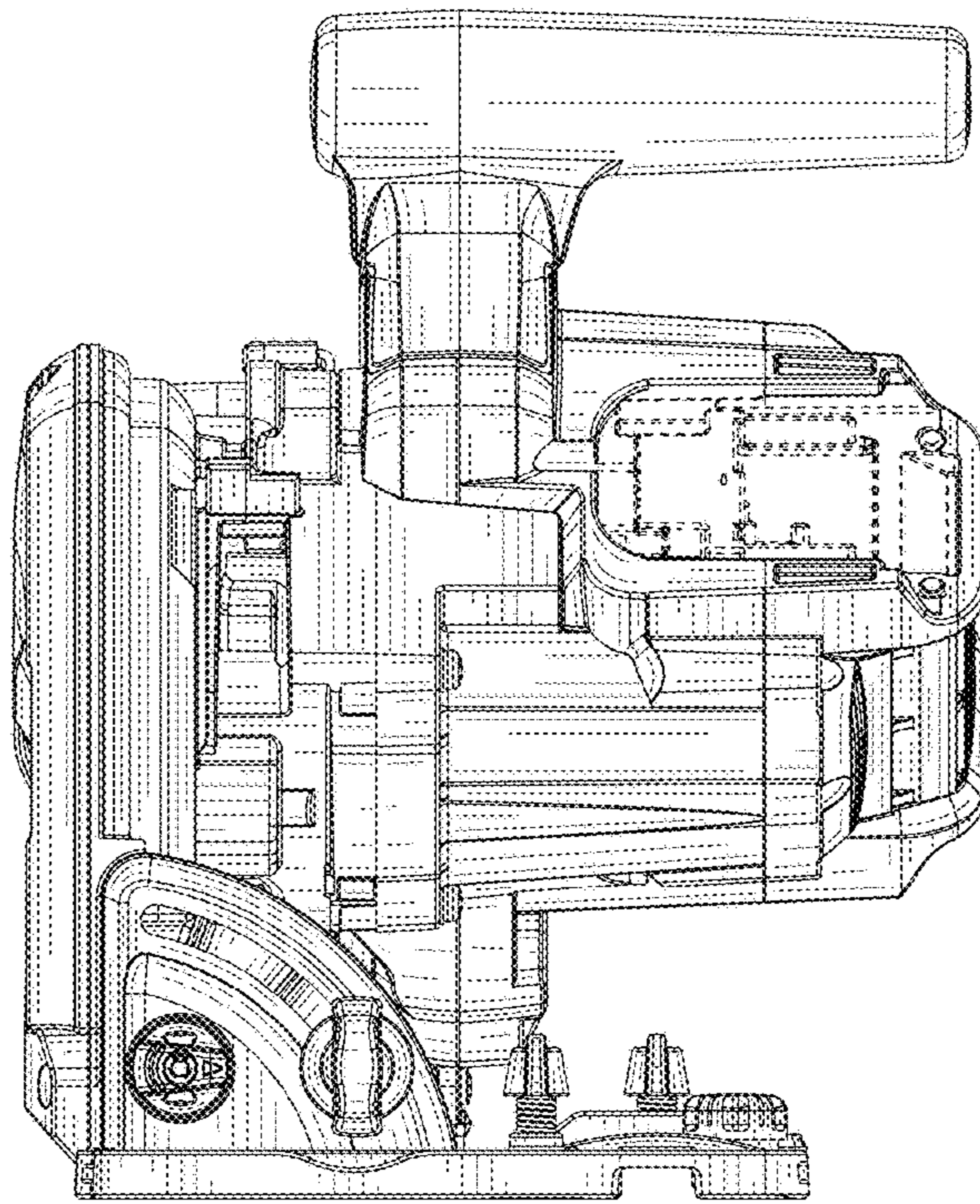


FIG. 7

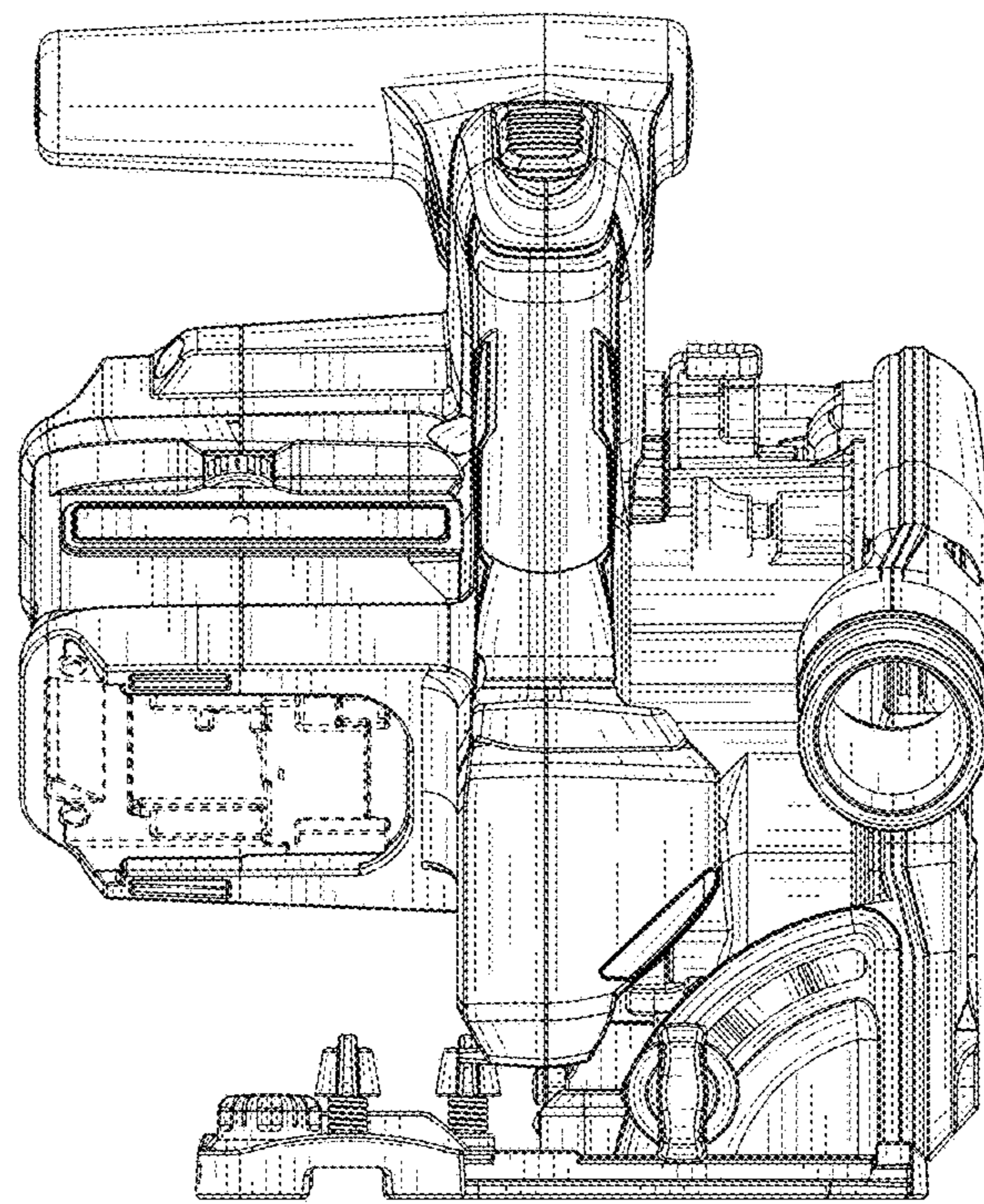


FIG. 8

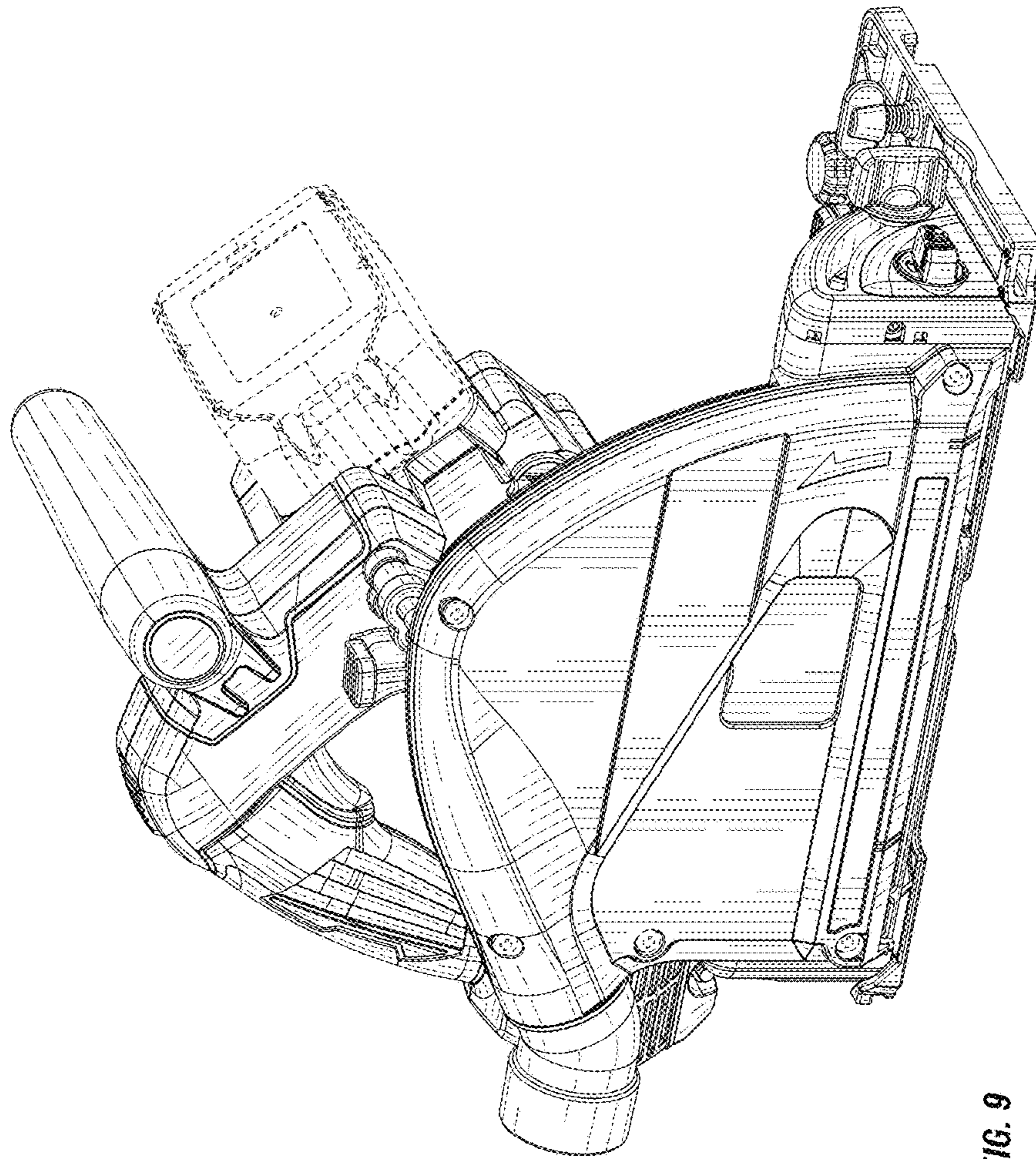


FIG. 9