



US00D856381S

(12) **United States Design Patent**
Ninomiya et al.

(10) **Patent No.:** **US D856,381 S**
(45) **Date of Patent:** **** Aug. 13, 2019**

(54) **CONSOLE BOX FOR CONSTRUCTION MACHINE**

FOREIGN PATENT DOCUMENTS

(71) Applicant: **Hitachi Construction Machinery Co., Ltd.**, Taito-ku, Tokyo (JP)

JP D 1381368 S 2/2013
JP D 1383187 S 3/2013

(72) Inventors: **Atsushi Ninomiya**, Tokyo (JP); **Yusuke Daimon**, Tokyo (JP); **Katsumi Usami**, Tokyo (JP); **Ei Takahashi**, Ibaraki (JP); **Takeo Manabe**, Ibaraki (JP)

OTHER PUBLICATIONS

Ninomiya et al., Design U.S. Appl. No. 29/648,589, filed May 22, 2018.

(Continued)

(73) Assignee: **Hitachi Construction Machinery Co., Ltd.**, Tokyo (JP)

Primary Examiner — Mark A Goodwin

(74) *Attorney, Agent, or Firm* — Crowell & Moring LLP

(**) Term: **15 Years**

(57) **CLAIM**

The ornamental design for a console box for construction machine, as shown and described.

(21) Appl. No.: **29/648,596**

DESCRIPTION

(22) Filed: **May 22, 2018**

This application contains subject matter related to the following co-pending U.S. design patent applications: Application Ser. No. 29/648,589, filed herewith and entitled "Seat for Operator Cab for Construction Machine"; Application Ser. No. 29/648,594, filed herewith and entitled "Console Box for Construction Machine"; and Application Ser. No. 29/648,585, filed herewith and entitled "Air Conditioning Duct Cover With Monitor for Construction Machine".

(30) **Foreign Application Priority Data**

Nov. 22, 2017 (JP) 2017-026088

(51) **LOC (12) Cl.** **15-03**

(52) **U.S. Cl.**
USPC **D15/28; D15/17**

(58) **Field of Classification Search**
USPC D15/17, 28, 14, 15, 22-26, 31, 33;
D12/192; 180/69.24, 69.2, 69.21, 90,
(Continued)

FIG. 1 is a front, top and left side perspective view of a console box for construction machine according to the design;
FIG. 2 is a rear, top and right side perspective view thereof;
FIG. 3 is a front elevational view thereof;
FIG. 4 is a left side elevational view thereof;
FIG. 5 is a right side elevational view thereof;
FIG. 6 is a top plan view thereof;
FIG. 7 is a bottom plan view thereof;
FIG. 8 is a rear elevational view thereof; and,
FIG. 9 is an end view taken along line 9-9 of FIG. 3.

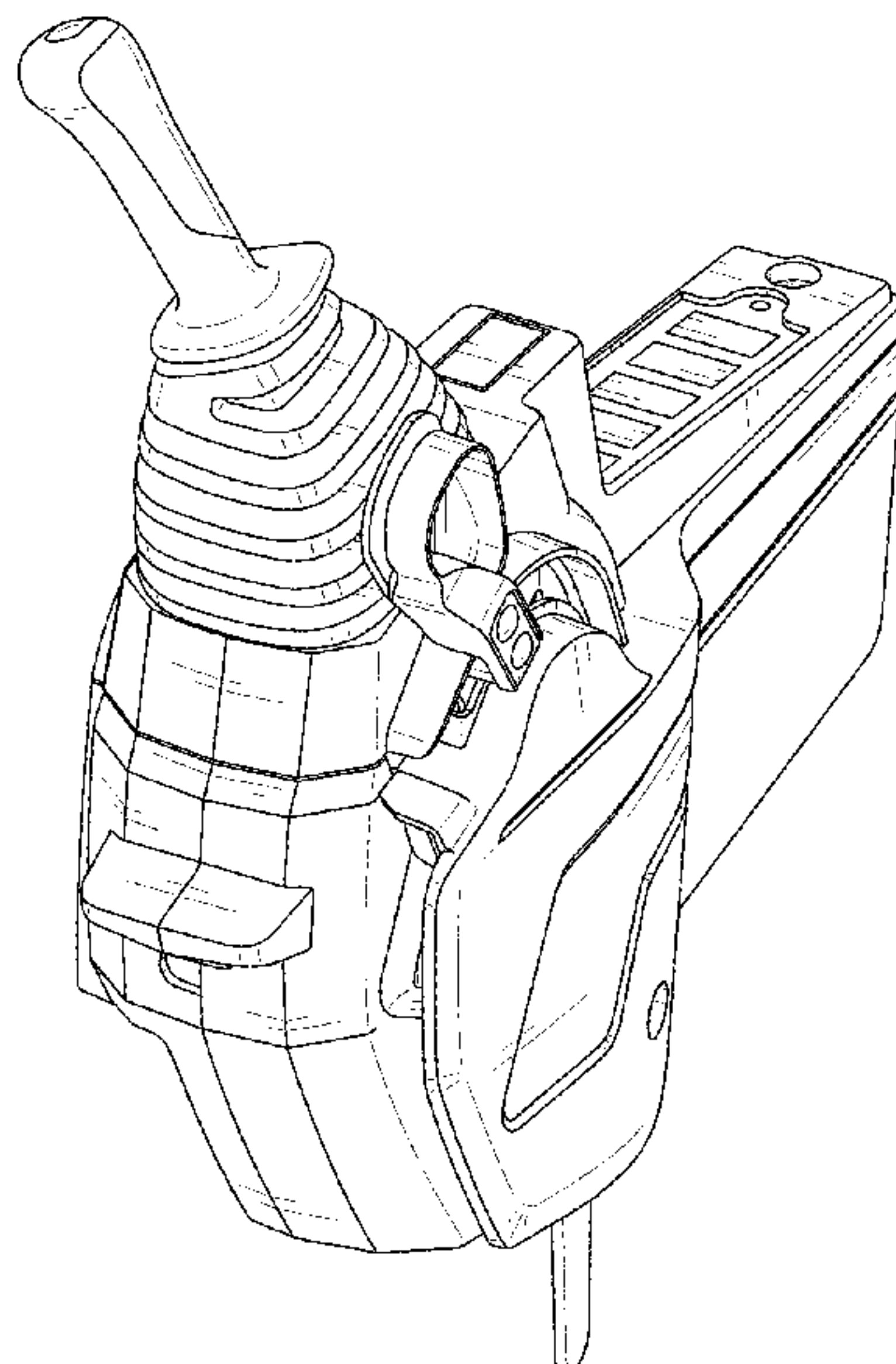
(56) **References Cited**

U.S. PATENT DOCUMENTS

4,126,202 A * 11/1978 Hem B60K 35/00
180/89.12
4,471,848 A * 9/1984 Skytoen B66F 9/20
180/90

(Continued)

1 Claim, 7 Drawing Sheets



(58) **Field of Classification Search**
 USPC 180/89.12, 900; 296/70, 30, 72, 191,
 296/192, 193.03
 CPC B62D 49/00; B60K 37/00; B60K 37/02;
 B60K 37/04; B60K 2350/928; B60Y
 2200/22
 See application file for complete search history.

(56) **References Cited**

U.S. PATENT DOCUMENTS

D308,131 S * 5/1990 Marcantonio D12/419
 D313,962 S * 1/1991 Haag D12/421
 D365,574 S * 12/1995 Westimayer D15/17
 D420,685 S * 2/2000 Muranen D15/30
 6,039,141 A * 3/2000 Denny B60N 2/797
 180/329
 D427,613 S * 7/2000 Altmann D15/28
 D428,022 S * 7/2000 Altmann D15/28
 D432,076 S * 10/2000 Stickles D12/419
 6,189,964 B1 * 2/2001 Henshaw B60N 2/38
 297/112
 D441,769 S * 5/2001 Surrige D12/415
 6,267,195 B1 * 7/2001 Takahasi B60K 23/00
 180/315
 6,634,453 B2 * 10/2003 Arthur B60N 2/797
 180/315
 6,675,508 B2 * 1/2004 Tamaru E02F 9/16
 180/333
 6,752,468 B2 * 6/2004 Eliasson B60P 1/283
 180/331
 6,942,282 B1 * 9/2005 Jacobs B62D 33/0617
 296/190.01
 D521,413 S * 5/2006 Katoh D12/1
 D546,841 S * 7/2007 McCarren, Jr. D15/28
 D593,134 S * 5/2009 Kuwae D15/17
 7,854,291 B2 * 12/2010 Akahane E02F 9/2004
 180/333

7,857,090 B2 * 12/2010 Ruhter E02F 9/16
 180/333
 7,913,798 B2 * 3/2011 Frett E02F 9/16
 180/333
 D636,410 S * 4/2011 Ono D15/28
 D636,794 S * 4/2011 Ono D15/28
 D640,293 S * 6/2011 Ono D15/28
 8,091,678 B2 * 1/2012 Rowan E02F 9/16
 180/320
 8,104,566 B2 * 1/2012 Harber E02F 9/16
 180/315
 D685,006 S 6/2013 Hagura et al.
 D685,007 S 6/2013 Tanaka et al.
 D697,534 S * 1/2014 Uchida D15/17
 D720,515 S * 12/2014 Warner D34/35
 D727,978 S * 4/2015 Higuchi D15/28
 D741,236 S * 10/2015 Schnering D12/195
 D745,573 S * 12/2015 Moore D15/17
 D762,740 S * 8/2016 Okuyama D15/28
 D783,686 S * 4/2017 Jilbert D15/28
 D786,313 S * 5/2017 Okuyama D15/28
 D813,916 S * 3/2018 Okuyama D15/28
 D816,728 S * 5/2018 Diebold D15/28
 D816,729 S * 5/2018 Diebold D15/28
 D816,730 S * 5/2018 Diebold D15/28
 D816,731 S * 5/2018 Diebold D15/28
 D819,706 S * 6/2018 Diebold D15/28
 D822,071 S * 7/2018 Jacobsthal D15/28
 D834,622 S * 11/2018 Fincato D15/28

OTHER PUBLICATIONS

Ninomiya et al., Design U.S. Appl. No. 29/648,594, filed May 22,
 2018.
 Ninomiya et al., Design U.S. Appl. No. 29/648,585, filed May 22,
 2018.

* cited by examiner

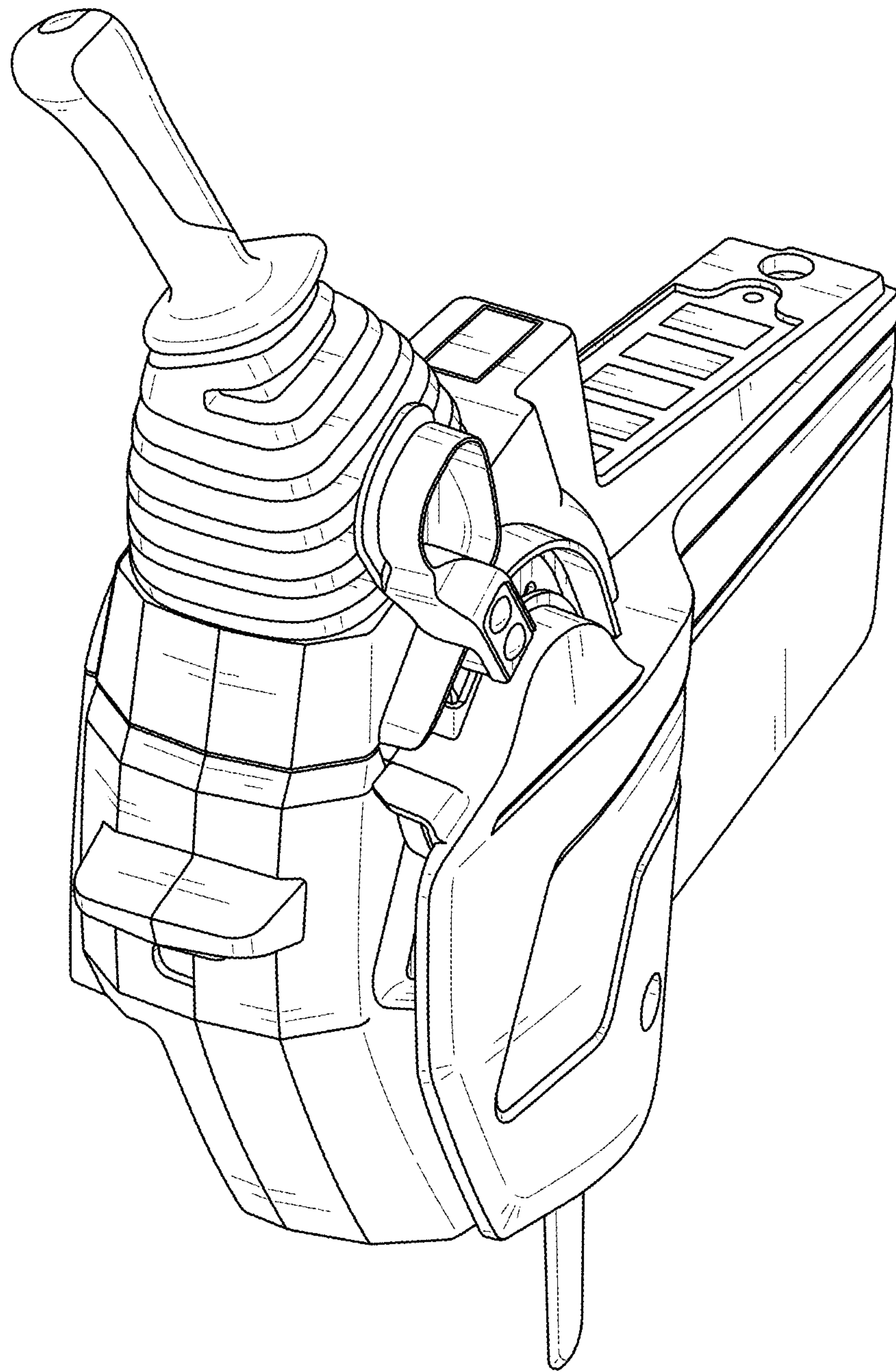


FIG. 1

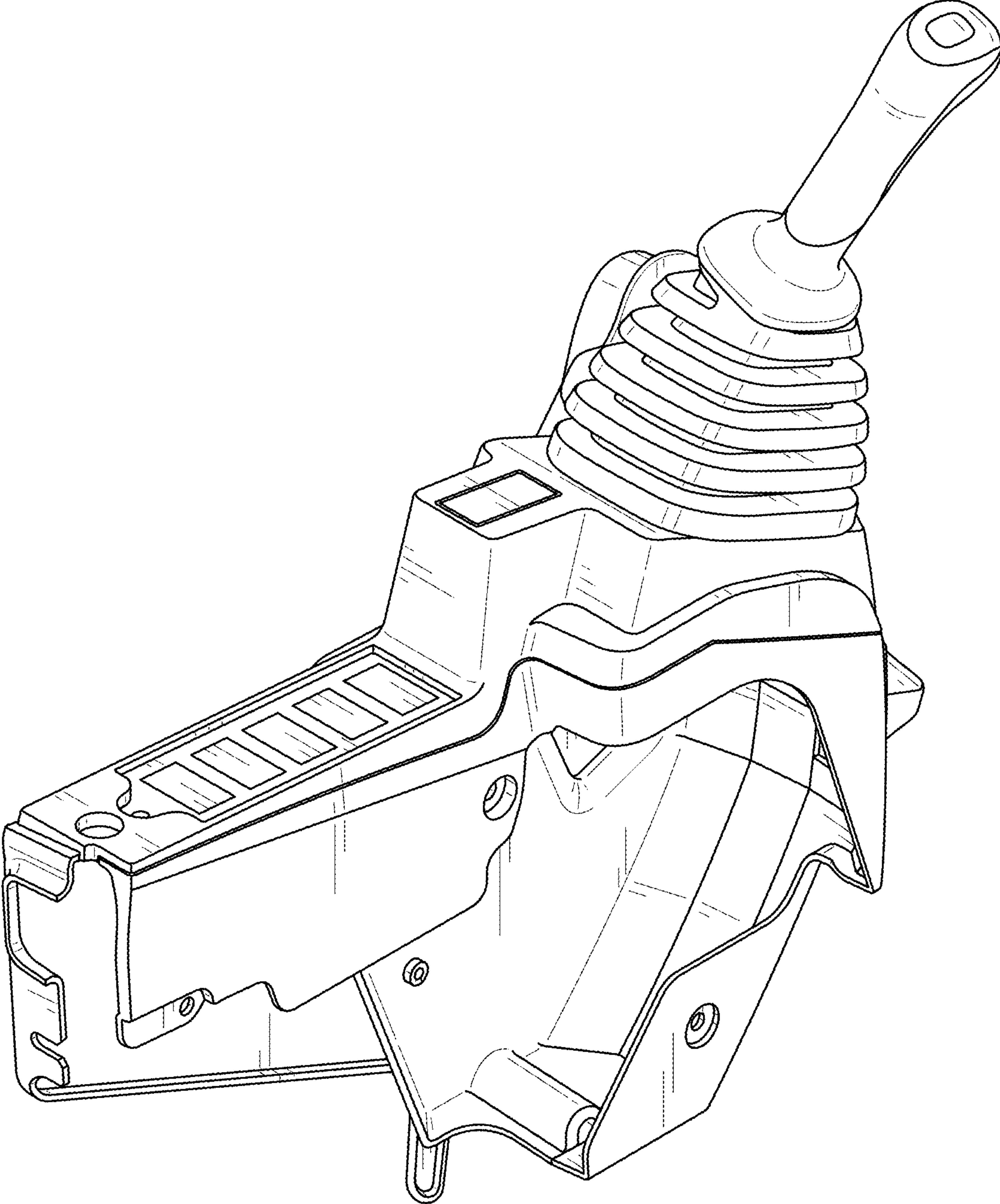


FIG. 2

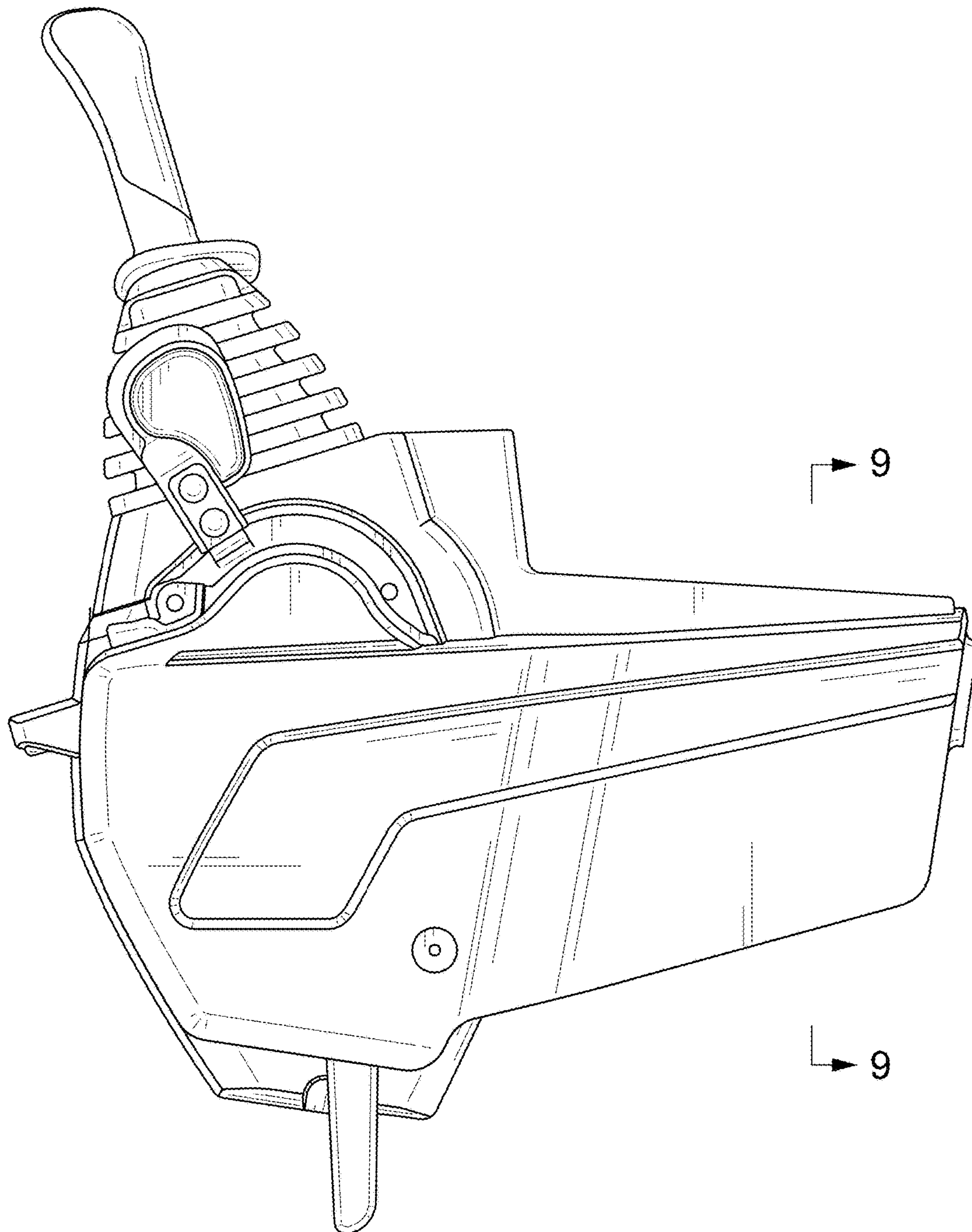


FIG. 3

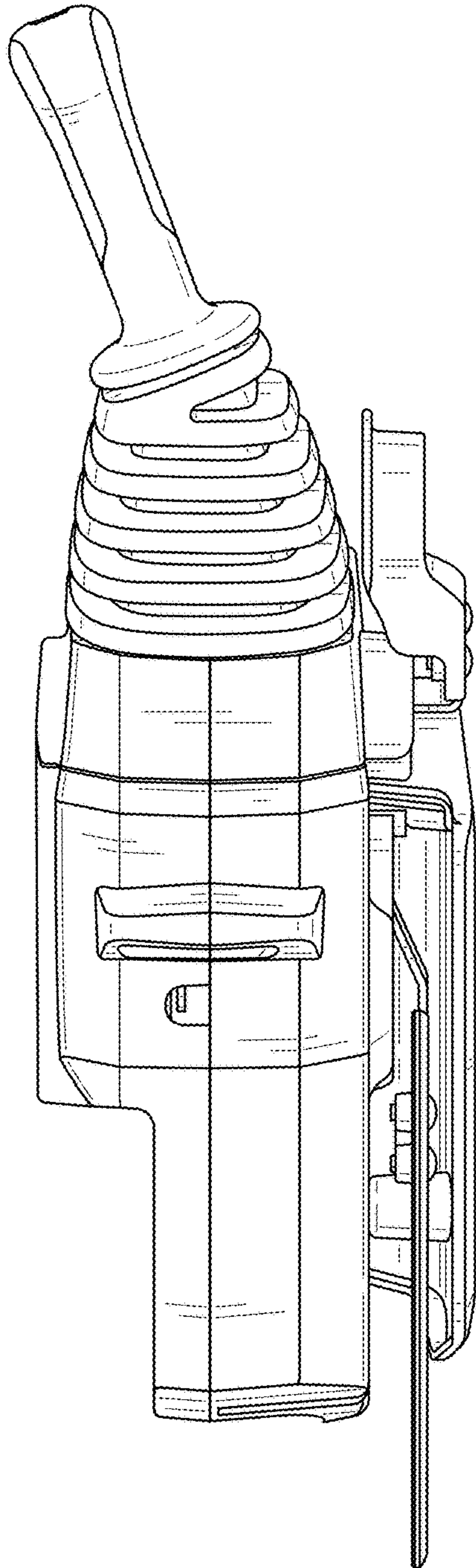


FIG. 4

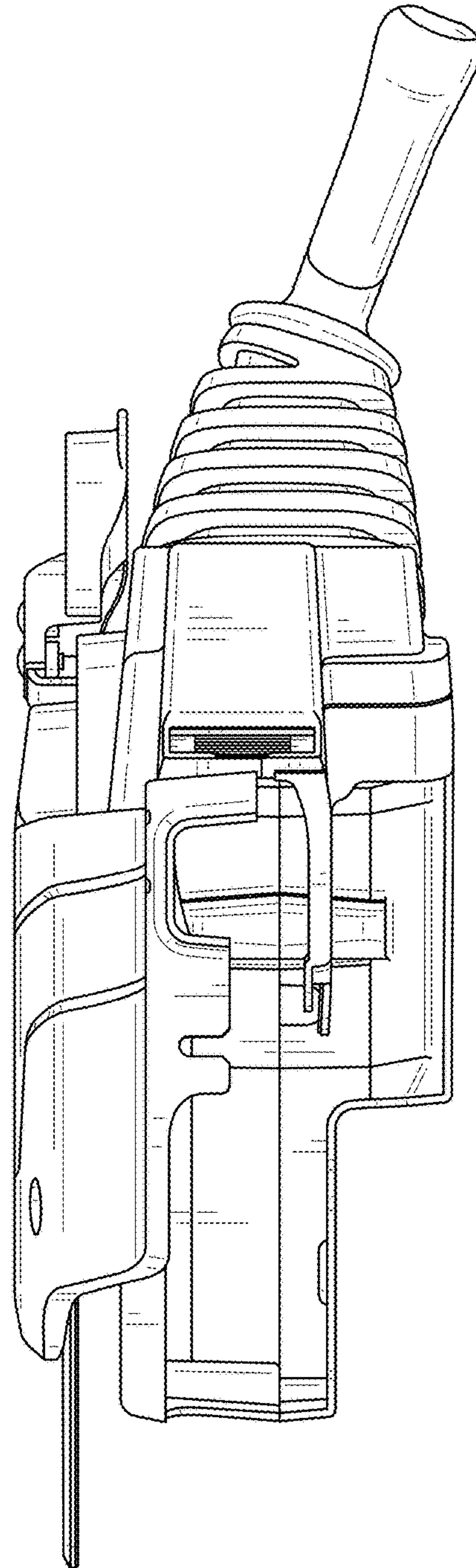


FIG. 5

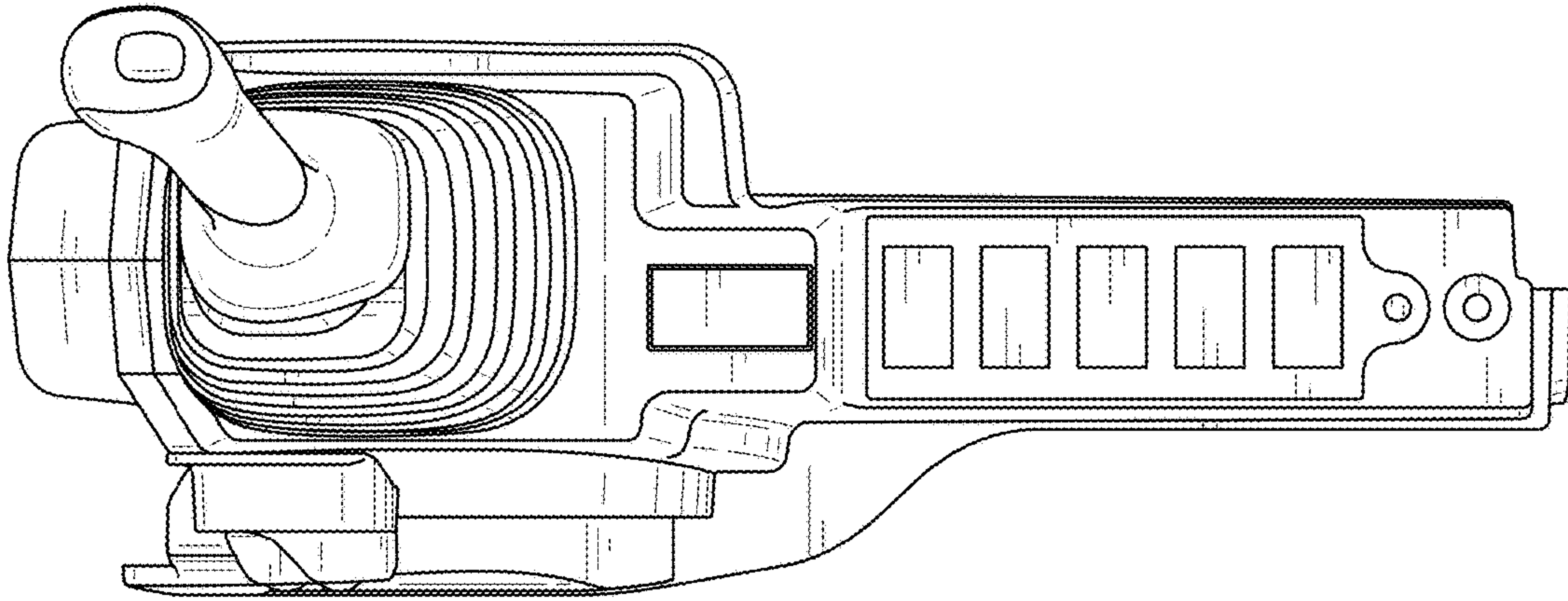


FIG. 6

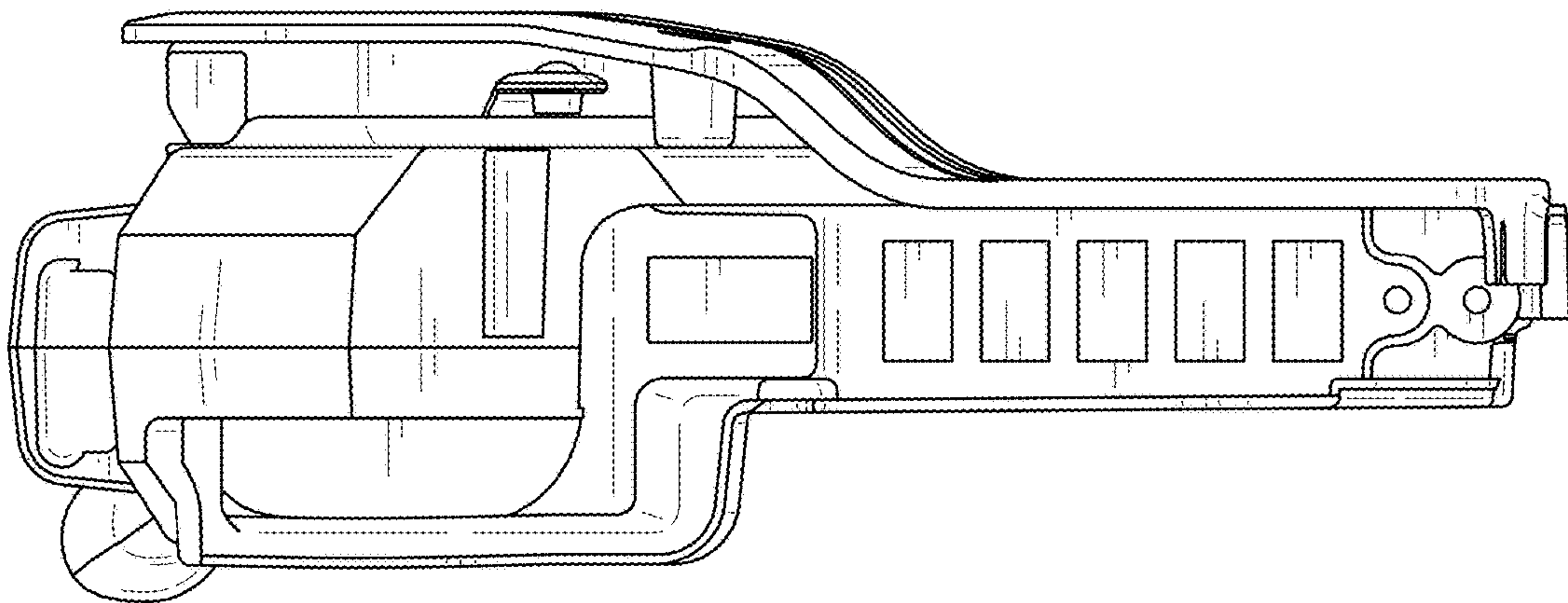


FIG. 7

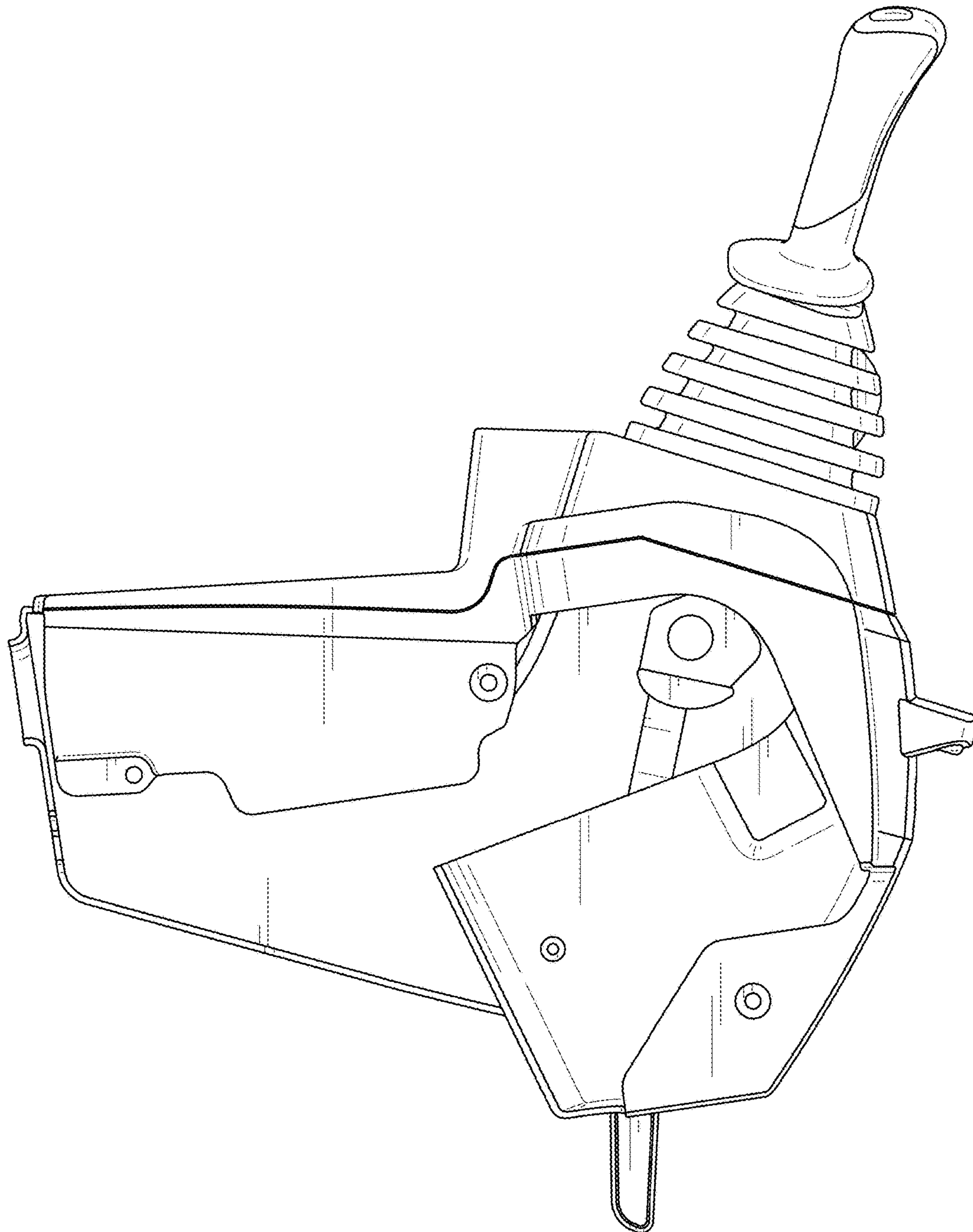


FIG. 8

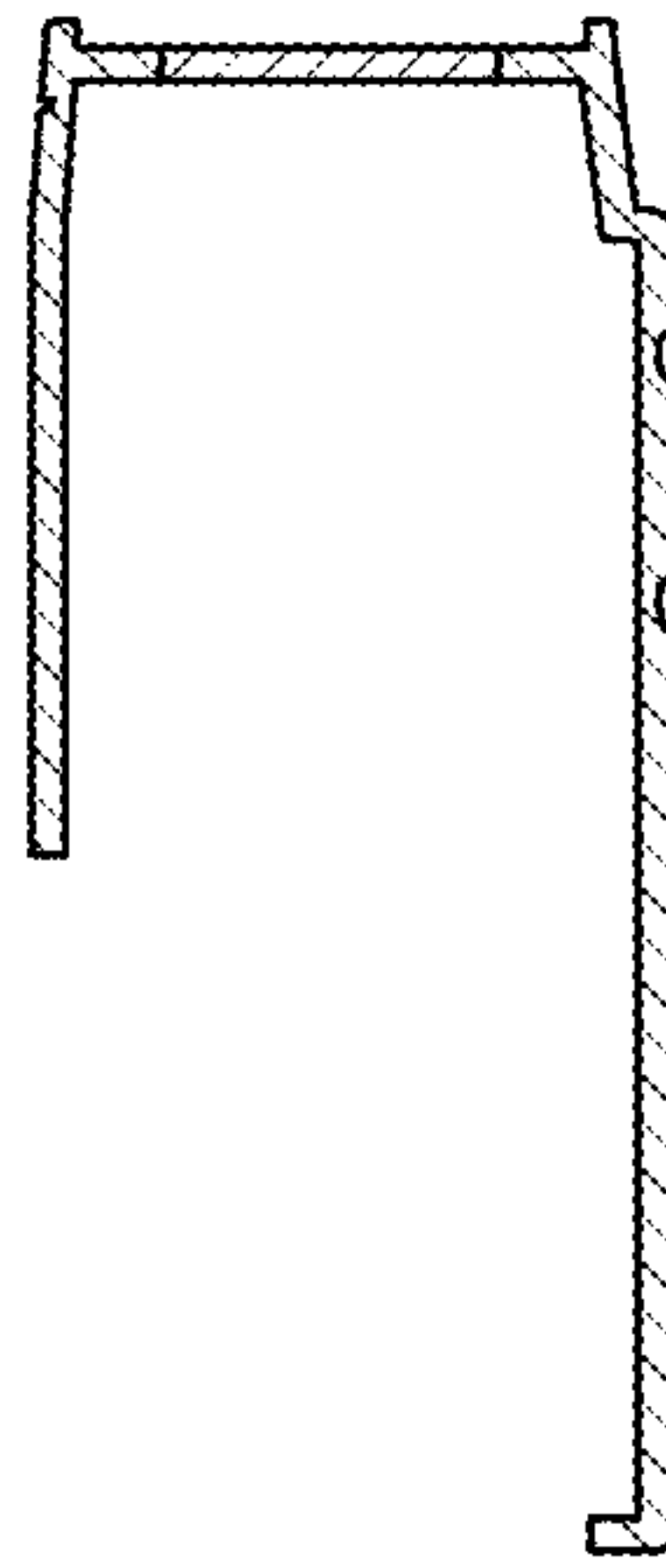


FIG. 9