



US00D856380S

(12) **United States Design Patent** (10) **Patent No.:** **US D856,380 S**  
**Ninomiya et al.** (45) **Date of Patent:** **\*\* Aug. 13, 2019**

(54) **CONSOLE BOX FOR CONSTRUCTION MACHINE**

OTHER PUBLICATIONS

(71) Applicant: **Hitachi Construction Machinery Co., Ltd.**, Taito-ku, Tokyo (JP)

Ninomiya et al., Design U.S. Appl. No. 29/648,589, filed May 22, 2018.

(Continued)

(72) Inventors: **Atsushi Ninomiya**, Tokyo (JP); **Yusuke Daimon**, Tokyo (JP); **Katsumi Usami**, Tokyo (JP); **Ei Takahashi**, Ibaraki (JP); **Takeo Manabe**, Ibaraki (JP)

*Primary Examiner* — Mark A Goodwin

(74) *Attorney, Agent, or Firm* — Crowell & Moring LLP

(73) Assignee: **Hitachi Construction Machinery Co., Ltd.**, Tokyo (JP)

(57) **CLAIM**

The ornamental design for a console box for construction machine, as shown and described.

(\*\*) Term: **15 Years**

(21) Appl. No.: **29/648,594**

(22) Filed: **May 22, 2018**

**DESCRIPTION**

(30) **Foreign Application Priority Data**

Nov. 22, 2017 (JP) ..... 2017-026087

(51) **LOC (12) Cl.** ..... **15-03**

(52) **U.S. Cl.**  
USPC ..... **D15/28; D15/17**

(58) **Field of Classification Search**  
USPC ..... D15/17, 28, 14, 15, 22-26, 31, 33;  
D12/192; 180/69.24, 69.2, 69.21, 90,  
(Continued)

This application contains subject matter related to the following co-pending U.S. design patent applications: Application Ser. No. 29/648,589, filed herewith and entitled “Seat for Operator Cab for Construction Machine”; Application Ser. No. 29/648,596, filed herewith and entitled “Console Box for Construction Machine”; and Application Ser. No. 29/648,585, filed herewith and entitled “Air Conditioning Duct Cover with Monitor for Construction Machine”.

FIG. 1 is a front, top and left side perspective view of a console box for construction machine according to the design;

FIG. 2 is a front, top and right side perspective view thereof;

FIG. 3 is a front elevational view thereof;

FIG. 4 is a left side elevational view thereof;

FIG. 5 is a right side elevational view thereof;

FIG. 6 is a top plan view thereof;

FIG. 7 is a bottom plan view thereof;

FIG. 8 is a rear elevational view thereof;

FIG. 9 is an end view taken along line 9-9 of FIG. 3; and,

FIG. 10 is an enlarged view of the portion shown in BOX 10 in FIG. 6.

(56) **References Cited**

**U.S. PATENT DOCUMENTS**

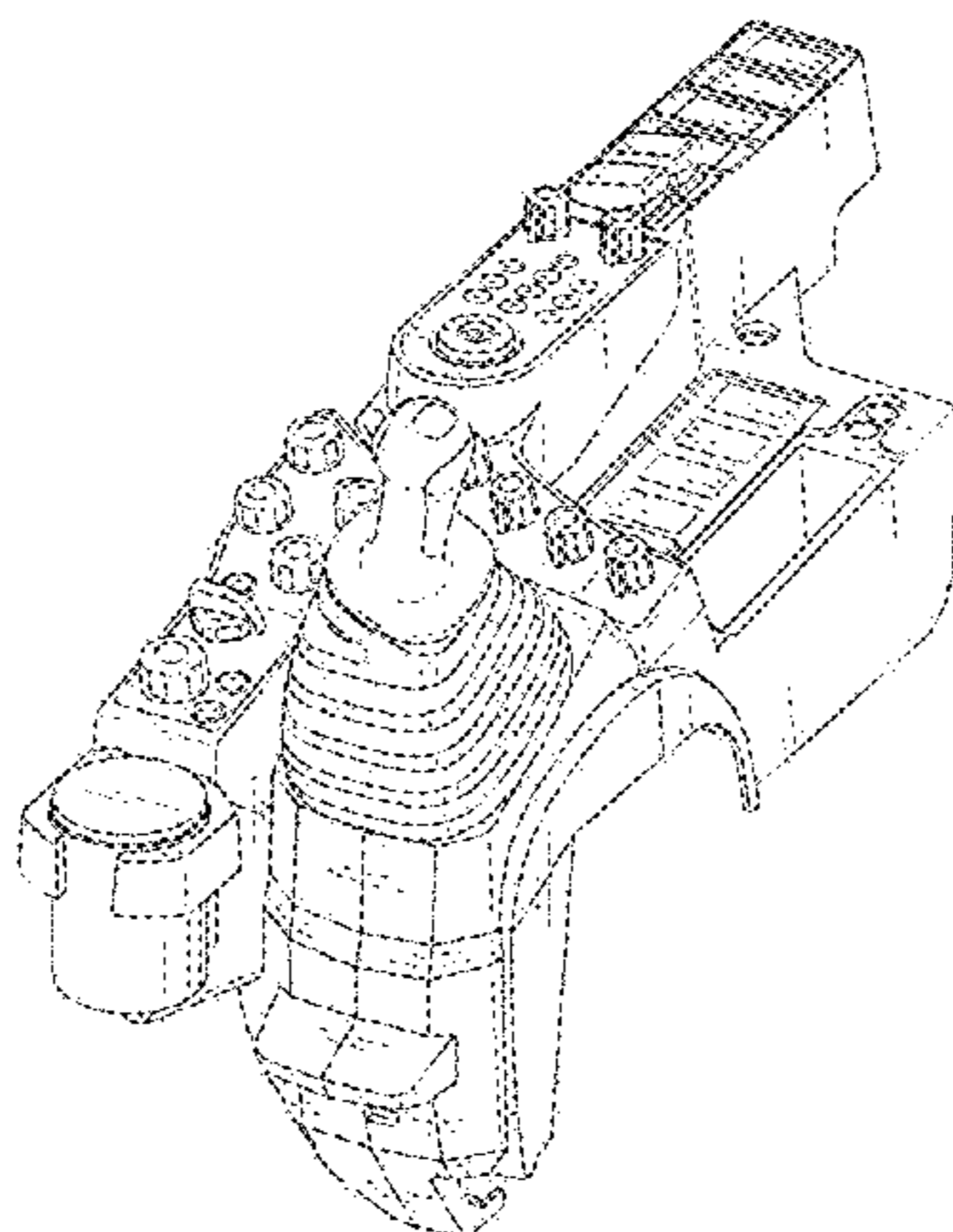
4,126,202 A \* 11/1978 Hern ..... B60K 35/00  
180/89.12  
4,471,848 A \* 9/1984 Skytoen ..... B66F 9/20  
180/90

(Continued)

**FOREIGN PATENT DOCUMENTS**

JP D1381368 S 2/2013  
JP D1383187 S 3/2013

**1 Claim, 8 Drawing Sheets**



# US D856,380 S

Page 2

(58) **Field of Classification Search**

USPC ..... 180/89.12, 900; 296/70, 30, 72, 191,  
296/192, 193.03  
CPC ..... B62D 49/00; B60K 37/00; B60K 37/02;  
B60K 37/04; B60K 2350/928; B60Y  
2200/22

See application file for complete search history.

(56) **References Cited**

U.S. PATENT DOCUMENTS

D308,131 S \* 5/1990 Marcantonio ..... D12/419  
D313,962 S \* 1/1991 Haag ..... D12/421  
D365,574 S \* 12/1995 Westimayer ..... D15/17  
D420,685 S \* 2/2000 Muranen ..... D15/30  
6,039,141 A \* 3/2000 Denny ..... B60N 2/797  
180/329  
D427,613 S \* 7/2000 Altmann ..... D15/28  
D428,022 S \* 7/2000 Altmann ..... D15/28  
D432,076 S \* 10/2000 Stickles ..... D12/419  
6,189,964 B1 \* 2/2001 Henshaw ..... B60N 2/38  
297/112  
D441,769 S \* 5/2001 Surrige ..... D12/415  
6,267,195 B1 \* 7/2001 Takahasi ..... B60K 23/00  
180/315  
6,634,453 B2 \* 10/2003 Arthur ..... B60N 2/797  
180/315  
6,675,508 B2 \* 1/2004 Tamaru ..... E02F 9/16  
180/333  
6,752,468 B2 \* 6/2004 Eliasson ..... B60P 1/283  
180/331  
6,942,282 B1 \* 9/2005 Jacobs ..... B62D 33/0617  
296/190.01  
D521,413 S \* 5/2006 Katoh ..... D12/1  
D546,841 S \* 7/2007 McCarren, Jr. .... D15/28  
D593,134 S \* 5/2009 Kuwae ..... D15/17  
7,854,291 B2 \* 12/2010 Akahane ..... E02F 9/2004  
180/333

7,857,090 B2 \* 12/2010 Ruhter ..... E02F 9/16  
180/333  
7,913,798 B2 \* 3/2011 Frett ..... E02F 9/16  
180/333  
D636,410 S \* 4/2011 Ono ..... D15/28  
D636,794 S \* 4/2011 Ono ..... D15/28  
D640,293 S \* 6/2011 Ono ..... D15/28  
8,091,678 B2 \* 1/2012 Rowan ..... E02F 9/16  
180/320  
8,104,566 B2 \* 1/2012 Harber ..... E02F 9/16  
180/315  
D685,006 S 6/2013 Hagura et al.  
D685,007 S 6/2013 Tanaka et al.  
D697,534 S \* 1/2014 Uchida ..... D15/17  
D720,515 S \* 12/2014 Warner ..... D34/35  
D727,978 S \* 4/2015 Higuchi ..... D15/28  
D741,236 S \* 10/2015 Schnering ..... D12/195  
D745,573 S \* 12/2015 Moore ..... D15/17  
D762,740 S \* 8/2016 Okuyama ..... D15/28  
D783,686 S \* 4/2017 Jilbert ..... D15/28  
D786,313 S \* 5/2017 Okuyama ..... D15/28  
D813,916 S \* 3/2018 Okuyama ..... D15/28  
D816,728 S \* 5/2018 Diebold ..... D15/28  
D816,729 S \* 5/2018 Diebold ..... D15/28  
D816,730 S \* 5/2018 Diebold ..... D15/28  
D816,731 S \* 5/2018 Diebold ..... D15/28  
D819,706 S \* 6/2018 Diebold ..... D15/28  
D822,071 S \* 7/2018 Jacobsthal ..... D15/28  
D834,622 S \* 11/2018 Fincato ..... D15/28

OTHER PUBLICATIONS

Ninomiya et al., Design U.S. Appl. No. 29/648,596, filed May 22,  
2018.  
Ninomiya et al., Design U.S. Appl. No. 29/648,585, filed May 22,  
2018.

\* cited by examiner

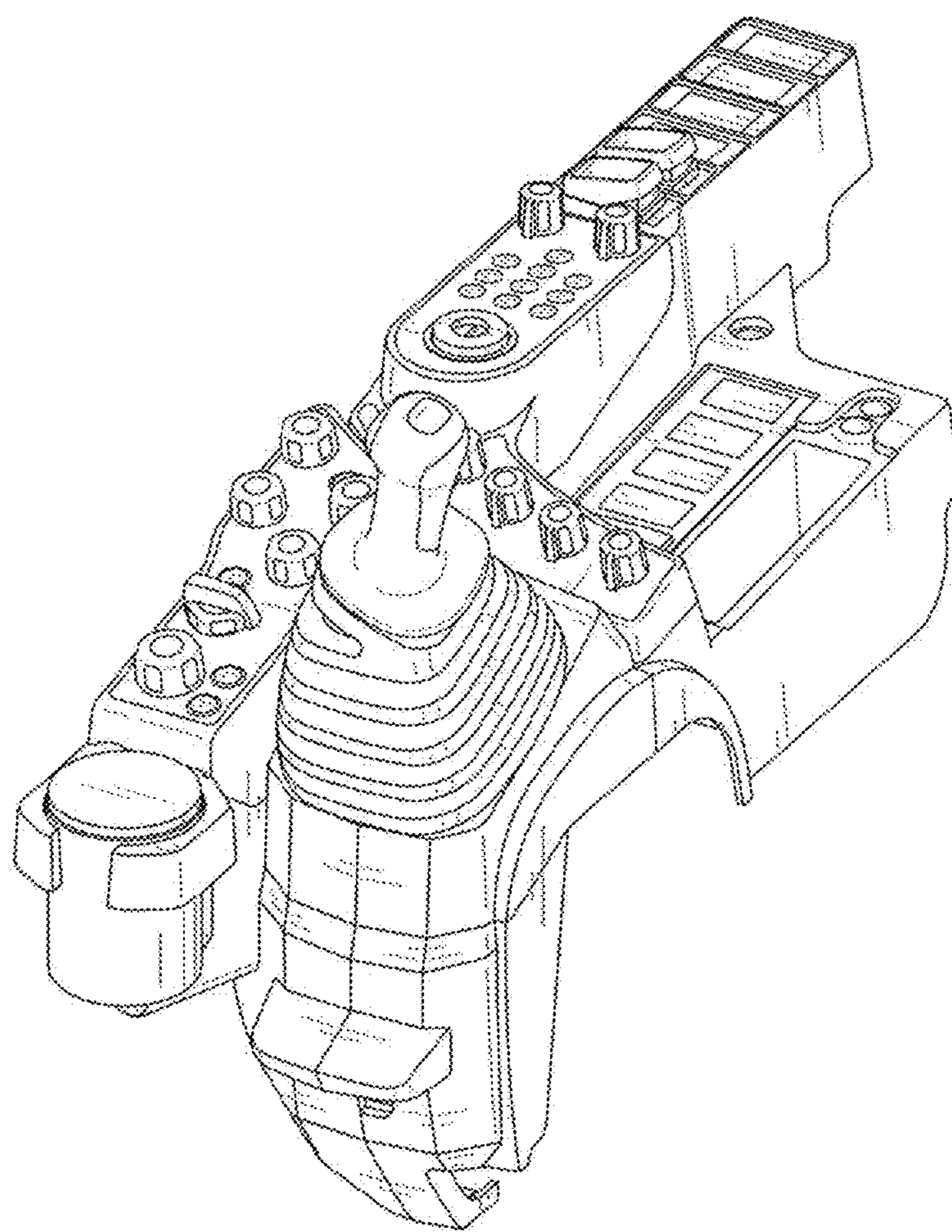


FIG. 1

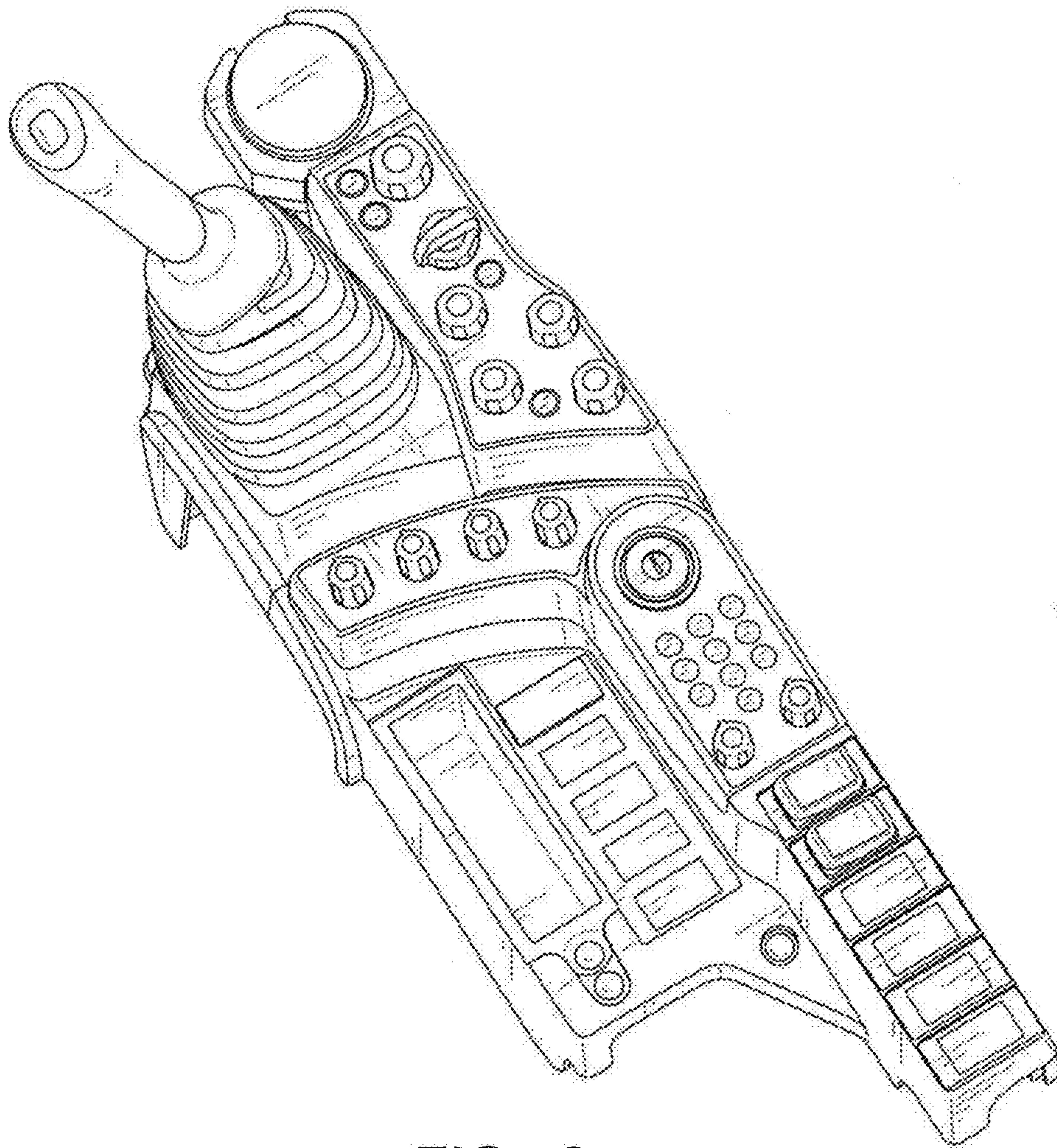


FIG. 2

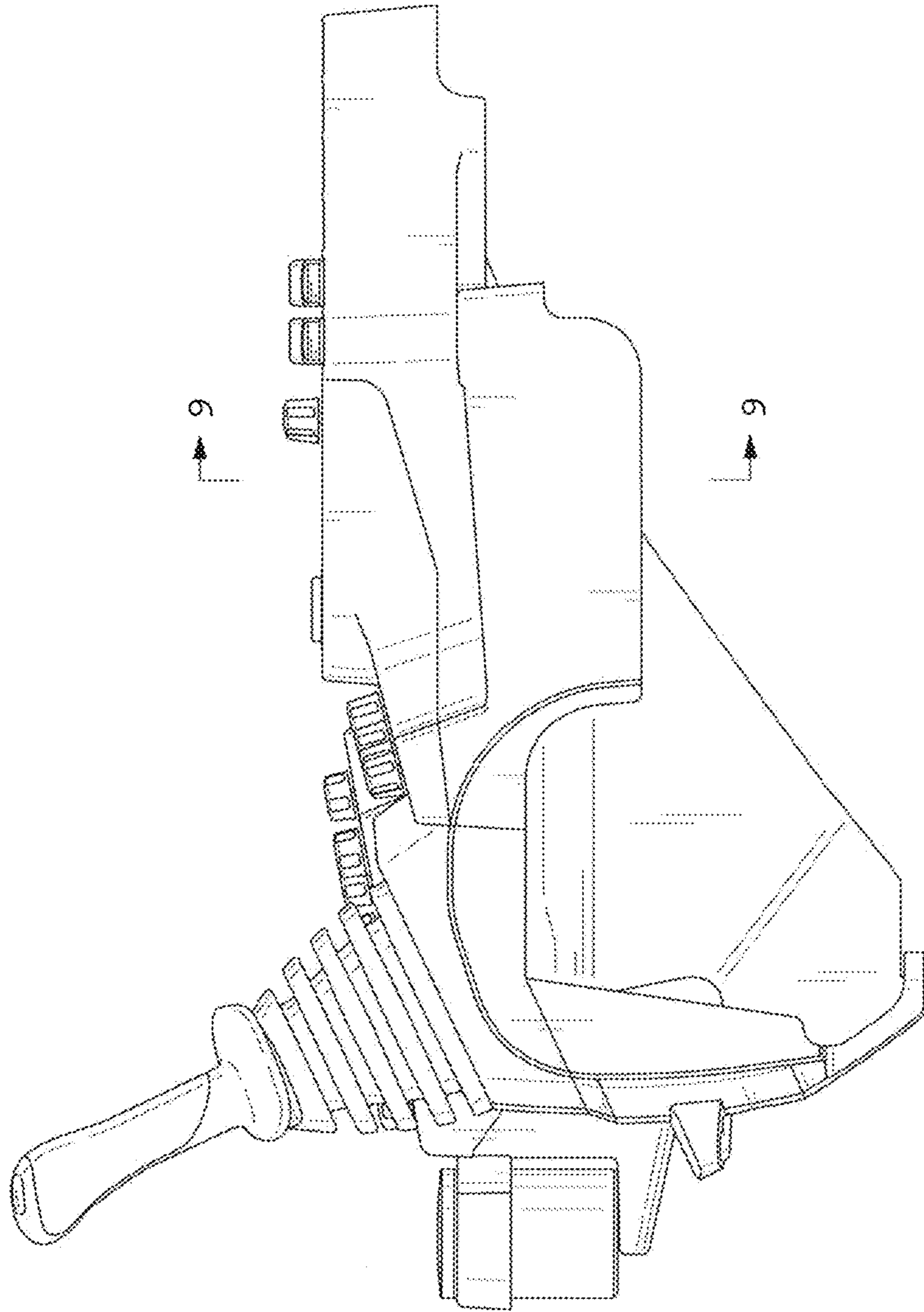


FIG. 3

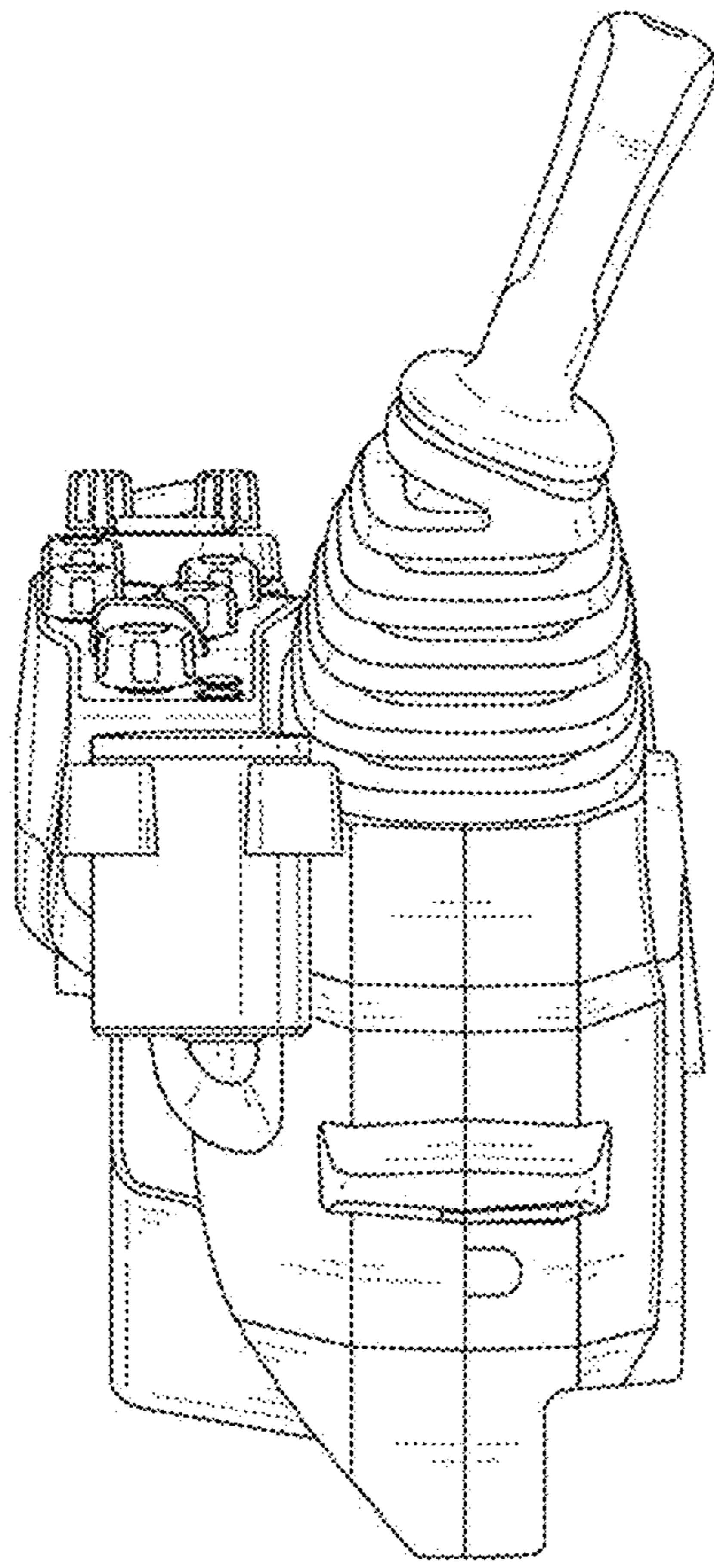


FIG. 4

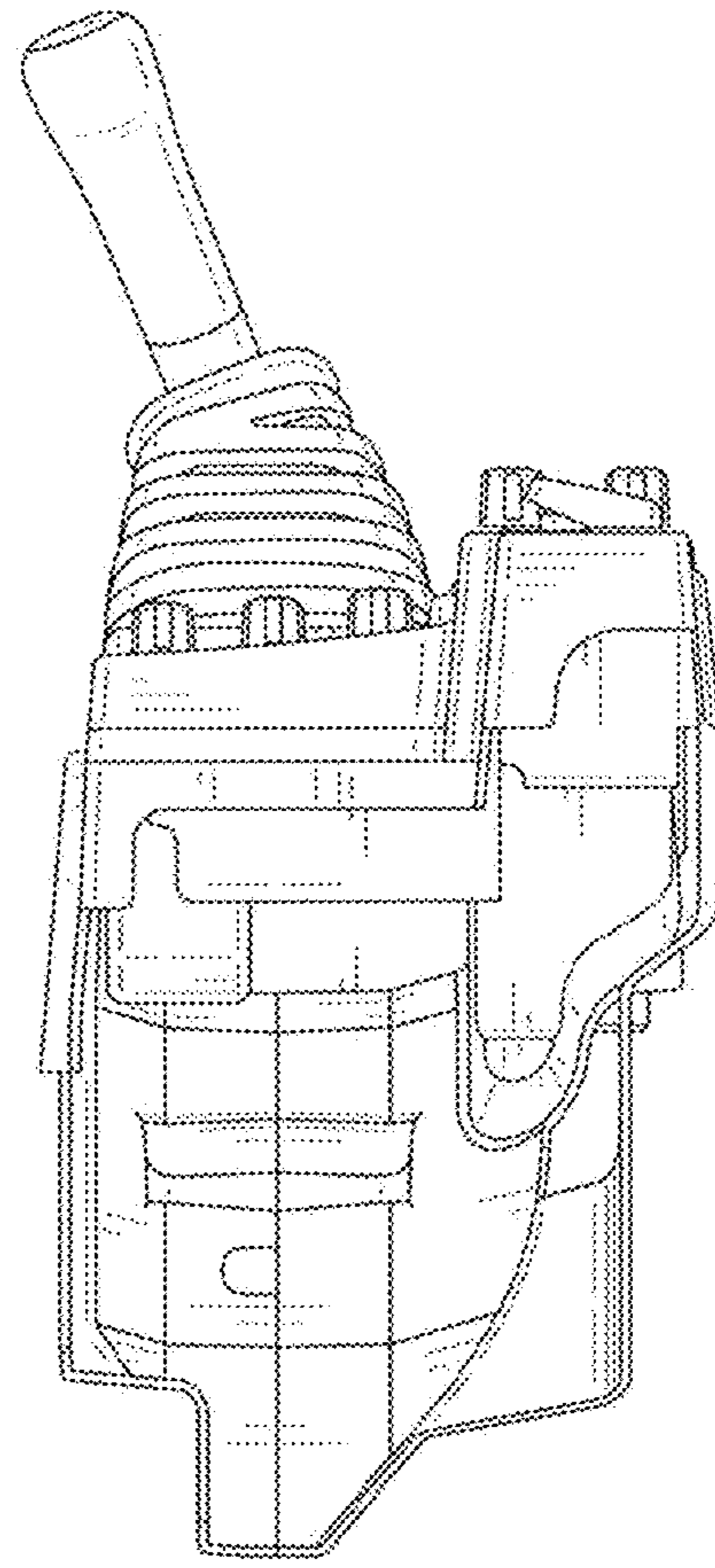


FIG. 5

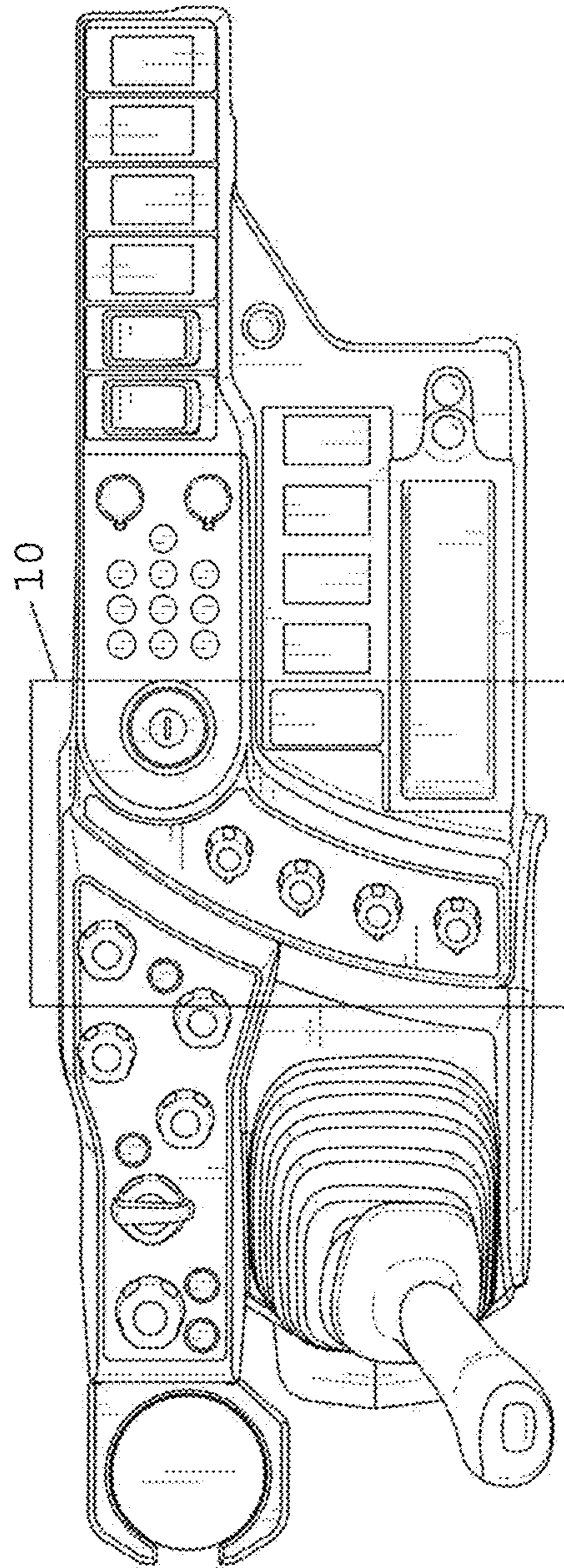


FIG. 6

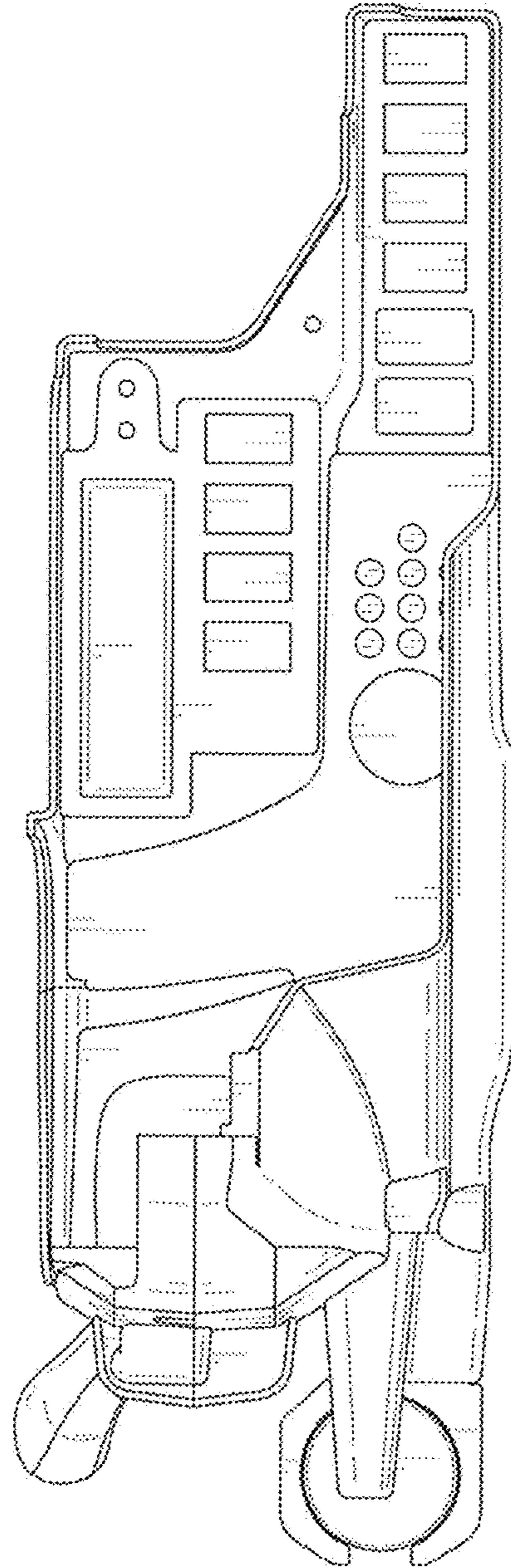


FIG. 7



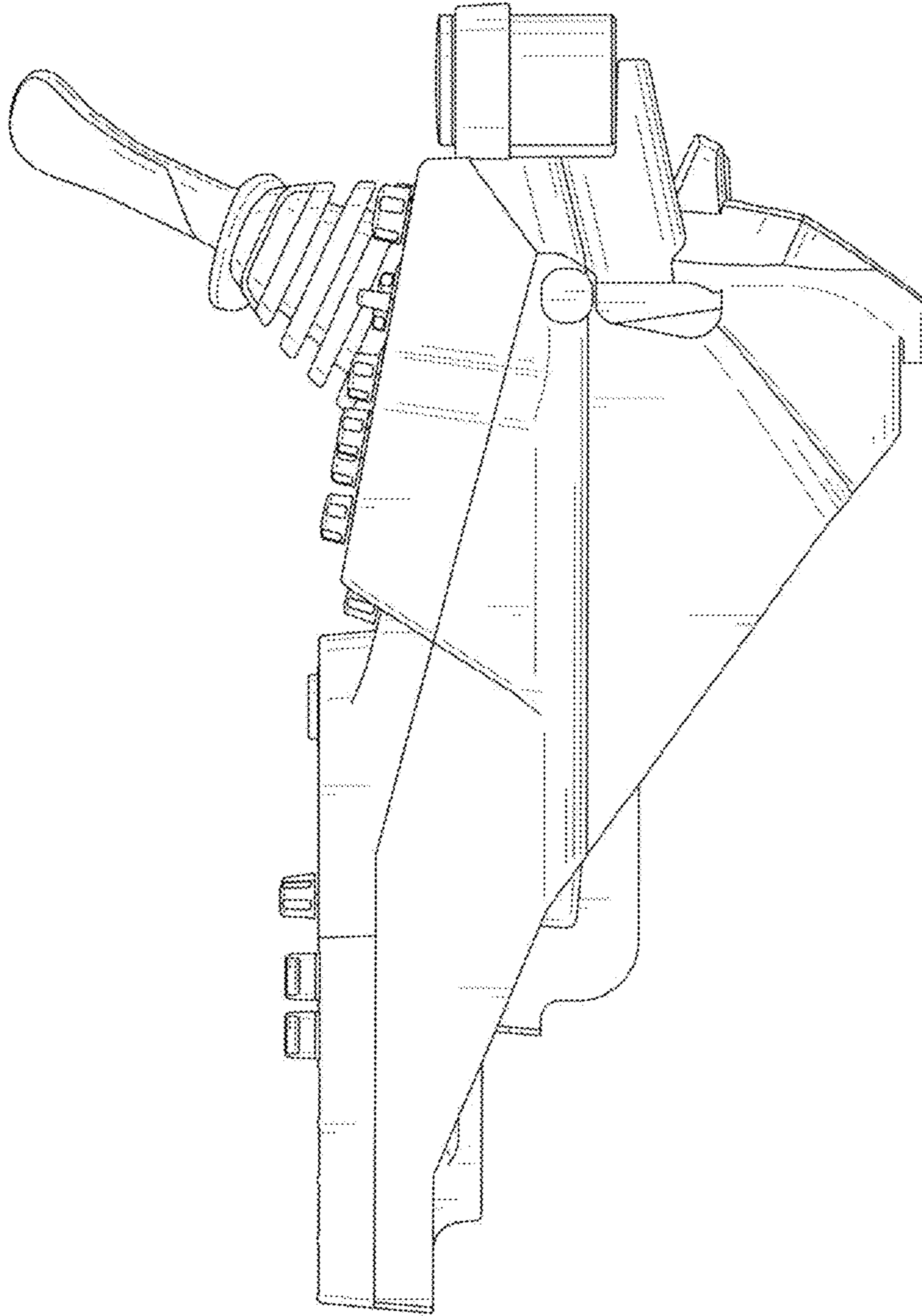


FIG. 8

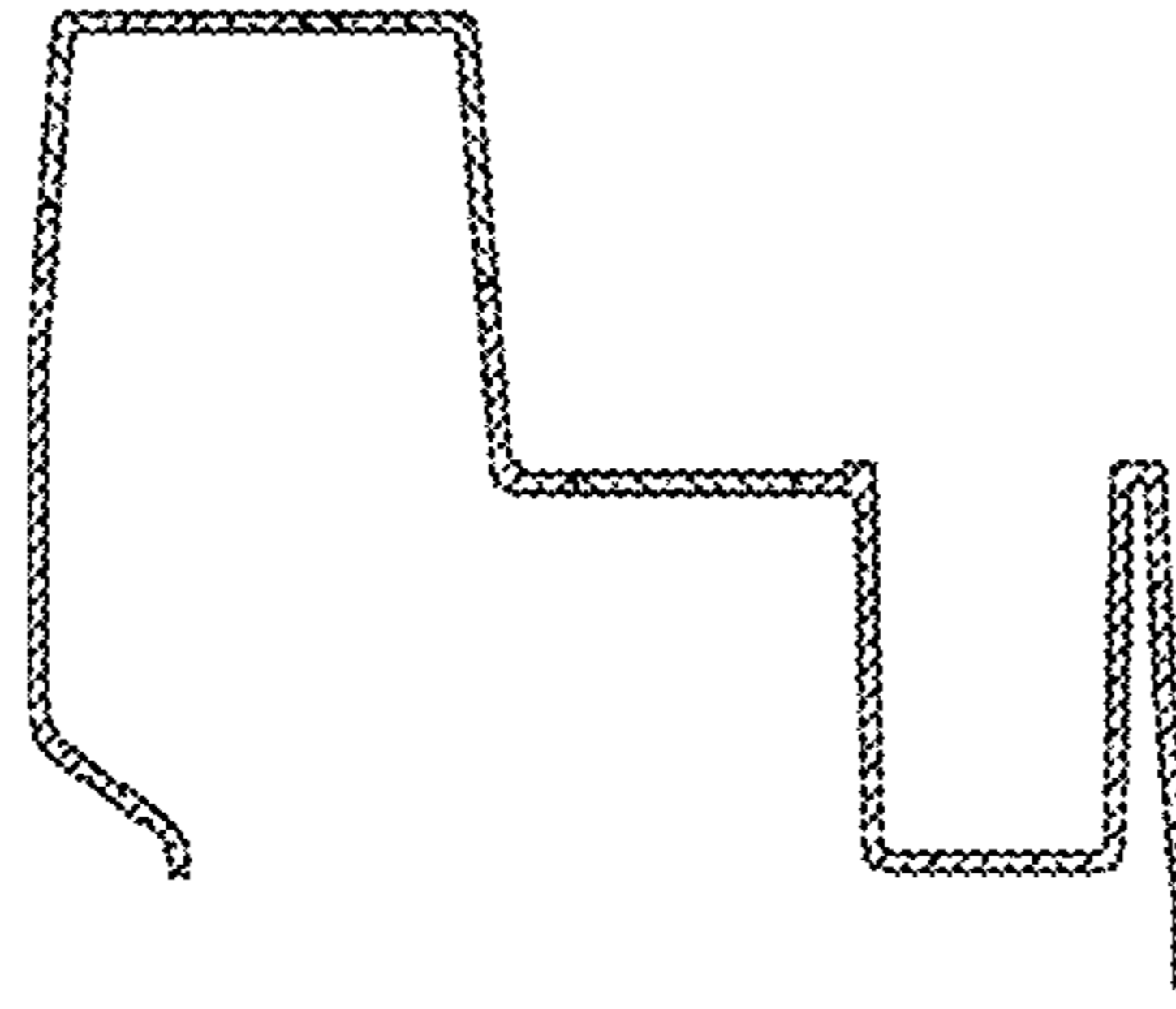


FIG. 9

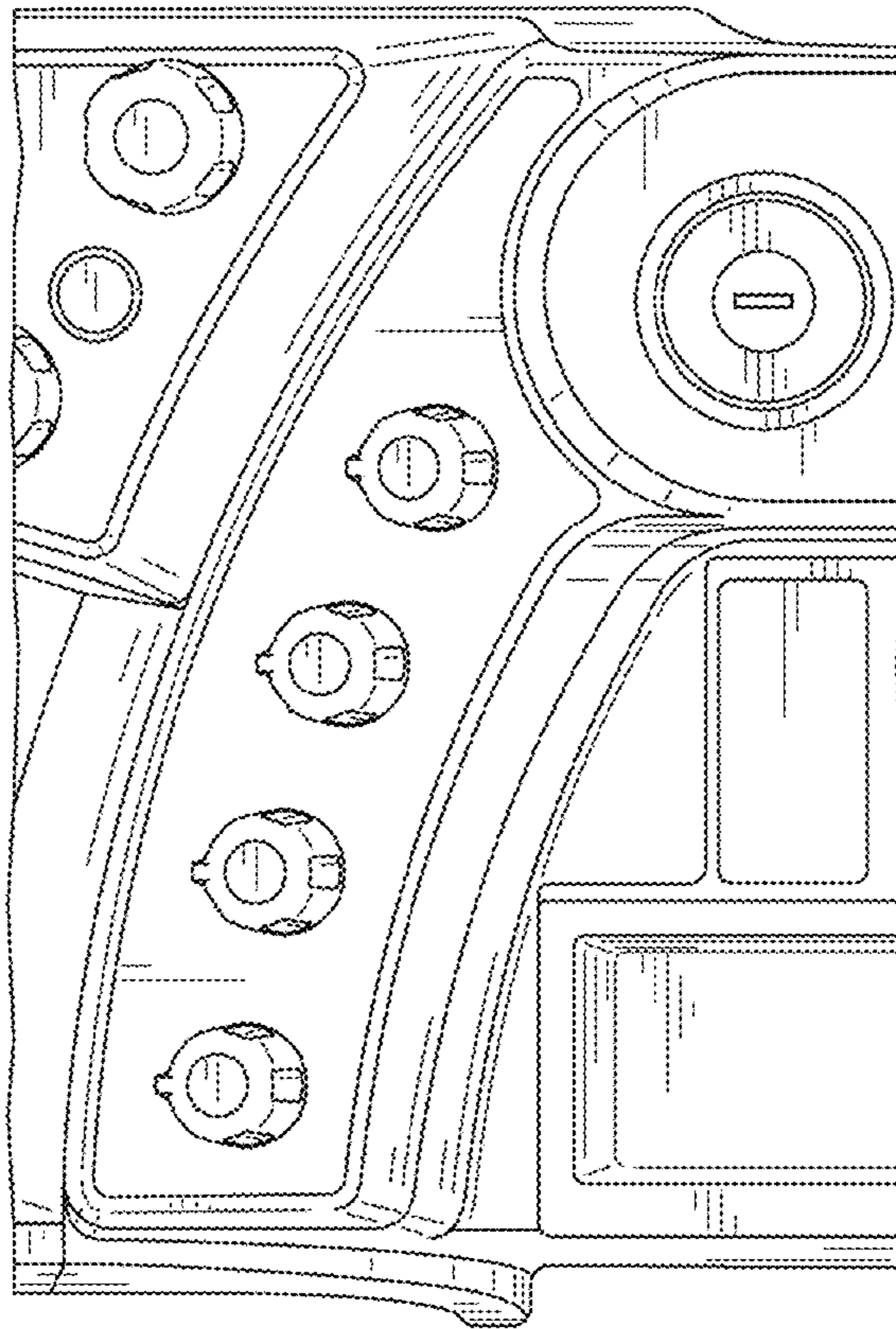


FIG. 10