



US00D856379S

(12) **United States Design Patent**
Ninomiya et al.

(10) **Patent No.:** **US D856,379 S**

(45) **Date of Patent:** **** Aug. 13, 2019**

(54) **AIR CONDITIONING DUCT COVER WITH MONITOR FOR CONSTRUCTION MACHINE**

FOREIGN PATENT DOCUMENTS

(71) Applicant: **Hitachi Construction Machinery Co., Ltd.**, Taito-ku, Tokyo (JP)

JP D 1381368 S 2/2013
JP D 1383187 S 3/2013

(72) Inventors: **Atsushi Ninomiya**, Tokyo (JP); **Yusuke Daimon**, Tokyo (JP); **Katsumi Usami**, Tokyo (JP); **Shigehisa Hagura**, Tokyo (JP); **Ei Takahashi**, Ibaraki (JP); **Takeo Manabe**, Ibaraki (JP)

OTHER PUBLICATIONS

Ninomiya et al., Design U.S. Appl. No. 29/648,589, filed May 22, 2018.

(Continued)

(73) Assignee: **Hitachi Construction Machinery Co., Ltd.**, Tokyo (JP)

Primary Examiner — Mark A Goodwin

(74) *Attorney, Agent, or Firm* — Crowell & Moring LLP

(**) Term: **15 Years**

(57) **CLAIM**

The ornamental design for an air conditioning duct cover with monitor for construction machine, as shown and described.

(21) Appl. No.: **29/648,585**

(22) Filed: **May 22, 2018**

DESCRIPTION

(30) **Foreign Application Priority Data**

Nov. 22, 2017 (JP) 2017-026089

(51) **LOC (12) Cl.** **15-03**

(52) **U.S. Cl.**
USPC **D15/28**; D15/17

(58) **Field of Classification Search**
USPC D15/17, 28, 14, 15, 22–26, 31, 33;
D12/192; 180/69.24, 69.2, 69.21, 90,
(Continued)

This application contains subject matter related to the following co-pending U.S. design patent applications:

Application Ser. No. 29/648,589, filed herewith and entitled “Seat for Operator Cab for Construction Machine”;

Application Ser. No. 29/648,594, filed herewith and entitled “Console Box for Construction Machine”; and

Application Ser. No. 29/648,596, filed herewith and entitled “Console Box for Construction Machine”.

FIG. 1 is a front, top and right side perspective view of an air conditioning duct cover with monitor for construction machine according to the design;

FIG. 2 is a front, top and left side perspective view thereof;

FIG. 3 is a front elevational view thereof;

FIG. 4 is a left side elevational view thereof;

FIG. 5 is a right side elevational view thereof;

FIG. 6 is a top plan view thereof;

FIG. 7 is a bottom plan view thereof; and,

FIG. 8 is a rear elevational view thereof.

(56) **References Cited**

U.S. PATENT DOCUMENTS

4,126,202 A * 11/1978 Hem B60K 35/00

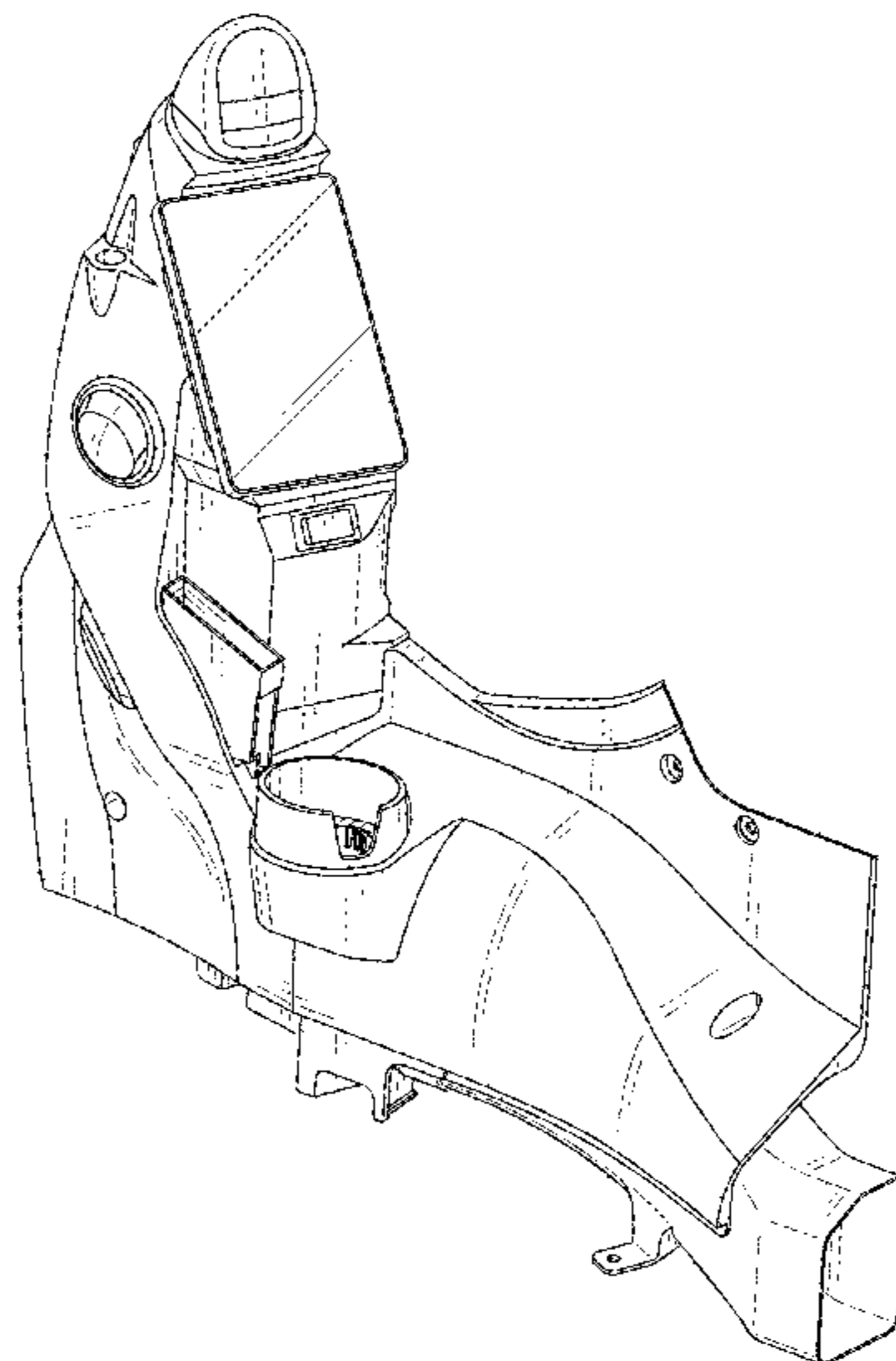
180/89.12

4,471,848 A * 9/1984 Skytoen B66F 9/20

180/90

(Continued)

1 Claim, 6 Drawing Sheets



US D856,379 S

Page 2

(58) **Field of Classification Search**

USPC 180/89.12, 900; 296/70, 30, 72, 191,
296/192, 193.03

CPC B62D 49/00; B60K 37/00; B60K 37/02;
B60K 37/04; B60K 2350/928; B60Y
2200/22

See application file for complete search history.

(56) **References Cited**

U.S. PATENT DOCUMENTS

D308,131 S * 5/1990 Marcantonio D12/419
D313,962 S * 1/1991 Haag D12/421
D365,574 S * 12/1995 Westimayer D15/17
D420,685 S * 2/2000 Muranen D15/30
6,039,141 A * 3/2000 Denny B60N 2/797
180/329
D427,613 S * 7/2000 Altmann D15/28
D428,022 S * 7/2000 Altmann D15/28
D432,076 S * 10/2000 Stickles D12/419
6,189,964 B1 * 2/2001 Henshaw B60N 2/38
297/112
D441,769 S * 5/2001 Surrige D12/415
6,267,195 B1 * 7/2001 Takahasi B60K 23/00
180/315
6,634,453 B2 * 10/2003 Arthur B60N 2/797
180/315
6,675,508 B2 * 1/2004 Tamaru E02F 9/16
180/333
6,752,468 B2 * 6/2004 Eliasson B60P 1/283
180/331
6,942,282 B1 * 9/2005 Jacobs B62D 33/0617
296/190.01
D521,413 S * 5/2006 Katoh D12/1
D546,841 S * 7/2007 McCarren, Jr. D15/28
D593,134 S * 5/2009 Kuwae D15/17
7,854,291 B2 * 12/2010 Akahane E02F 9/2004
180/333

7,857,090 B2 * 12/2010 Ruhter E02F 9/16
180/333
7,913,798 B2 * 3/2011 Frett E02F 9/16
180/333
D636,410 S * 4/2011 Ono D15/28
D636,794 S * 4/2011 Ono D15/28
D640,293 S * 6/2011 Ono D15/28
8,091,678 B2 * 1/2012 Rowan E02F 9/16
180/320
8,104,566 B2 * 1/2012 Harber E02F 9/16
180/315
D685,006 S 6/2013 Hagura et al.
D685,007 S 6/2013 Tanaka et al.
D697,534 S * 1/2014 Uchida D15/17
D720,515 S * 12/2014 Warner D34/35
D727,978 S * 4/2015 Higuchi D15/28
D741,236 S * 10/2015 Schnering D12/195
D745,573 S * 12/2015 Moore D15/17
D762,740 S * 8/2016 Okuyama D15/28
D783,686 S * 4/2017 Jilbert D15/28
D786,313 S * 5/2017 Okuyama D15/28
D813,916 S * 3/2018 Okuyama D15/28
D816,728 S * 5/2018 Diebold D15/28
D816,729 S * 5/2018 Diebold D15/28
D816,730 S * 5/2018 Diebold D15/28
D816,731 S * 5/2018 Diebold D15/28
D819,706 S * 6/2018 Diebold D15/28
D822,071 S * 7/2018 Jacobsthal D15/28
D834,622 S * 11/2018 Fincato D15/28

OTHER PUBLICATIONS

Ninomiya et al., Design U.S. Appl. No. 29/648,594, filed May 22,
2018.
Ninomiya et al., Design U.S. Appl. No. 29/648,596, filed May 22,
2018.

* cited by examiner

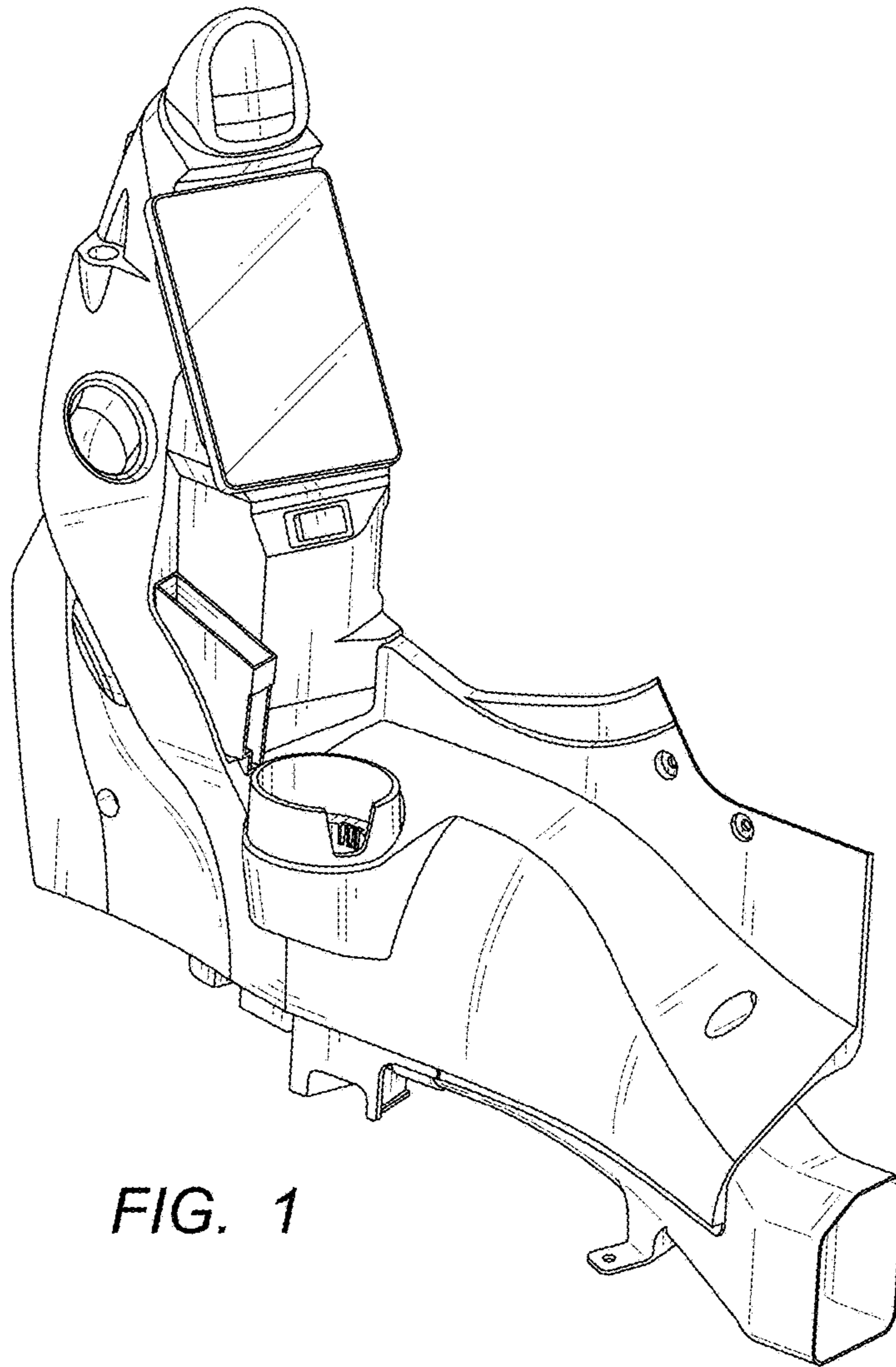


FIG. 1

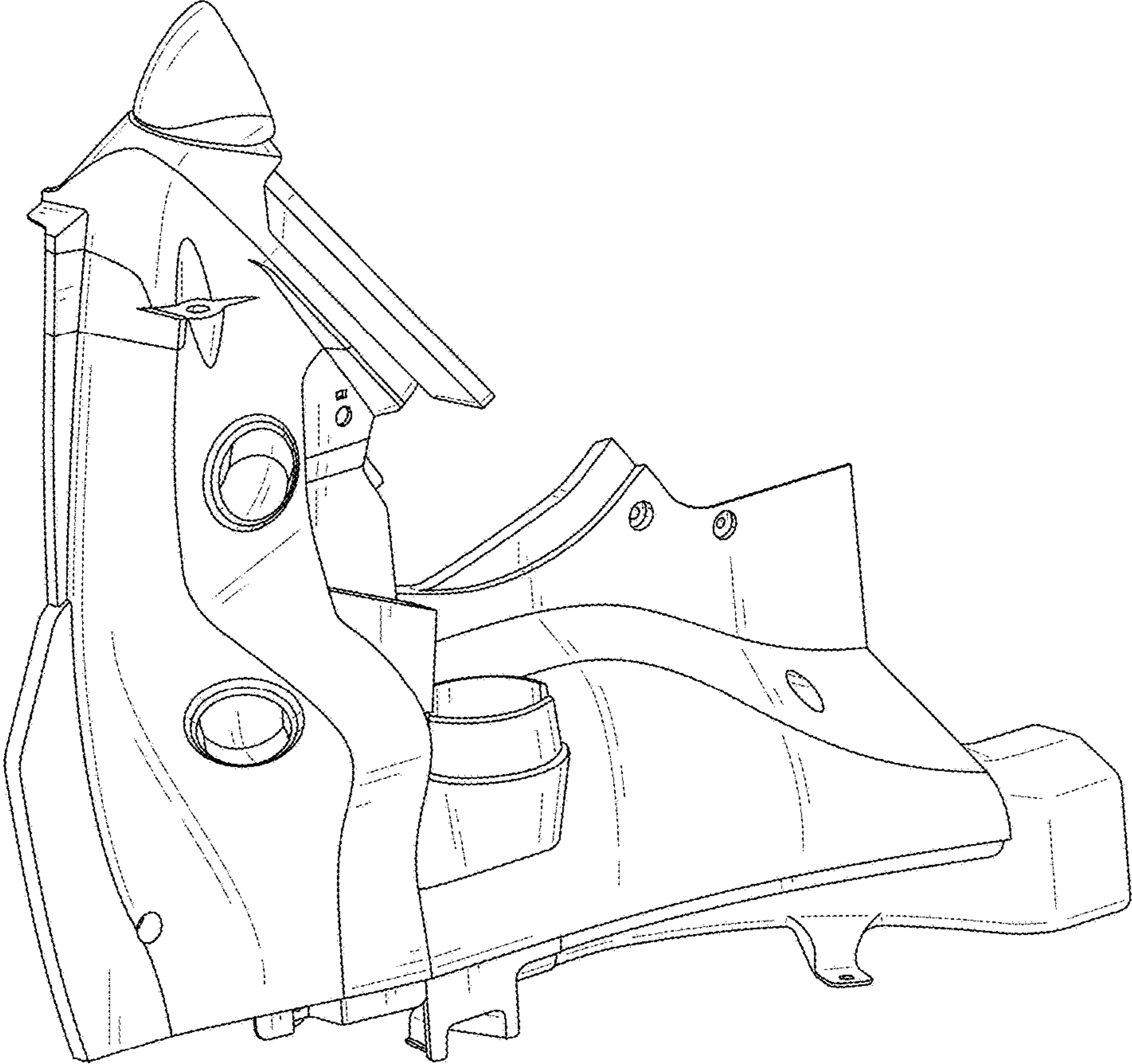


FIG. 2

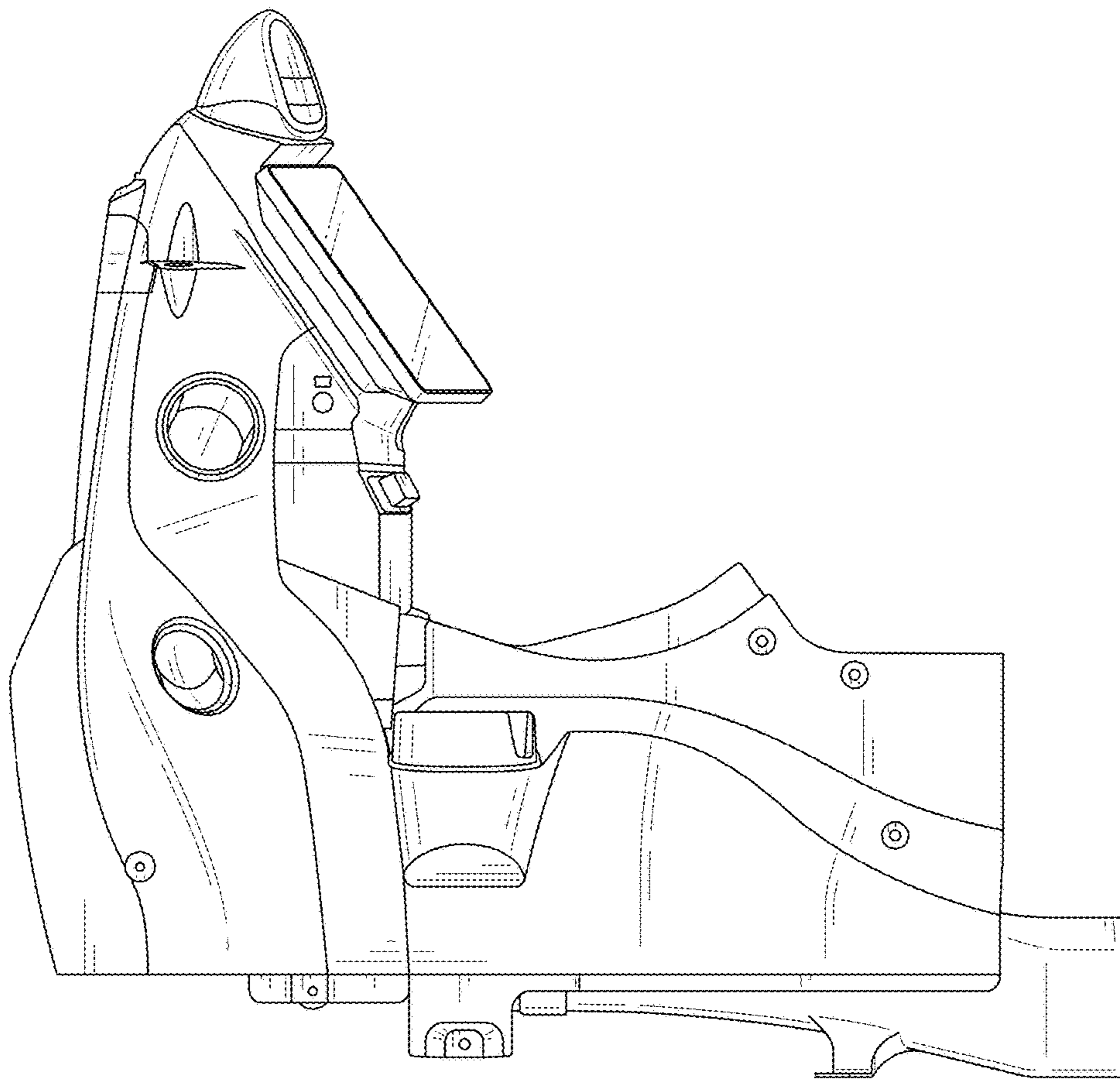


FIG. 3

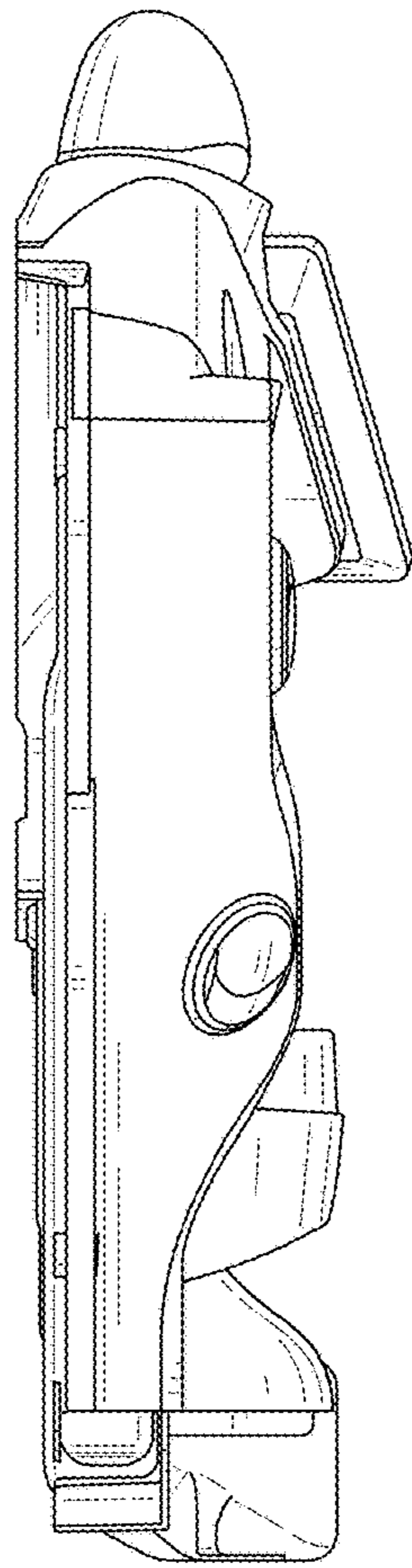


FIG. 4

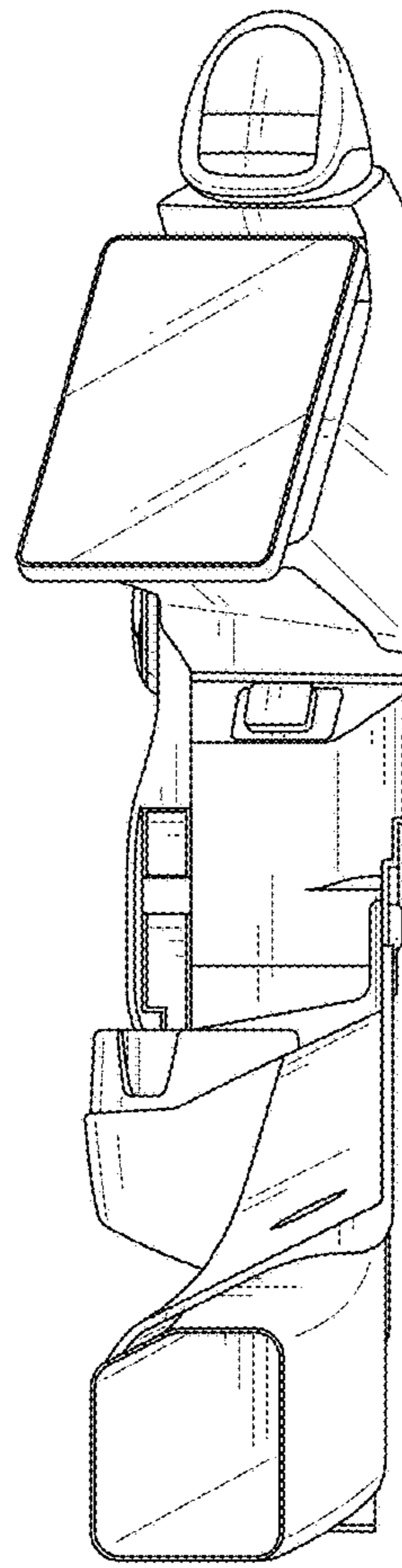


FIG. 5

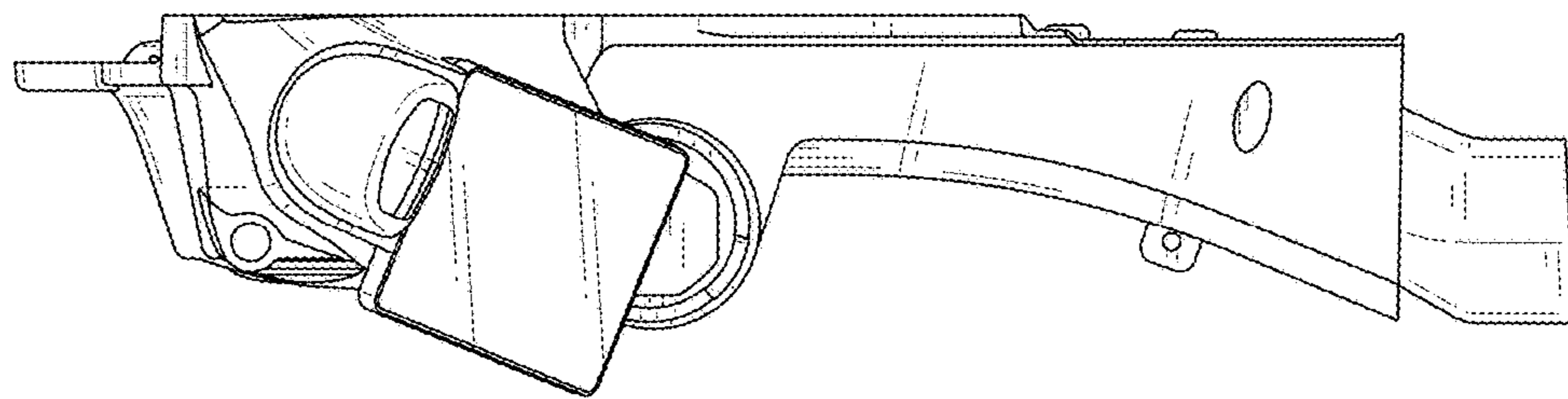


FIG. 6

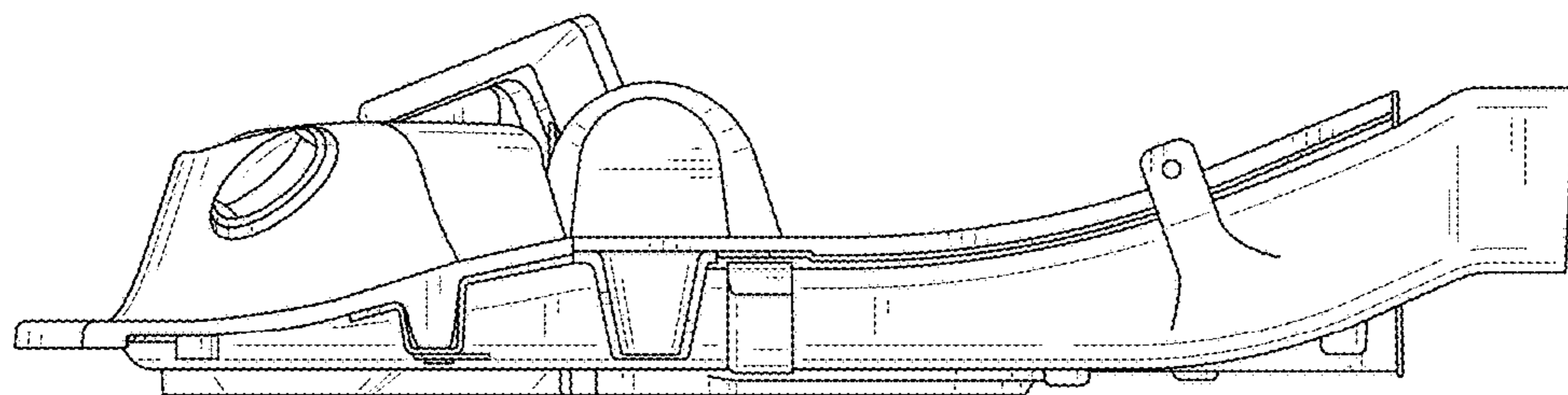


FIG. 7

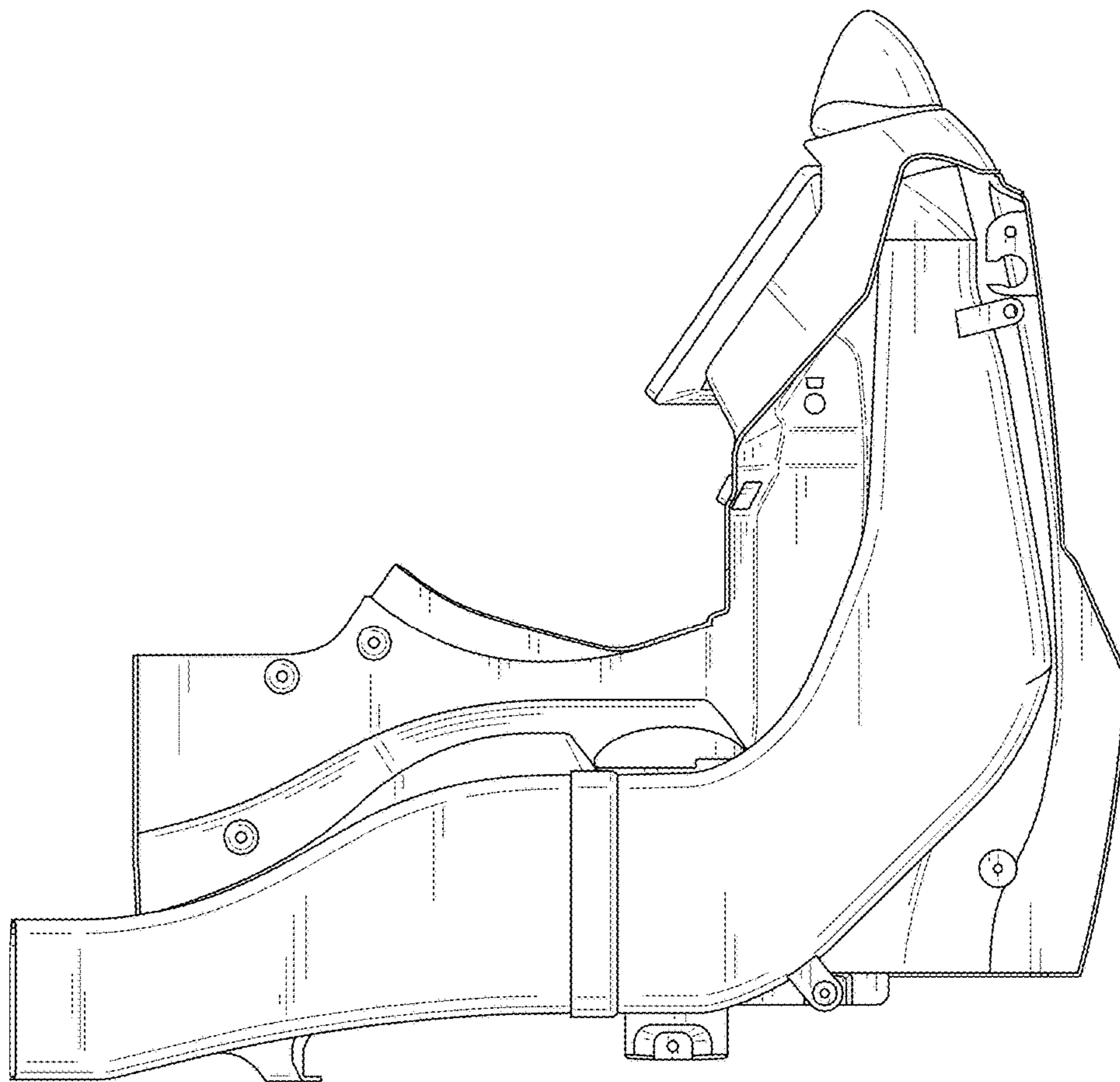


FIG. 8