



US00D856378S

(12) **United States Design Patent** (10) **Patent No.:** **US D856,378 S**
Ainge et al. (45) **Date of Patent:** **** Aug. 13, 2019**

(54) **COMPONENT OF AN AGRICULTURAL GROUND ENGAGING CHAIN**

(71) Applicant: **HARD METALS AUSTRALIA PTY LIMITED**, Eastern Creek, NSW (AU)

(72) Inventors: **Stephen Ainge**, Eastern Creek (AU); **Seyed Ali Heydarshahy**, Eastern Creek (AU)

(73) Assignee: **HARD METALS AUSTRALIA PTY LIMITED**, Eastern Creek, New South Wales (AU)

(**) Term: **15 Years**

(21) Appl. No.: **29/644,429**

(22) Filed: **Apr. 17, 2018**

(30) **Foreign Application Priority Data**

Oct. 19, 2017 (AU) 201716378

(51) **LOC (12) Cl.** **15-03**

(52) **U.S. Cl.**
USPC **D15/28**

(58) **Field of Classification Search**

USPC D15/11, 17, 21, 27, 28, 29; 172/707, 172/747, 772, 772.5, 704, 708, 705, 720, 172/765, 579, 462, 572, 599, 627
CPC A01B 39/20; A01B 19/02; A01B 35/24; A01B 35/225; A01B 35/00; A01B 23/02; A01B 23/00; A01B 23/06; A01B 21/00; A01B 21/08; A01B 21/04; A01B 31/00; A01B 71/04; A01B 15/16; A01B 15/18; B23K 1/0008

See application file for complete search history.

(56) **References Cited**

U.S. PATENT DOCUMENTS

1,832,649 A * 11/1931 Oreind A01B 23/06
172/599

2,979,138 A 4/1961 Martensen

4,083,413 A * 4/1978 Miller A01B 23/06
172/601
4,420,048 A * 12/1983 Peterson A01B 23/06
172/568
4,577,699 A * 3/1986 Rottinghaus A01B 61/04
172/570
D467,944 S * 12/2002 Stark D15/29
7,607,489 B2 * 10/2009 Kelly A01B 23/06
172/311
D615,107 S * 5/2010 Kelly A01B 23/06
D15/28

(Continued)

FOREIGN PATENT DOCUMENTS

AU 2007216912 4/2008
EE 01245 10/2014

(Continued)

Primary Examiner — Mark A Goodwin

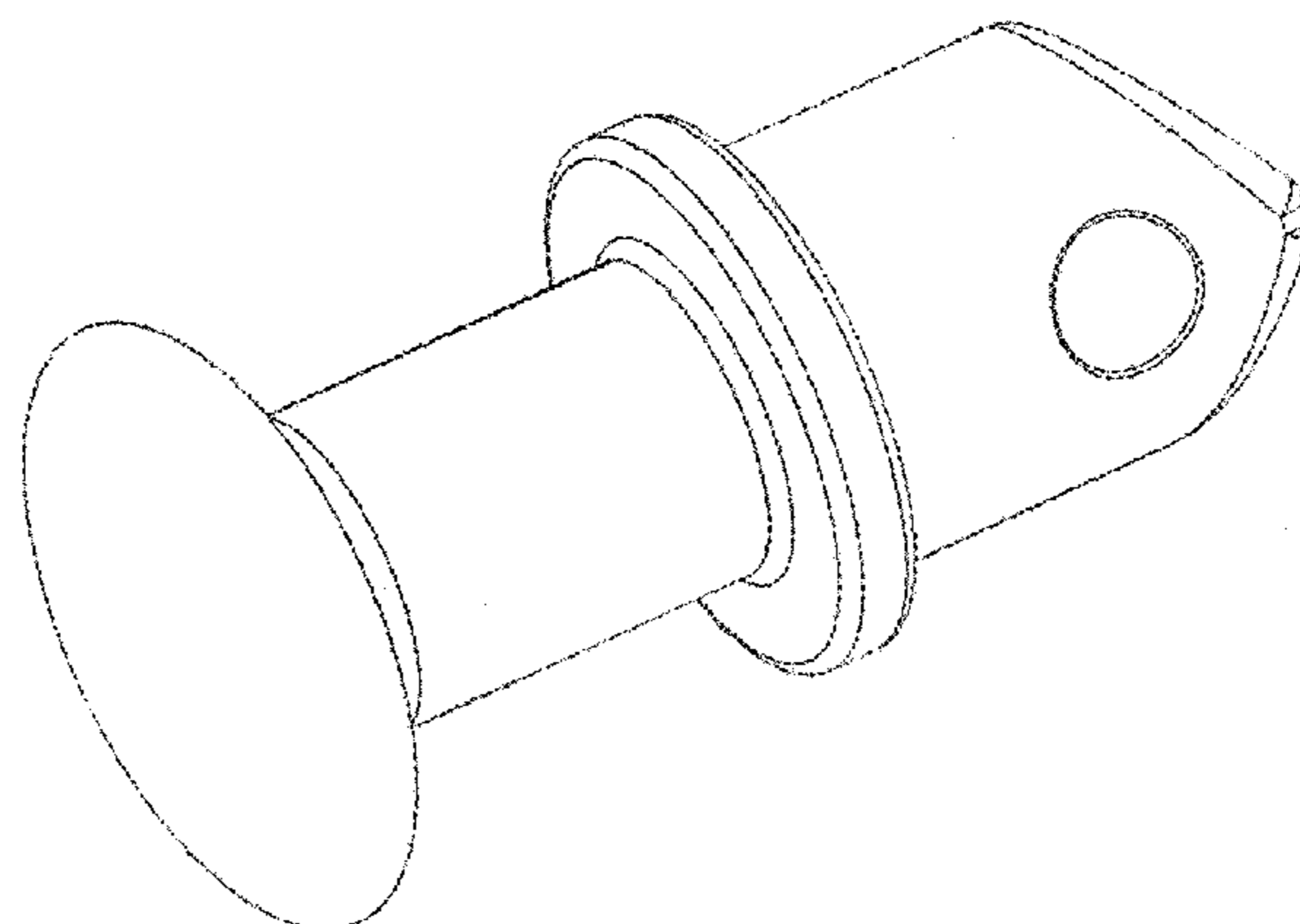
(57) **CLAIM**

The ornamental design for the component of an agricultural ground engaging chain, as shown and described.

DESCRIPTION

FIG. 1 is a front isometric view of the design for component of an agricultural ground engaging chain;
FIG. 2 is a rear isometric view of the design for component of an agricultural ground engaging chain;
FIG. 3 is a side view of the design for component of an agricultural ground engaging chain;
FIG. 4 is a top view of the design for component of an agricultural ground engaging chain;
FIG. 5 is a front view of the design for component of an agricultural ground engaging chain; and,
FIG. 6 is a rear view of the design for component of an agricultural ground engaging chain.

1 Claim, 3 Drawing Sheets



(56)

References Cited

U.S. PATENT DOCUMENTS

D615,108 S * 5/2010 Kelly A01B 23/06
D15/28
D623,500 S * 9/2010 Langner D8/349
7,963,345 B1 * 6/2011 Hicks A01B 21/08
172/579
D694,284 S * 11/2013 Paterson D15/28
D694,285 S * 11/2013 Paterson D15/28
D700,219 S * 2/2014 Paterson D15/28
8,662,195 B2 * 3/2014 Hicks A01B 21/08
172/579
D736,269 S * 8/2015 Paterson D15/29
D742,725 S * 11/2015 Paterson D8/367
D748,680 S * 2/2016 Ainge D15/29
9,388,637 B2 * 7/2016 Ainge B28D 1/146
D780,814 S * 3/2017 Ainge D15/29
D821,451 S * 6/2018 Paterson D15/28
2017/0013770 A1 * 1/2017 Ainge A01B 23/06

FOREIGN PATENT DOCUMENTS

GB 859317 1/1961
WO WO 2015/131246 9/2015
WO WO 2016/201486 12/2016

* cited by examiner

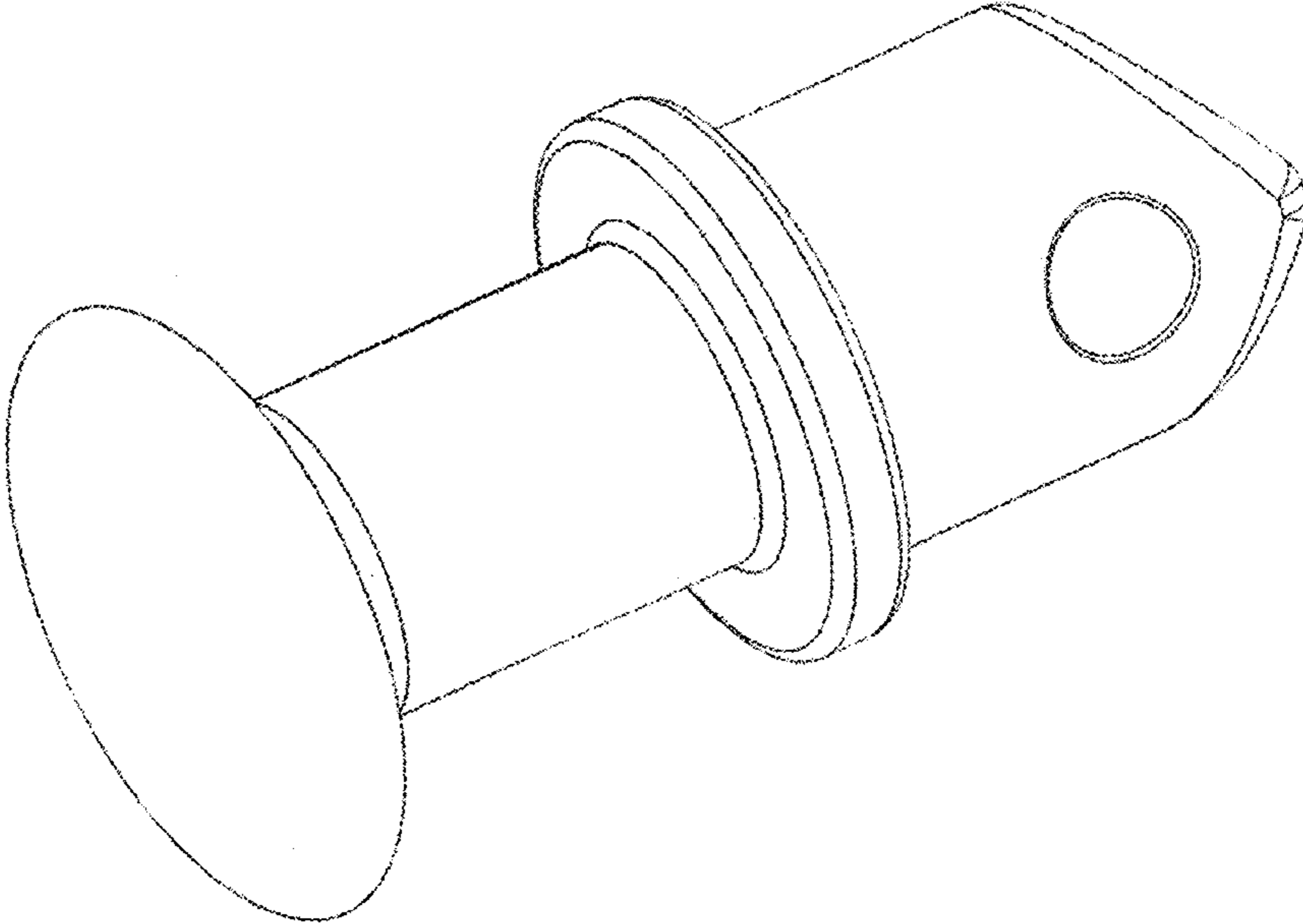


FIG. 1

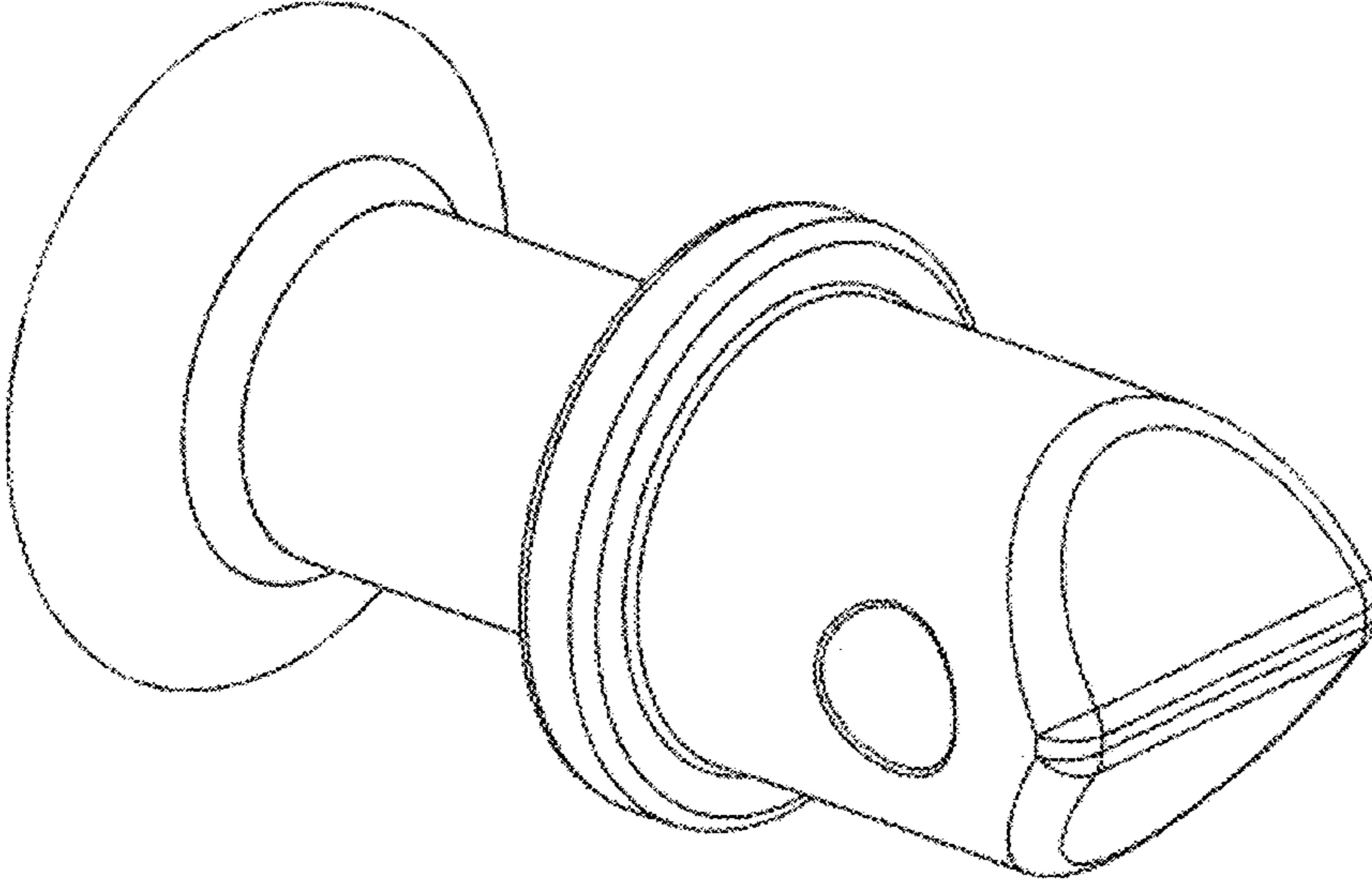


FIG. 2

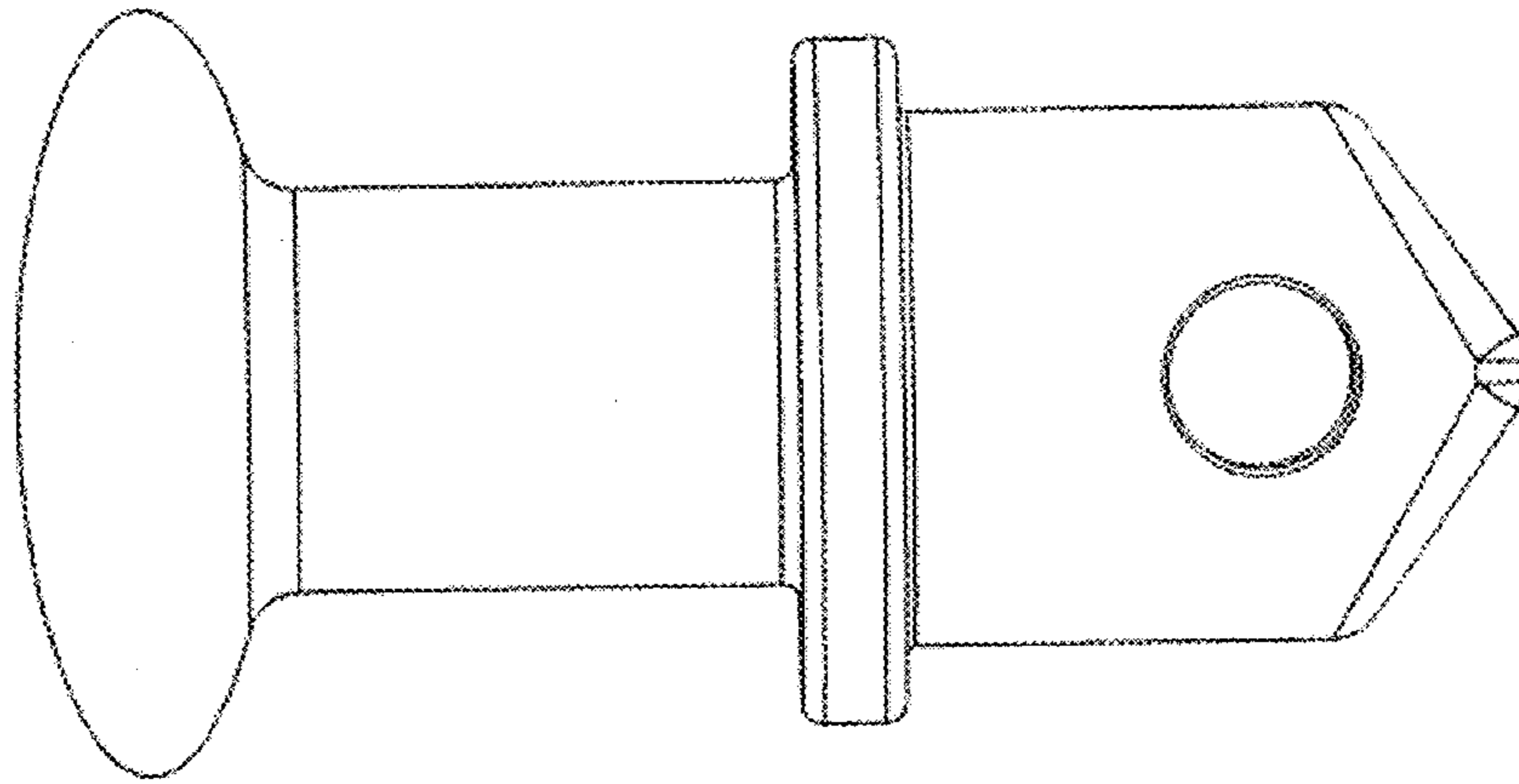


FIG. 3

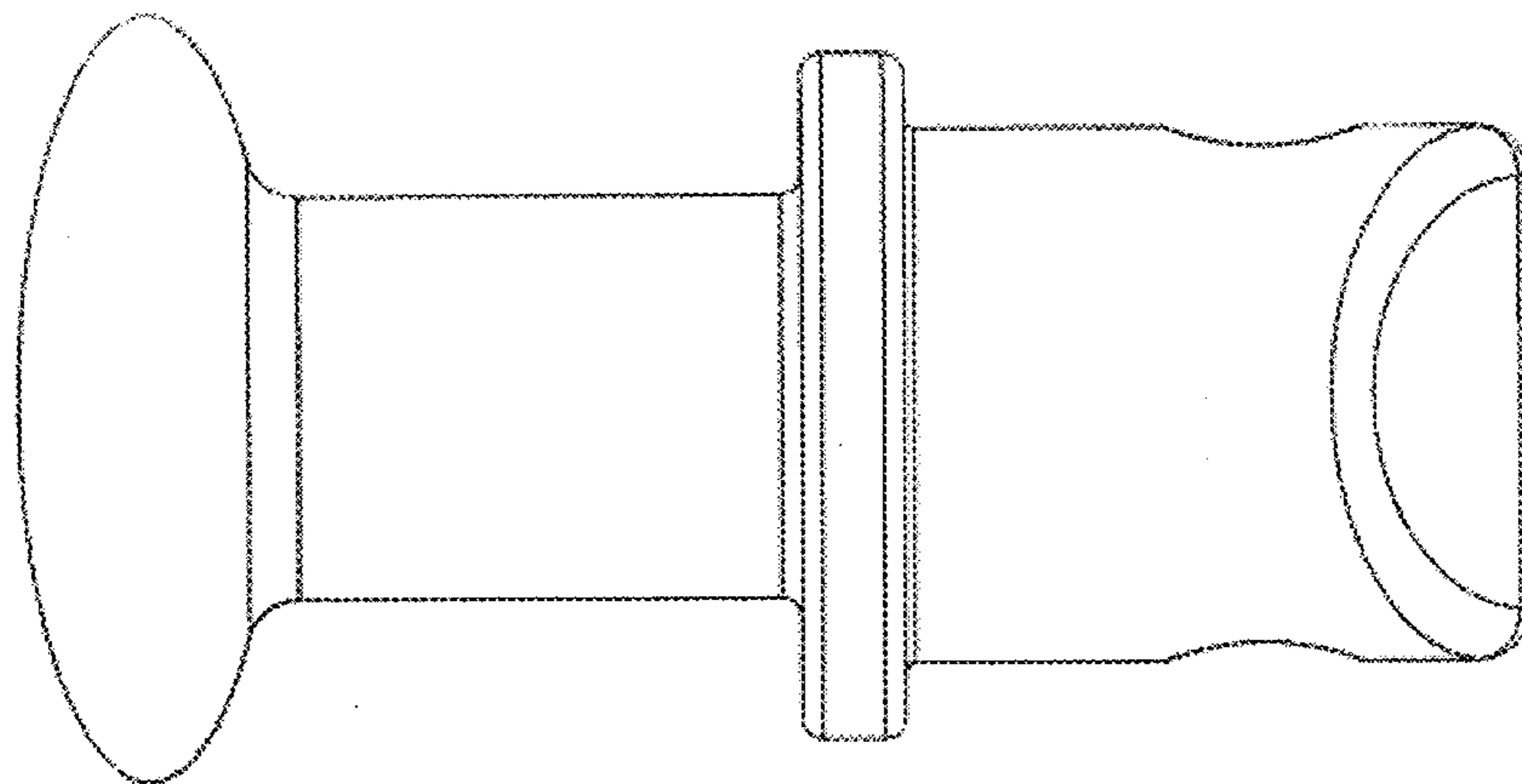


FIG. 4

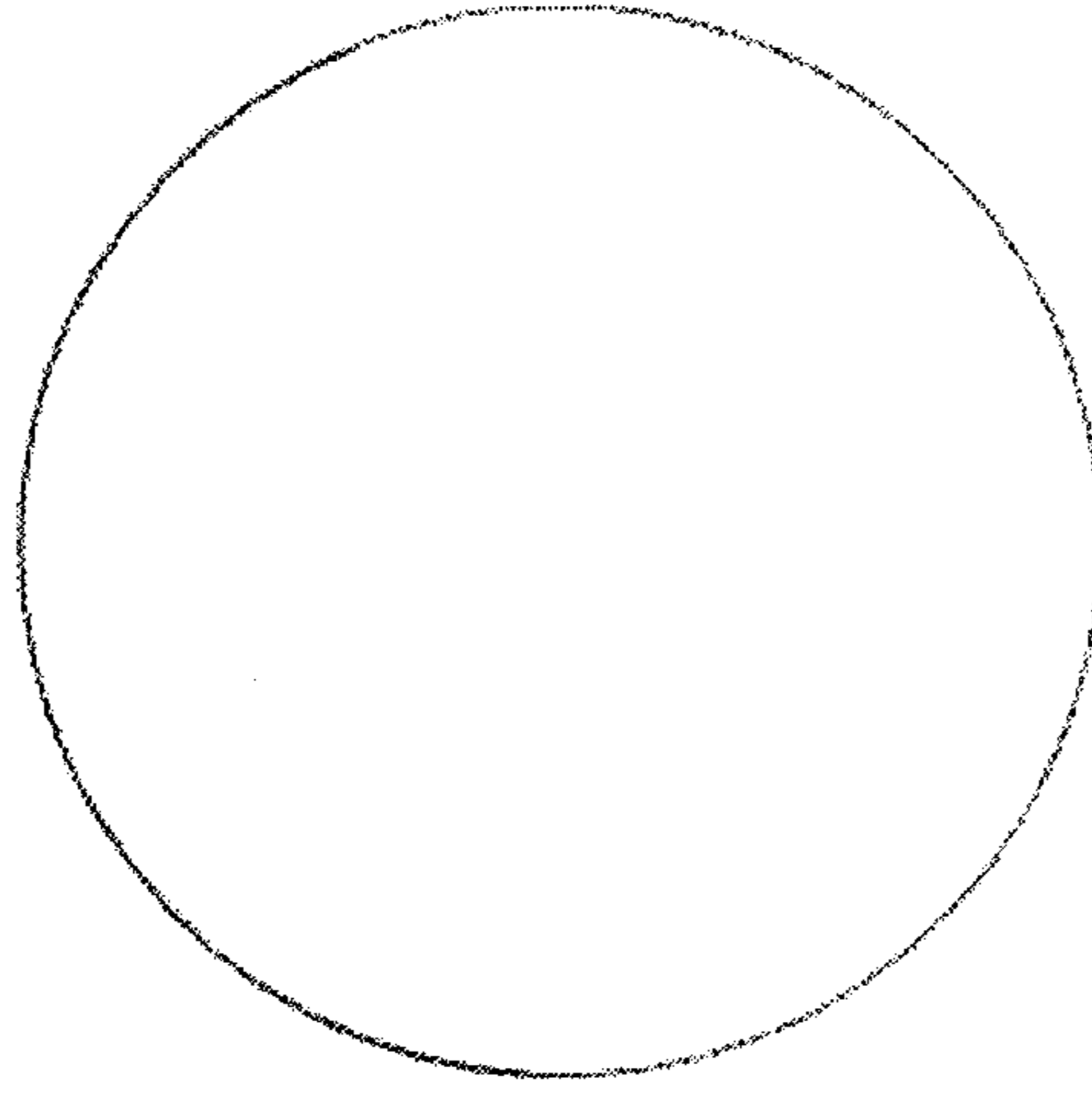


FIG. 5

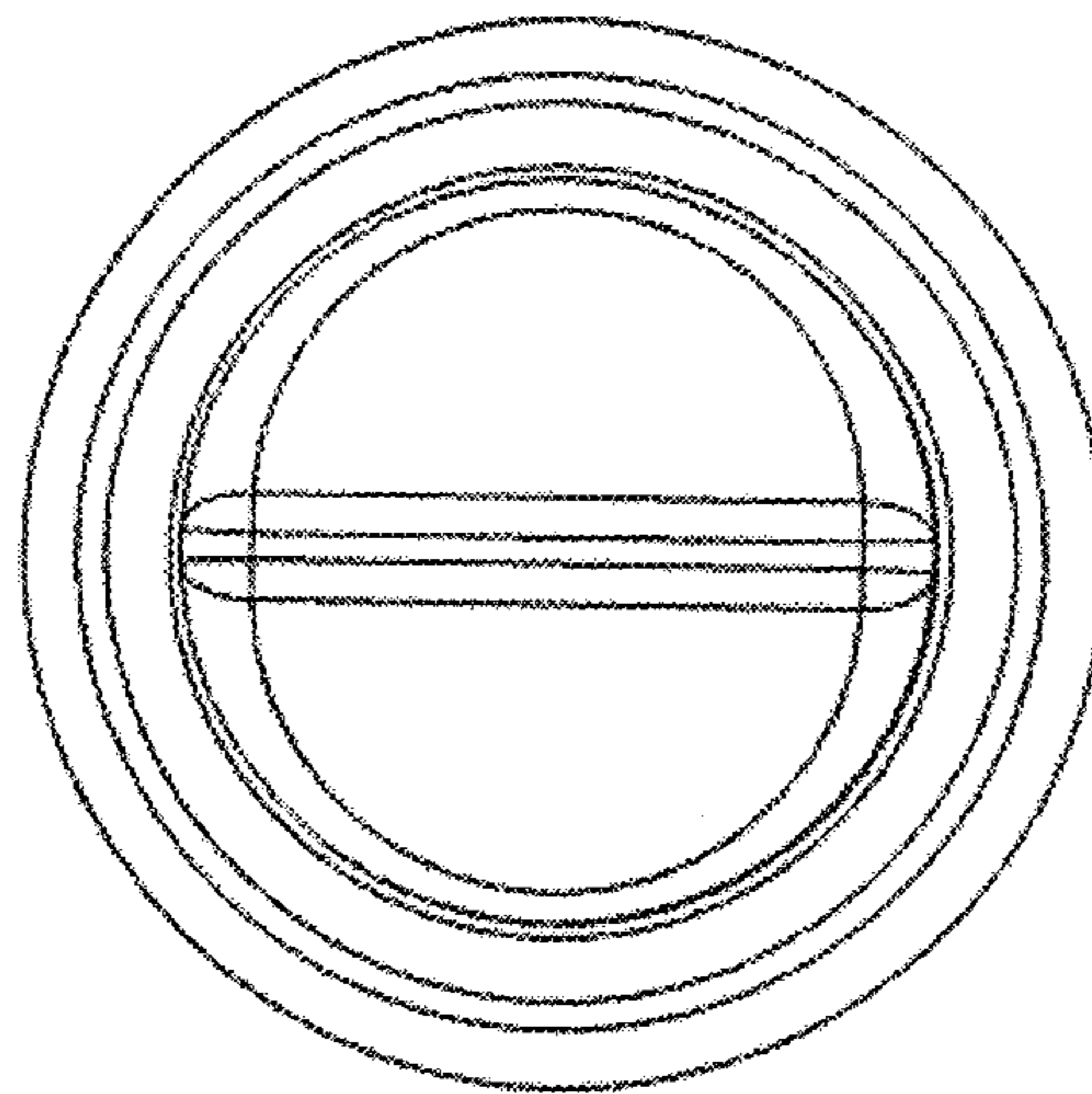


FIG. 6