



US00D856376S

(12) **United States Design Patent** (10) **Patent No.:** **US D856,376 S**  
**Søe** (45) **Date of Patent:** **\*\* Aug. 13, 2019**

(54) **MOBILE COILED TUBING DRILLING APPARATUS**

(71) Applicant: **MINEX CRC LTD**, Kensington, WA (US)

(72) Inventor: **Søren Pham Søe**, Adelaide (AU)

(\*\*) Term: **15 Years**

(21) Appl. No.: **29/611,047**

(22) Filed: **Jul. 18, 2017**

(30) **Foreign Application Priority Data**

Jan. 18, 2017 (AU) ..... 201710287

(51) **LOC (12) Cl.** ..... **15-03**

(52) **U.S. Cl.**  
USPC ..... **D15/22**

(58) **Field of Classification Search**  
USPC ..... D15/10-33  
CPC . E21B 7/00; E21B 7/023; E21B 7/024; E21B 7/02; E21B 3/02  
See application file for complete search history.

(56) **References Cited**

**U.S. PATENT DOCUMENTS**

- 4,049,065 A \* 9/1977 Walter ..... E21B 3/02  
175/52
- D253,535 S \* 11/1979 Schmidt ..... D15/21
- 4,371,041 A \* 2/1983 Becker ..... E21B 3/02  
173/147
- 4,449,592 A \* 5/1984 Mayer ..... E21B 19/20  
173/164
- 4,703,812 A \* 11/1987 Johnson ..... E21B 7/02  
173/152
- 5,236,054 A \* 8/1993 Jack ..... E21B 7/028  
175/57
- 5,273,124 A \* 12/1993 Lloyd ..... E21B 3/02  
173/185

- 5,564,522 A \* 10/1996 Markin ..... B66F 11/044  
182/2.7
- 5,630,477 A \* 5/1997 Minatre ..... E21B 7/02  
173/147
- 5,927,408 A \* 7/1999 Dummer ..... E21B 19/083  
173/1
- 5,931,238 A \* 8/1999 Gilmore ..... E21B 19/20  
175/52
- 9,657,524 B2 \* 5/2017 Klein ..... E21B 3/02
- 9,703,290 B1 \* 7/2017 Vandapel ..... G05D 1/0088
- 9,790,742 B2 \* 10/2017 Spreitzer ..... E21B 7/024
- 2004/0178004 A1 \* 9/2004 MacDonald ..... E21B 7/024  
175/162

(Continued)

*Primary Examiner* — Mark A Goodwin

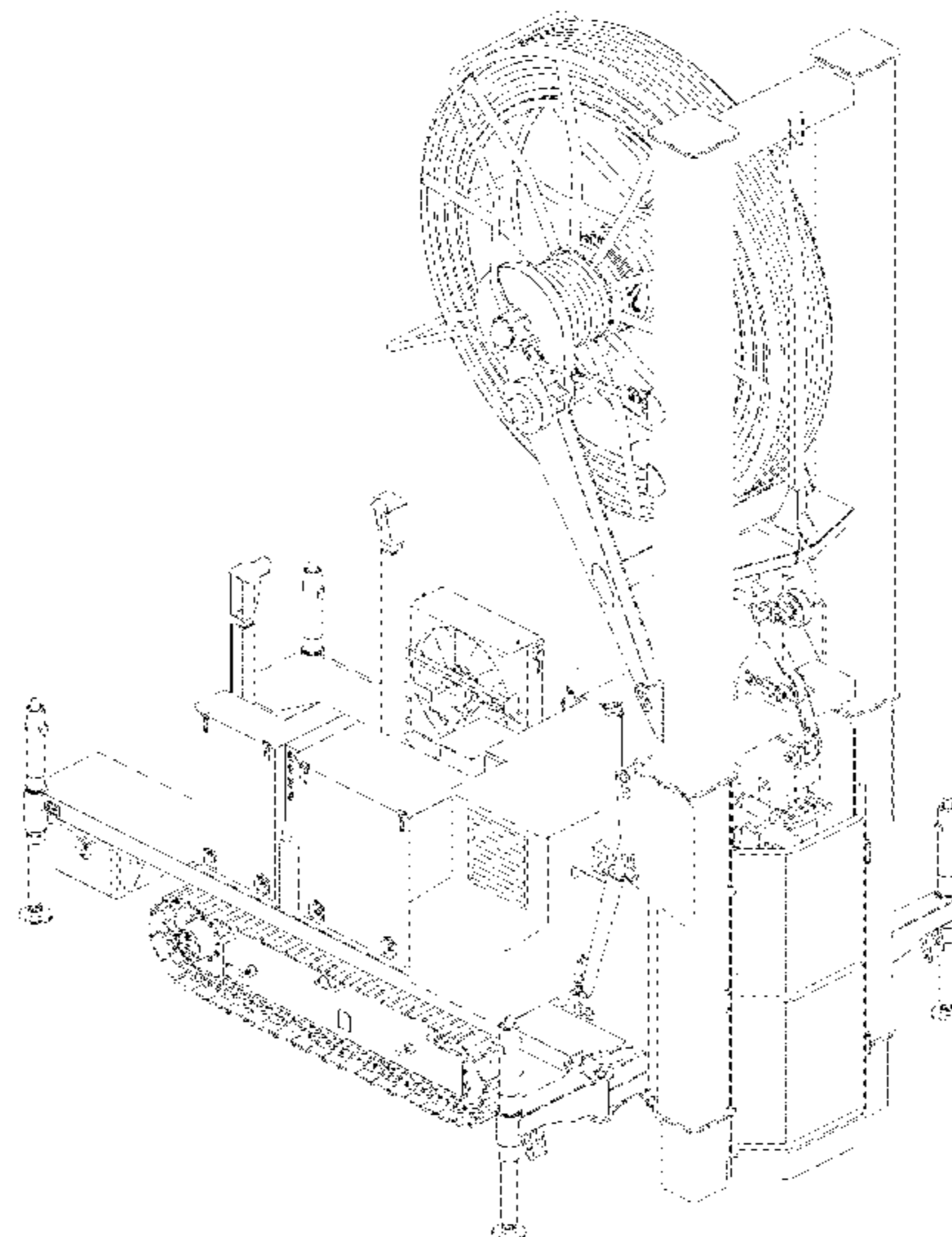
(57) **CLAIM**

The ornamental design for a mobile coiled tubing drilling apparatus, as shown and described.

**DESCRIPTION**

FIG. 1 is a front perspective view of a mobile coiled tubing drilling apparatus in a drilling position according to a first embodiment of my design;  
 FIG. 2 is a front elevational view thereof;  
 FIG. 3 is a left side elevational view thereof;  
 FIG. 4 is a right side elevational view thereof;  
 FIG. 5 is a rear elevational view thereof;  
 FIG. 6 is a top plan view thereof;  
 FIG. 7 is a bottom plan view thereof;  
 FIG. 8 is a front perspective view of a mobile coiled tubing drilling apparatus in a transport position according to a second embodiment of my design;  
 FIG. 9 is a front elevational view thereof;  
 FIG. 10 is a left side elevational view thereof;  
 FIG. 11 is a right side elevational view thereof;  
 FIG. 12 is a rear elevational view thereof;  
 FIG. 13 is a top plan view thereof; and,  
 FIG. 14 is a bottom plan view thereof.

**1 Claim, 14 Drawing Sheets**



(56)

**References Cited**

U.S. PATENT DOCUMENTS

2014/0284107 A1\* 9/2014 Klein ..... E21B 3/02  
175/55  
2017/0226808 A1\* 8/2017 Vandapel ..... E21B 21/015  
2018/0245304 A1\* 8/2018 Koller ..... E02D 11/00

\* cited by examiner

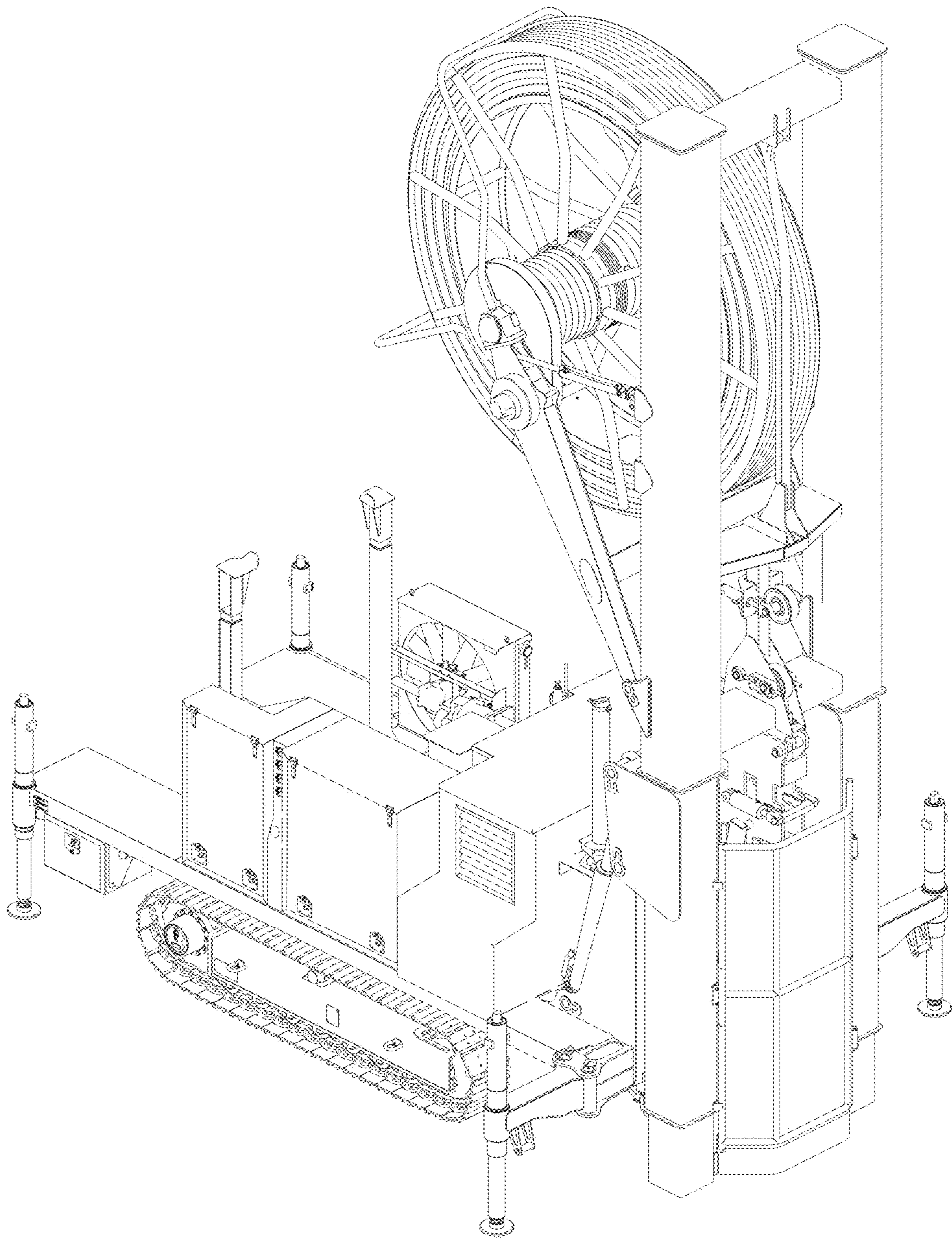


Fig. 1

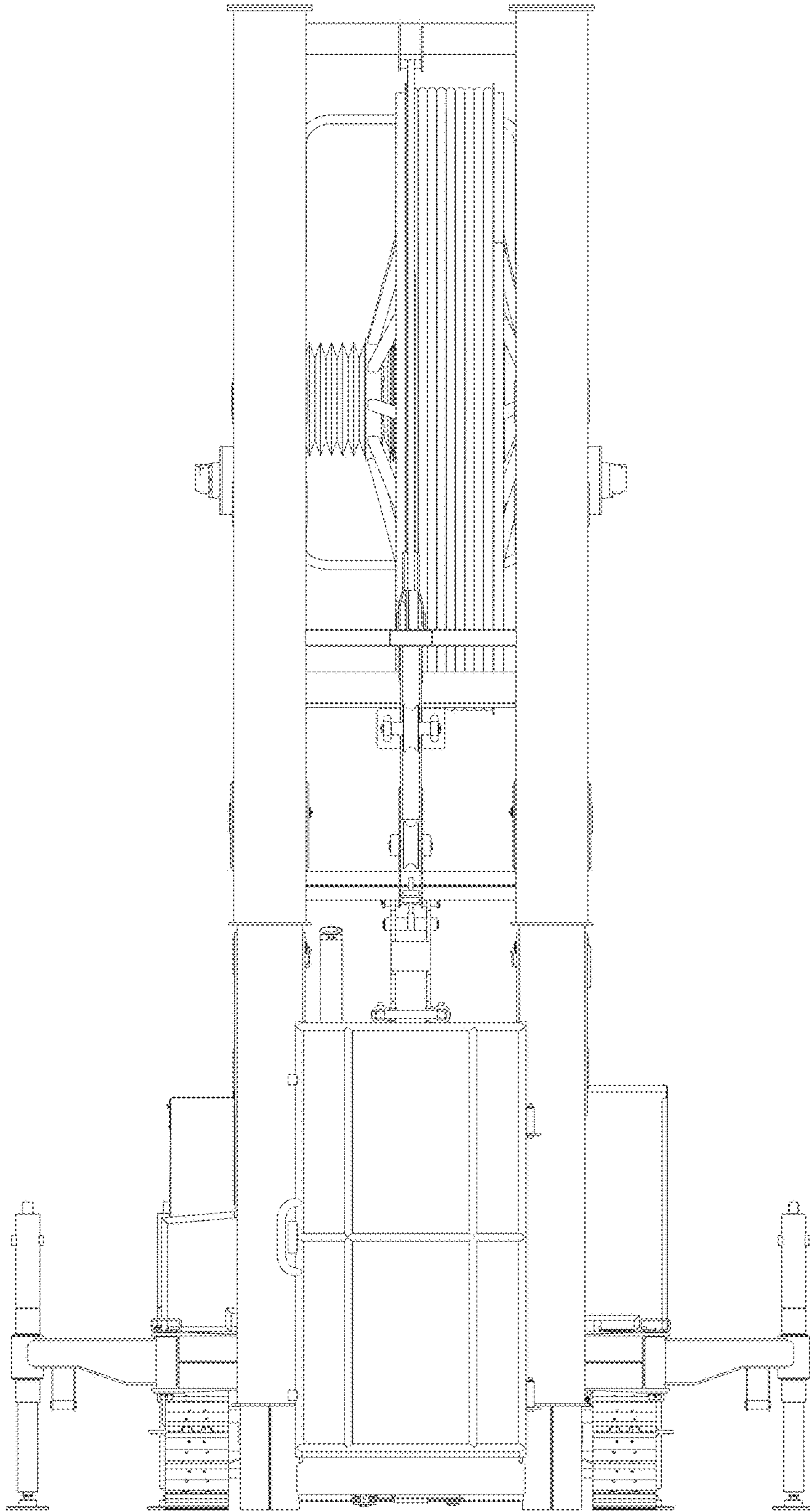


Fig. 2

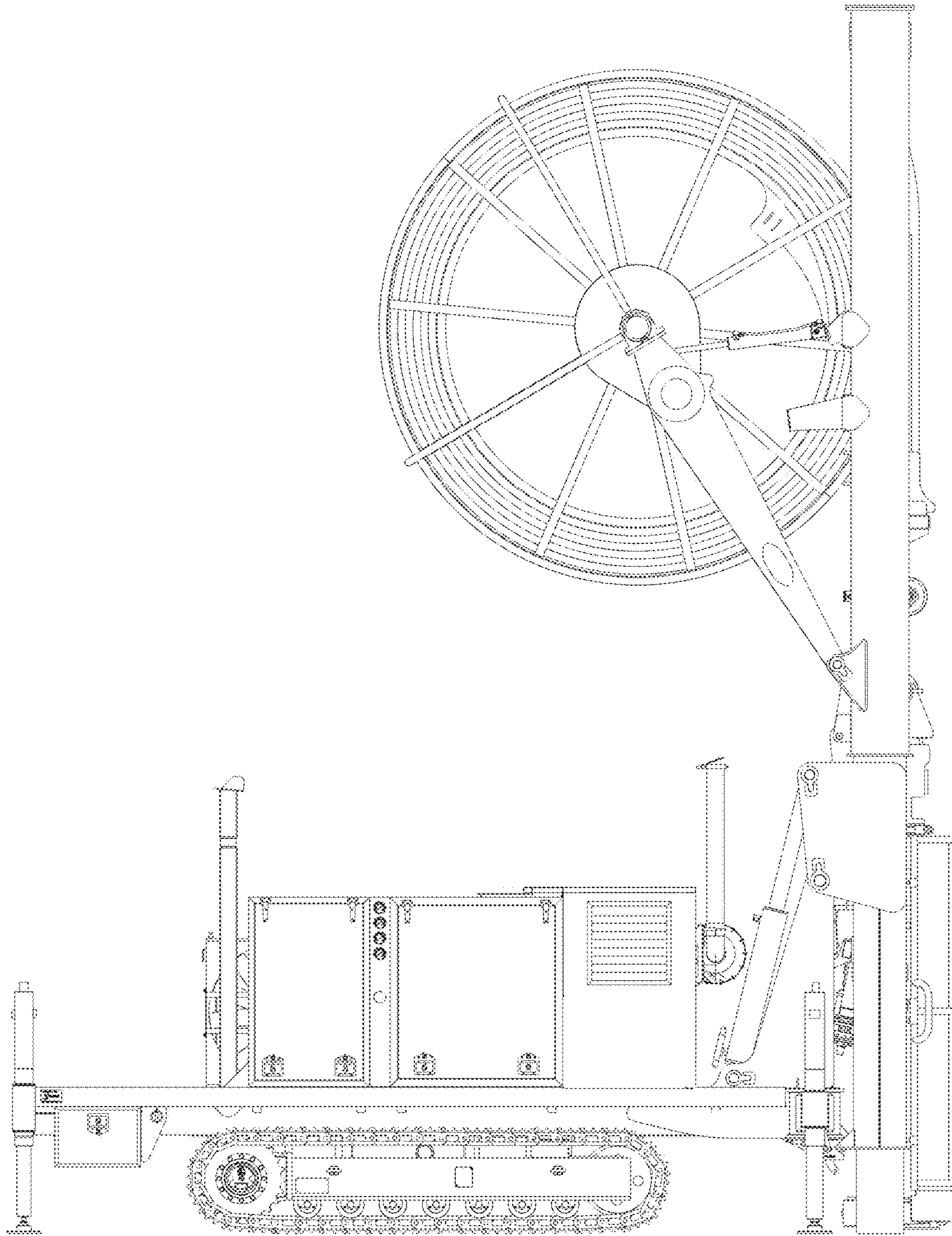


Fig. 3

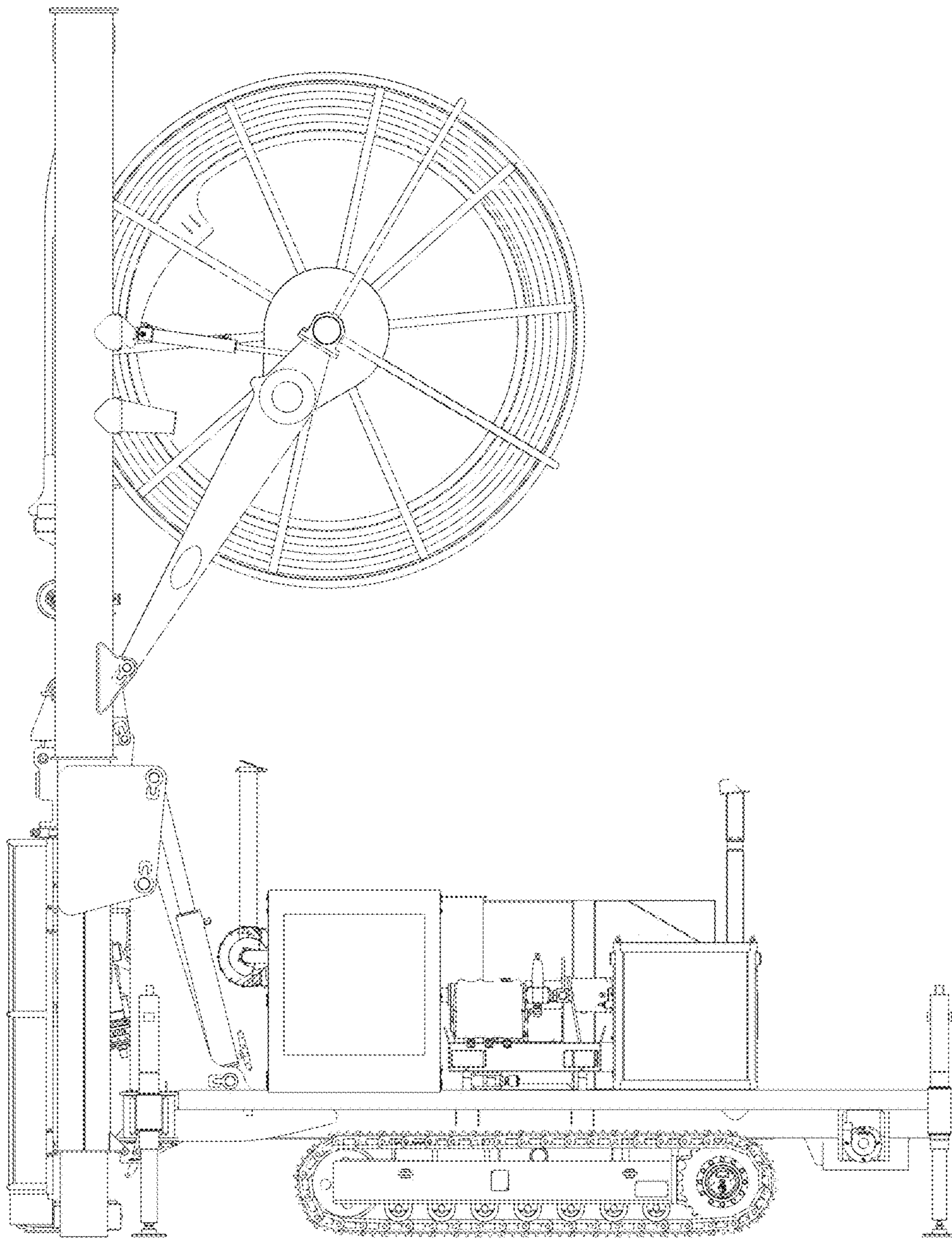


Fig. 4

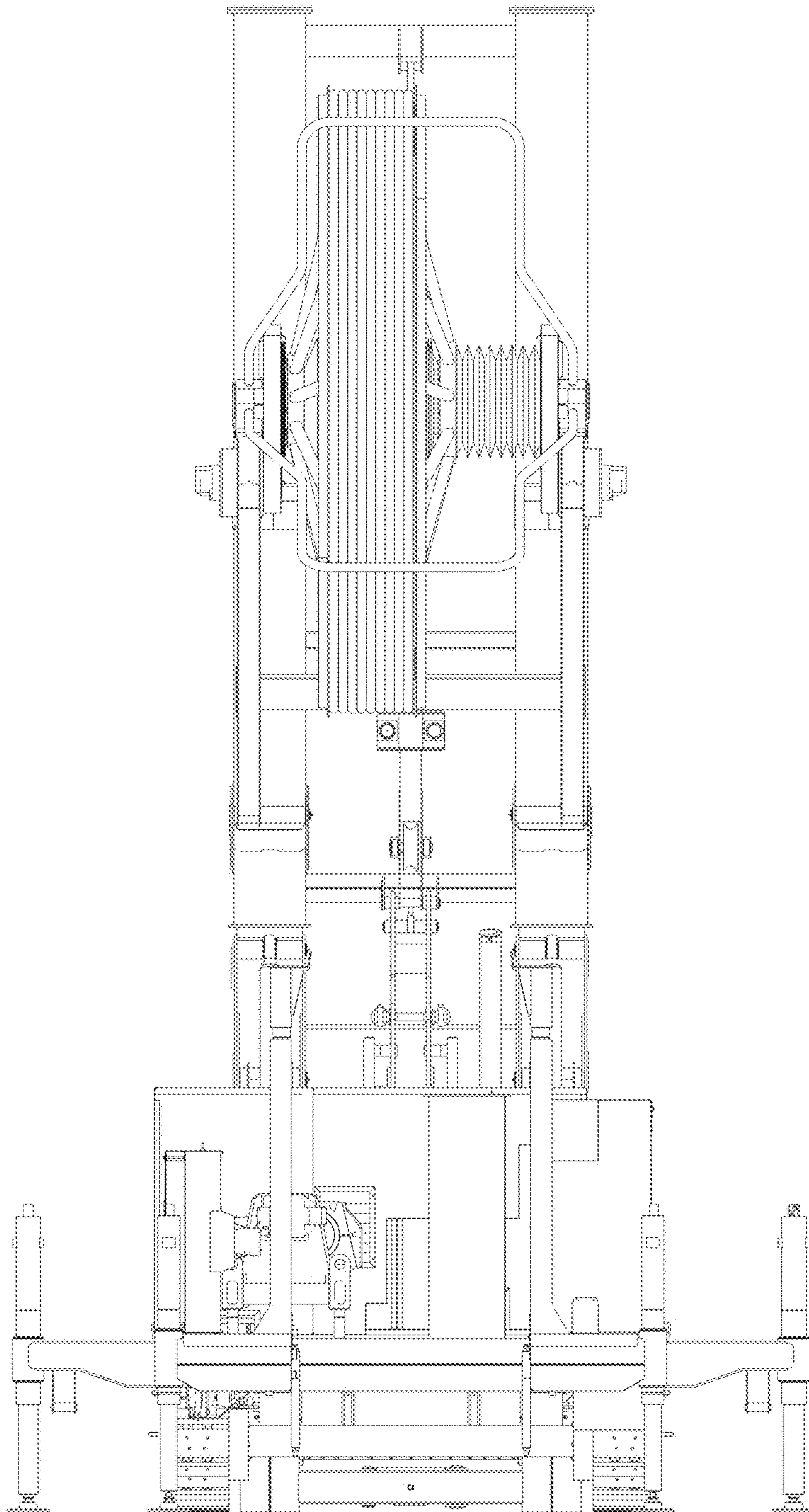


Fig. 5

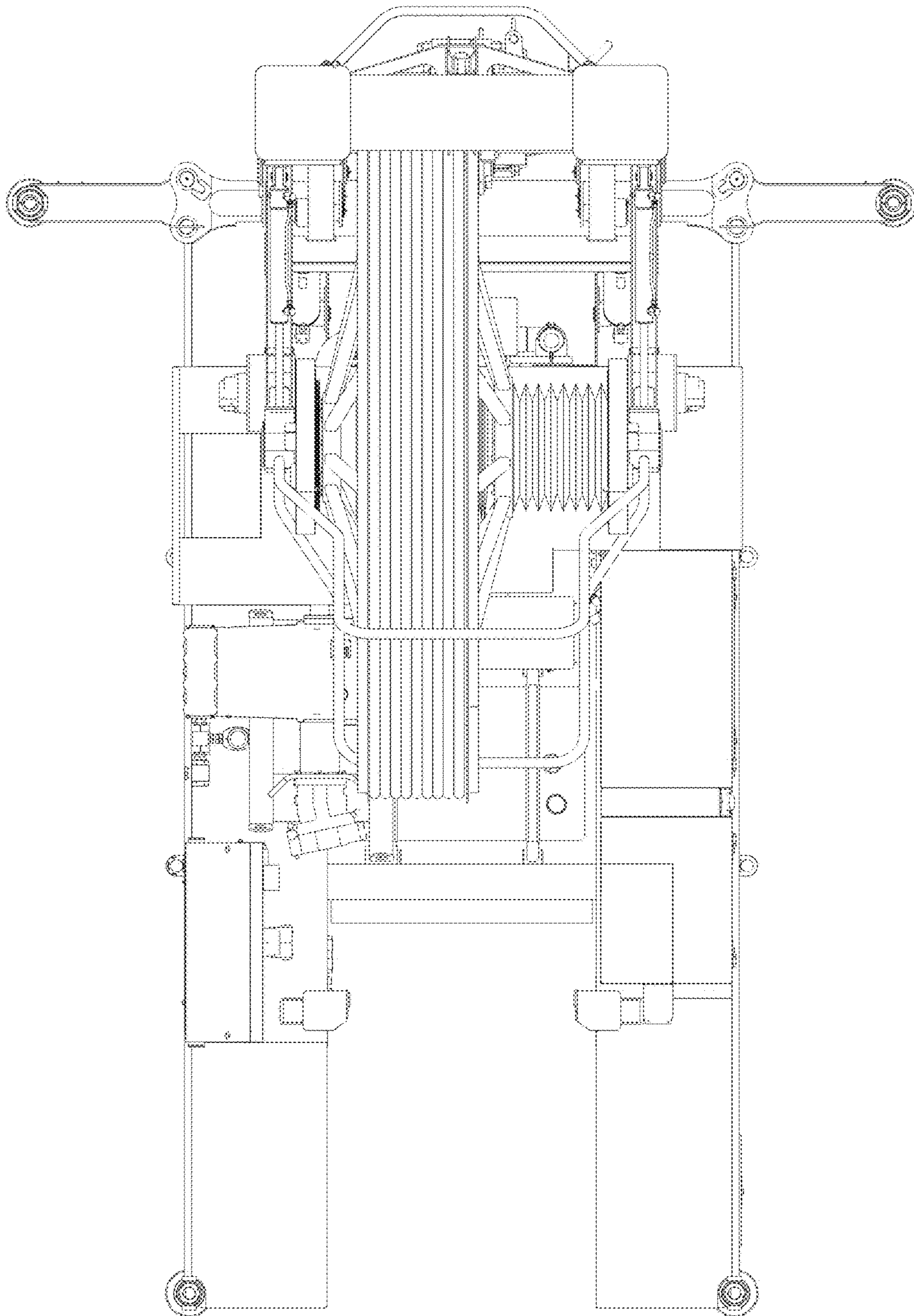


Fig. 6



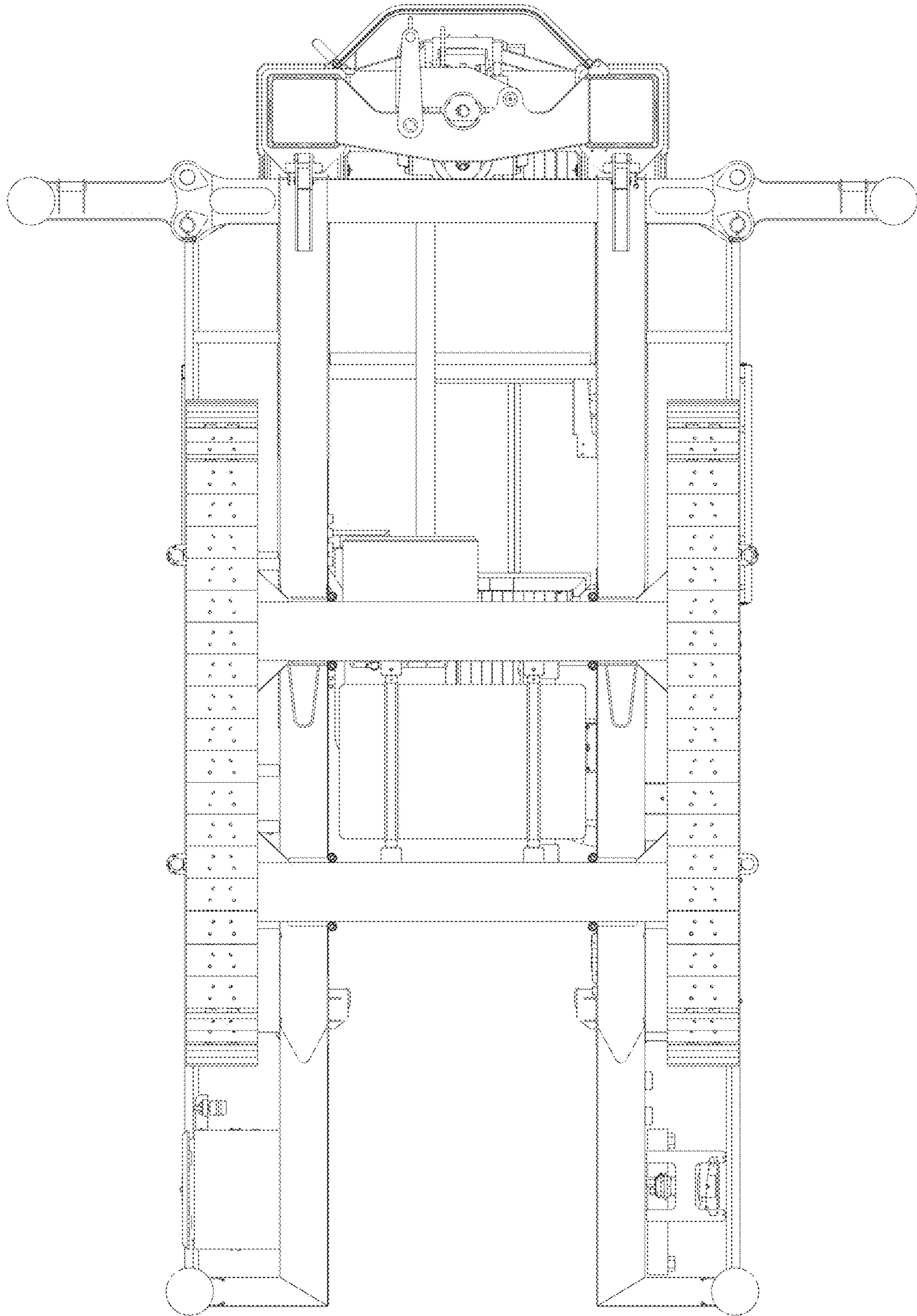


Fig. 7

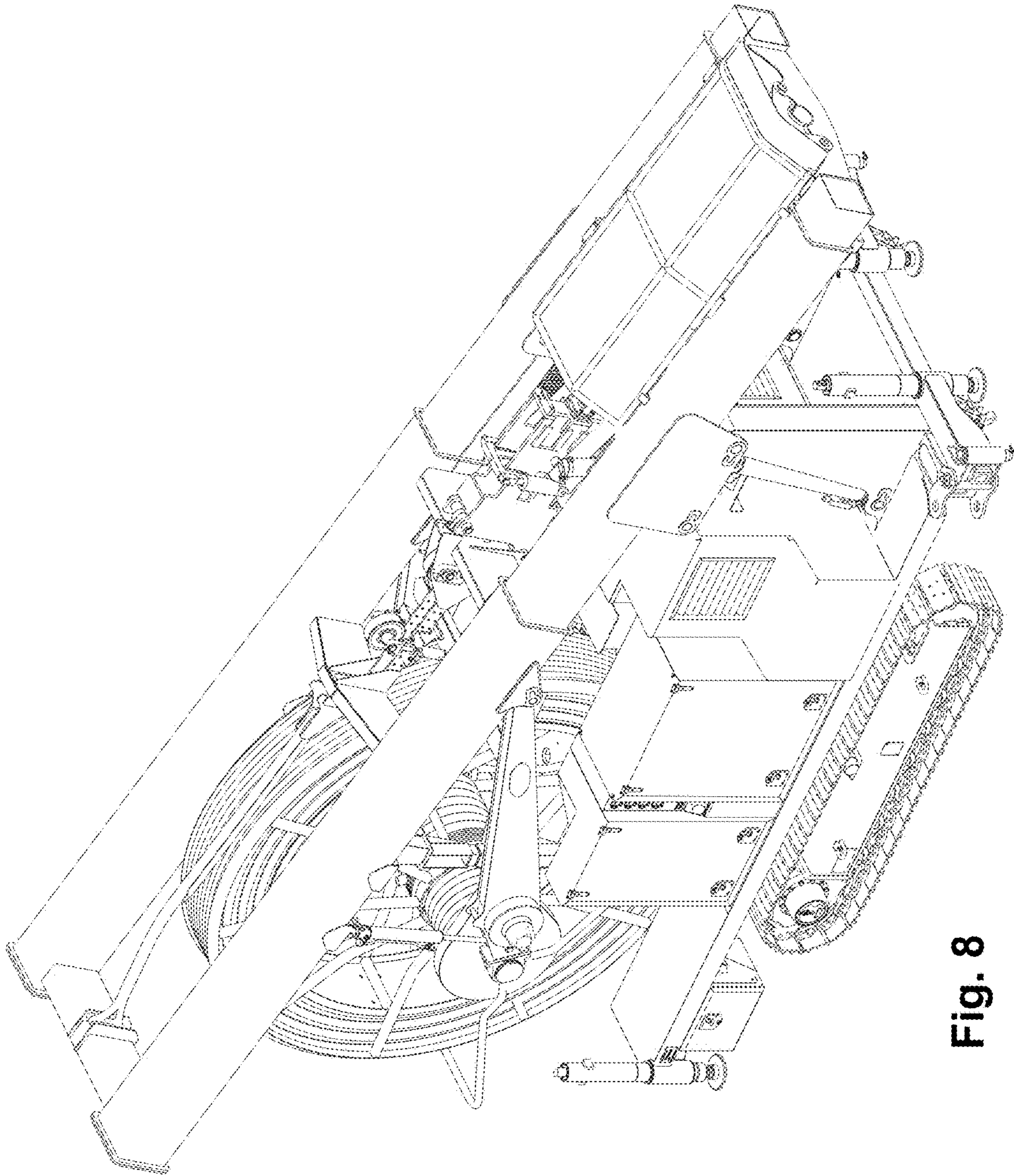


Fig. 8

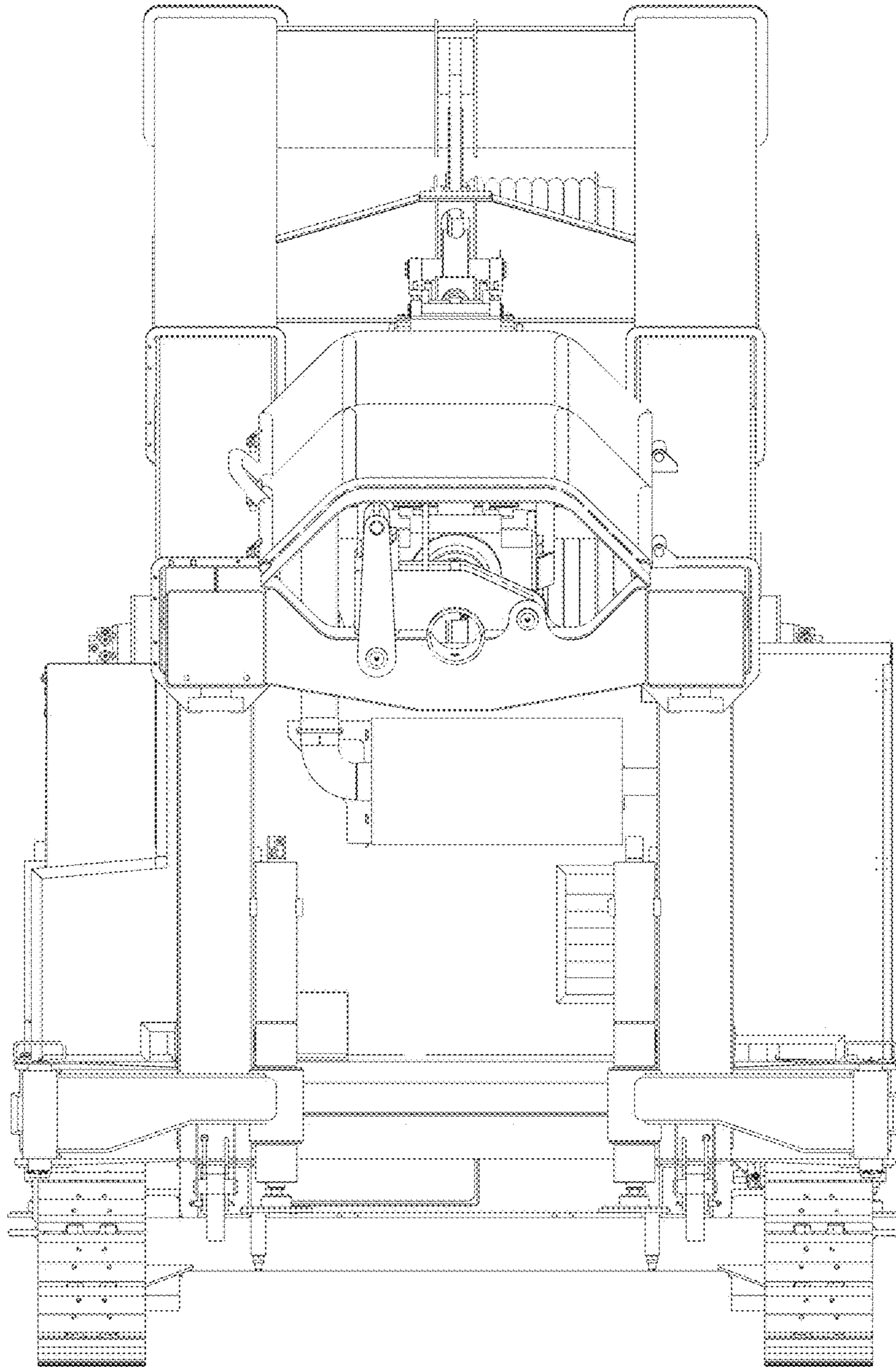


Fig. 9

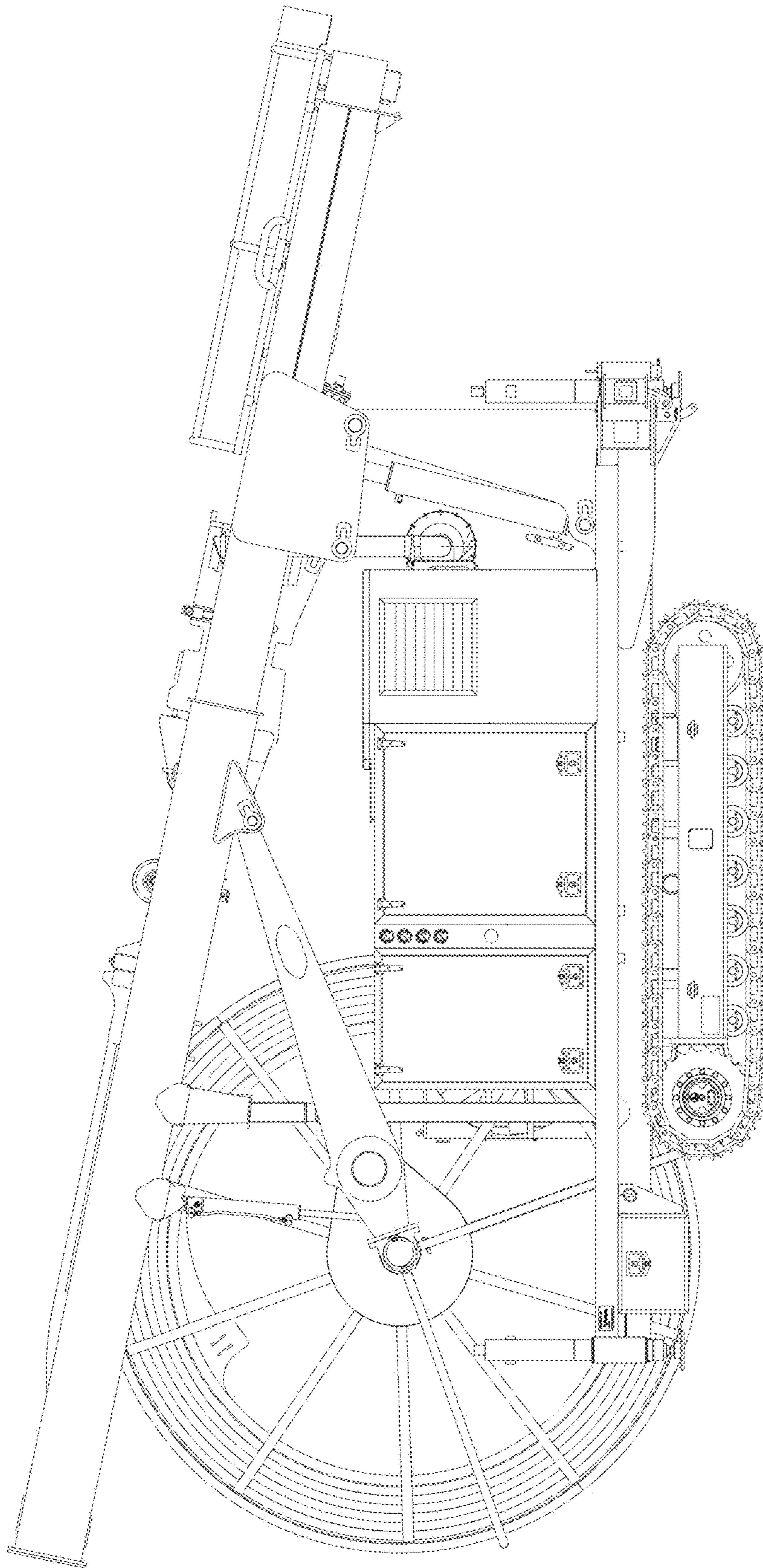


Fig. 10

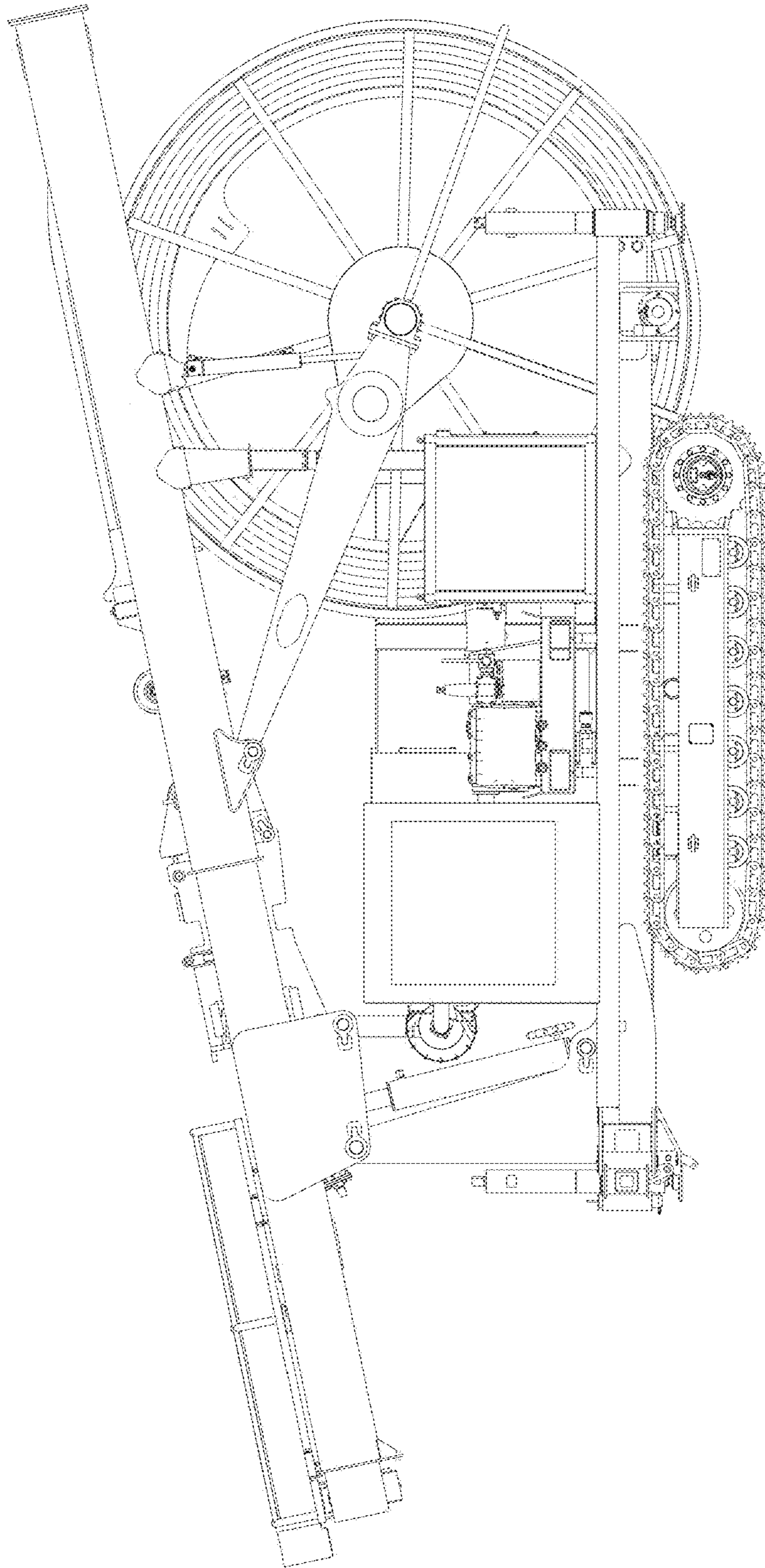


Fig. 11

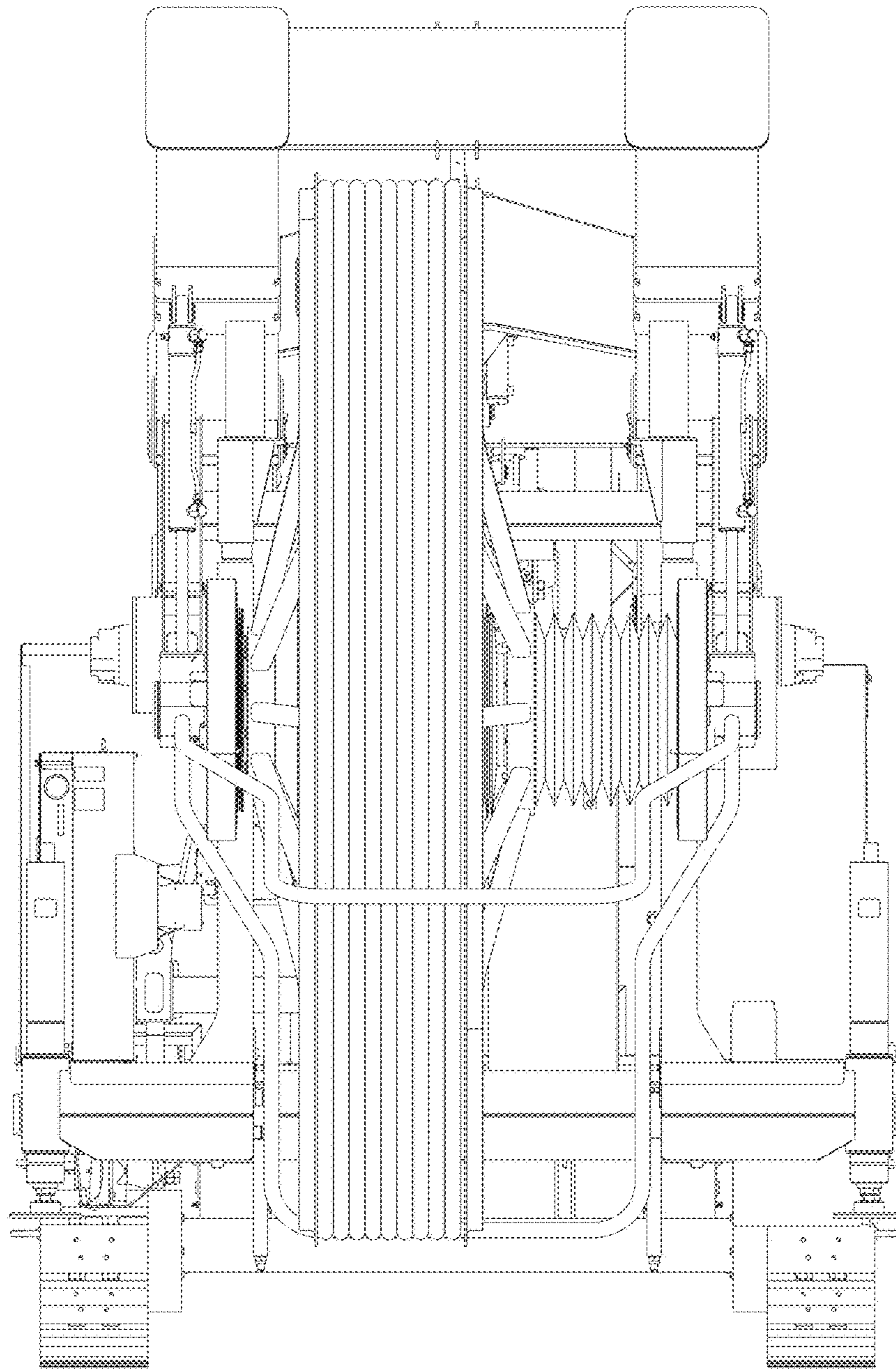


Fig. 12

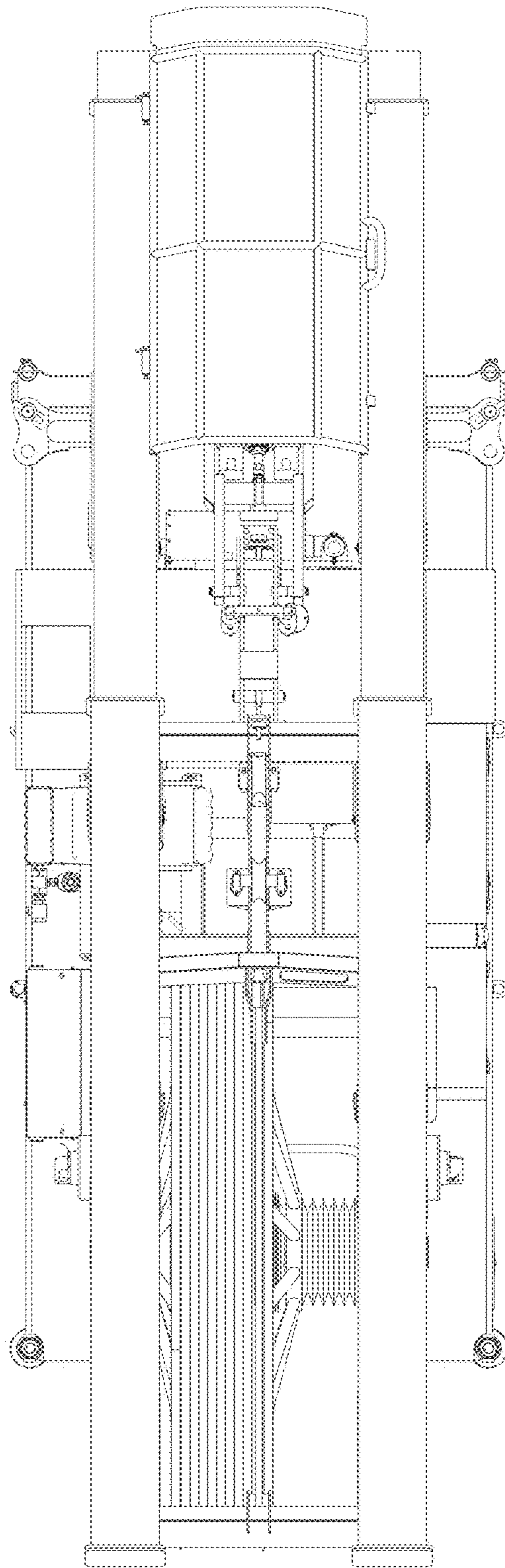


Fig. 13

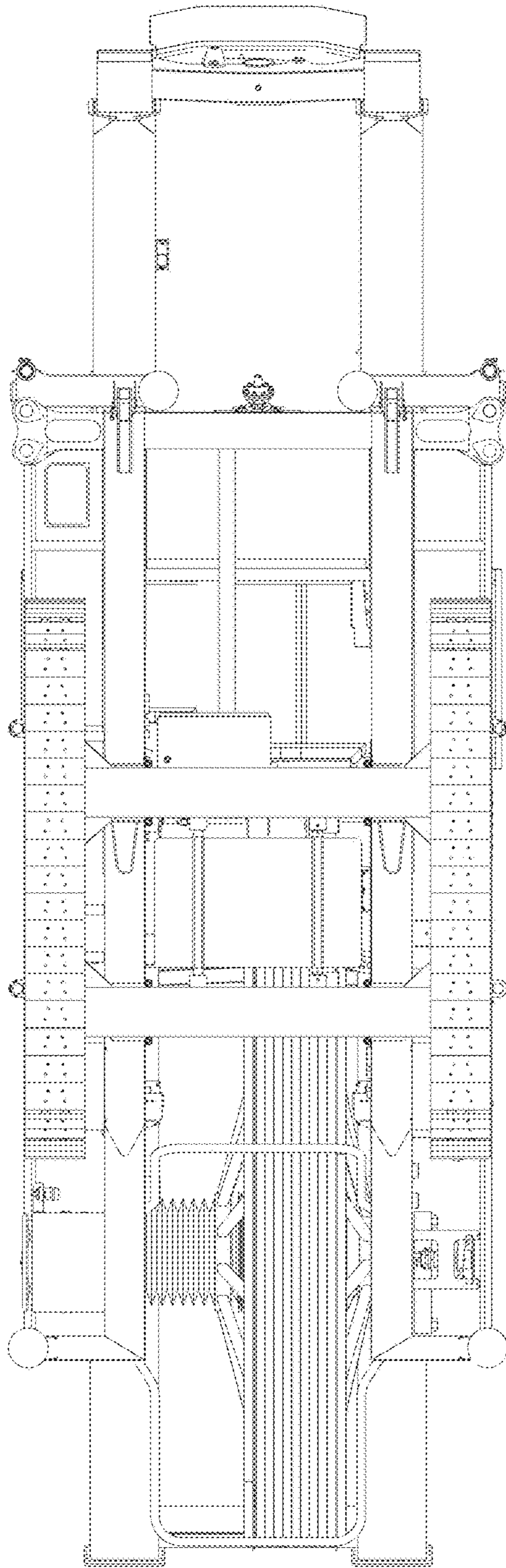


Fig. 14