



US00D856373S

(12) **United States Design Patent**
Tallman

(10) **Patent No.:** **US D856,373 S**

(45) **Date of Patent:** **** Aug. 13, 2019**

- (54) **OCTAGONAL SNORKEL**
- (71) Applicant: **Kyle Tallman**, Waxahachie, TX (US)
- (72) Inventor: **Kyle Tallman**, Waxahachie, TX (US)
- (**) Term: **15 Years**
- (21) Appl. No.: **29/545,079**
- (22) Filed: **Nov. 9, 2015**
- (51) **LOC (12) Cl.** **15-01**
- (52) **U.S. Cl.**
USPC **D15/5**
- (58) **Field of Classification Search**
USPC D15/5; D24/110.5, 110.4
CPC F02M 35/10013; F02M 35/161; F02M
35/162; F02M 35/10006; F02M 35/10;
F02M 35/048; F02M 35/10019; F02M
35/10091; F02M 23/003; F02M 35/0201;
F02M 35/10072; F02M 35/10124; F02M
35/10163; B60K 13/02; B62K 5/01;
B60Y 2200/20

See application file for complete search history.

D693,370 S *	11/2013	Randhawa	D15/5
8,960,347 B2 *	2/2015	Bennett	B60K 13/02 180/68.3
9,234,484 B2 *	1/2016	Lewington	F02M 35/10013
D752,109 S *	3/2016	Harriton	D15/5
D774,101 S *	12/2016	Delgado	D15/5
9,683,527 B2 *	6/2017	Tallman	F02M 35/10013
9,725,023 B2 *	8/2017	Miller	B60P 1/04
2009/0151308 A1 *	6/2009	Jung	F02M 35/022 55/337
2010/0147243 A1 *	6/2010	Stec	F02M 35/10013 123/184.21
2014/0008136 A1 *	1/2014	Bennett	B60K 13/02 180/68.3
2015/0240760 A1 *	8/2015	Lewington	F02M 35/10013 95/269

* cited by examiner

Primary Examiner — T Chase Nelson
Assistant Examiner — Ania Aman
(74) *Attorney, Agent, or Firm* — Norred Law, PLLC;
Warren V. Norred

(57) **CLAIM**

I claim the ornamental design for an octagonal snorkel, as shown and described.

(56) **References Cited**

U.S. PATENT DOCUMENTS

4,366,878 A *	1/1983	Warf	B60K 13/02 180/68.3
7,637,978 B2 *	12/2009	Jung	F02M 35/022 55/396
D636,408 S *	4/2011	Luxon	D12/400
D636,787 S *	4/2011	Luxon	D12/400
D637,205 S *	5/2011	Luxon	D12/400
D637,206 S *	5/2011	Luxon	D12/400
D649,162 S *	11/2011	Luxon	D12/400
D687,072 S *	7/2013	Bennett	D15/5

DESCRIPTION

FIG. 1 is an orthogonal rear view of the present invention.
FIG. 2 is a left view thereof.
FIG. 3 is an orthogonal front view of the riser portion of the claimed invention.
FIG. 4 is a bottom view of the invention; and,
FIG. 5 is a top view thereof.
In the drawings, the broken lines depict unclaimed subject matter only and form no part of the claimed design.

1 Claim, 5 Drawing Sheets

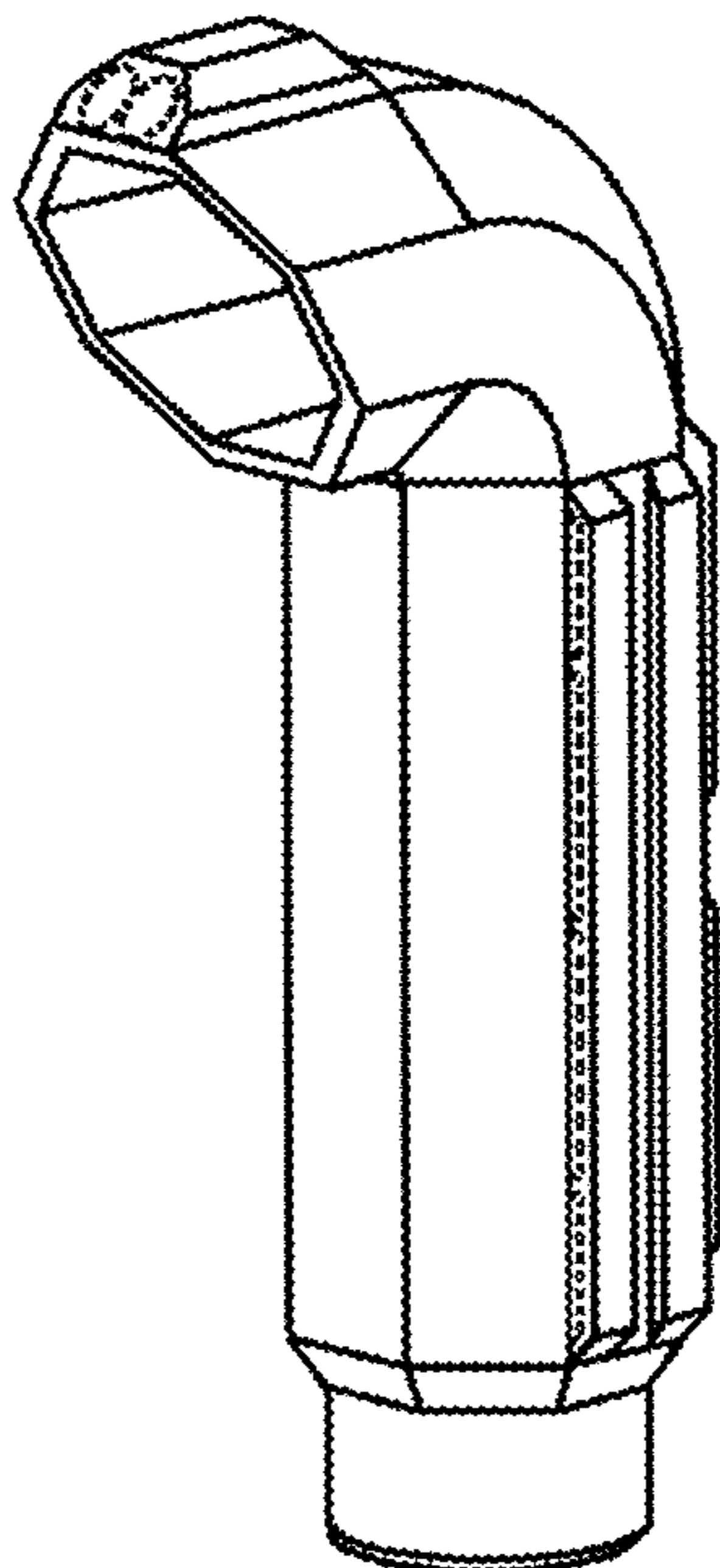


FIG. 1

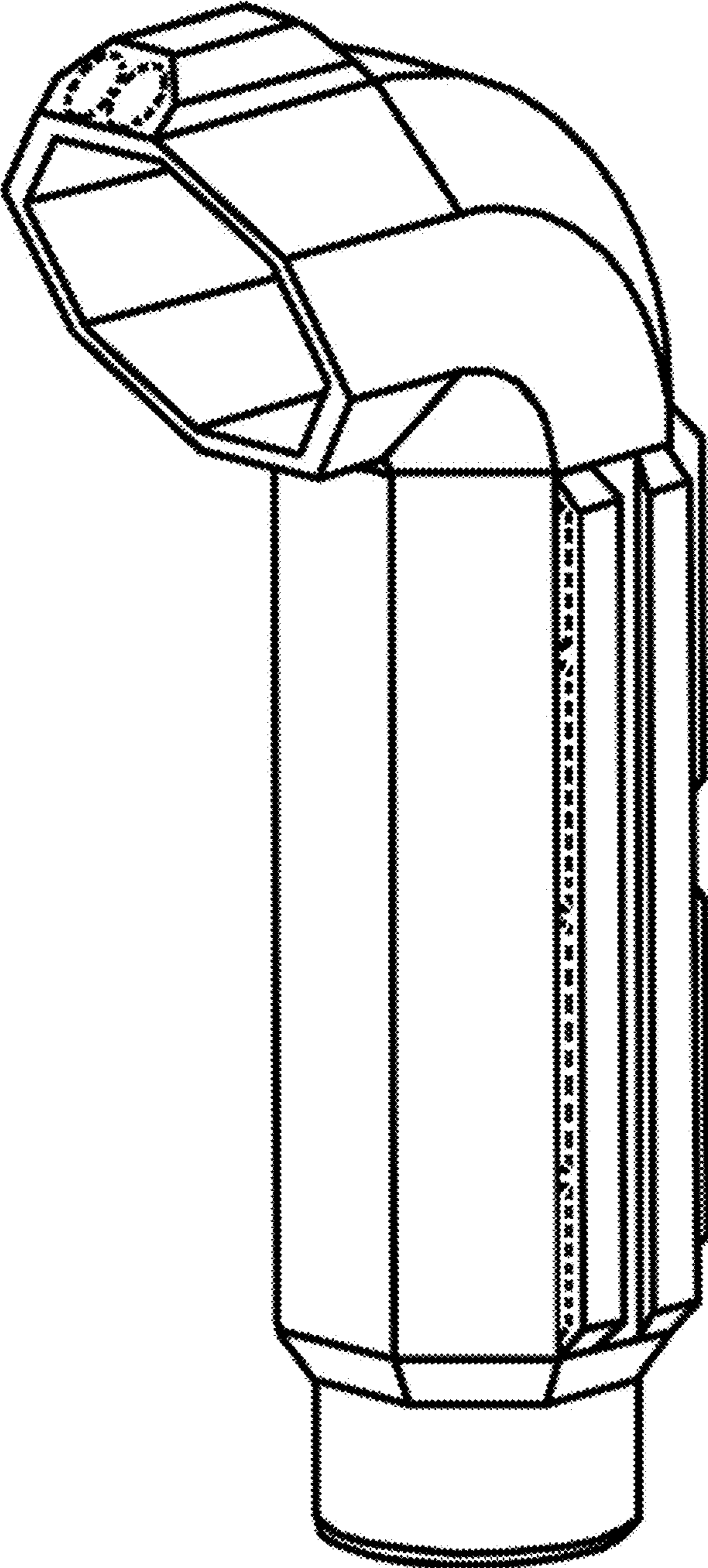


FIG. 2

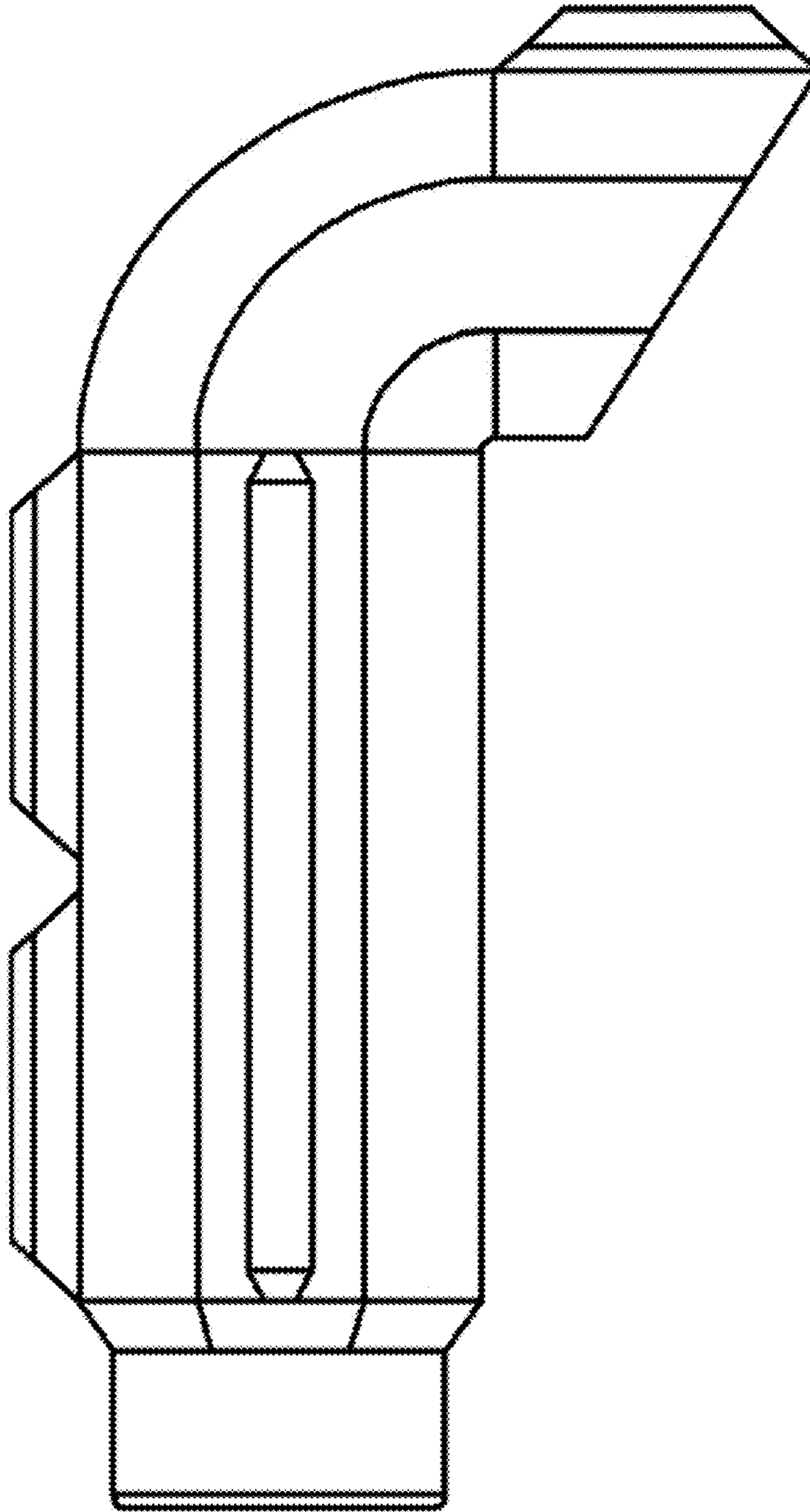


FIG. 3

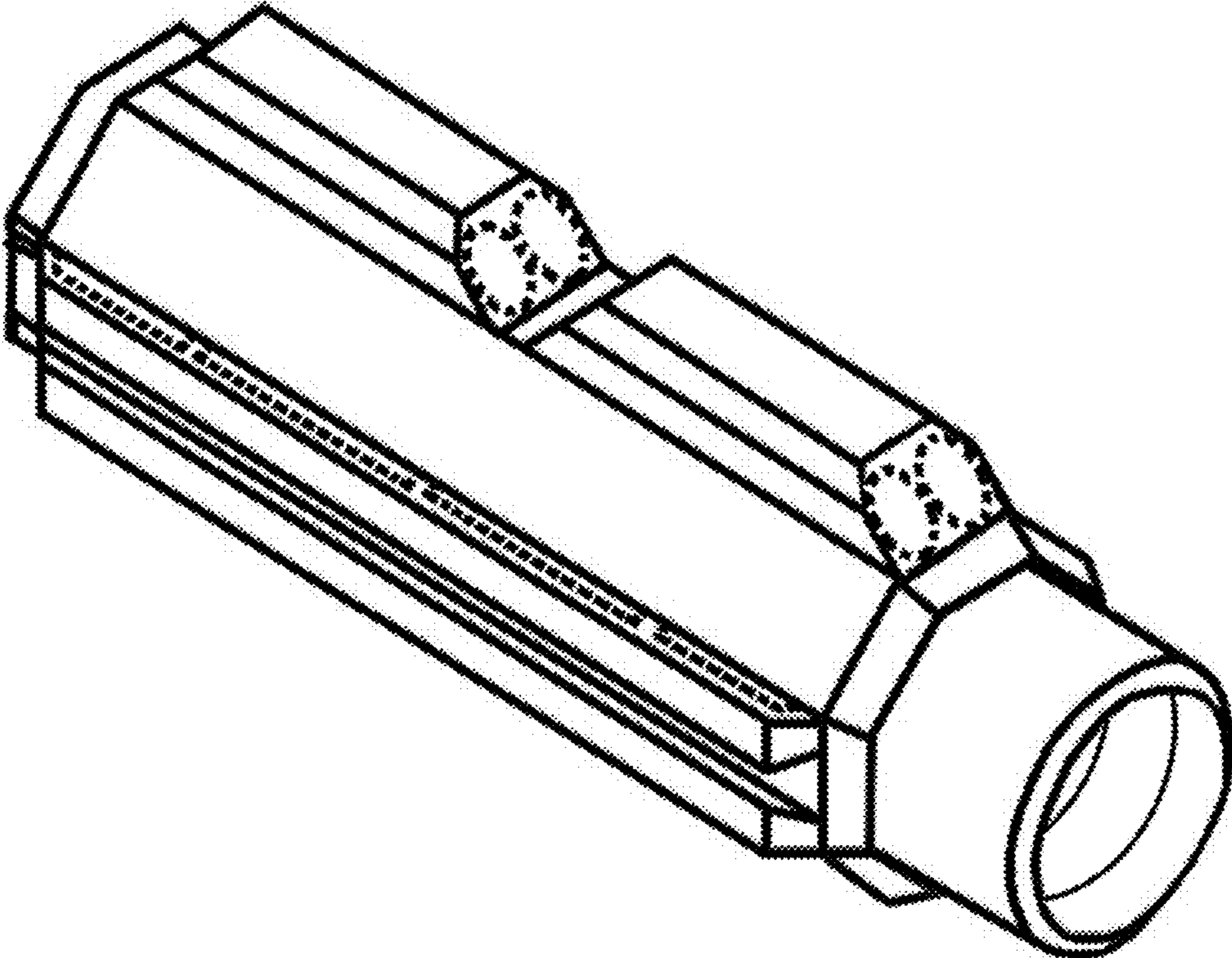


FIG. 4

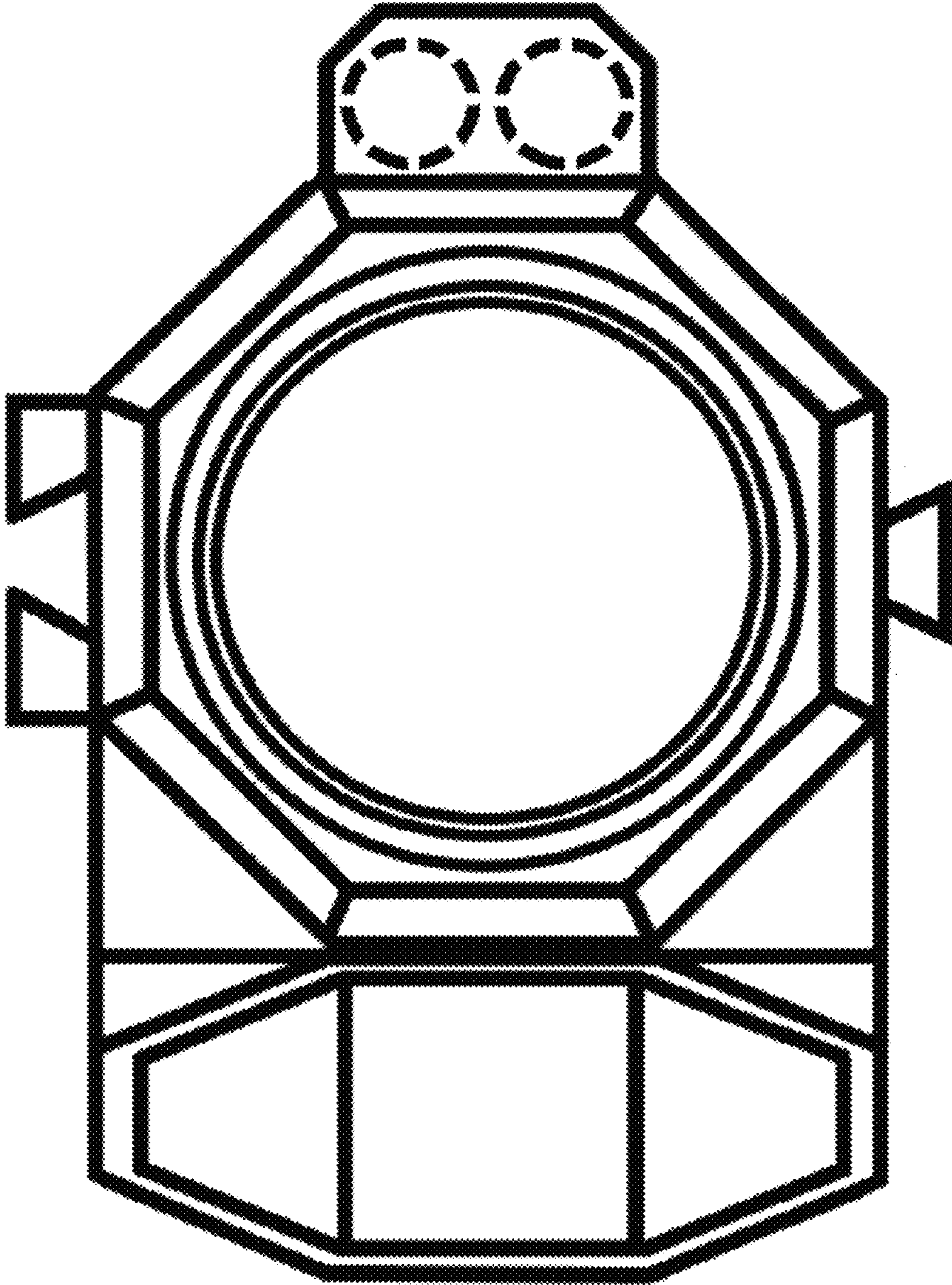


FIG. 5

