



US00D856372S

(12) **United States Design Patent** (10) **Patent No.:** **US D856,372 S**  
**Kaplan et al.** (45) **Date of Patent:** **\*\* Aug. 13, 2019**

(54) **DISPLAY SCREEN OR PORTION THEREOF WITH ICON**

(71) Applicant: **Teleport Med, LLC**, Miami, FL (US)

(72) Inventors: **Lee D. Kaplan**, Coconut Grove, FL (US); **Brent Saiontz**, Miami, FL (US); **Louis Hyman**, Pearl River, NY (US); **Eric Stepansky**, Miami, FL (US)

(73) Assignee: **TELEPORT MED, LLC**, Miami, FL (US)

(\*\*) Term: **15 Years**

(21) Appl. No.: **29/649,628**

(22) Filed: **May 31, 2018**

**Related U.S. Application Data**

(62) Division of application No. 29/567,022, filed on Jun. 3, 2016, now Pat. No. Des. 837,261.

(51) **LOC (12) Cl.** ..... **14-04**

(52) **U.S. Cl.**  
USPC ..... **D14/492**

(58) **Field of Classification Search**  
USPC ..... D14/485–495  
CPC .... G06F 3/048; G06F 3/0481; G06F 3/04812; G06F 3/04815; G06F 3/04817; G06F 3/0482; G06F 3/0483; G06F 3/0484; G06F 3/04842; G06F 3/04845; G06F 3/04847; G06F 3/0485; G06F 3/04855; G06F 3/0486; G06F 3/0487; G06F 3/0488; G06F 3/04883; G06F 3/04886

See application file for complete search history.

(56) **References Cited**

**U.S. PATENT DOCUMENTS**

D396,458 S 7/1998 Bohnert et al.  
D545,842 S 7/2007 Hong et al.

D546,836 S 7/2007 Armstrong et al.  
D554,665 S 11/2007 Pieratt et al.  
D582,940 S 12/2008 Carpenter et al.  
D593,111 S 5/2009 Danton  
D627,789 S 11/2010 Jewitt et al.  
D633,525 S 3/2011 Trabona et al.  
D646,696 S 10/2011 Loken et al.  
D667,450 S 9/2012 Eby et al.  
D668,674 S 10/2012 Suarez  
D684,180 S 6/2013 Chutani et al.  
D687,455 S 8/2013 Edwards et al.  
D691,157 S 10/2013 Ramesh et al.  
D694,262 S 11/2013 Jang et al.  
D701,519 S 3/2014 Campiranon et al.  
D703,688 S 4/2014 Choi  
D704,738 S 5/2014 Jewitt  
D712,421 S 9/2014 Inose et al.  
8,825,786 B1 9/2014 Webb et al.

(Continued)

**OTHER PUBLICATIONS**

Keath, "Siron Icon, Emergency Sign" Jan 3, 2016, <https://www.canstockphoto.com/siren-icon-emergency-sign-illustration-33102641.html>.

(Continued)

*Primary Examiner* — Melanie H Tung  
*Assistant Examiner* — Bao-Yen T Nguyen  
(74) *Attorney, Agent, or Firm* — Foley & Lardner LLP

(57) **CLAIM**

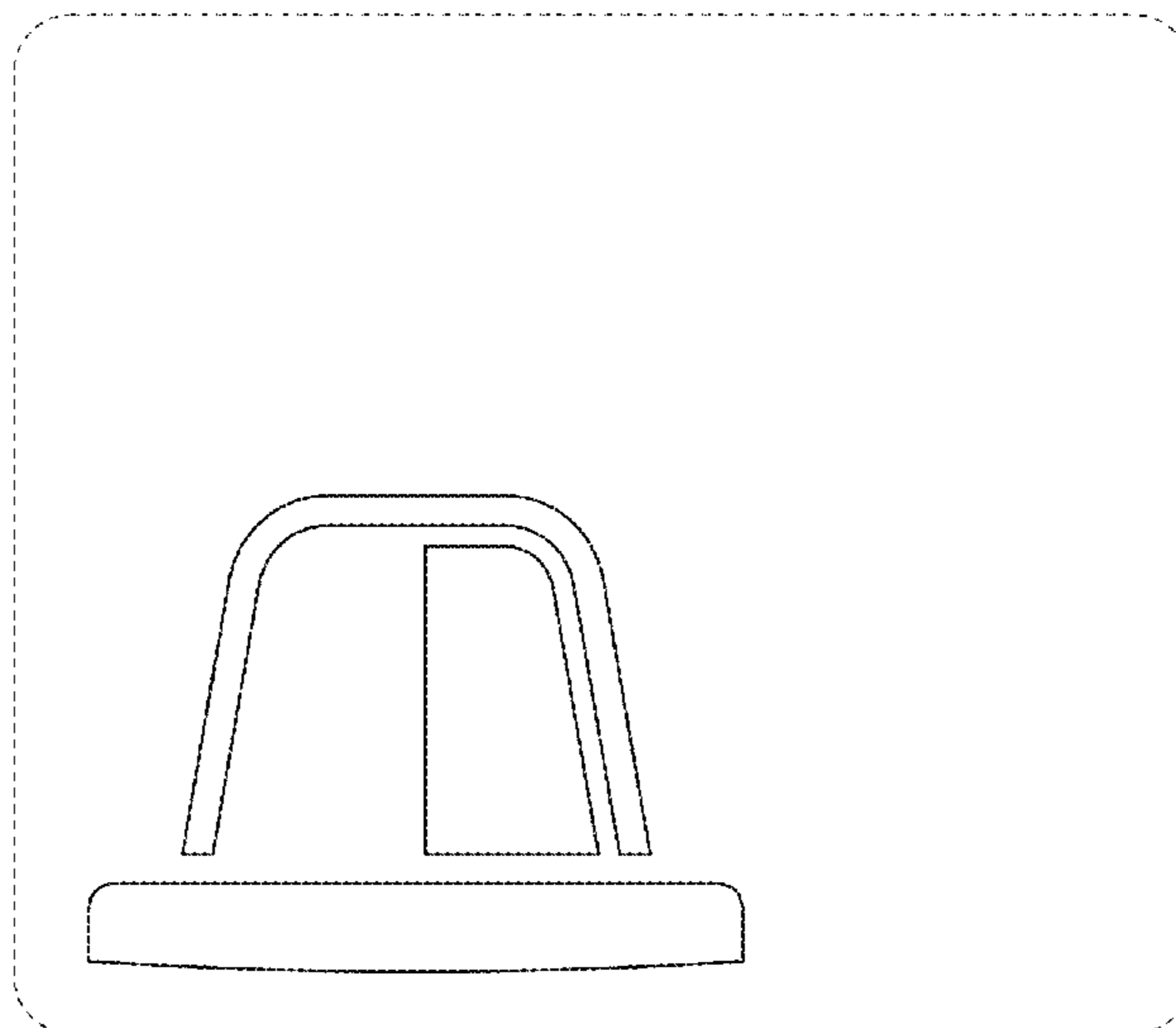
We claim the ornamental design for a display screen or portion thereof with icon, as shown and described.

**DESCRIPTION**

The FIGURE is a front view of a display screen or portion thereof with icon.

The broken lines in the drawing illustrate the display screen or portion thereof and form no part of the claimed design.

**1 Claim, 1 Drawing Sheet**



(56)

References Cited

U.S. PATENT DOCUMENTS

D715,322 S 10/2014 Sakata  
 D717,339 S 11/2014 Wen et al.  
 D725,677 S 3/2015 Park et al.  
 D737,849 S 9/2015 Tursi et al.  
 D743,994 S 11/2015 Park et al.  
 D746,320 S 12/2015 Shardlow et al.  
 D752,607 S 3/2016 Zhang et al.  
 D753,670 S 4/2016 Tian et al.  
 D754,736 S \* 4/2016 Moon ..... D14/492  
 D755,241 S 5/2016 Kim  
 D757,047 S 5/2016 Cornwell et al.  
 D760,272 S 6/2016 Li et al.  
 D761,869 S 7/2016 Tursi et al.  
 D765,684 S 9/2016 Zheng et al.  
 D766,935 S 9/2016 Pham et al.  
 D768,685 S 10/2016 Lee et al.  
 D769,884 S 10/2016 Zhu  
 D770,488 S 11/2016 Li et al.  
 D771,061 S 11/2016 Zhu  
 D774,069 S 12/2016 Gardner et al.  
 D774,518 S 12/2016 Lv et al.  
 D775,143 S 12/2016 Vazquez et al.  
 D777,195 S 1/2017 Dain et al.  
 D779,526 S 2/2017 Volovik  
 D780,769 S 3/2017 Mensinger et al.  
 D786,930 S 5/2017 Okumura et al.  
 D842,897 S \* 3/2019 Kumar ..... D14/489  
 2007/0022157 A1 1/2007 Daniels et al.

2008/0307360 A1 12/2008 Chaudhri et al.  
 2009/0265657 A1 10/2009 Bamford et al.  
 2010/0058244 A1 3/2010 Wang  
 2010/0091615 A1\* 4/2010 Scott ..... G04G 9/0076  
 368/21  
 2010/0332518 A1 12/2010 Song et al.  
 2011/0320221 A1 12/2011 Duffey-Rosenstein et al.  
 2012/0170721 A1 7/2012 Yoakum  
 2012/0179988 A1 7/2012 Suh et al.  
 2013/0187780 A1 7/2013 Angelides  
 2013/0267793 A1 10/2013 Meador et al.  
 2013/0325990 A1 12/2013 Tysowski et al.  
 2015/0046861 A1 2/2015 Kirkpatrick et al.  
 2015/0046877 A1 2/2015 Cuppari et al.  
 2015/0067585 A1 3/2015 Won et al.  
 2015/0113473 A1 4/2015 Otsuka et al.  
 2016/0048319 A1 2/2016 Micheva et al.  
 2016/0092064 A1 3/2016 Wu

OTHER PUBLICATIONS

Notice of Allowance in U.S. Appl. No. 29/567,022, dated Aug. 15, 2018.  
 Sumkinn, "Icon of police, fire ambulance siren" Nov. 9, 2015, <https://www.istockphoto.com/vector/icon-of-police-fire-ambulance-siren-gm496238148-78426471>.  
 Restriction Requirement in U.S. Appl. No. 29/567,022, dated Feb. 16, 2018 (8 pages).

\* cited by examiner

