



US00D856366S

(12) **United States Design Patent**
Richardson

(10) **Patent No.:** **US D856,366 S**

(45) **Date of Patent:** **** Aug. 13, 2019**

(54) **DISPLAY SCREEN OR PORTION THEREOF WITH ANIMATED GRAPHICAL USER INTERFACE**

(71) Applicant: **Helixaeon Inc**, Boulder, CO (US)

(72) Inventor: **Daniel Patrick Richardson**, Boulder, CO (US)

(73) Assignee: **Helixaeon Inc.**, Boulder, CO (US)

(**) Term: **15 Years**

(21) Appl. No.: **29/624,381**

(22) Filed: **Oct. 31, 2017**

(51) **LOC (12) Cl.** **14-04**

(52) **U.S. Cl.**
USPC **D14/488**

(58) **Field of Classification Search**
USPC D14/485, 486, 487, 488
CPC G06F 3/048; G06F 3/0481; G06F 3/04812;
G06F 3/04817; G06F 3/0482; G06F
3/0484; G06F 3/0485; G06F 3/0487;
G06F 3/0488; G06F 3/04883; G06F
3/04886; G06F 3/0489
See application file for complete search history.

(56) **References Cited**

U.S. PATENT DOCUMENTS

D627,360 S *	11/2010	Aarseth	D14/485
D759,077 S *	6/2016	Bergmann	D14/486
D761,812 S *	7/2016	Motamedi	D14/485
D762,230 S *	7/2016	Kaplan	D14/486
D762,660 S *	8/2016	Butcher	D14/485
D763,871 S *	8/2016	Yang	D14/485
D763,877 S *	8/2016	Yu	G06F 3/04817 D14/485
D763,910 S *	8/2016	Drozd	D14/485
D764,493 S *	8/2016	Sanderson	D14/485
D765,091 S *	8/2016	Del Lima	D14/485

D765,674 S *	9/2016	Kim	D14/485
D771,064 S *	11/2016	Nuovo	D14/485
D771,076 S *	11/2016	Butcher	D14/485
D776,680 S *	1/2017	Bae	D14/485
D777,735 S *	1/2017	Kim	D14/485
D781,299 S *	3/2017	Yun	D14/485
D781,878 S *	3/2017	Butcher	D14/485
D781,879 S *	3/2017	Butcher	D14/485
D784,363 S *	4/2017	Fleming	D14/485
D785,658 S *	5/2017	Moroney	D14/486
D786,278 S *	5/2017	Motamedi	D14/485
D804,494 S *	12/2017	Bombolowsky	D14/485
D821,410 S *	6/2018	Vinna	D14/485
D835,665 S *	12/2018	Kimura	D14/488

* cited by examiner

Primary Examiner — Melanie H Tung

(74) *Attorney, Agent, or Firm* — Duft & Bornsen, PC

(57) **CLAIM**

The ornamental design for a display screen or portion thereof with an animated graphical user interface, as shown and described.

DESCRIPTION

FIG. 1 is a front view of a display screen or portion thereof with an animated graphical user interface showing a first image in the sequence showing the new design;

FIG. 2 is a second image thereof.

FIG. 3 is a third image thereof.

FIG. 4 is a fourth image thereof; and,

FIG. 5 is a fifth image thereof.

The broken lines in the FIGS. showing display screens, portions of display screens, text, and graphical elements form no part of the claimed design.

The appearance of the animated images sequentially transitions between the images shown in FIGS. 1-5. The process or period in which one image transitions to another image forms no part of the claimed design.

1 Claim, 5 Drawing Sheets

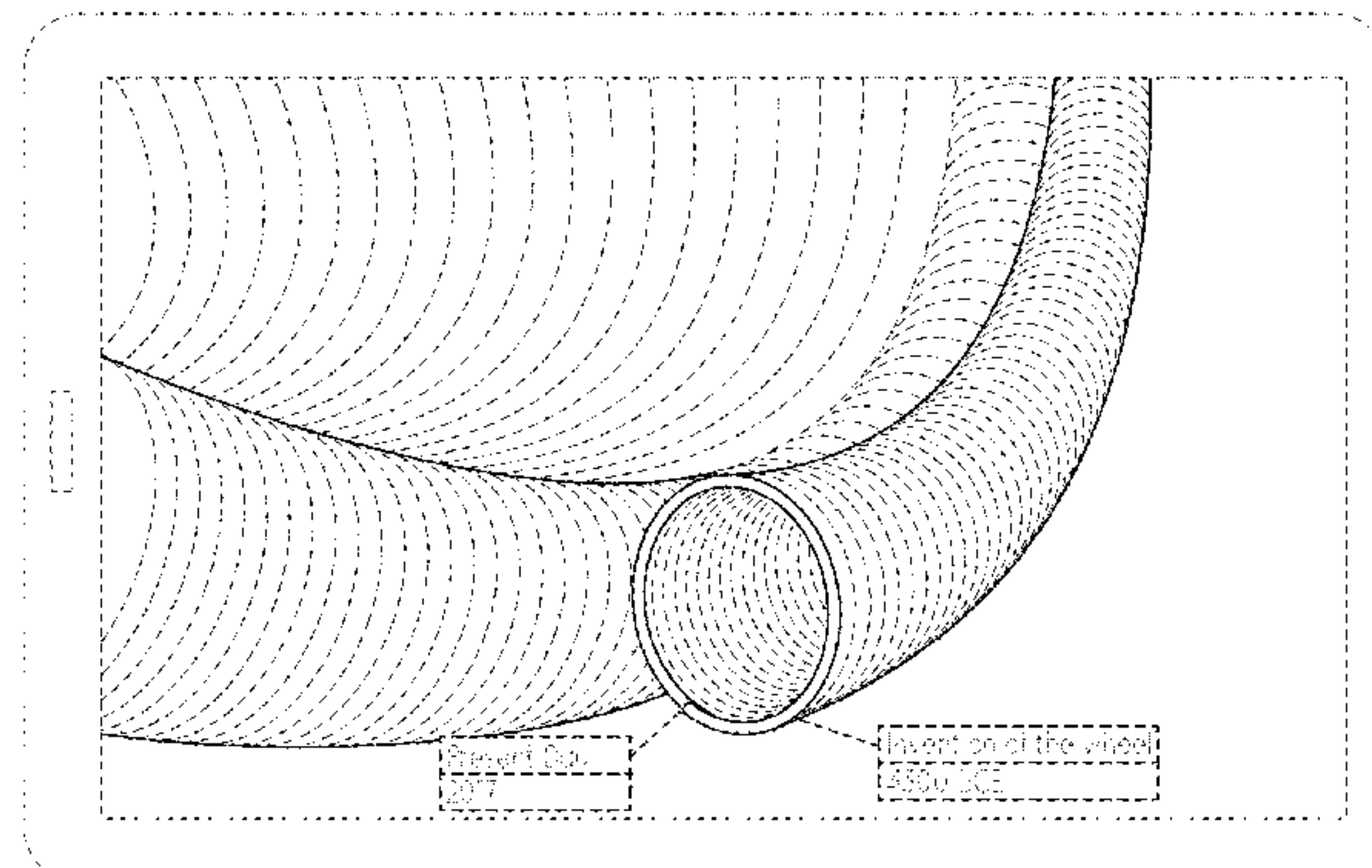
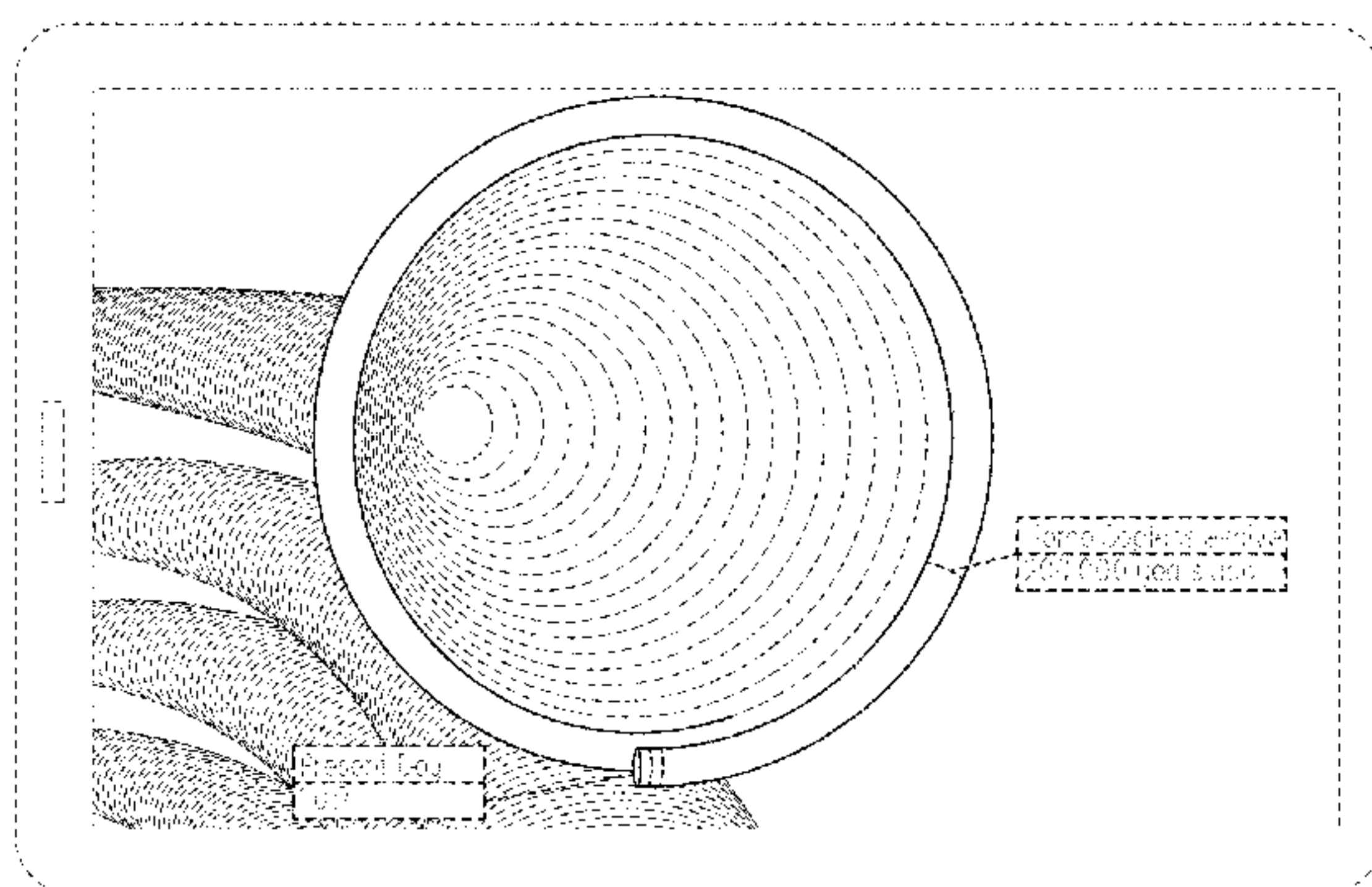


FIG. 1

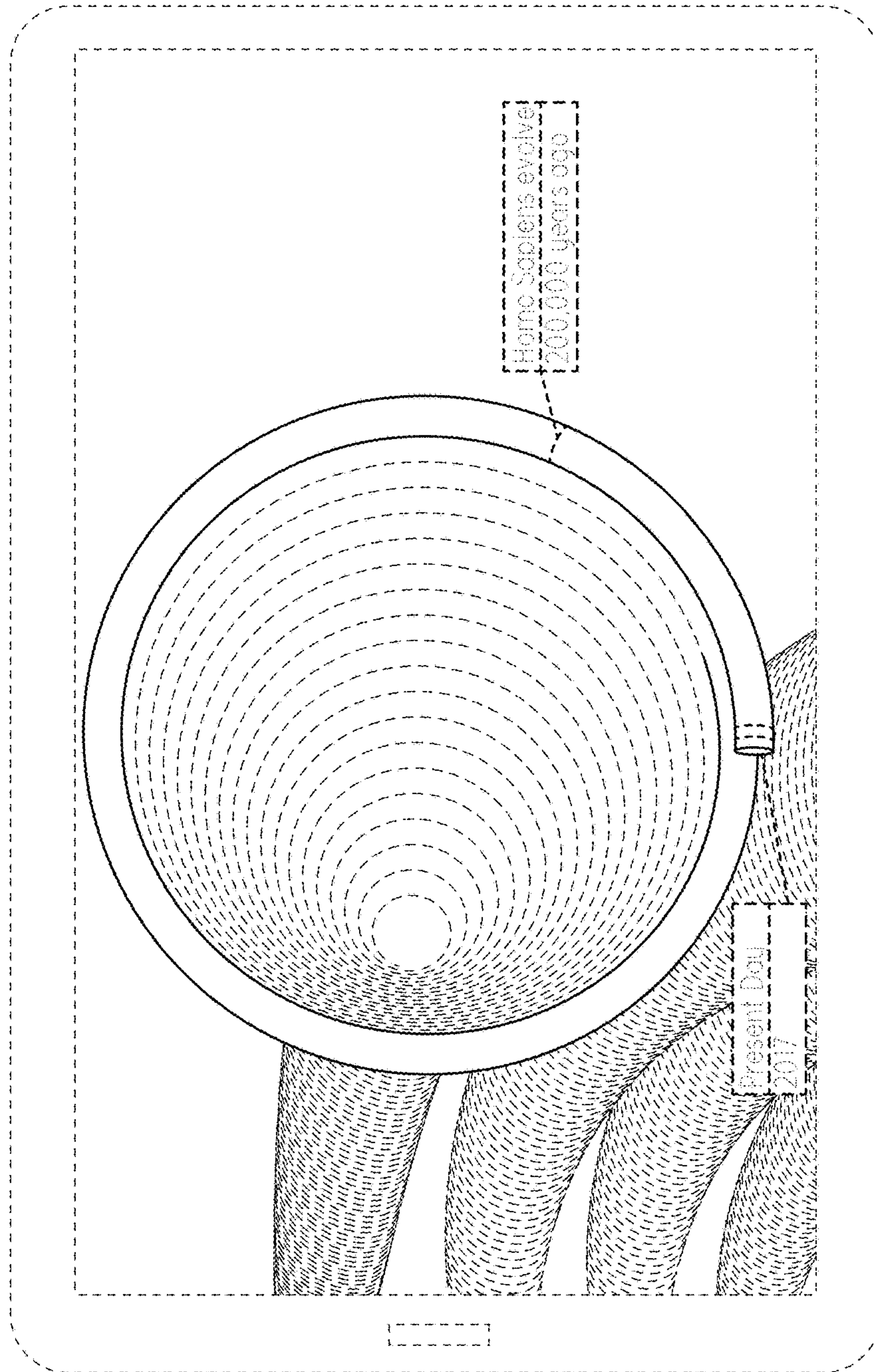


FIG. 2

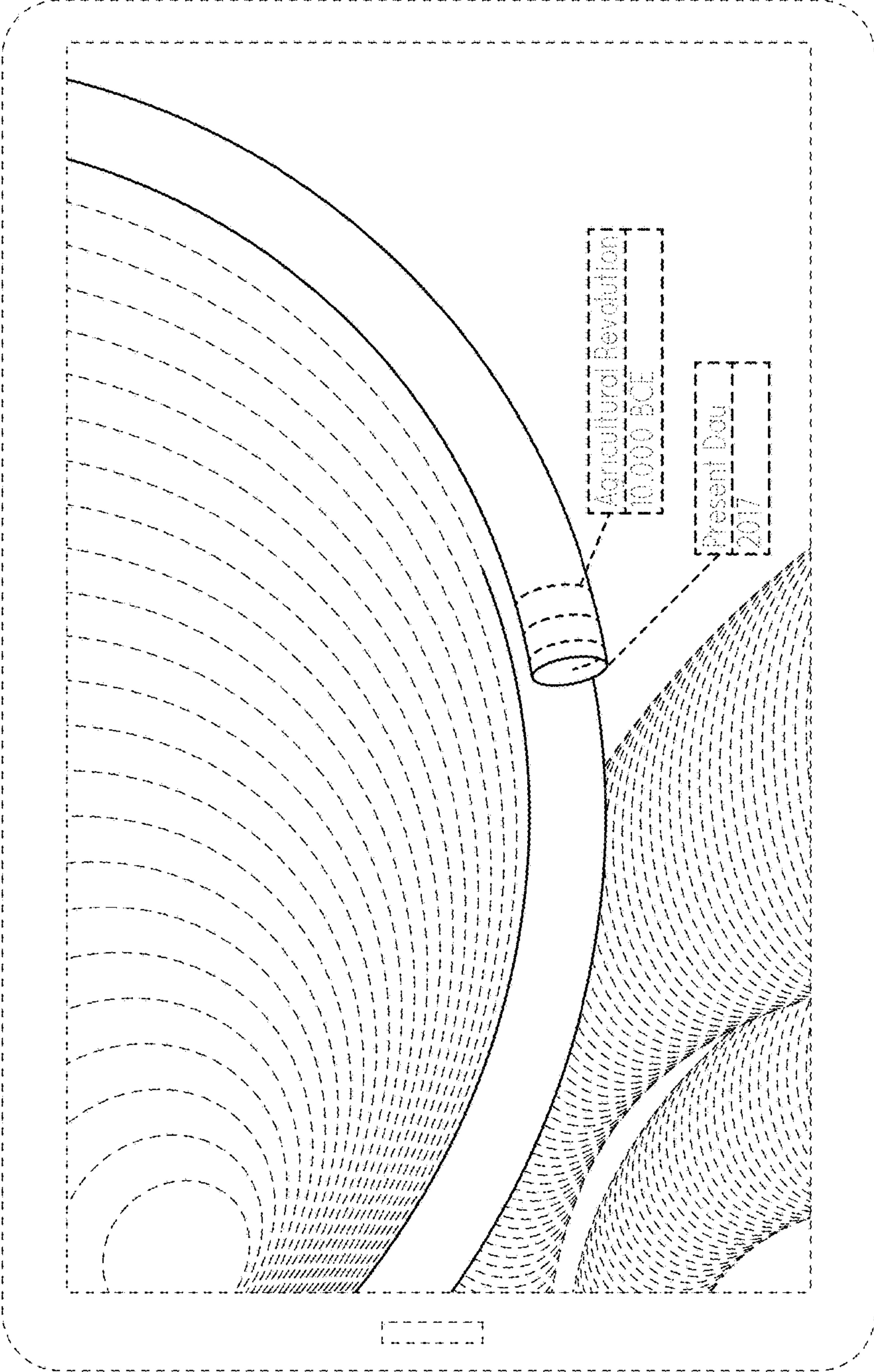


FIG. 3

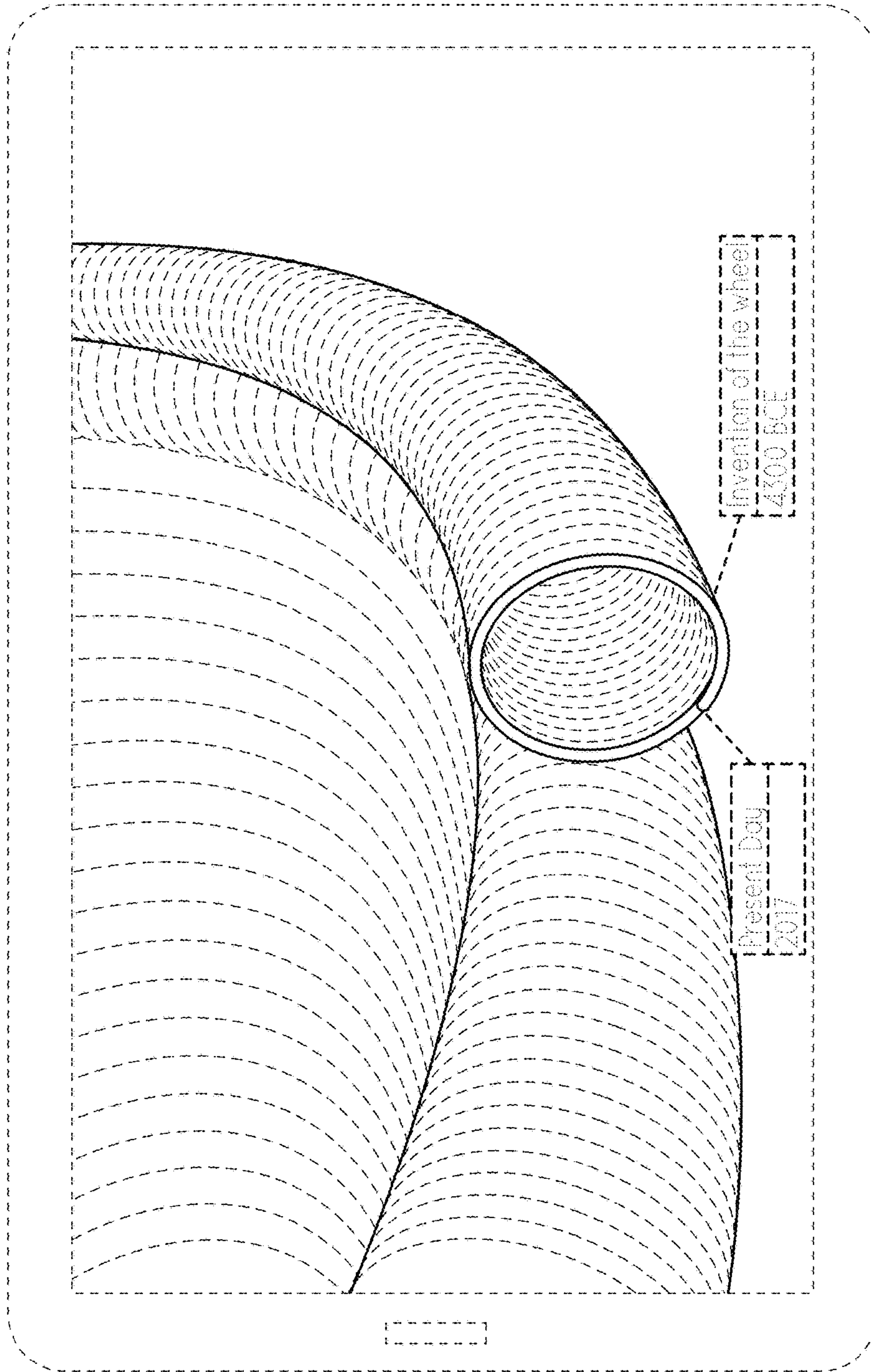


FIG. 4

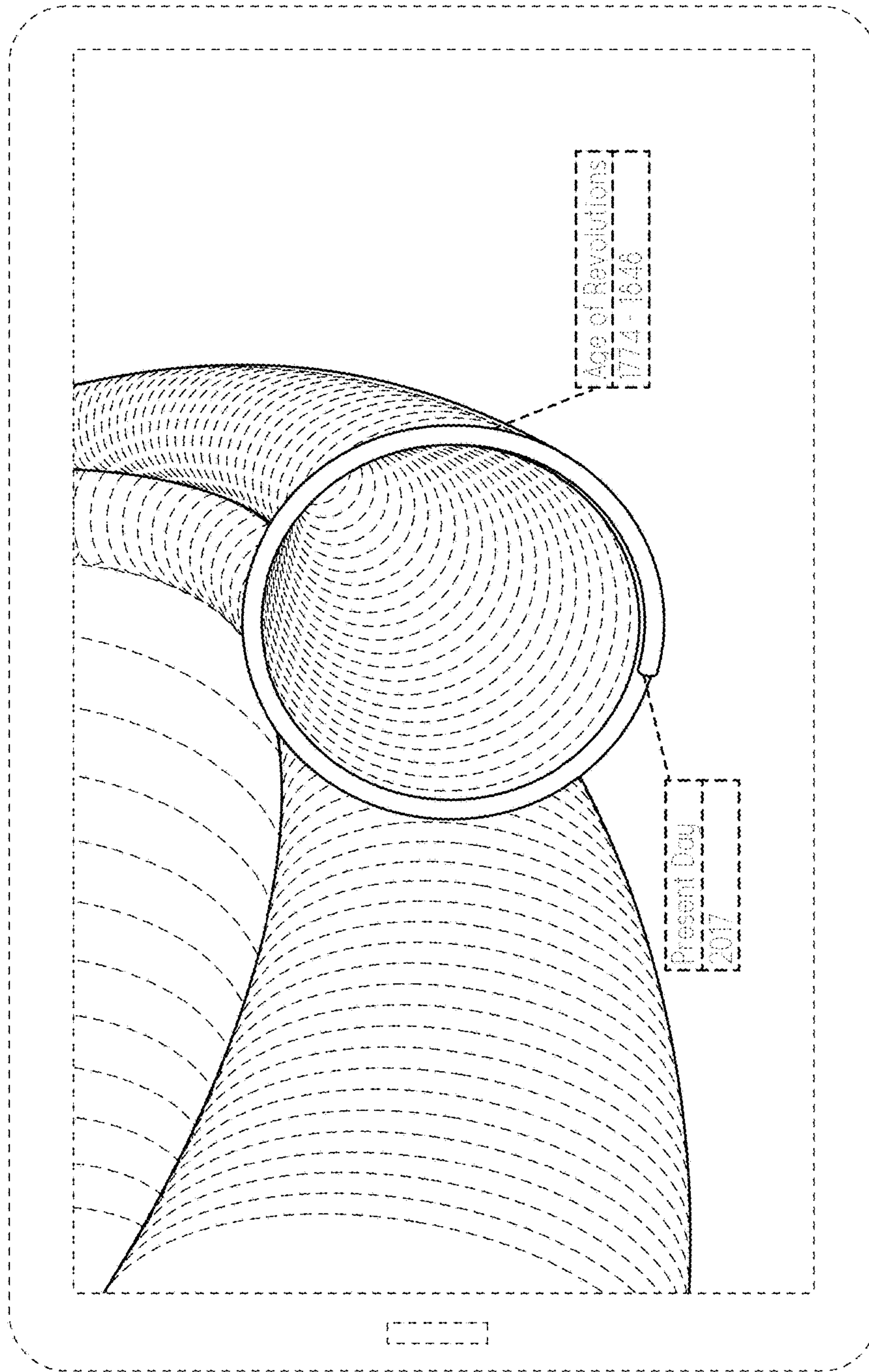


FIG. 5

