

US00D856360S

(12) **United States Design Patent** (10) **Patent No.:** **US D856,360 S**  
**Huang et al.** (45) **Date of Patent:** **\*\* Aug. 13, 2019**

(54) **VEHICLE DISPLAY SCREEN OR PORTION THEREOF WITH AN ANIMATED GRAPHICAL USER INTERFACE**

D738,913 S \* 9/2015 Cabrera-Cordon ..... D14/491  
D771,652 S \* 11/2016 Kim ..... D14/485  
D773,480 S \* 12/2016 Zhou ..... D14/485  
D791,786 S \* 7/2017 Chaudhri ..... D14/485  
D797,798 S \* 9/2017 Sato ..... D14/491  
D801,996 S \* 11/2017 Yang ..... D14/486  
D825,608 S \* 8/2018 Andrizzi ..... D14/487  
D825,609 S \* 8/2018 Andrizzi ..... D14/487

(71) Applicants: **Mindtronic AI Co., Ltd.**, Grand Cayman (KY); **Shanghai XPT Technology Limited**, Shanghai (CN)

(Continued)

(72) Inventors: **Mu-Jen Huang**, Taipei (TW); **Ya-Li Tai**, Taoyuan (TW); **Yu-Sian Jiang**, Kaohsiung (TW); **Li-Chieh Kuo**, Taipei (TW)

FOREIGN PATENT DOCUMENTS

JP D1517482 2/2015

*Primary Examiner* — Cathron C Brooks

*Assistant Examiner* — Andrew T Nemeth

(73) Assignees: **Mindtronic AI Co., Ltd.**, Grand Cayman (KY); **Shanghai XPT Technology Limited**, Shanghai (CN)

(74) *Attorney, Agent, or Firm* — Winston Hsu

(\*\*) Term: **15 Years**

(57) **CLAIM**

(21) Appl. No.: **29/649,405**

The ornamental design for a vehicle display screen or portion thereof with an animated graphical user interface, as shown and described.

(22) Filed: **May 30, 2018**

(51) **LOC (12) Cl.** ..... **14-04**

(52) **U.S. Cl.**  
USPC ..... **D14/486**

**DESCRIPTION**

(58) **Field of Classification Search**  
USPC ..... D14/485–495  
CPC .. G06F 3/0482; G06F 3/04883; G06F 3/0481; G06F 3/04842; G06F 3/0488; G06F 3/04817; G06F 3/04847; G06F 3/0485; G06F 3/04886; G06F 3/0484; G06F 9/451; G06F 3/04845; G06F 3/0486; G07F 17/32; G07F 17/3244

FIG. 1 is a front view of a first image in a sequence for a first embodiment of a vehicle display screen or portion thereof with an animated graphical user interface;  
FIG. 2 is a front view of a second image thereof;  
FIG. 3 is a front view of a third image thereof;  
FIG. 4 is a front view of a first image in a sequence for a second embodiment of a vehicle display screen or portion thereof with an animated graphical user interface;  
FIG. 5 is a front view of a second image thereof; and,  
FIG. 6 is a front view of a third image thereof.  
The appearance of the animated graphical user interface sequentially transitions between the images shown in FIGS. 1-3, and in FIGS. 4-6.

See application file for complete search history.

The process or period in which an image transitions to another forms no part of the claimed design.

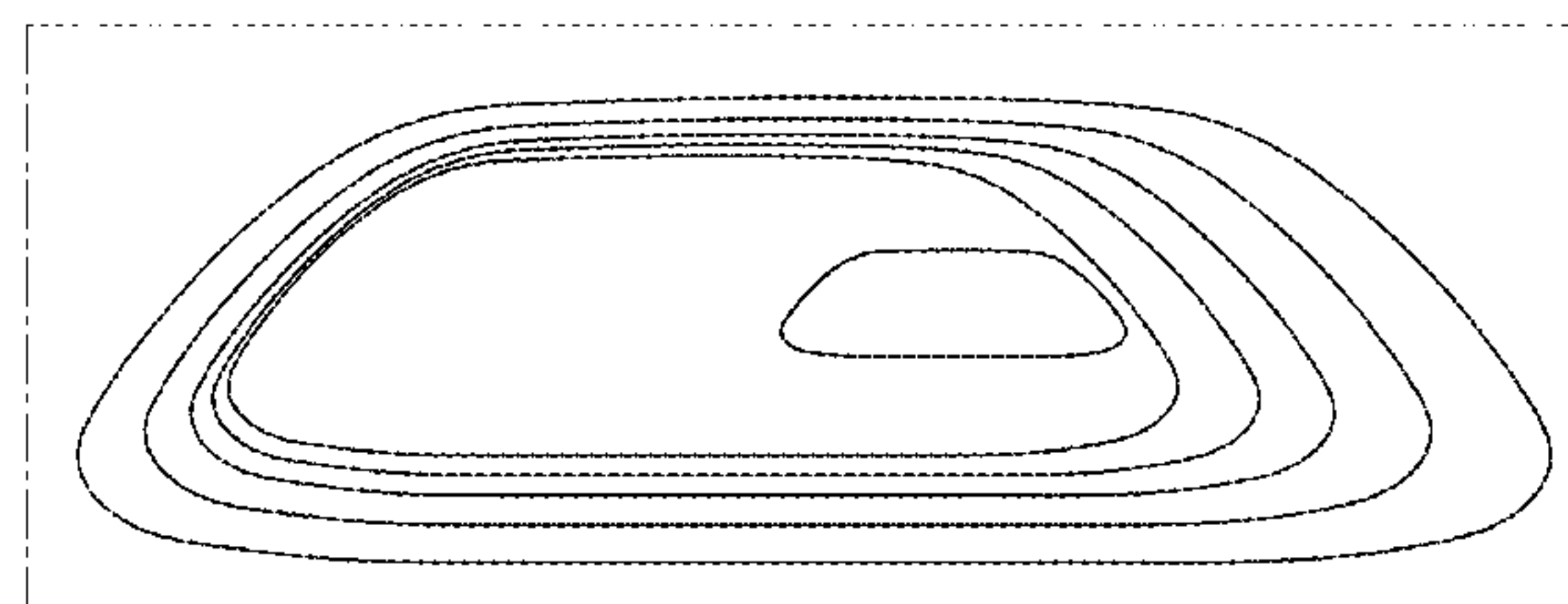
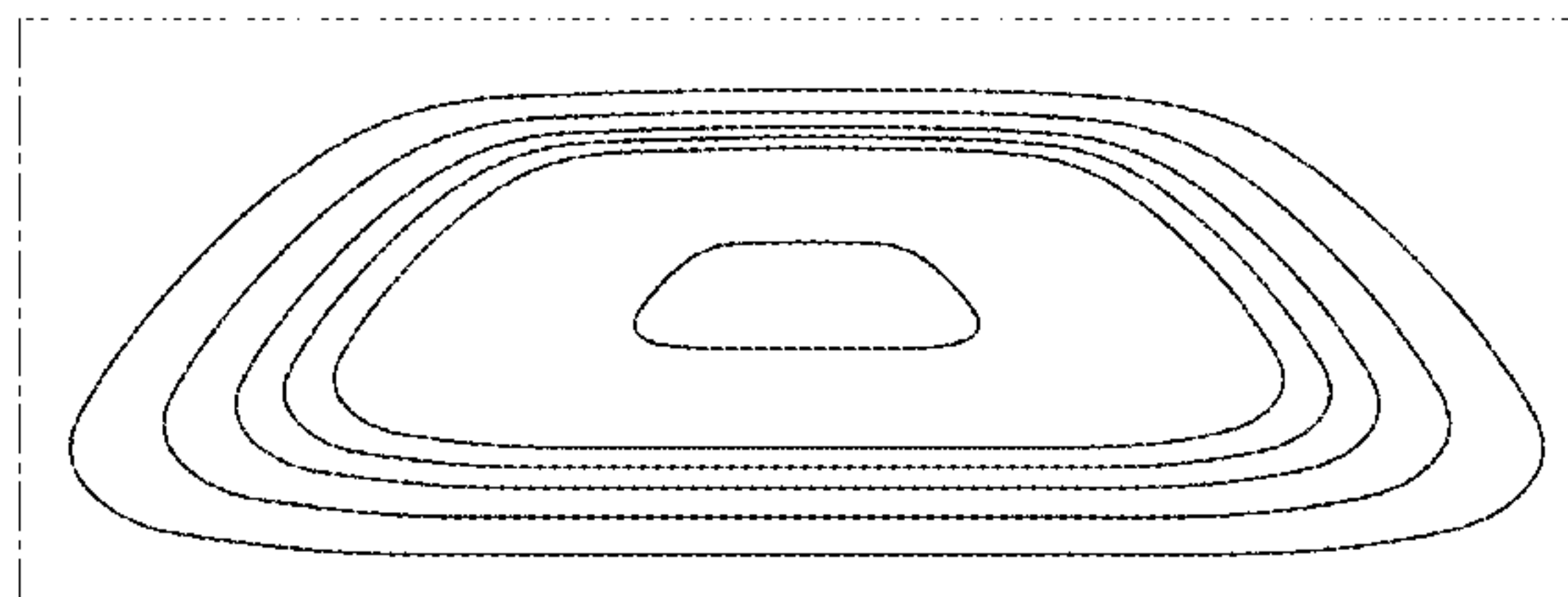
The broken lines showing a display screen or portion thereof forms no part of the claimed design.

(56) **References Cited**

U.S. PATENT DOCUMENTS

D523,871 S \* 6/2006 Hally ..... D14/487  
D643,438 S \* 8/2011 Gardner ..... D14/486  
D660,313 S \* 5/2012 Williams ..... D14/487  
D696,263 S \* 12/2013 Ray ..... D14/485  
D711,895 S \* 8/2014 Inose ..... D14/485

**1 Claim, 6 Drawing Sheets**



(56)

**References Cited**

U.S. PATENT DOCUMENTS

D829,764 S *	10/2018	Clapper	.....	D14/489
D839,878 S *	2/2019	Ishii	.....	D14/485
D842,896 S *	3/2019	Williams	.....	D14/489
2010/0087230 A1 *	4/2010	Peh	.....	G06F 3/04817 455/566

\* cited by examiner

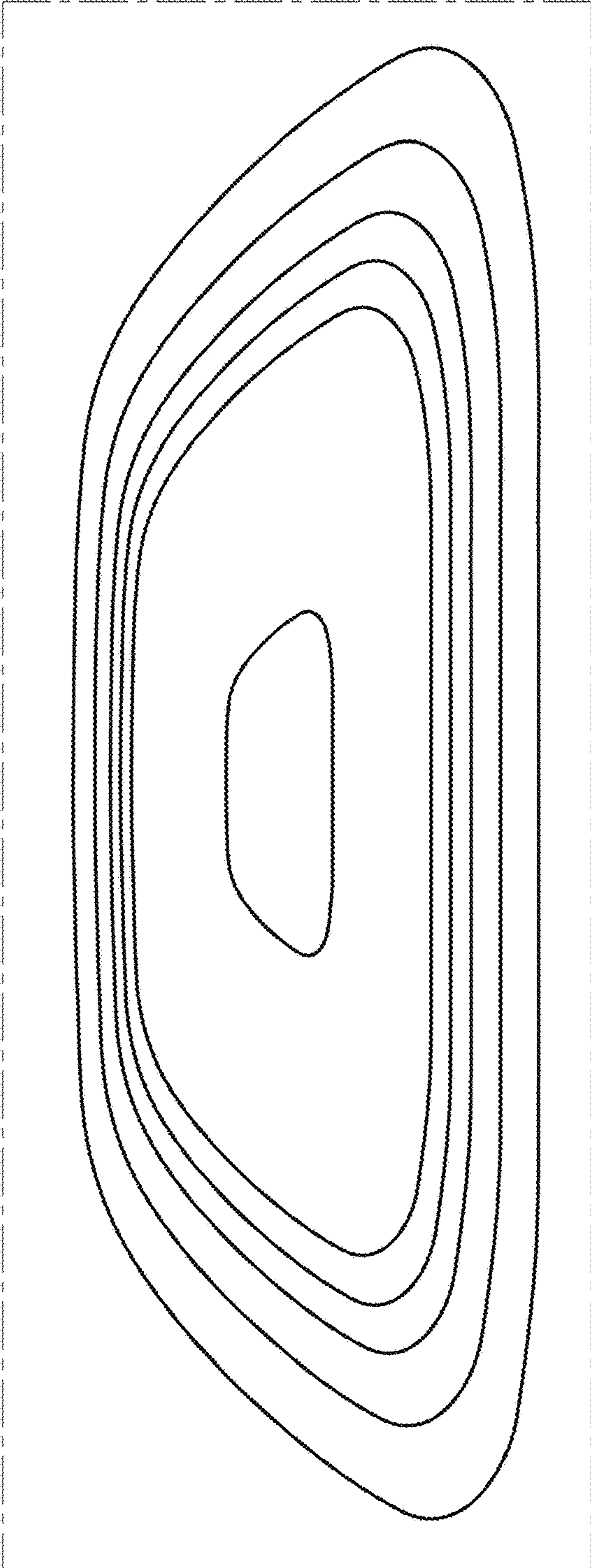


FIG. 1

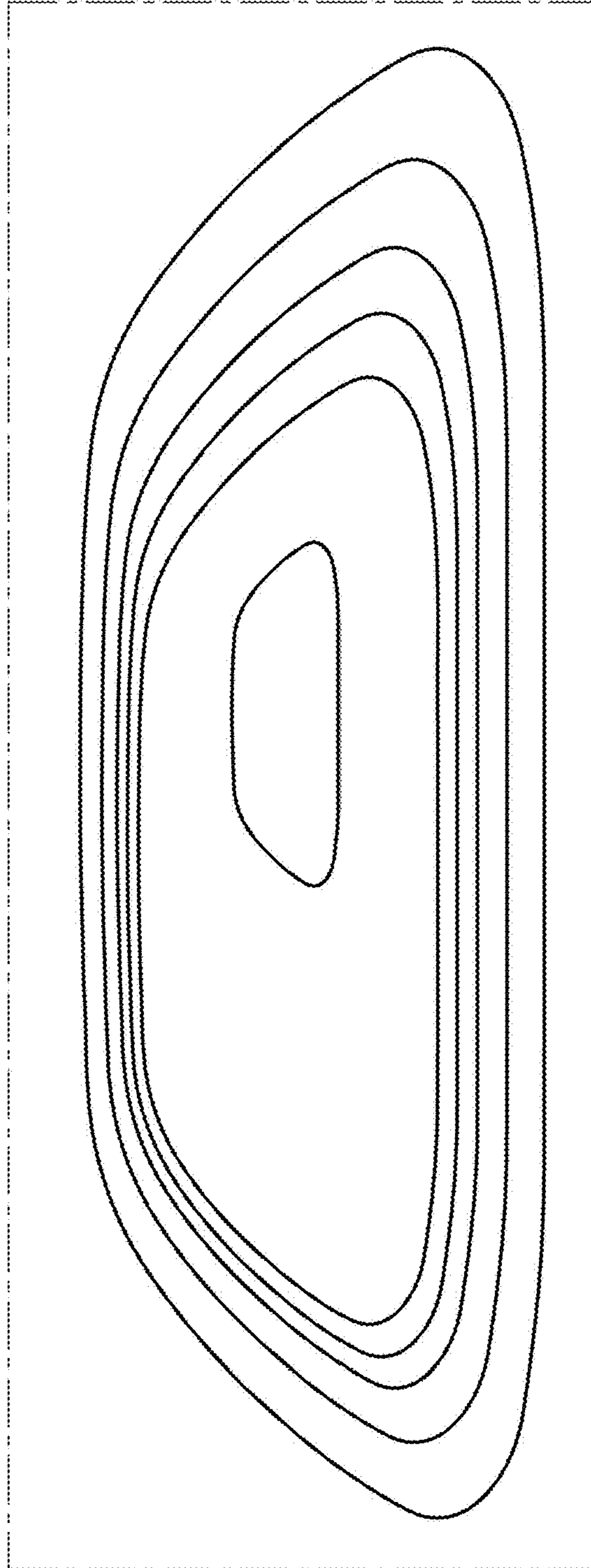


FIG. 2



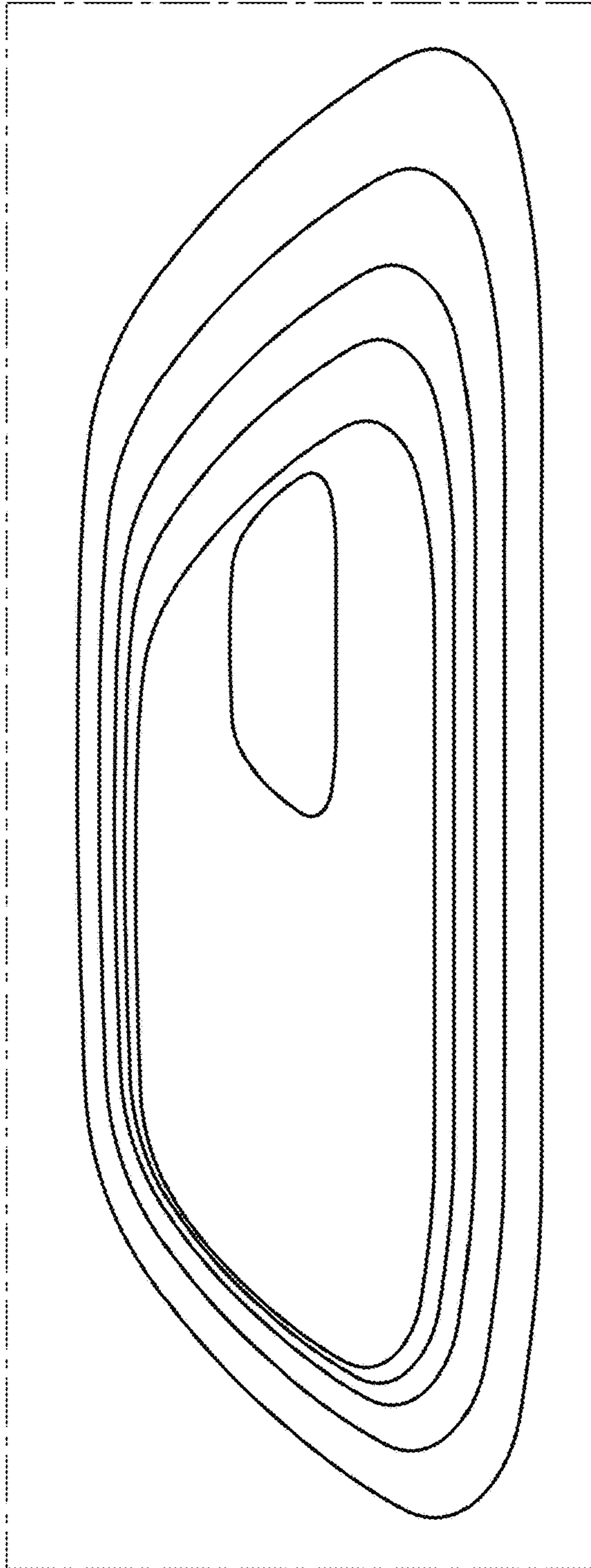


FIG. 3

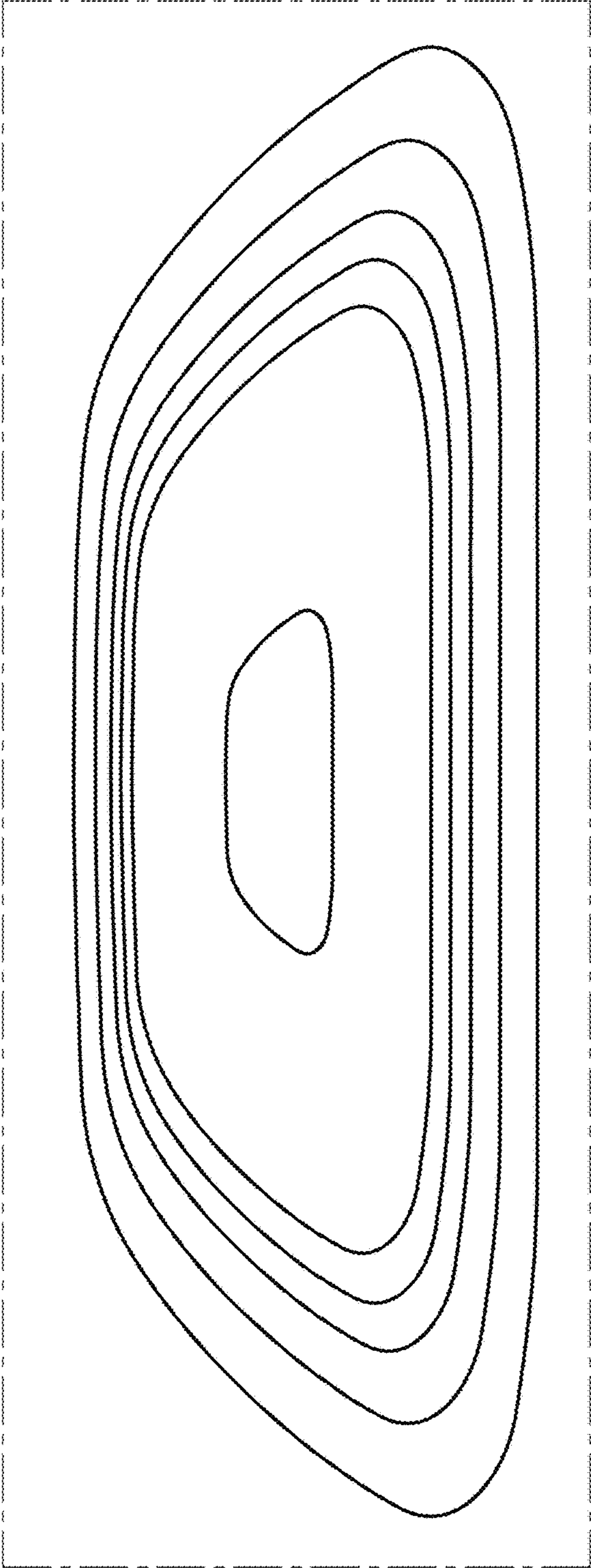


FIG. 4

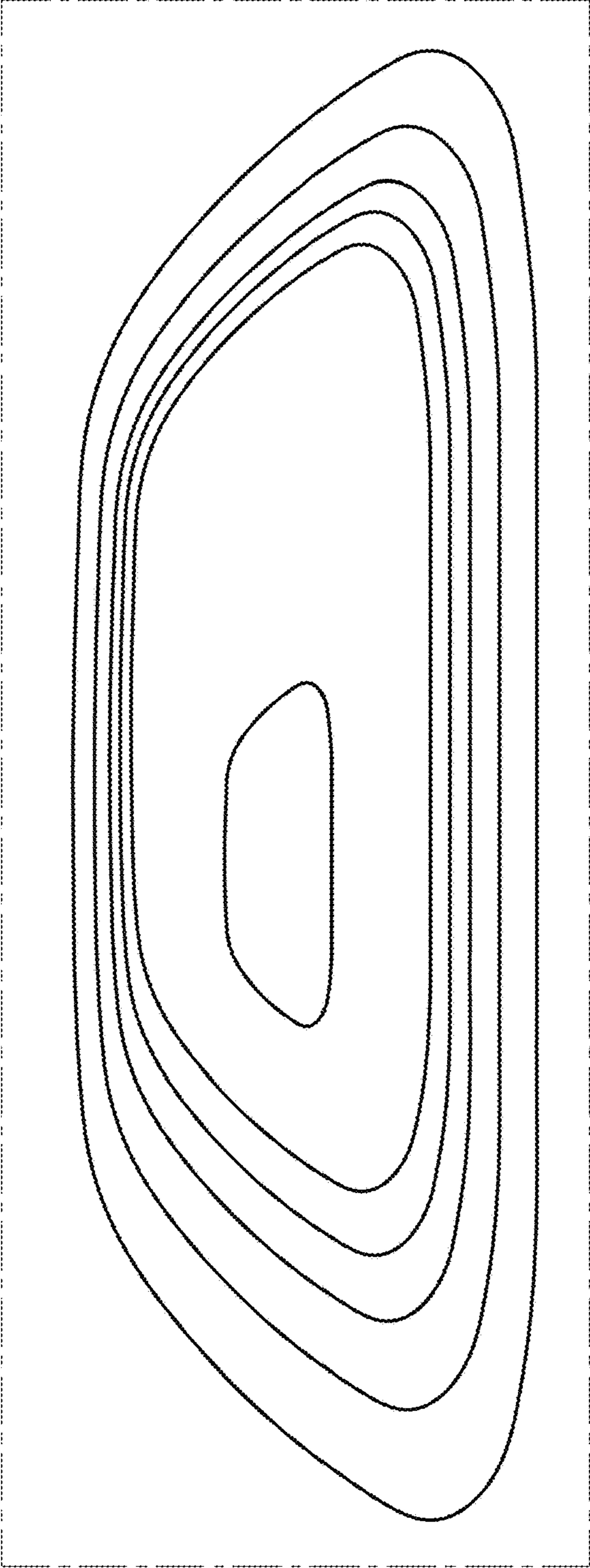


FIG. 5

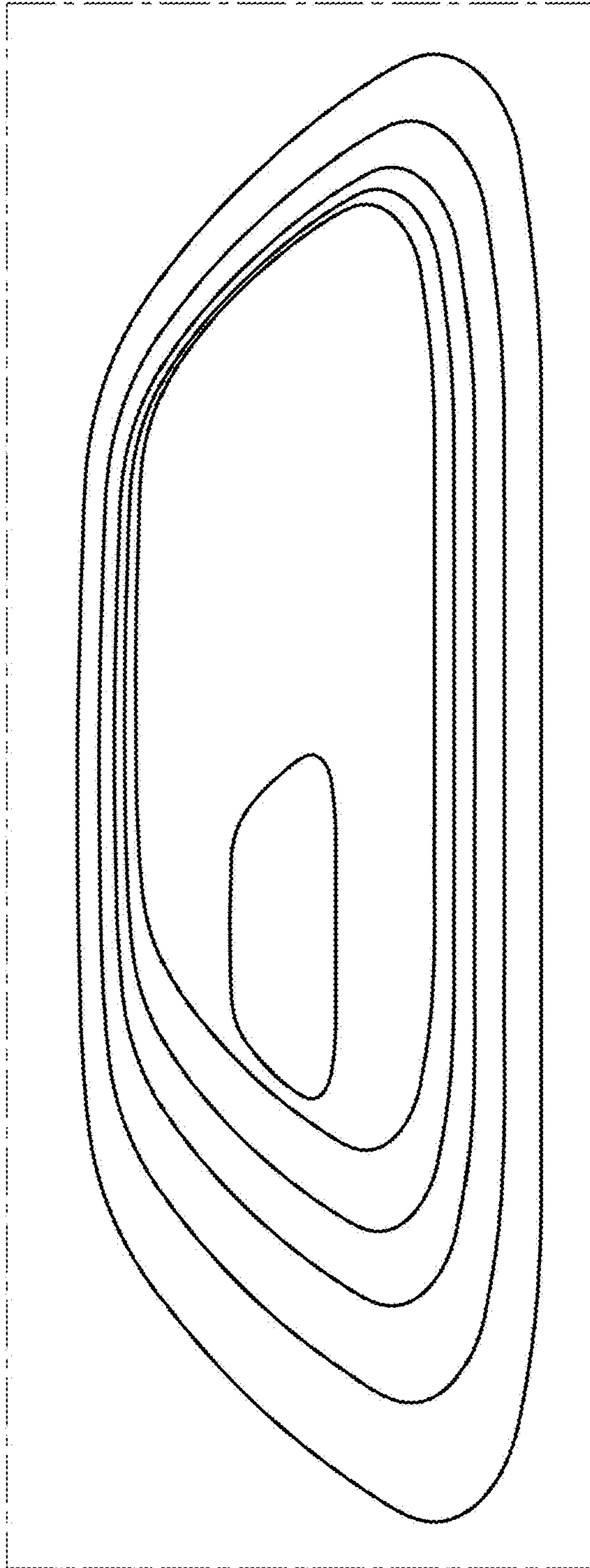


FIG. 6