



US00D856343S

(12) **United States Design Patent**  
**Kijiya et al.**

(10) **Patent No.:** **US D856,343 S**

(45) **Date of Patent:** **\*\* Aug. 13, 2019**

(54) **LAPTOP STAND**

(71) Applicant: **KING JIM CO., LTD.**, Tokyo (JP)

(72) Inventors: **Ken Kijiya**, Tokyo (JP); **Kazuki Akagawa**, Tokyo (JP); **Ryo Yamane**, Tokyo (JP)

(73) Assignee: **KING JIM CO., LTD.**, Tokyo (JP)

(\*\*) Term: **15 Years**

(21) Appl. No.: **29/649,453**

(22) Filed: **May 30, 2018**

(30) **Foreign Application Priority Data**

Dec. 1, 2017 (JP) ..... 2017-026894

(51) **LOC (12) Cl.** ..... **08-07**

(52) **U.S. Cl.**  
USPC ..... **D14/447**

(58) **Field of Classification Search**

USPC ..... D14/447, 432, 434, 439, 440, 451, 452,  
D14/457, 239; D8/363, 373, 380;  
D6/406.3, 406.4, 406.5, 406.6; D12/415;  
D21/330, 331

CPC ..... A47B 21/04; A47B 2097/006; A47B  
2097/005; A47B 2023/049; A45C  
2011/002; A45C 2011/003; F16M  
2200/00; F16M 13/00

See application file for complete search history.

(56) **References Cited**

**U.S. PATENT DOCUMENTS**

D677,260 S \* 3/2013 Hong ..... D14/447

D688,670 S \* 8/2013 Huang ..... D14/447

|              |         |          |       |         |
|--------------|---------|----------|-------|---------|
| D720,343 S * | 12/2014 | Nichols  | ..... | D14/253 |
| D722,063 S * | 2/2015  | Zwerner  | ..... | D14/447 |
| D752,595 S * | 3/2016  | Heckler  | ..... | D14/447 |
| D754,668 S * | 4/2016  | Manabe   | ..... | D14/447 |
| D756,367 S * | 5/2016  | Kim      | ..... | D14/447 |
| D760,724 S * | 7/2016  | Kang     | ..... | D14/447 |
| D778,283 S * | 2/2017  | Tsai     | ..... | D14/447 |
| D786,883 S * | 5/2017  | Chen     | ..... | D14/447 |
| D787,521 S * | 5/2017  | Chen     | ..... | D14/447 |
| D800,734 S * | 10/2017 | Lewis    | ..... | D14/447 |
| D828,843 S * | 9/2018  | Foldvary | ..... | D14/447 |

\* cited by examiner

*Primary Examiner* — Angela J Lee

(74) *Attorney, Agent, or Firm* — Manabu Kanesaka

(57) **CLAIM**

The ornamental design for a laptop stand, as shown and described.

**DESCRIPTION**

FIG. 1 is a first perspective view of a laptop stand showing our new design;  
FIG. 2 is a second perspective view thereof;  
FIG. 3 is a front elevational view thereof;  
FIG. 4 is a rear elevational view thereof;  
FIG. 5 is a top plan view thereof;  
FIG. 6 is a bottom plan view thereof; and,  
FIG. 7 is a right side elevational view thereof, a left side elevational view being a mirror image of the right side elevational view thereof.

**1 Claim, 7 Drawing Sheets**

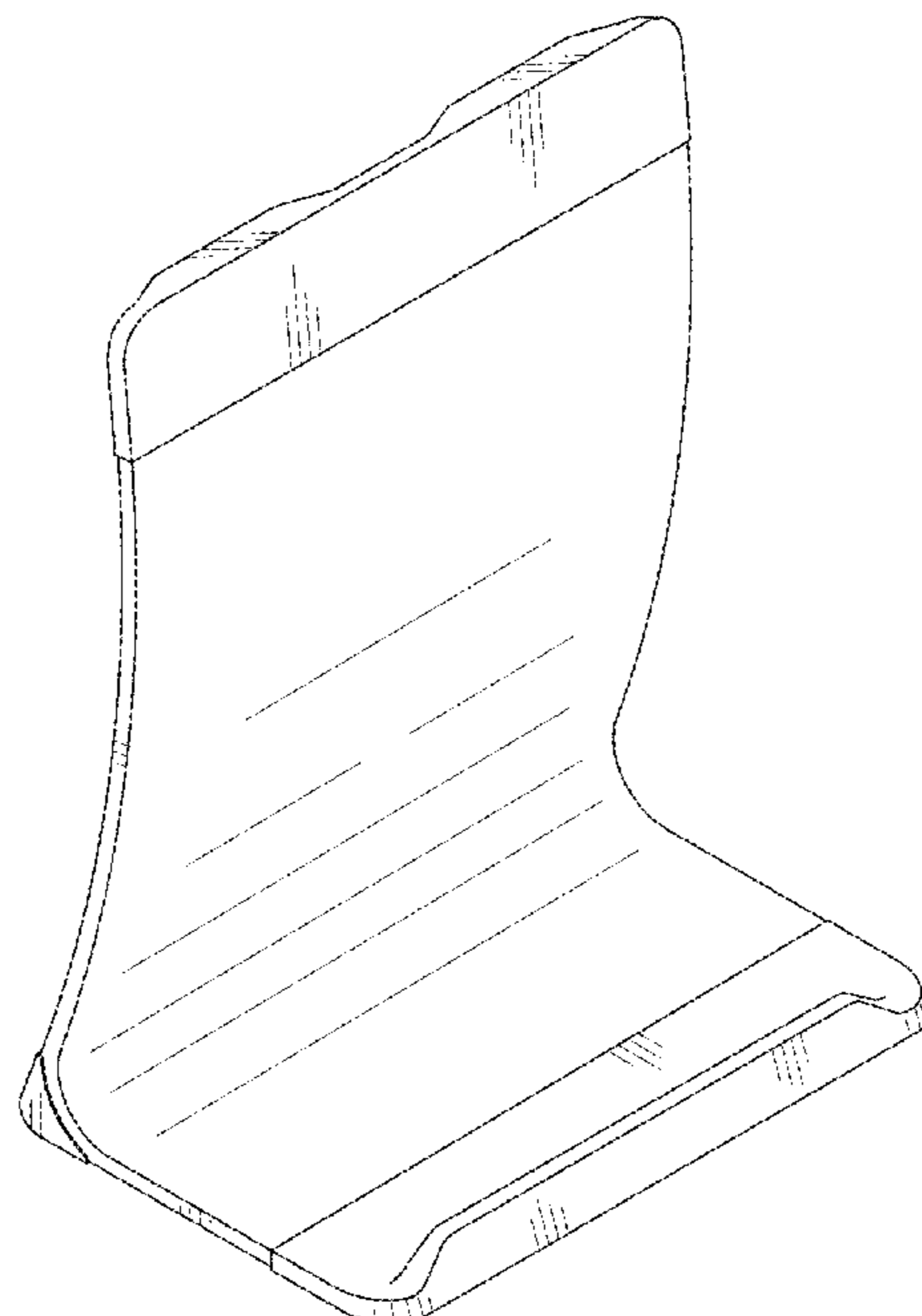


FIG. 1

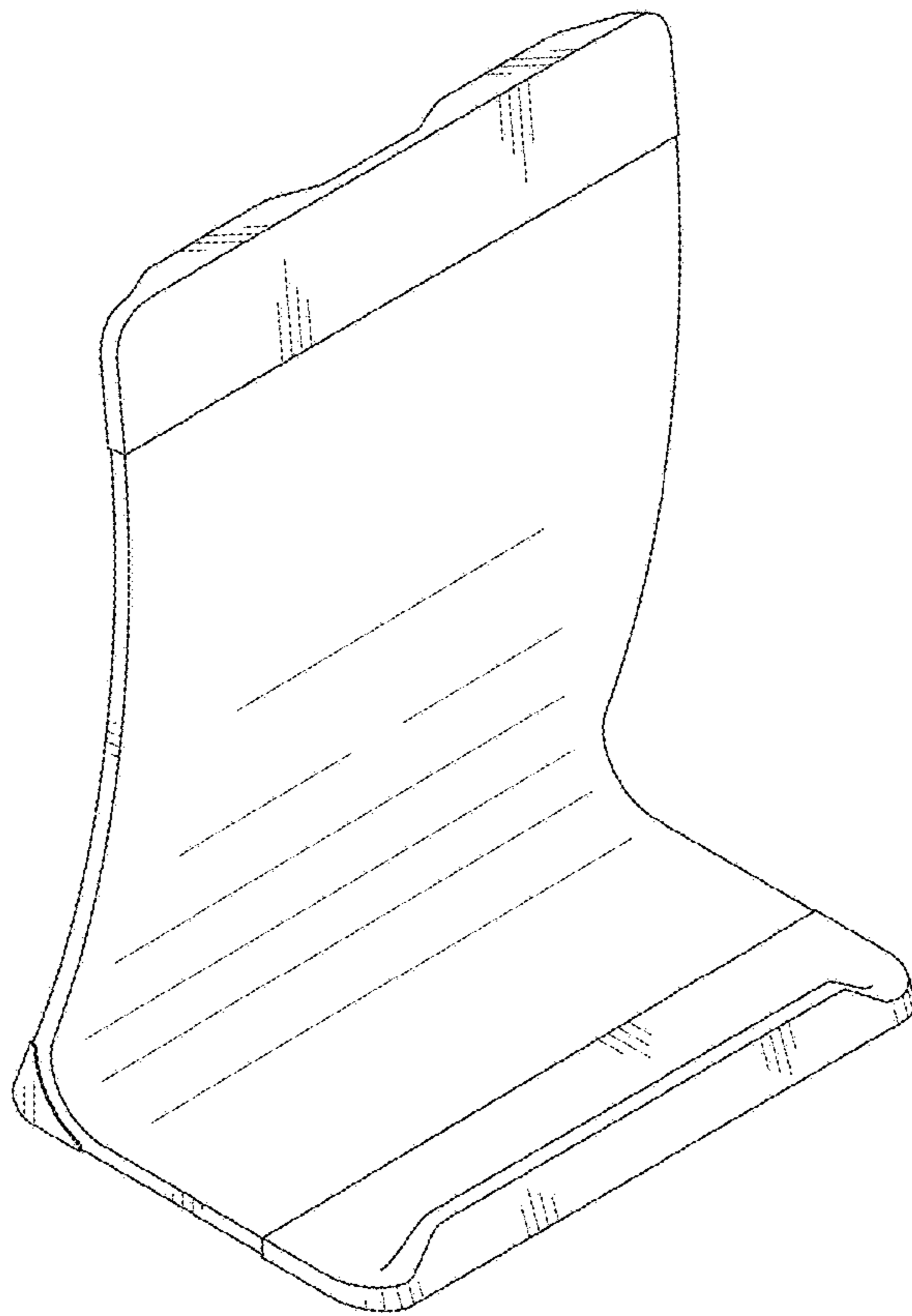


FIG. 2

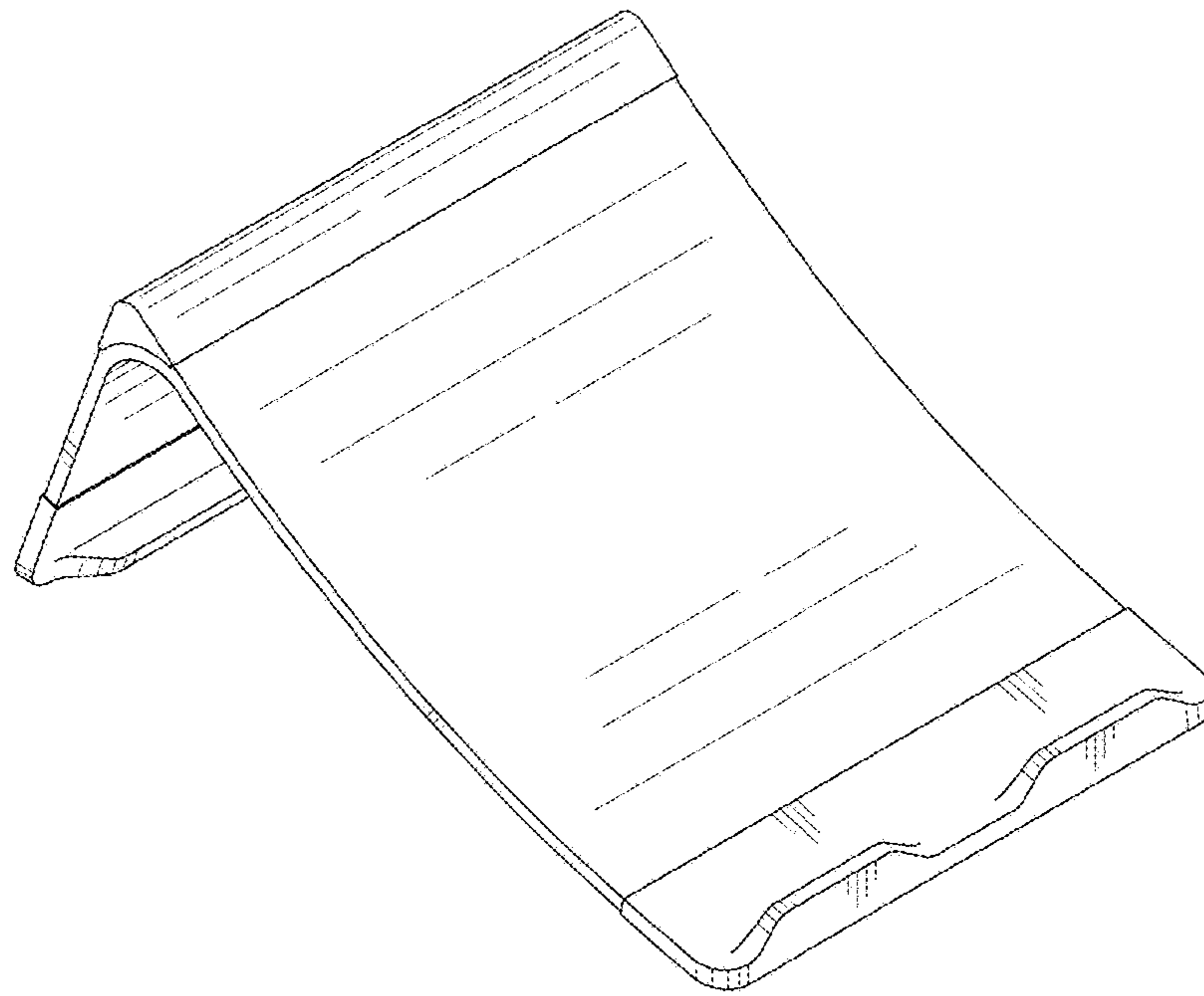


FIG. 3

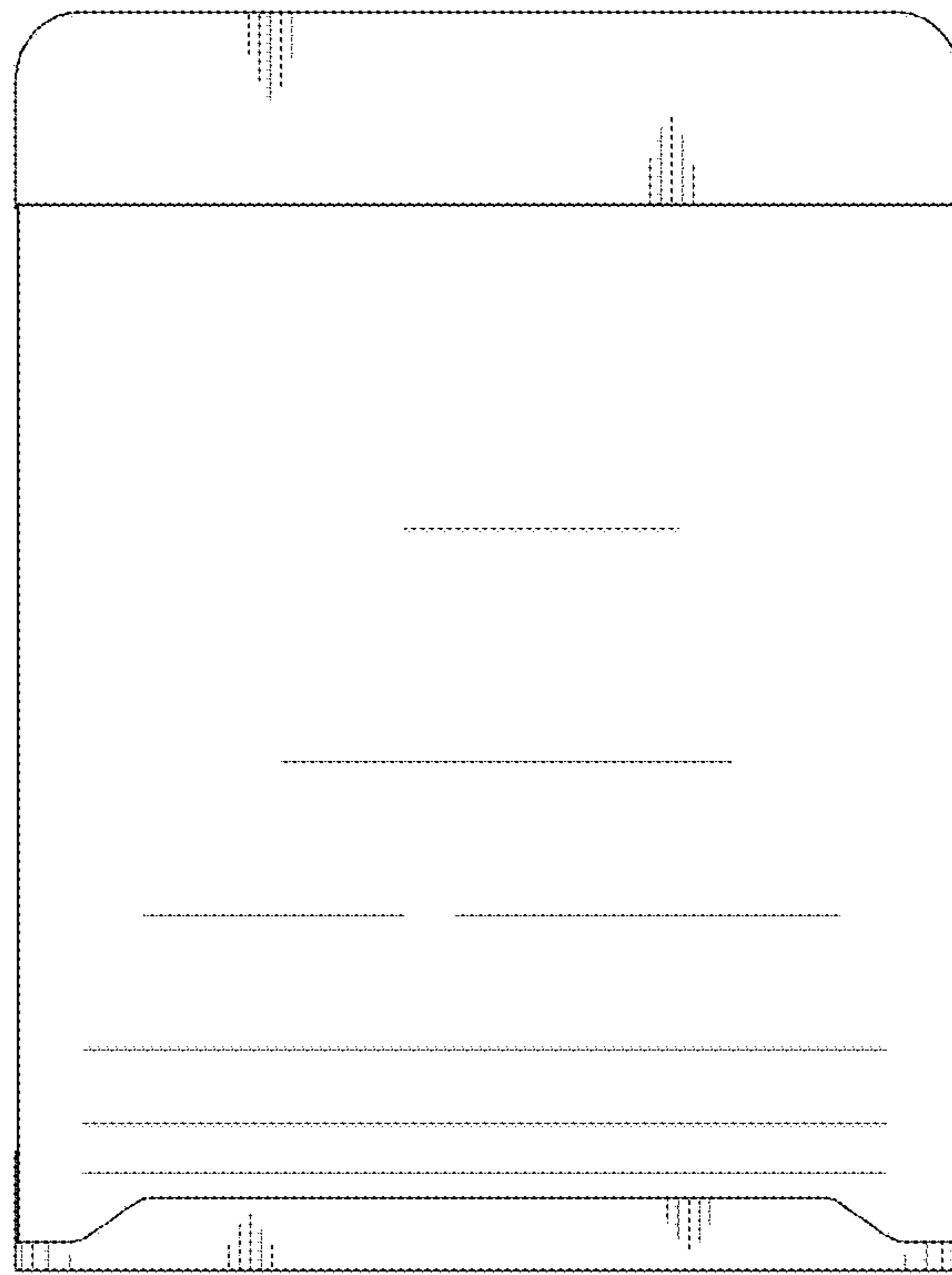


FIG. 4

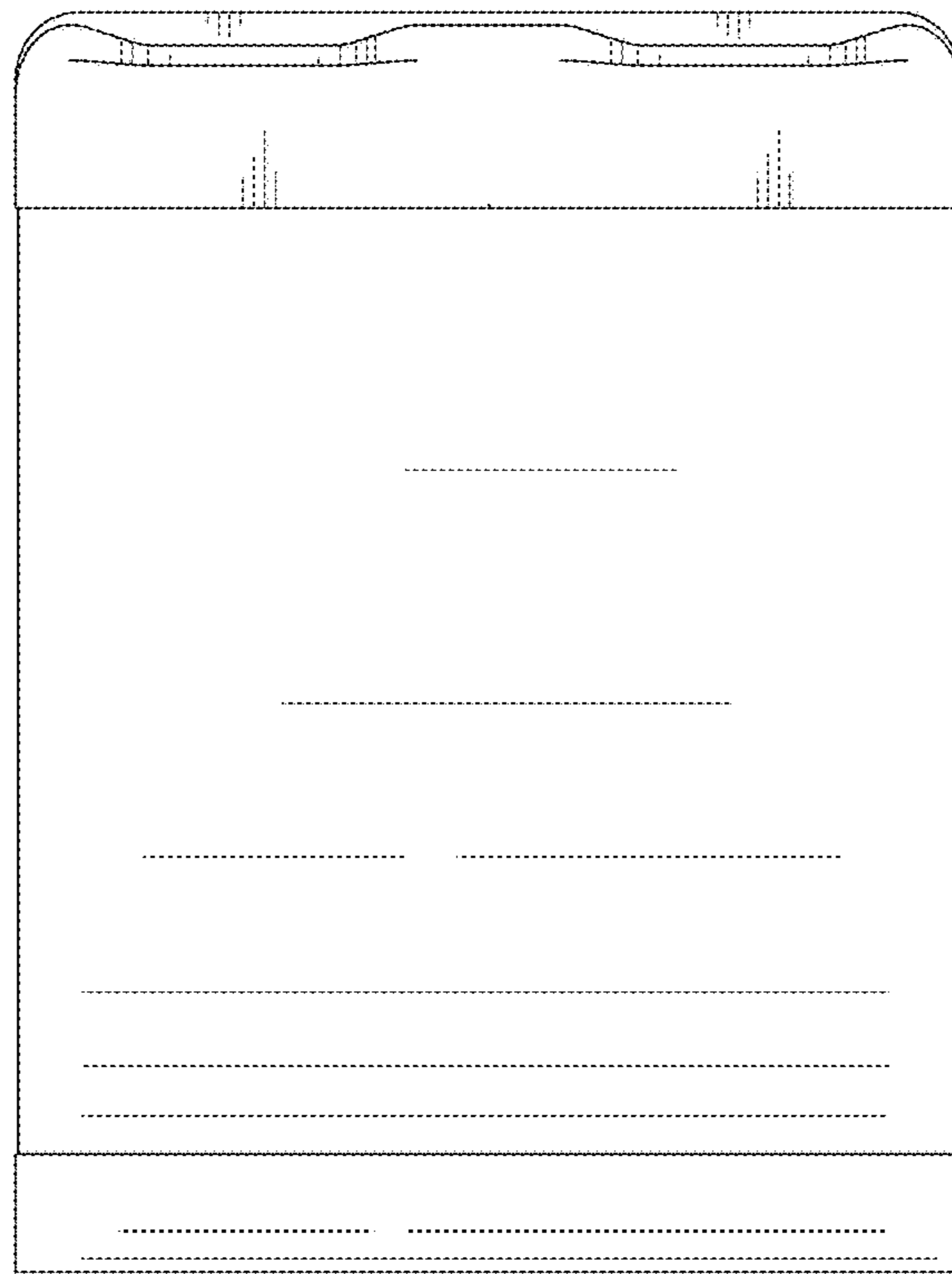


FIG. 5

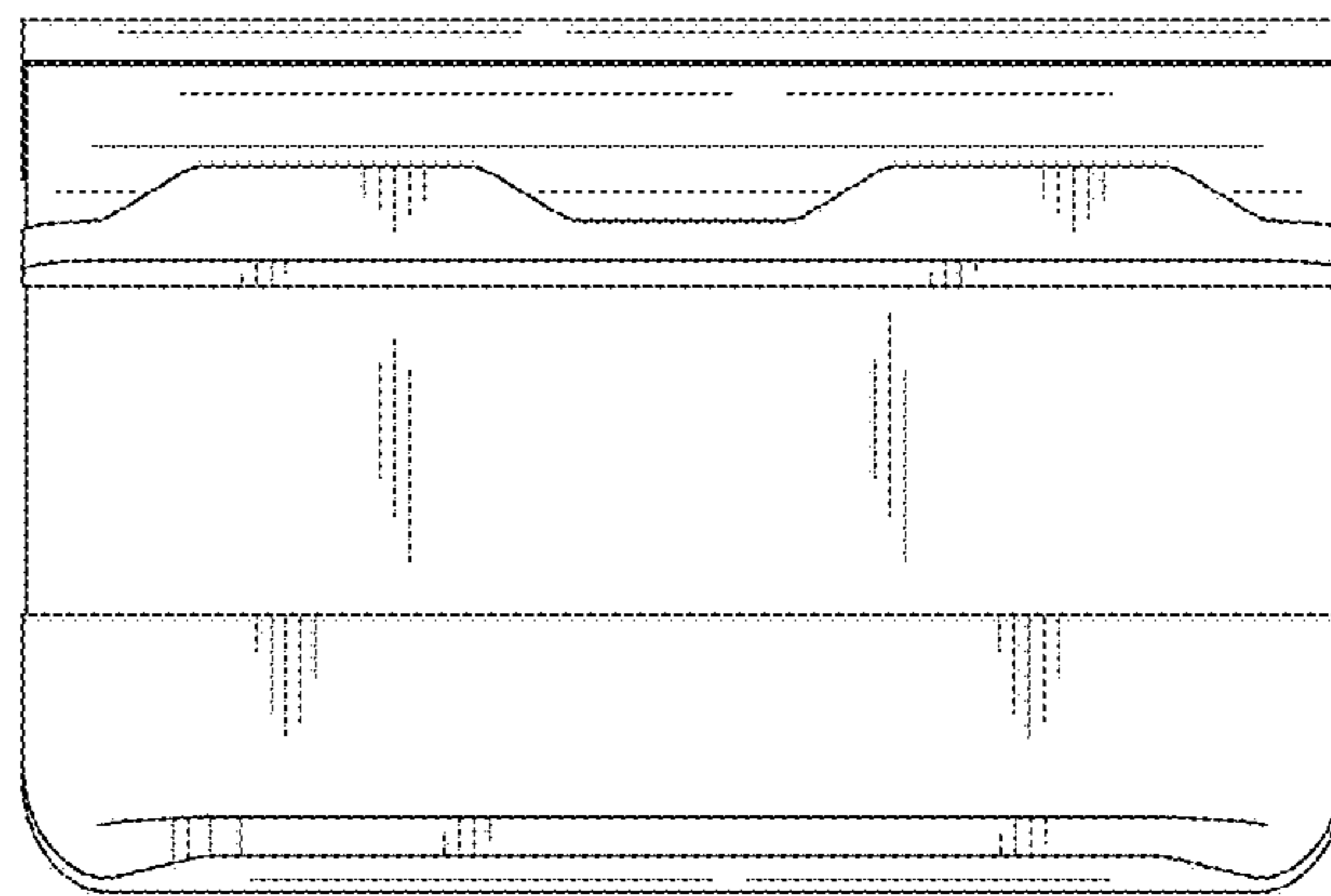


FIG. 6

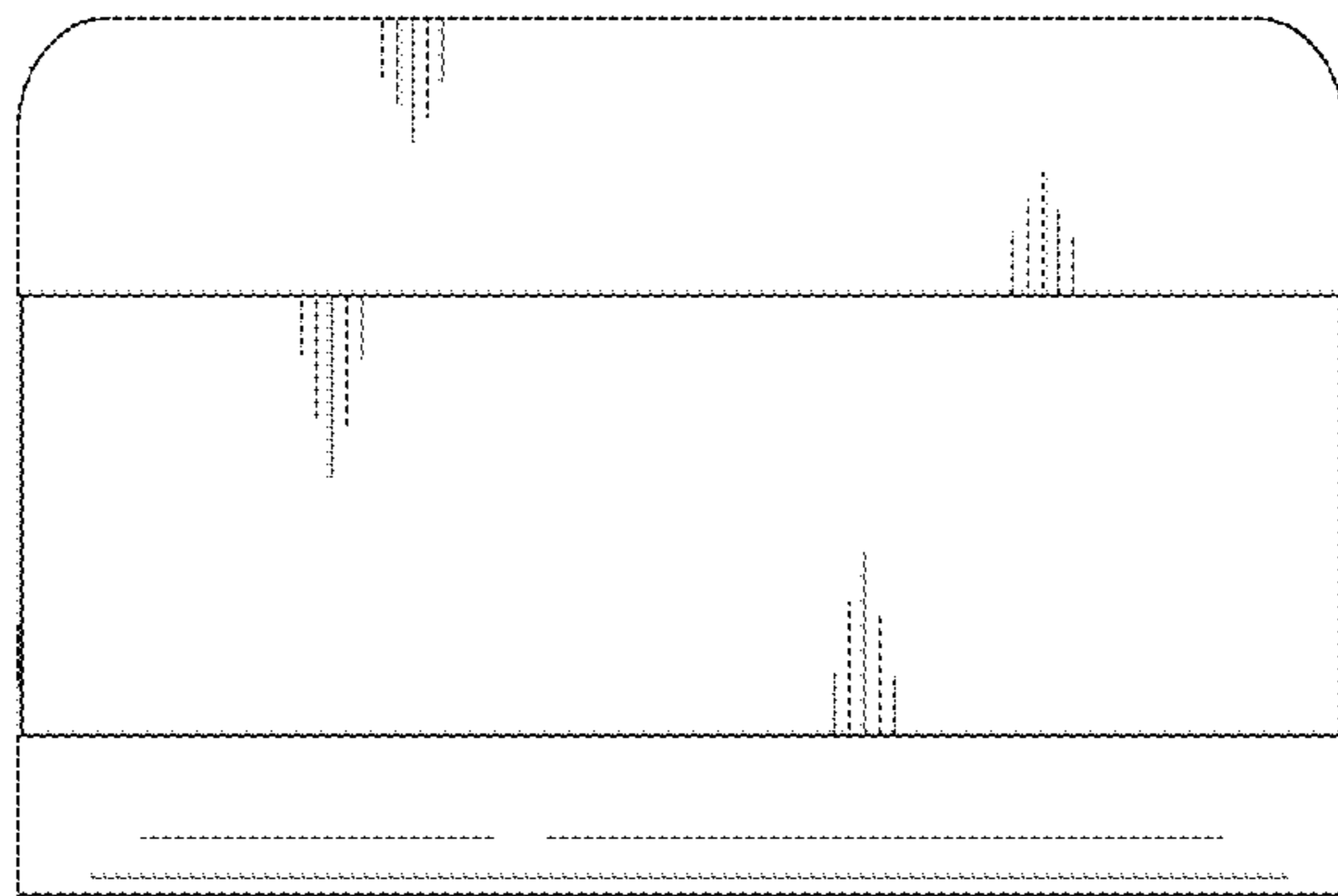


FIG. 7

