



US00D856340S

(12) **United States Design Patent** (10) **Patent No.:** **US D856,340 S**
Tur (45) **Date of Patent:** **** Aug. 13, 2019**

(54) **TEACH PENDANT BUMPER** D674,803 S * 1/2013 Westrup A45C 3/02
D14/440
(71) Applicant: **ROBOWORLD MOLDED** D678,262 S 3/2013 Prato
PRODUCTS, LLC, West Chester, OH D678,298 S * 3/2013 Burrige D14/447
(US) D681,483 S 5/2013 Biegert et al.
D688,582 S 8/2013 Wilson
D688,967 S 9/2013 Wilson
(72) Inventor: **Christian A. Tur**, West Chester, OH 8,523,124 B2 9/2013 Yuan et al.
(US) D692,006 S 10/2013 Fujioka
D693,709 S 11/2013 Lee et al.
(Continued)

(73) Assignee: **ROBOWORLD MOLDED**
PRODUCTS, LLC, West Chester, OH
(US)

(**) Term: **15 Years**

(21) Appl. No.: **29/653,163**

(22) Filed: **Jun. 13, 2018**

(51) **LOC (12) Cl.** **14-02**

(52) **U.S. Cl.**
USPC **D14/440**

(58) **Field of Classification Search**
USPC 206/320; D14/440, 447, 250;
361/679.55; 294/25; 224/218
See application file for complete search history.

(56) **References Cited**

U.S. PATENT DOCUMENTS

5,887,723 A 3/1999 Myles et al.
D413,582 S 9/1999 Tompkins
D480,720 S 10/2003 Sjoberg et al.
D531,524 S 11/2006 Behling
D581,421 S 11/2008 Richardson et al.
D638,324 S 5/2011 Tang
D643,433 S 8/2011 Hsieh et al.
D647,107 S 10/2011 Akana et al.
D656,135 S 3/2012 Swartz et al.
8,256,612 B1 9/2012 Wang
D671,930 S 12/2012 Akana et al.
D674,789 S 1/2013 Wen

OTHER PUBLICATIONS

Underwood, Cynthia R.; Notice of Allowance for U.S. Patent Application No. 29/623,900; United States Patent and Trademark Office; Alexandria, Virginia; date mailed Sep. 12, 2018.

Primary Examiner — Cynthia R Underwood

(74) *Attorney, Agent, or Firm* — Thomas E. Lees, LLC

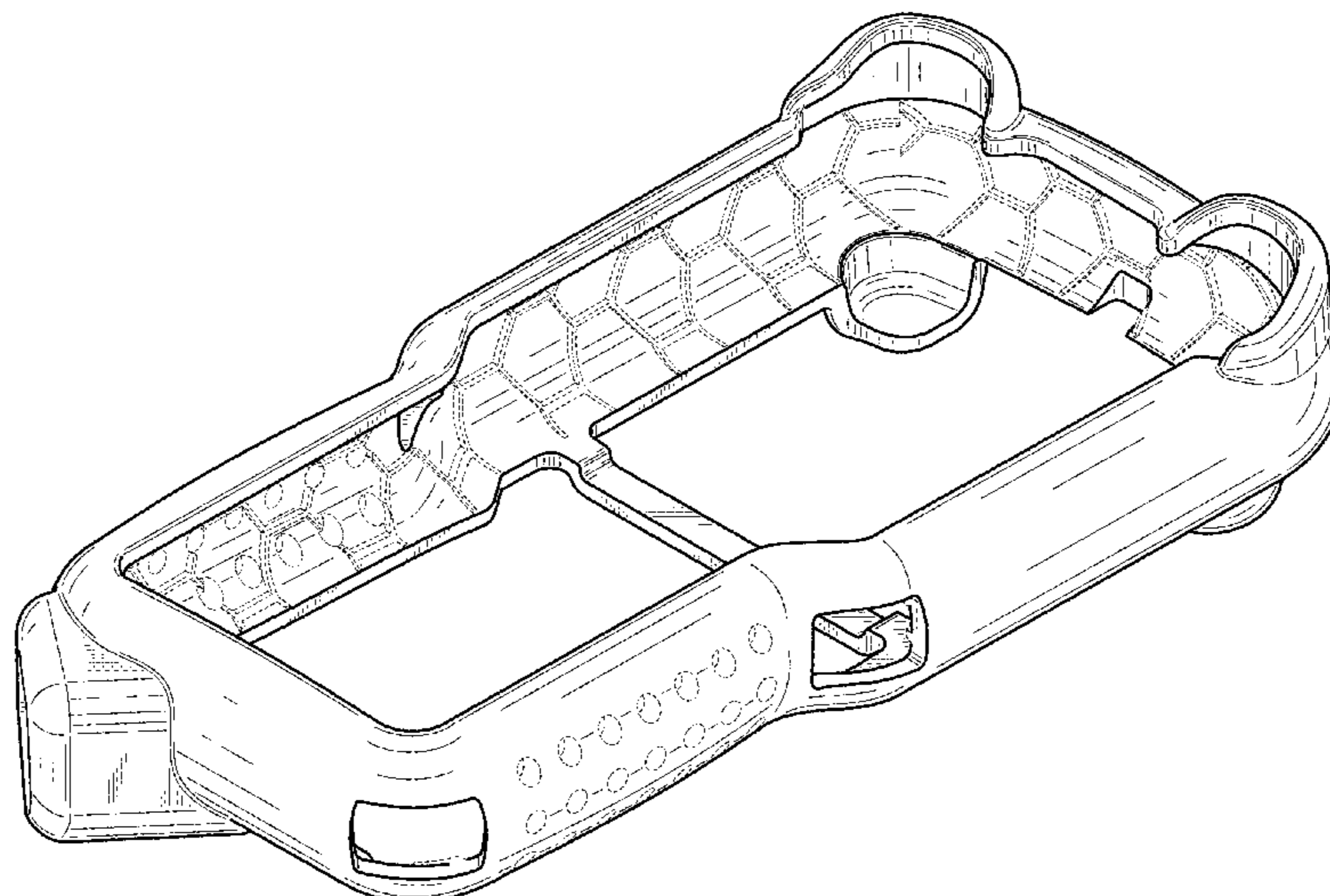
(57) **CLAIM**

The ornamental design for a teach pendant bumper, as shown and described.

DESCRIPTION

FIG. 1 is a perspective view of a teach pendant bumper; FIG. 2 is a left side elevational view of the teach pendant bumper; FIG. 3 is a right side elevational view of the teach pendant bumper; FIG. 4 is a rear side elevational view of the teach pendant bumper; FIG. 5 is a front side elevational view of the teach pendant bumper; FIG. 6 is a top plan view of the teach pendant bumper; and, FIG. 7 is a bottom plan view of the teach pendant bumper. The broken lines represent portions of the structure that forms no part of the claim.

1 Claim, 7 Drawing Sheets



(56)

References Cited

U.S. PATENT DOCUMENTS

D703,649 S	4/2014	Wikel et al.	D769,879 S	10/2016	Kim
D711,866 S	8/2014	Kawata	D779,495 S	2/2017	Tur
D714,295 S	9/2014	Fujioka	D779,496 S	2/2017	Tur
D716,285 S *	10/2014	Chaney A45C 11/00	D780,185 S	2/2017	Tur
		D14/250	D780,764 S	3/2017	Tur
D716,312 S	10/2014	Fujioka	D780,765 S	3/2017	Tur
D717,304 S	11/2014	Yturralde et al.	D781,295 S	3/2017	Tur
D717,804 S *	11/2014	Budge D14/447	D781,296 S	3/2017	Tur
D723,016 S	2/2015	Lee et al.	D781,864 S	3/2017	Tur
D728,549 S	5/2015	Su et al.	D782,487 S	3/2017	Tur
D728,552 S	5/2015	Kim et al.	D786,879 S	5/2017	Kim
D728,553 S	5/2015	Kim et al.	D790,512 S *	6/2017	Lee D14/217
D729,787 S	5/2015	Soekoro	D790,528 S *	6/2017	Lindloff D14/253
D730,225 S	5/2015	Behar	D792,886 S	7/2017	Schwibner et al.
D735,198 S	7/2015	Song	D801,341 S	10/2017	Tur
D735,199 S	7/2015	Song	D801,342 S	10/2017	Tur
D735,200 S	7/2015	Song	D817,334 S	5/2018	Fenton et al.
D735,586 S	8/2015	Stegmann	D824,397 S	7/2018	Charlesworth et al.
D735,724 S	8/2015	Song	D832,272 S *	10/2018	Tur D14/440
D736,103 S	8/2015	Behling	D834,029 S *	11/2018	Wengreen D14/447
D736,777 S	8/2015	Rayner	D841,636 S *	2/2019	Turk B60R 11/02
D747,707 S	1/2016	Roberts et al.			D14/250
D751,558 S	3/2016	Lee	D842,861 S *	3/2019	Bailey D14/440
D752,044 S	3/2016	Akana et al.	D846,542 S *	4/2019	Sasaki D14/250
D754,133 S	4/2016	Chen et al.	2006/0274493 A1	12/2006	Richardson et al.
D756,344 S	5/2016	Roberts et al.	2010/0061191 A1	3/2010	Chen
D761,263 S	7/2016	Brinkman et al.	2010/0243516 A1	9/2010	Martin et al.
D762,201 S	7/2016	Tseng et al.	2011/0297578 A1	12/2011	Stiehl et al.
D762,202 S	7/2016	Tseng et al.	2012/0043236 A1	2/2012	Szucs et al.
D762,203 S	7/2016	Chin et al.	2012/0182678 A1	7/2012	Wu et al.
D764,476 S	8/2016	Gleason, III et al.	2012/0257340 A1	10/2012	Kim
D764,477 S	8/2016	Su et al.	2012/0321294 A1	12/2012	Tages et al.
D766,904 S	9/2016	Jung	2013/0148271 A1	6/2013	Huang
D766,905 S	9/2016	Lee	2013/0210503 A1	8/2013	Keesling et al.
D766,906 S	9/2016	Kim	2013/0222139 A1	8/2013	Gouge et al.
D767,573 S	9/2016	Kim	2013/0270851 A1 *	10/2013	Konyha A45F 5/00
D768,122 S	10/2016	Buffone			294/142
			2014/0216953 A1	8/2014	Su et al.
			2017/0210303 A1 *	7/2017	Luis y Prado B60R 11/04

* cited by examiner

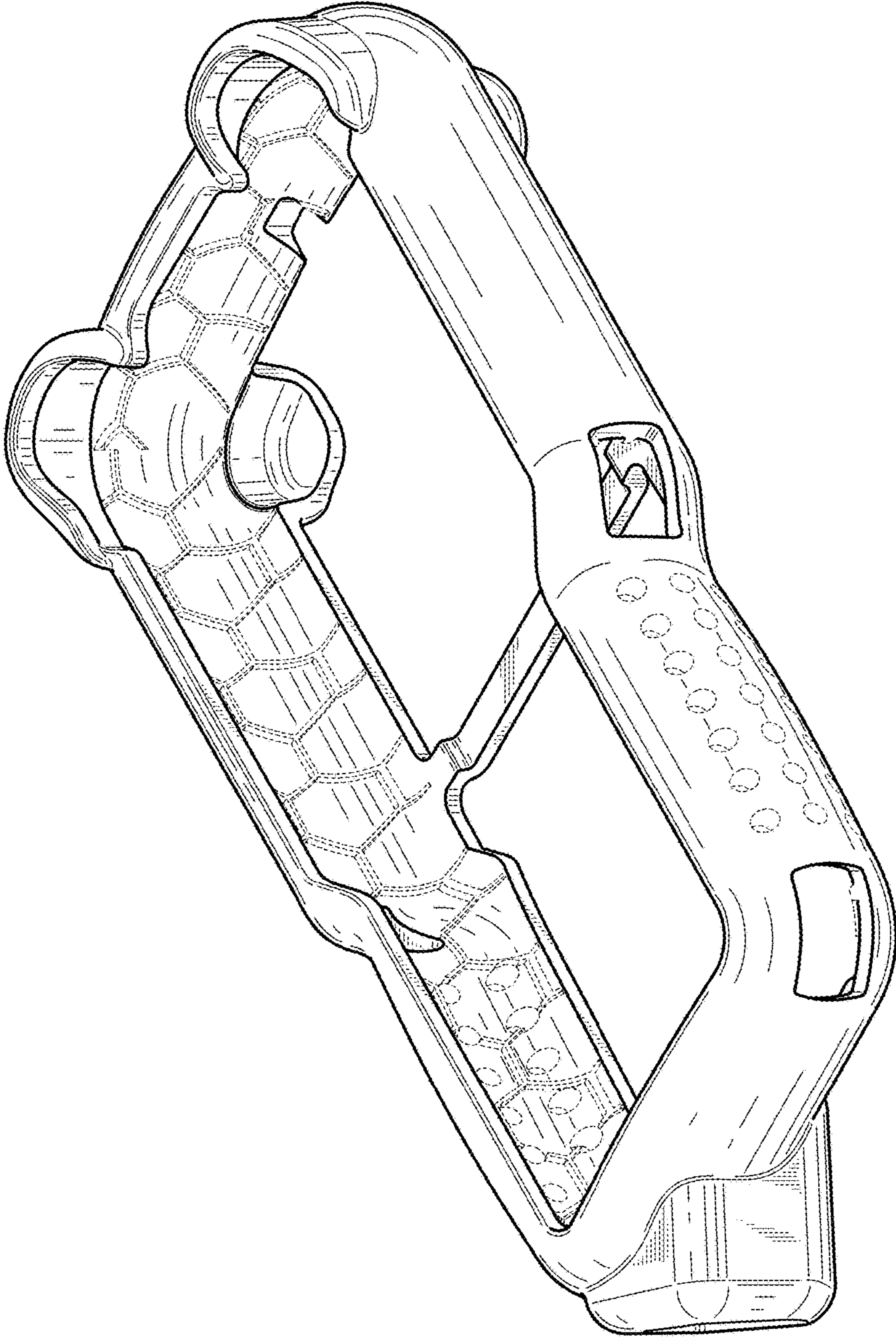


FIG. 1

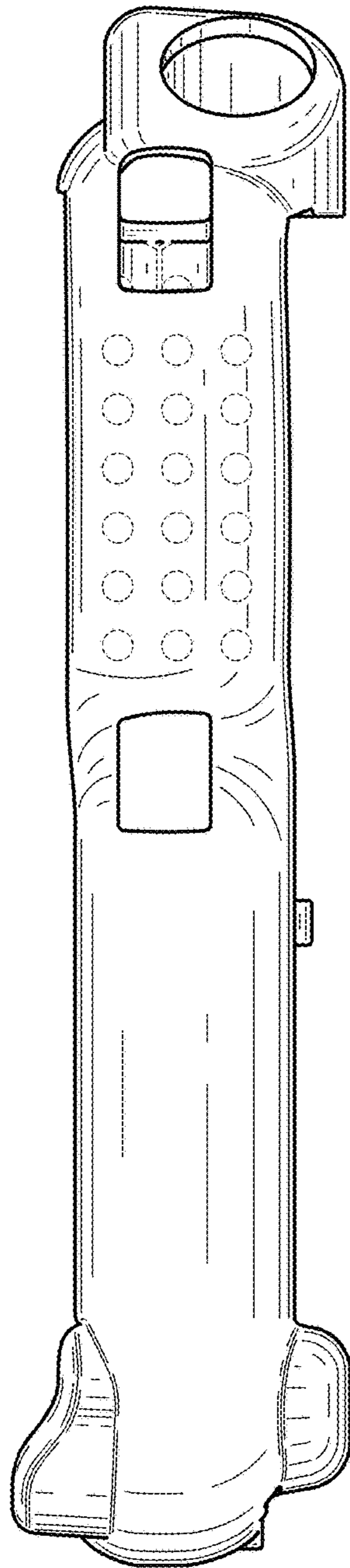


FIG. 2

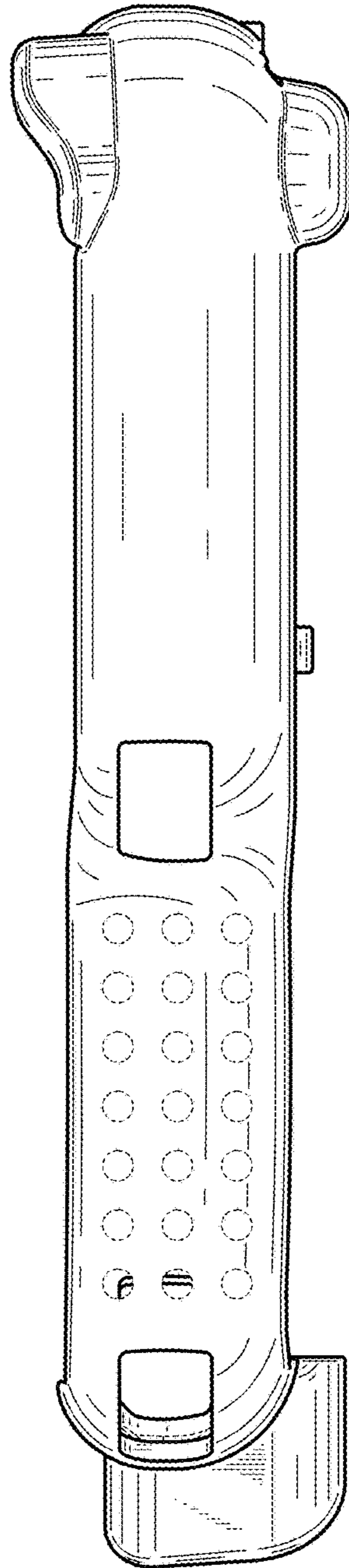


FIG. 3

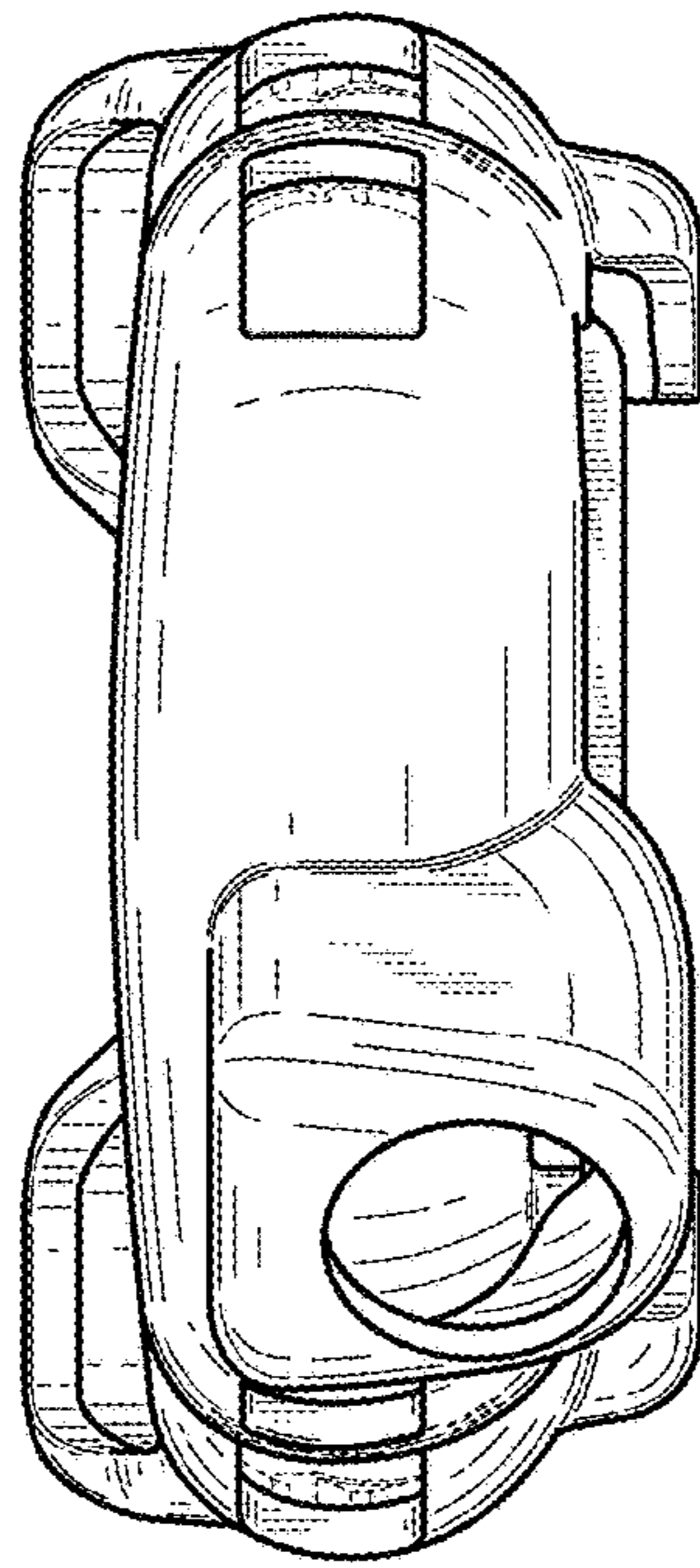


FIG. 4

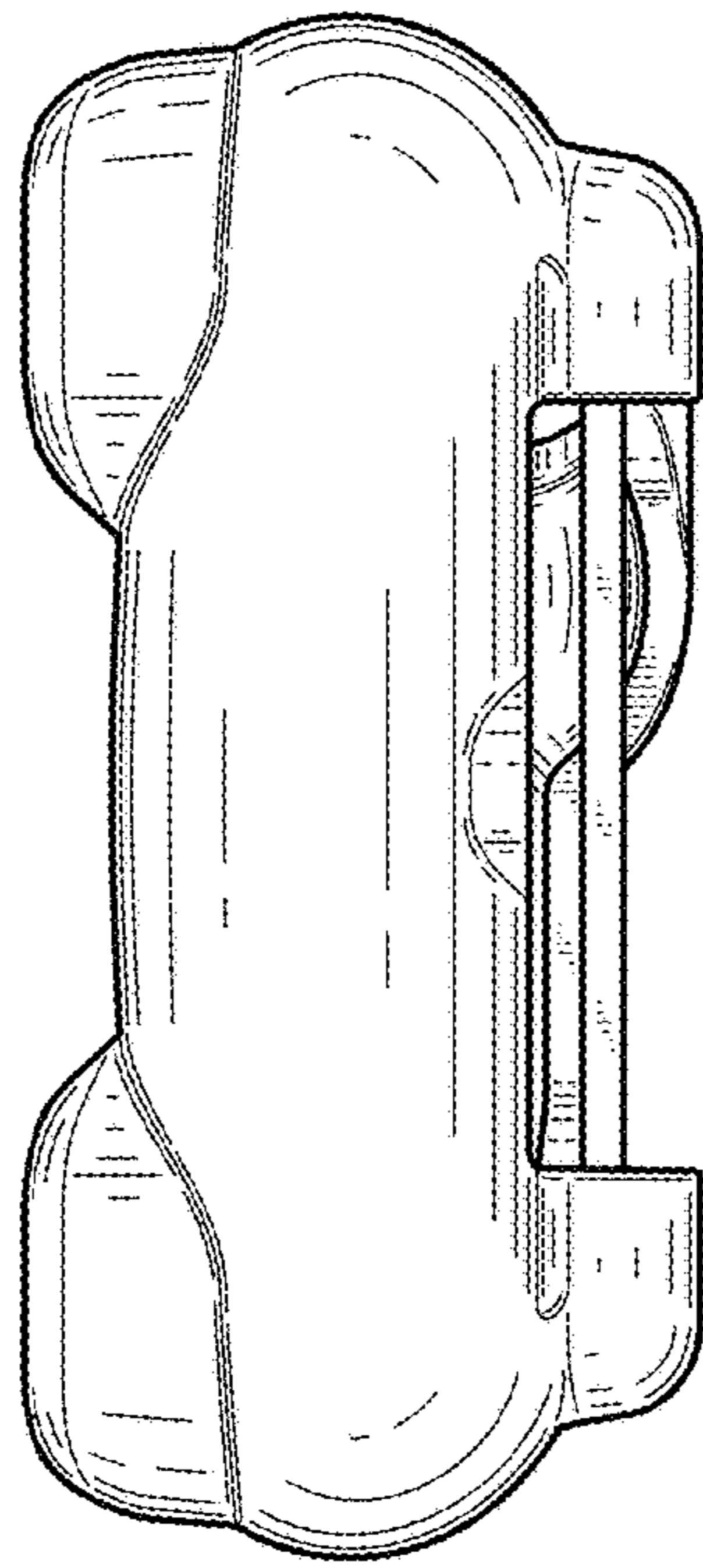


FIG. 5

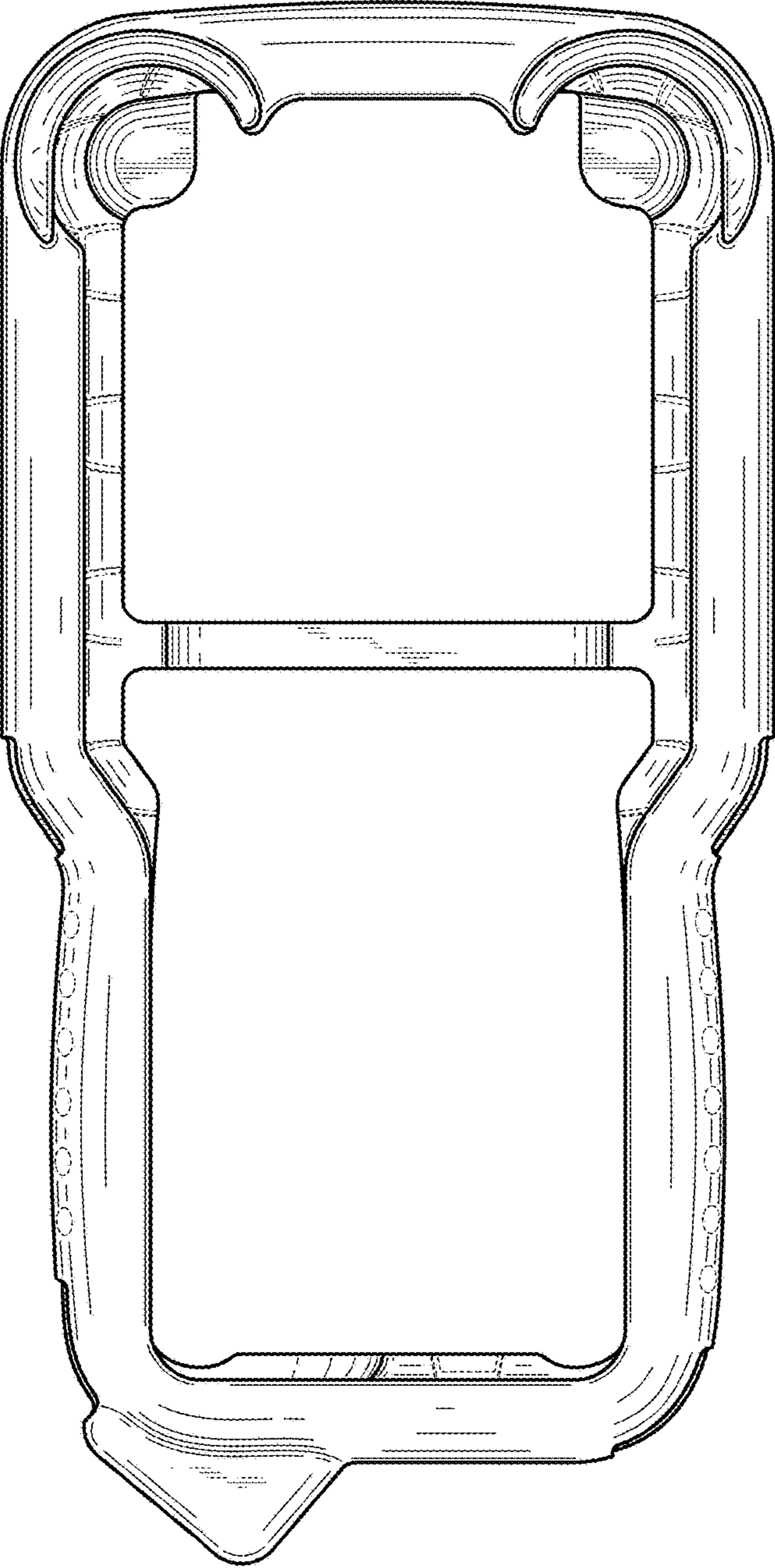


FIG. 6

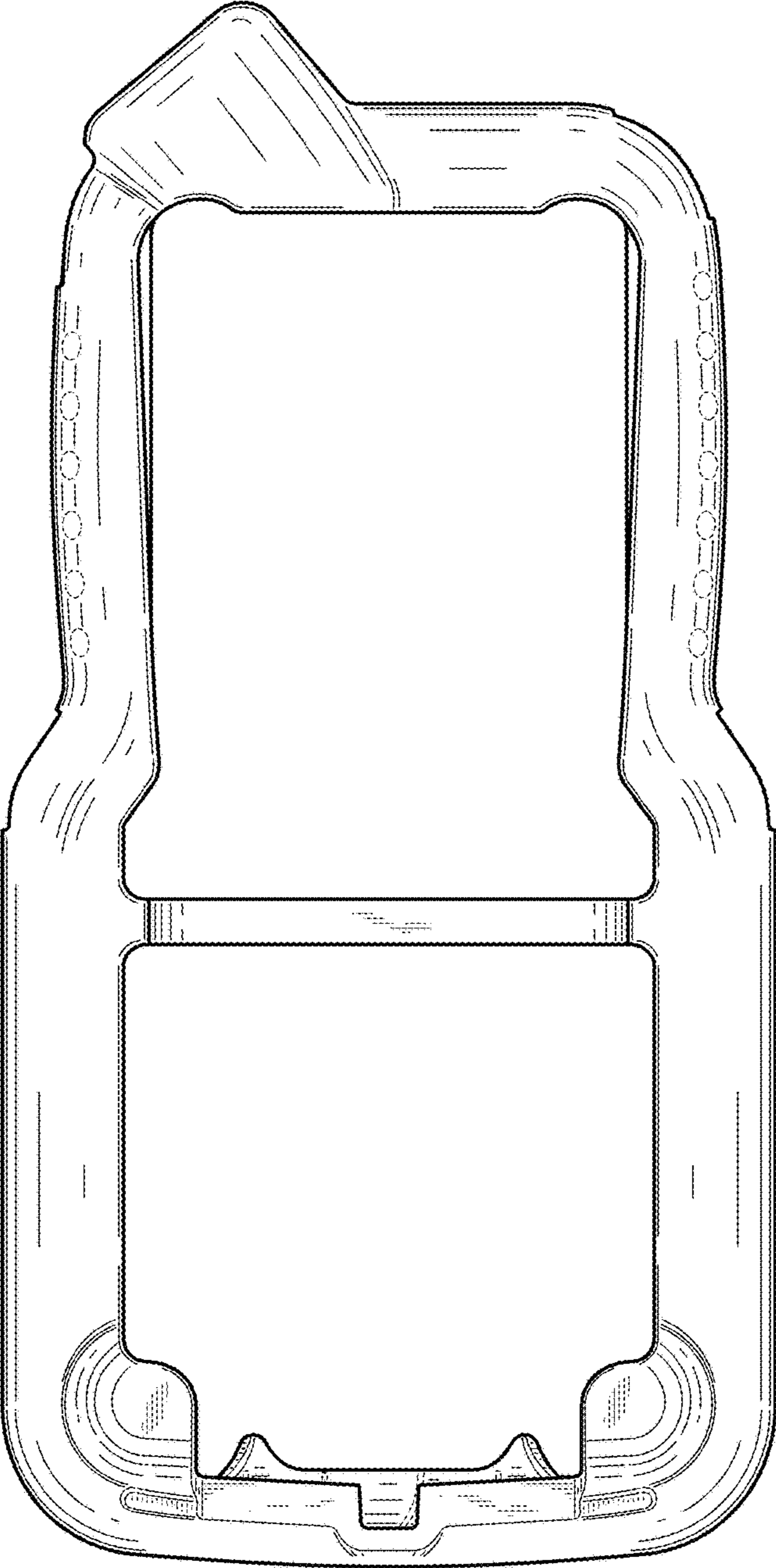


FIG. 7