



US00D856339S

(12) **United States Design Patent**
Huffman

(10) **Patent No.:** **US D856,339 S**

(45) **Date of Patent:** **** Aug. 13, 2019**

(54) **ZIPPERED FABRIC CASE FOR A
COMPUTER TABLET AND A MAP SLEEVE**

D742,385 S * 11/2015 Chaney D14/440

D750,086 S * 2/2016 Langhein H04M 1/04

D14/440

D752,052 S * 3/2016 Park D14/440

D762,060 S * 7/2016 Adio D3/243

(Continued)

(71) Applicant: **Andy Huffman**, Burton, OH (US)

(72) Inventor: **Andy Huffman**, Burton, OH (US)

(**) Term: **15 Years**

Primary Examiner — Cynthia R Underwood

(74) *Attorney, Agent, or Firm* — Daniel M. Cohn;

Howard M. Cohn

(21) Appl. No.: **29/641,112**

(22) Filed: **Mar. 20, 2018**

(57) **CLAIM**

(51) **LOC (12) Cl.** **14-02**

I claim the ornamental design for a zippered fabric case for a computer tablet and a map sleeve, substantially as shown and described.

(52) **U.S. Cl.**

USPC **D14/440**

(58) **Field of Classification Search**

DESCRIPTION

USPC D14/440, 447, 250; 206/45.23, 320,

206/45.2; 361/679.55; 294/25; 224/218

CPC ... G06F 1/1628; G06F 1/1626; A47B 23/044;

H04B 1/3888

See application file for complete search history.

FIG. 1 is a left, front perspective view of the zippered fabric case for a computer tablet and a map sleeve in the opened position embodying my new design with the rectangular dotted lines in the bottom cover showing an unclaimed computer tablet in an environment of use;

(56) **References Cited**

U.S. PATENT DOCUMENTS

D278,860 S * 5/1985 Katz D3/289

D358,935 S * 6/1995 Chang D3/276

D452,612 S * 1/2002 Alexandroff D3/263

D517,545 S * 3/2006 Buckel D14/345

D535,101 S * 1/2007 Suppangig D3/289

D552,348 S * 10/2007 Martin D3/265

D574,615 S * 8/2008 Picot D3/289

7,500,561 B2 * 3/2009 Matias A45C 13/02

206/320

D623,857 S * 9/2010 Austin D3/289

D663,944 S * 7/2012 Bouskill D3/203.1

D666,815 S * 9/2012 Janus D3/274

D677,891 S * 3/2013 Janus D3/289

D685,185 S * 7/2013 Bulzis D3/266

D694,246 S * 11/2013 Park D14/440

D730,647 S * 6/2015 Thompson D3/284

D731,184 S * 6/2015 Saydar D3/294

9,056,696 B1 * 6/2015 Reyes A45C 11/00

FIG. 2 is a left, front perspective view thereof with the map sleeve shown in an open position of use and an unclaimed map therein, the diagonal shade lines indicates transparency through a clear window formed in the map sleeve.

FIG. 3 is a front perspective view of FIG. 1;

FIG. 4 is a rear perspective view thereof;

FIG. 5 is a top view thereof;

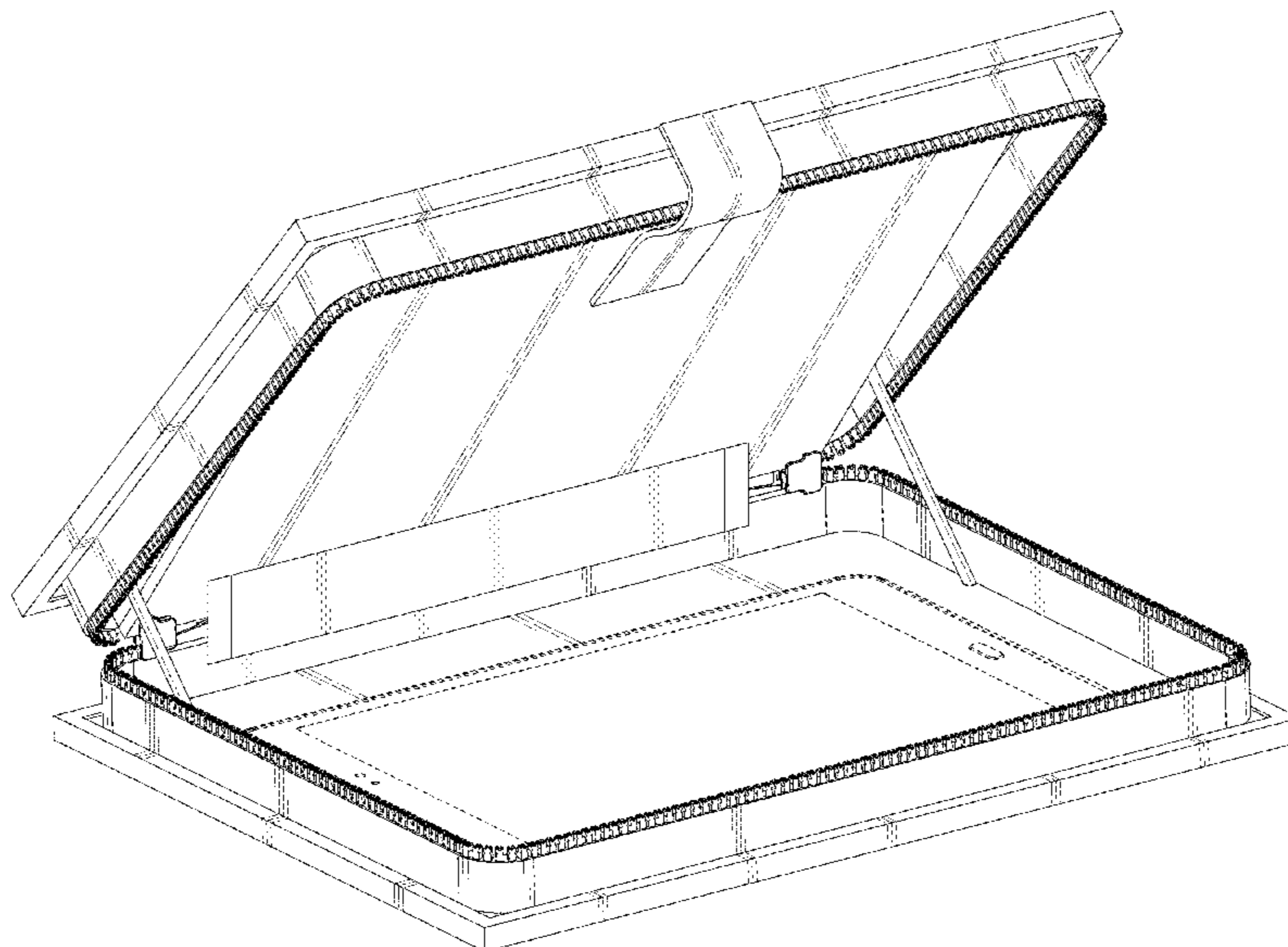
FIG. 6 is a bottom view thereof with the broken lines representing environment and forming no part of the claim;

FIG. 7 is a right side view thereof; and,

FIG. 8 is a left view thereof.

The intended use of the zippered fabric case for a computer tablet and a map sleeve can be used, for example, by attaching the zippered fabric case with straps attached to military body armor, through the two strap attachment members.

1 Claim, 8 Drawing Sheets



(56)

References Cited

U.S. PATENT DOCUMENTS

D801,045 S * 10/2017 Claxton D3/265
D805,081 S * 12/2017 Mittelstadt D14/440
10,162,389 B2 * 12/2018 Tazbaz G06F 1/1681
2004/0134813 A1 * 7/2004 Domotor A45C 3/02
206/320
2012/0240521 A1 * 9/2012 Johnson A45C 13/02
53/396

* cited by examiner

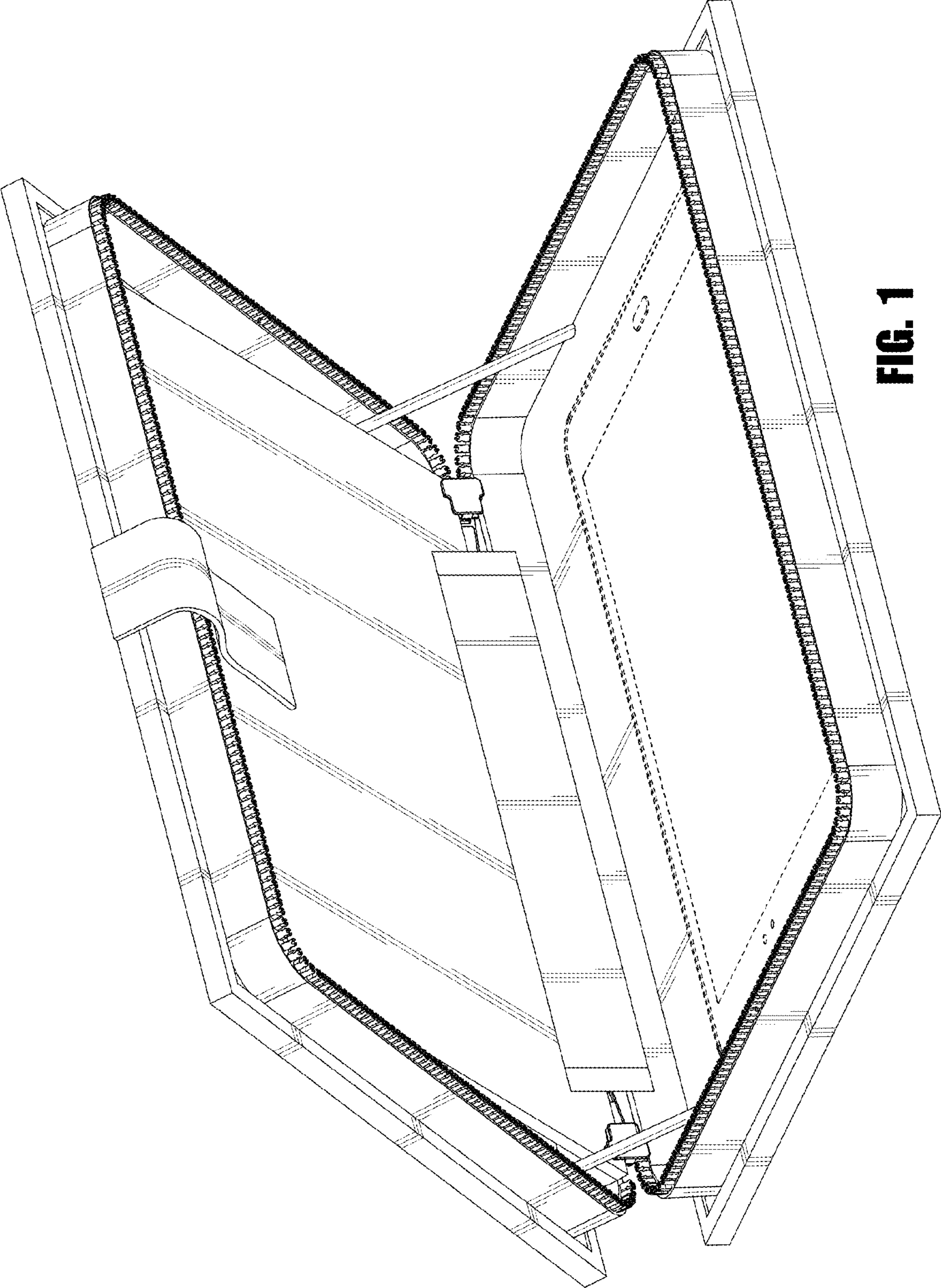


FIG. 1

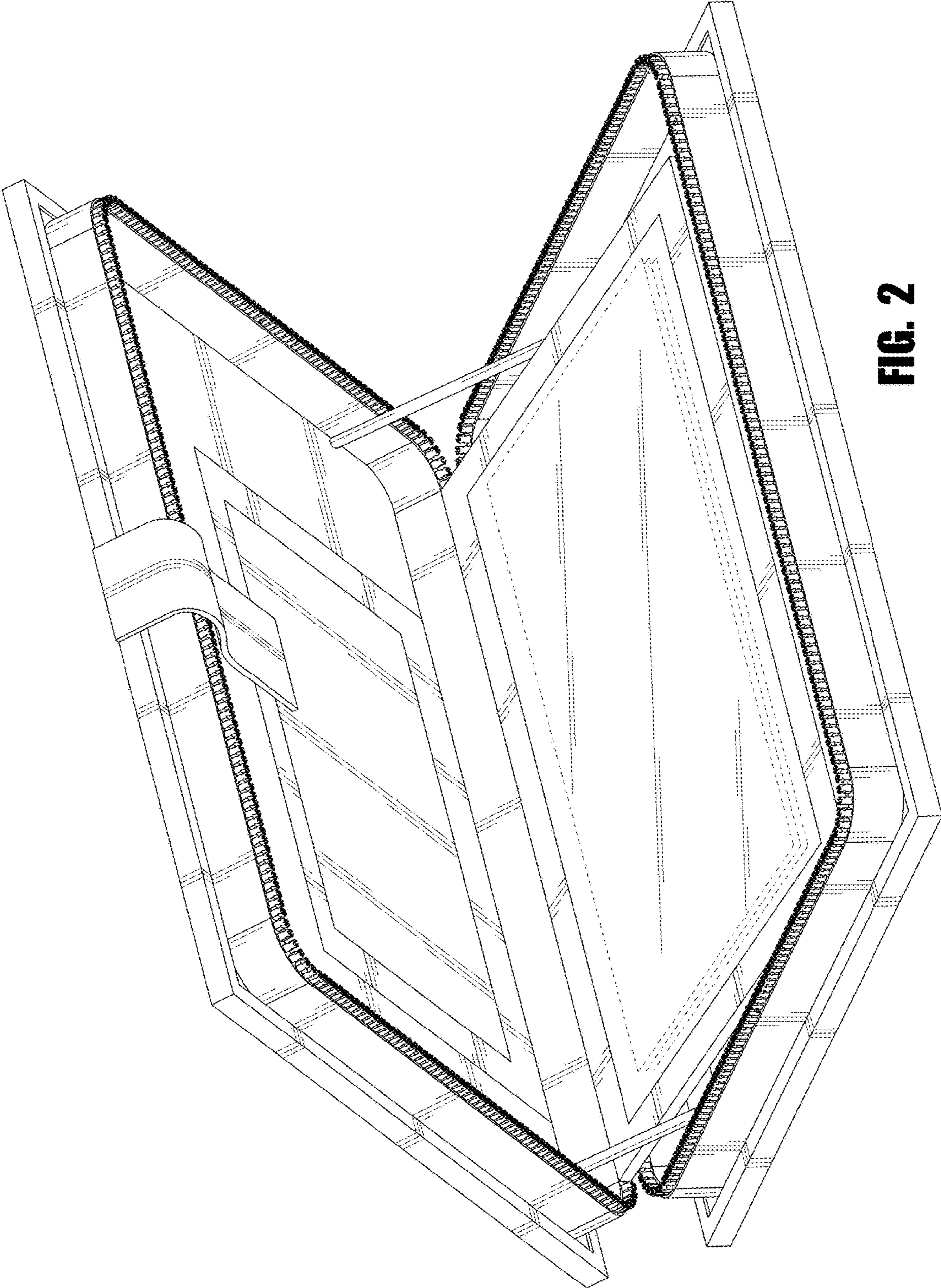


FIG. 2

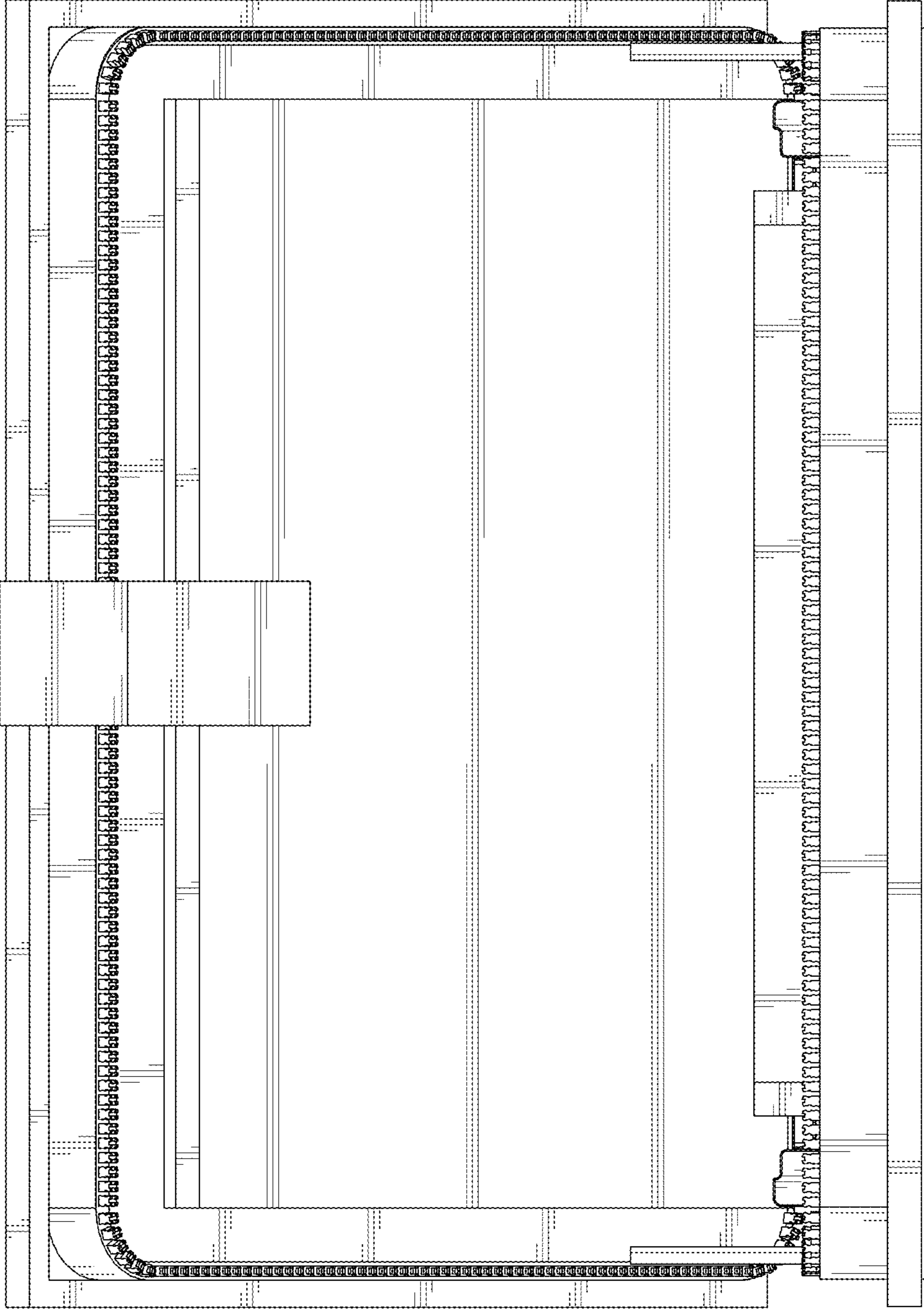


FIG. 3

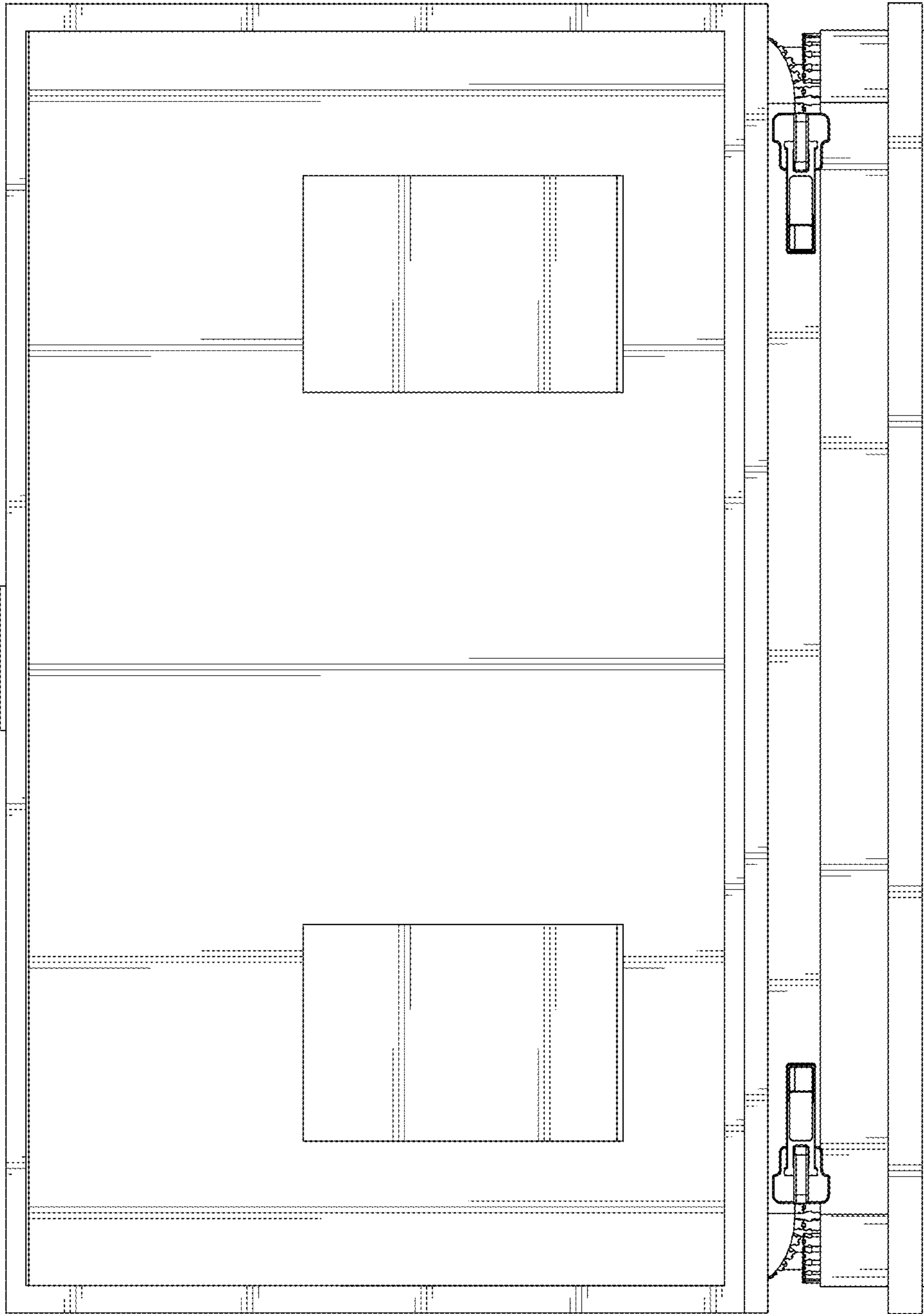


FIG. 4

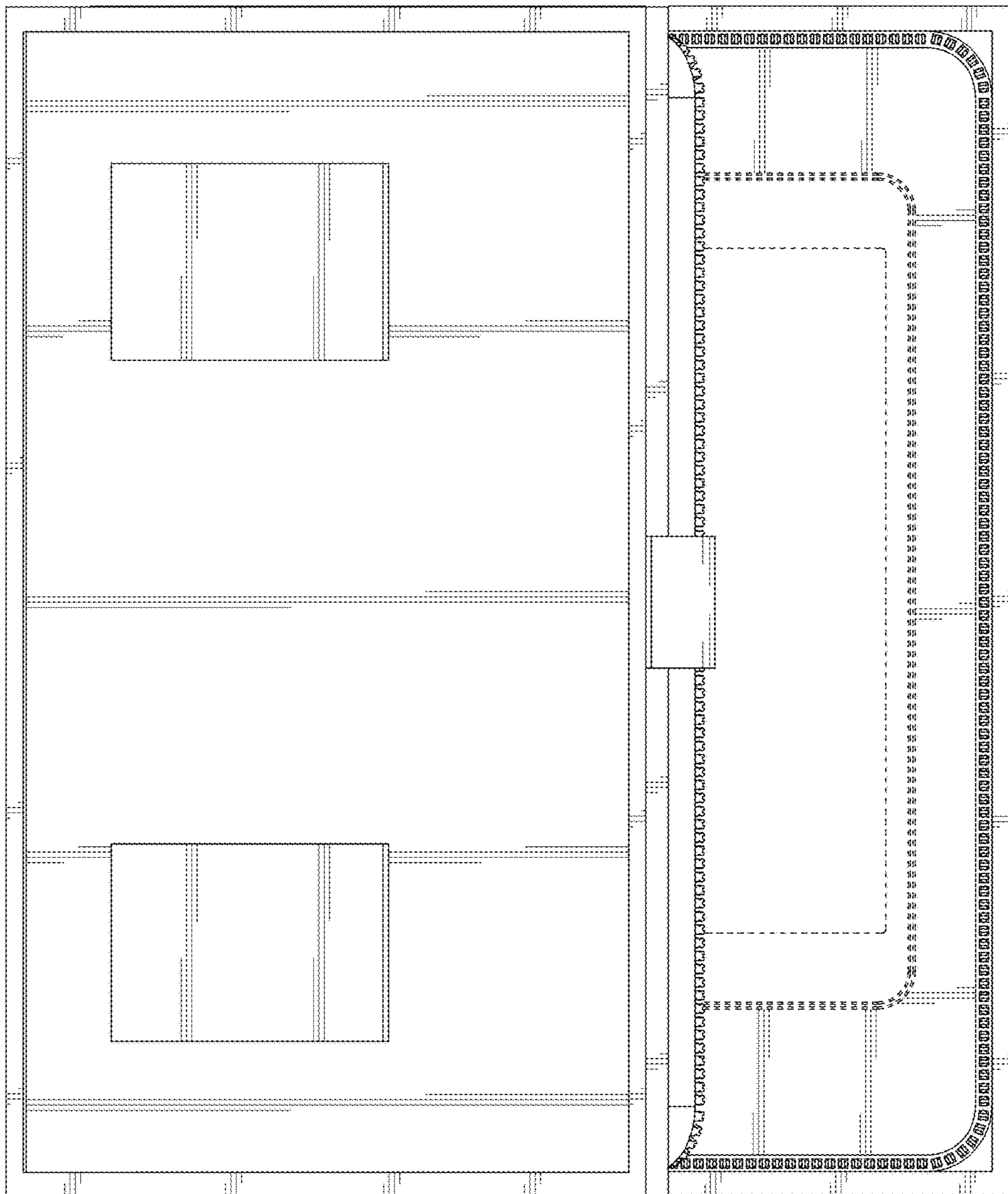


FIG. 5

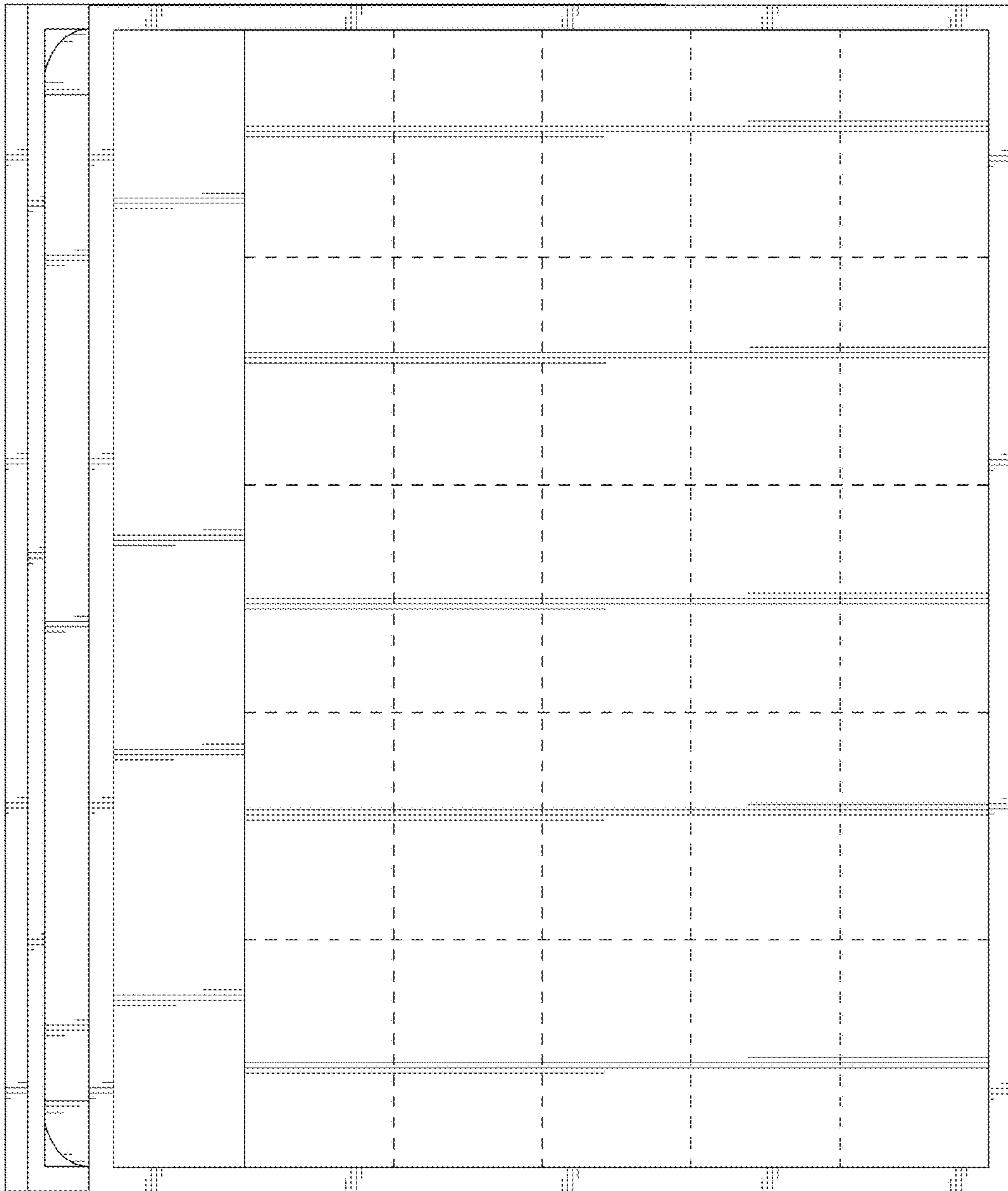


FIG. 6

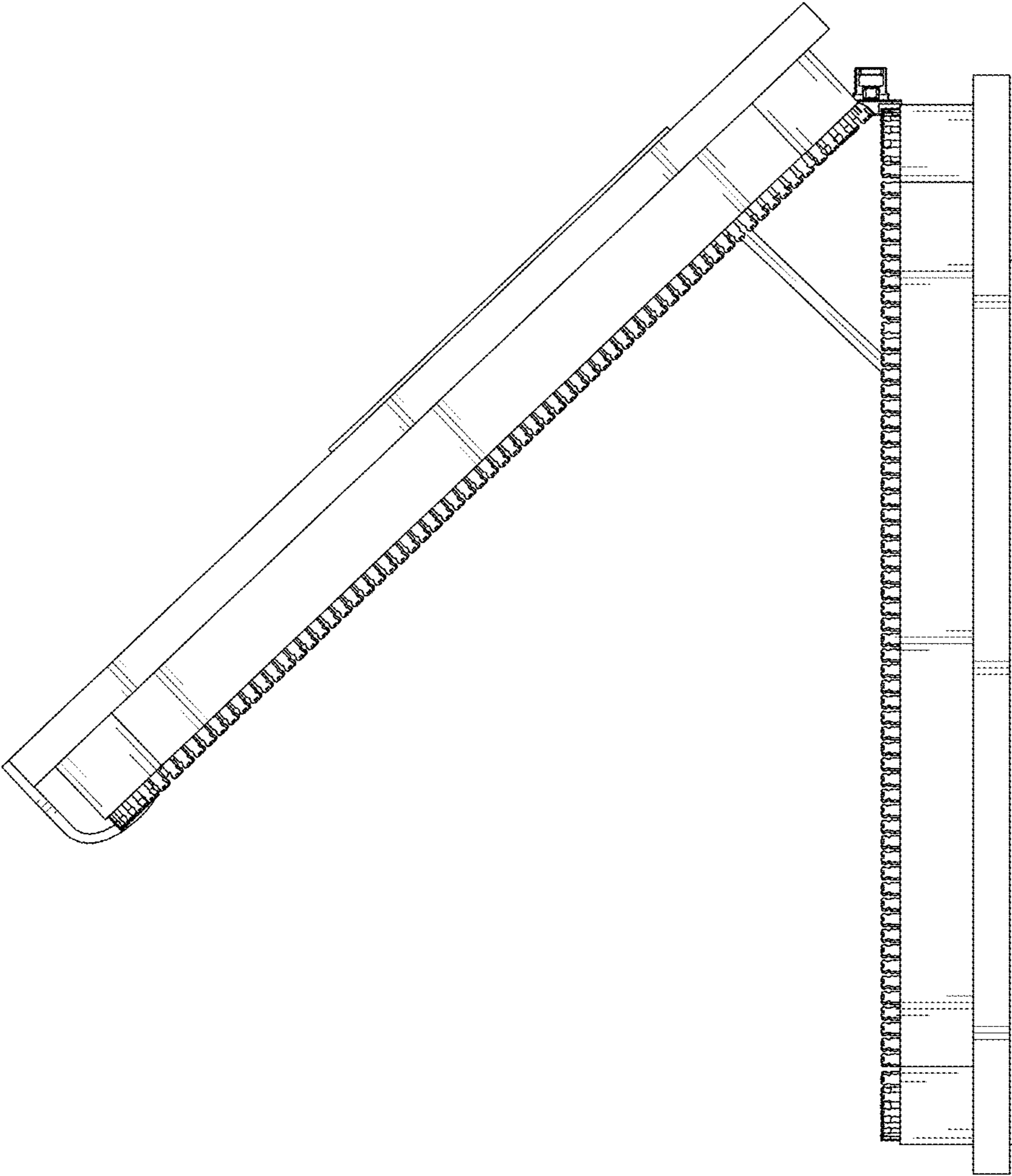


FIG. 7

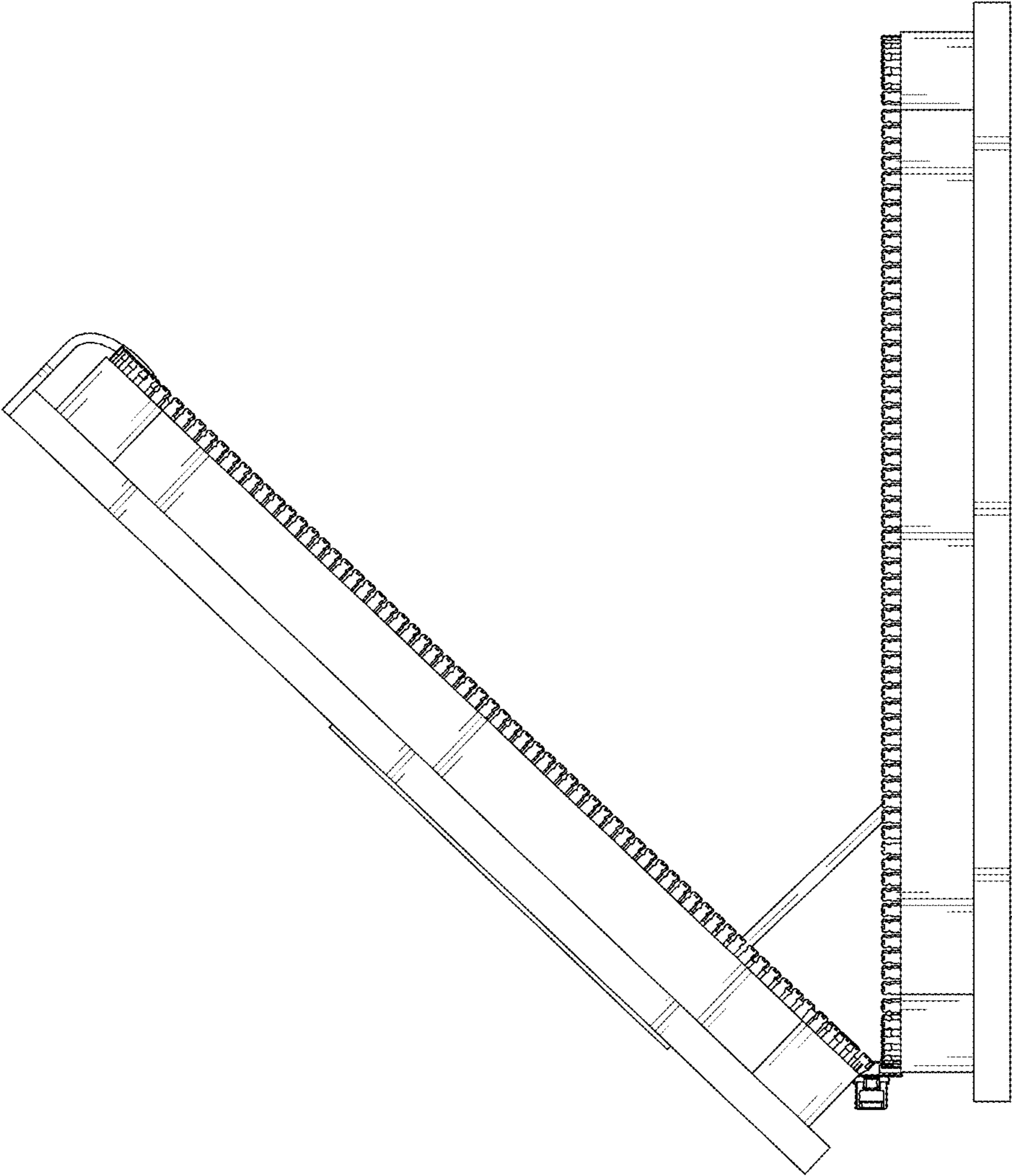


FIG. 8