



US00D856331S

(12) **United States Design Patent**
Hitch

(10) **Patent No.:** **US D856,331 S**

(45) **Date of Patent:** **** Aug. 13, 2019**

(54) **MOUTH GUARD AND DISPLAY FOR A HEADSET**

(71) Applicant: **Adam W. Hitch**, Louisville, KY (US)

(72) Inventor: **Adam W. Hitch**, Louisville, KY (US)

(**) Term: **15 Years**

(21) Appl. No.: **29/655,022**

(22) Filed: **Jun. 29, 2018**

Related U.S. Application Data

(62) Division of application No. 29/585,364, filed on Nov. 23, 2016, now Pat. No. Des. 824,904.

(51) **LOC (12) Cl.** **14-02**

(52) **U.S. Cl.**
USPC **D14/372**

(58) **Field of Classification Search**

USPC D14/372, 496, 432, 371, 125, 126, 129,
D14/299; D16/300–342; 351/158, 153,
351/144; 345/7–9, 905; 455/344;
348/115, 53, 121, 739

CPC G02B 27/017; G02B 27/0158; G02B
27/0161; G02B 27/0181; G02B 27/0185;
G02B 27/0189

See application file for complete search history.

(56) **References Cited**

U.S. PATENT DOCUMENTS

D369,595 S * 5/1996 Kober D14/372
D440,967 S * 4/2001 Jung D14/372
D687,434 S * 8/2013 Serota D14/372
D722,054 S * 2/2015 Serota D14/372
D741,326 S * 10/2015 Bosveld D14/372
D743,705 S * 11/2015 Cisler, II D6/300

(Continued)

Primary Examiner — Austin Murphy

(74) *Attorney, Agent, or Firm* — Stites & Harbison, PLLC; David W. Nagle, Jr.

(57) **CLAIM**

The ornamental design for a mouth guard and display for a headset, as shown and described.

DESCRIPTION

FIG. 1 is a perspective view of a mouth guard and display for a headset incorporating the design of the present invention;

FIG. 2 is a front view of the mouth guard and display of FIG. 1;

FIG. 3 is a rear view of the mouth guard and display of FIG. 1;

FIG. 4 is a left side view of the mouth guard and display of FIG. 1;

FIG. 5 is a right side view of the mouth guard and display of FIG. 1;

FIG. 6 is a top view of the mouth guard and display of FIG. 1;

FIG. 7 is a bottom view of the mouth guard and display of FIG. 1;

FIG. 8 is a perspective view of an alternate mouth guard and display for a headset incorporating the design of the present invention;

FIG. 9 is a front view of the mouth guard and display of FIG. 8;

FIG. 10 is a rear view of the mouth guard and display of FIG. 8;

FIG. 11 is a left side view of the mouth guard and display of FIG. 8;

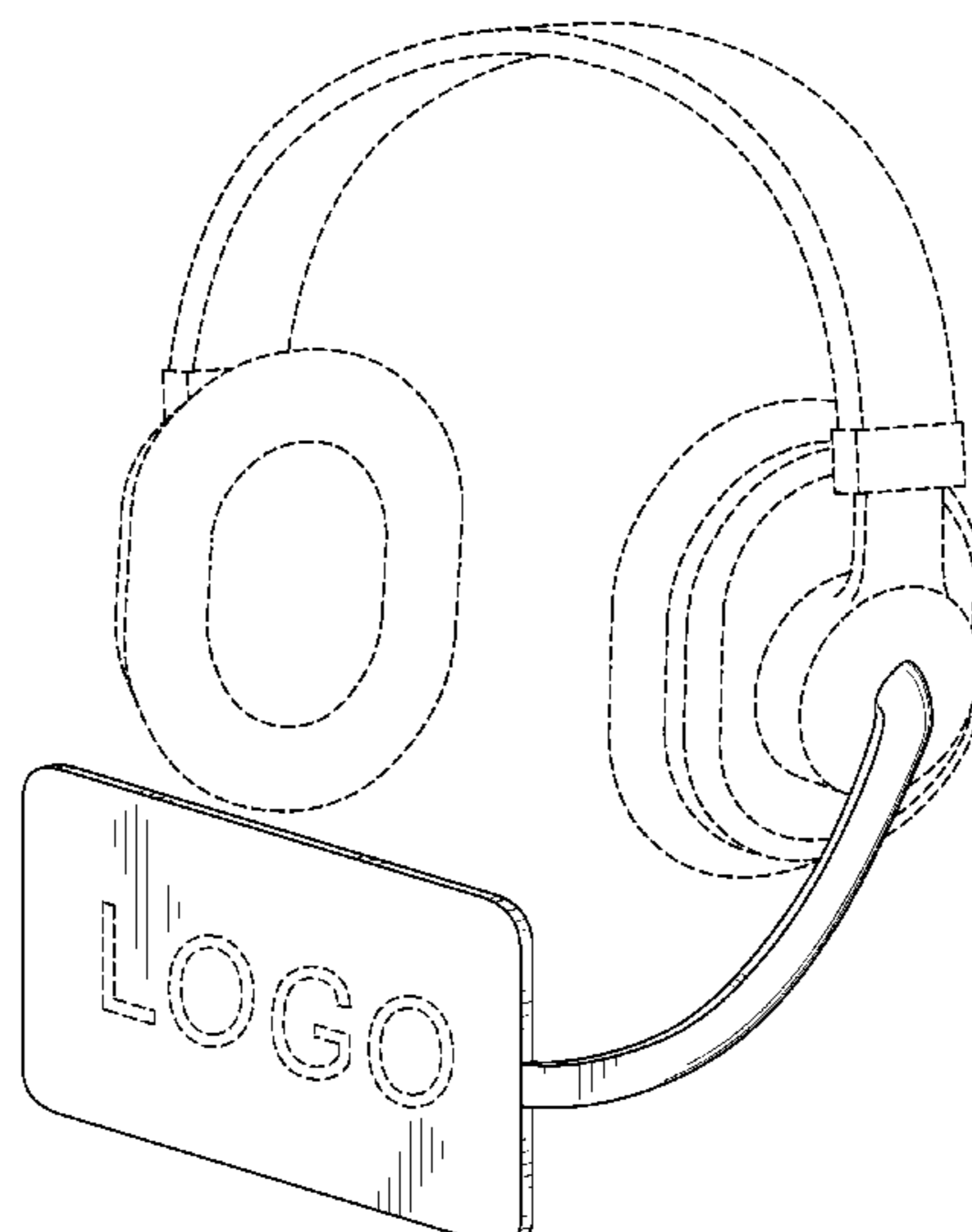
FIG. 12 is a right side view of the mouth guard and display of FIG. 8;

FIG. 13 is a top view of the mouth guard and display of FIG. 8; and,

FIG. 14 is a bottom view of the mouth guard and display of FIG. 8.

The broken lines shown in the drawings are for illustrative purposes only and form no part of the claimed design.

1 Claim, 8 Drawing Sheets



(56)

References Cited

U.S. PATENT DOCUMENTS

D750,074	S *	2/2016	Coz	D14/372
D752,680	S *	3/2016	Kim	D14/372
D758,367	S *	6/2016	Natsume	D14/372
D764,465	S *	8/2016	Clement	D14/372
D765,074	S *	8/2016	Katopis	D14/372
D766,896	S *	9/2016	Li	D14/372
D776,111	S *	1/2017	Baldassi	D14/372
D792,398	S *	7/2017	Costa	D14/372
D805,514	S *	12/2017	Clement	D14/372
D824,904	S *	8/2018	Hitch	D14/372
D835,102	S *	12/2018	Raffle	D14/372
D843,374	S *	3/2019	Nieto	D14/372
2010/0287676	A1 *	11/2010	Seo	A61F 9/061 2/8.2
2012/0005811	A1 *	1/2012	McCrary	A61F 9/029 2/439
2013/0237146	A1 *	9/2013	Serota	G02B 27/017 455/12.1
2014/0152531	A1 *	6/2014	Murray	G06F 1/1632 345/8
2014/0182754	A1 *	7/2014	Young	A45F 5/02 150/154

* cited by examiner



FIG. 1

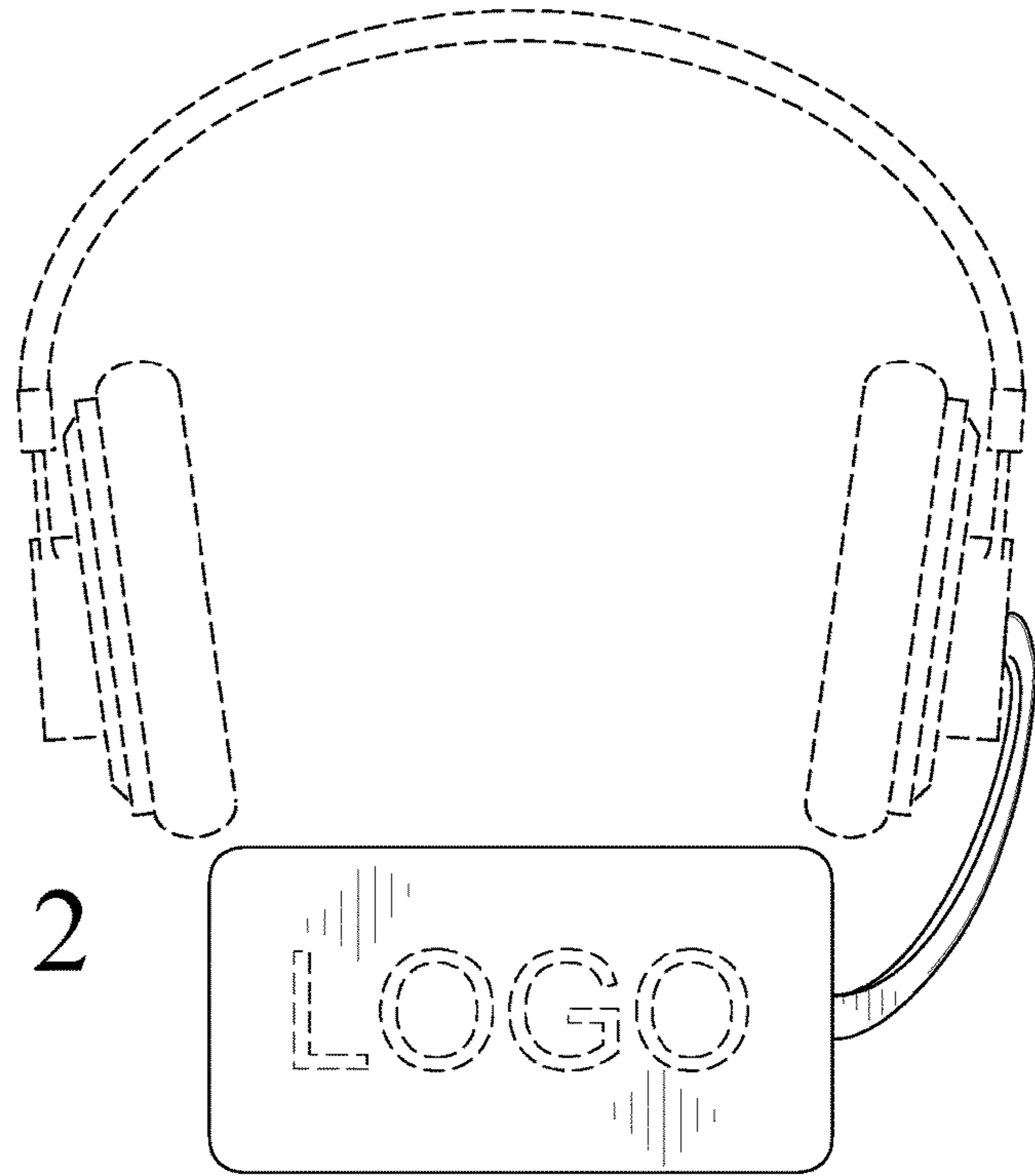


FIG. 2

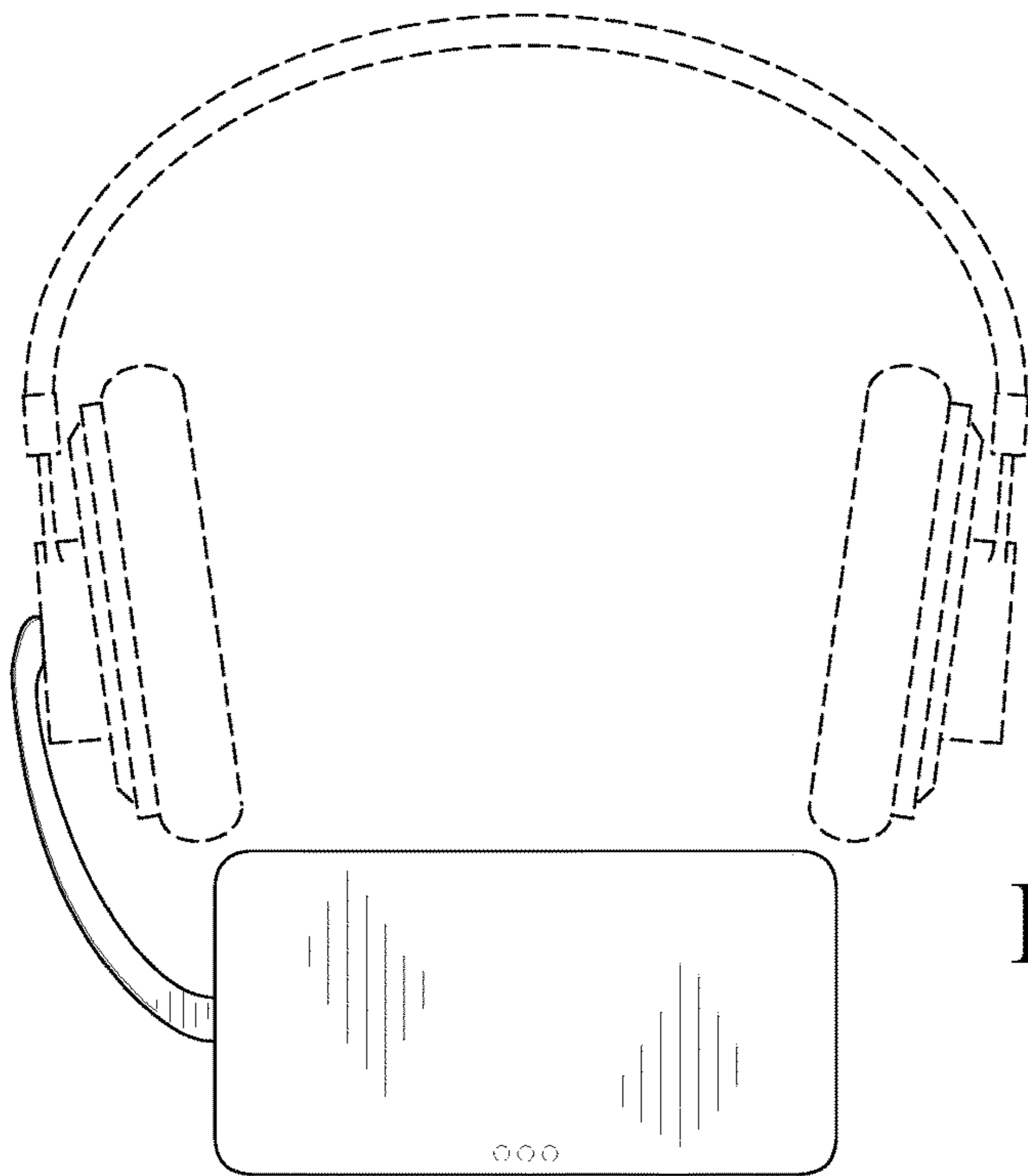


FIG. 3

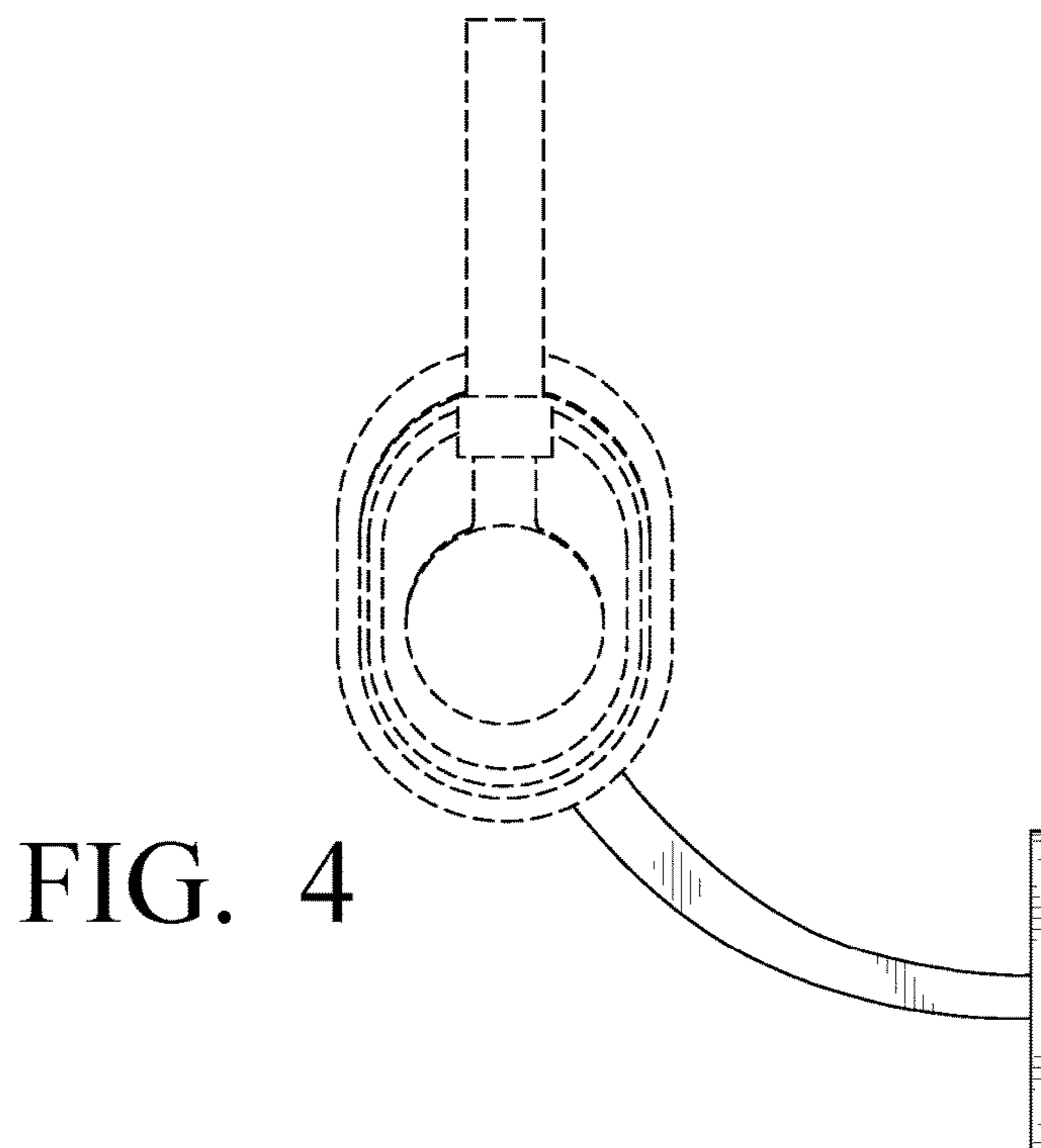


FIG. 4

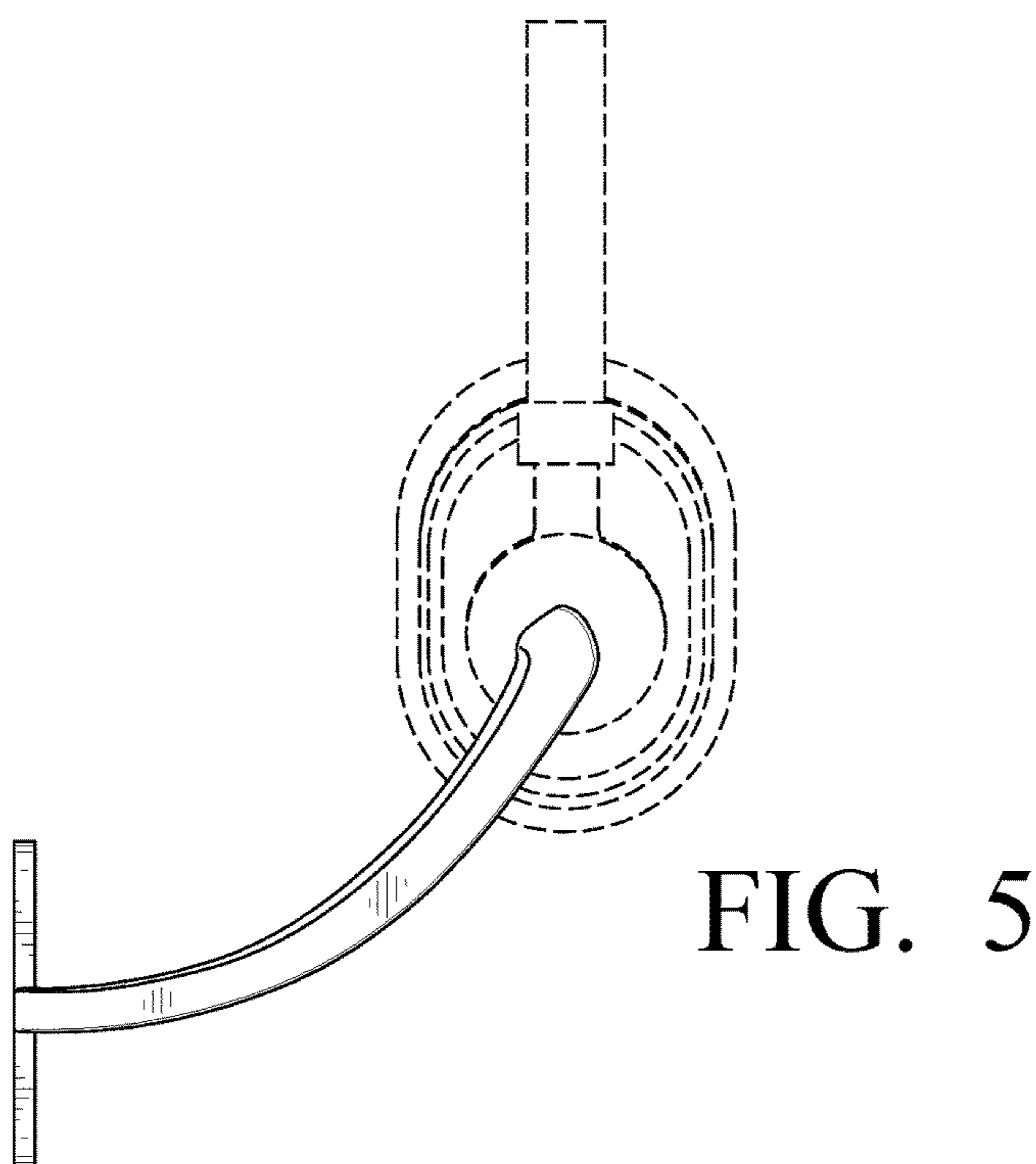


FIG. 5

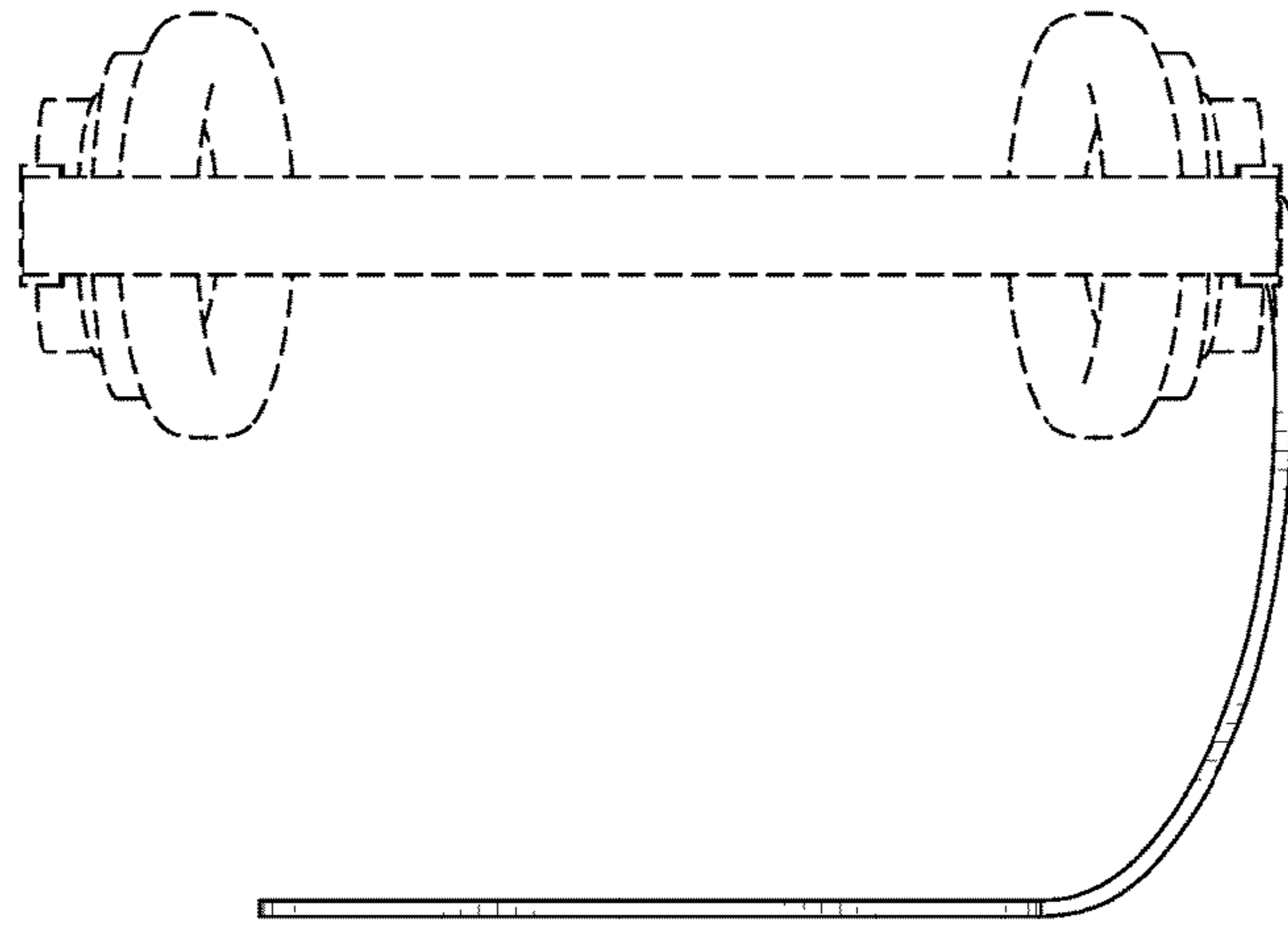


FIG. 6

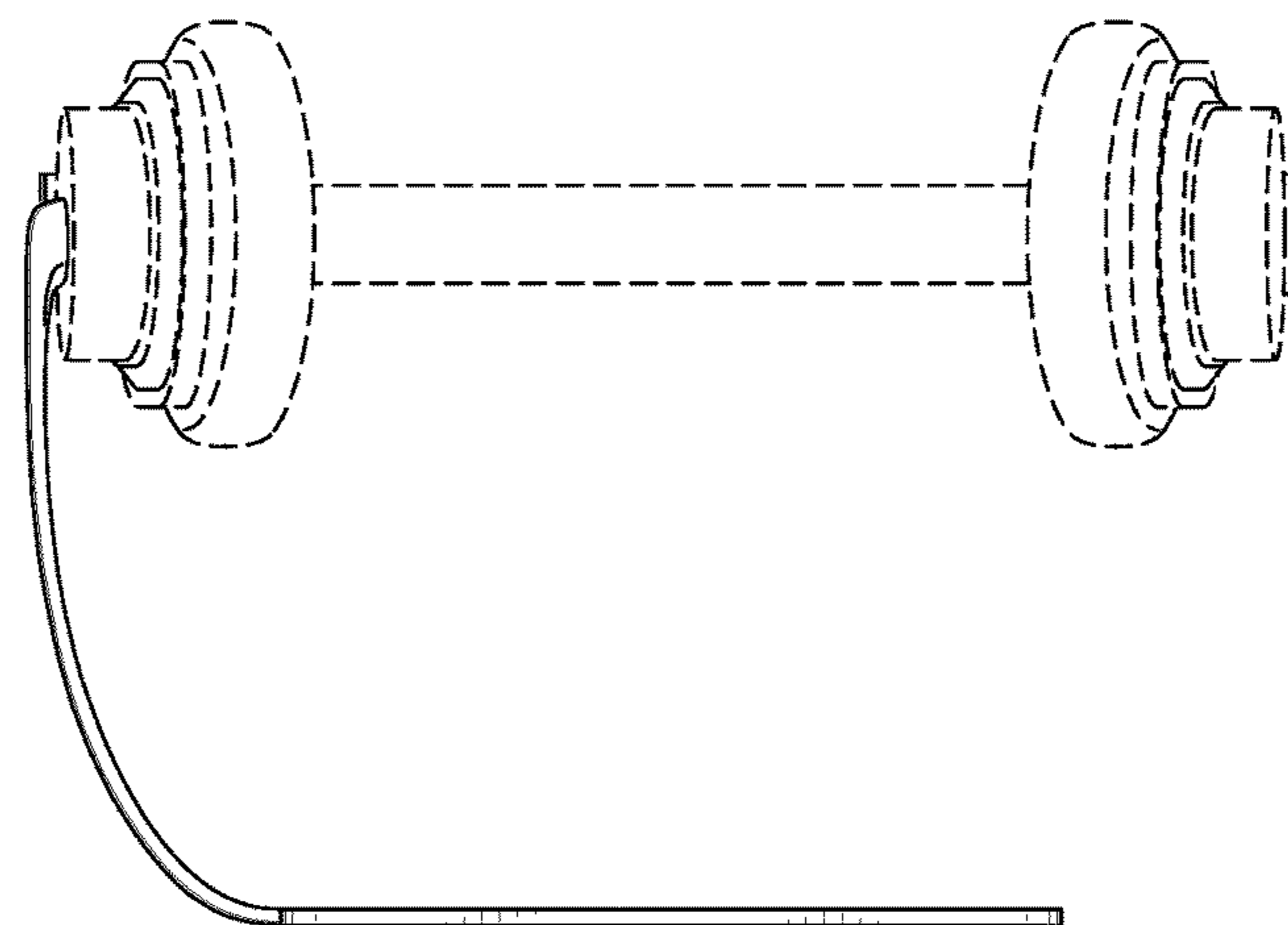


FIG. 7

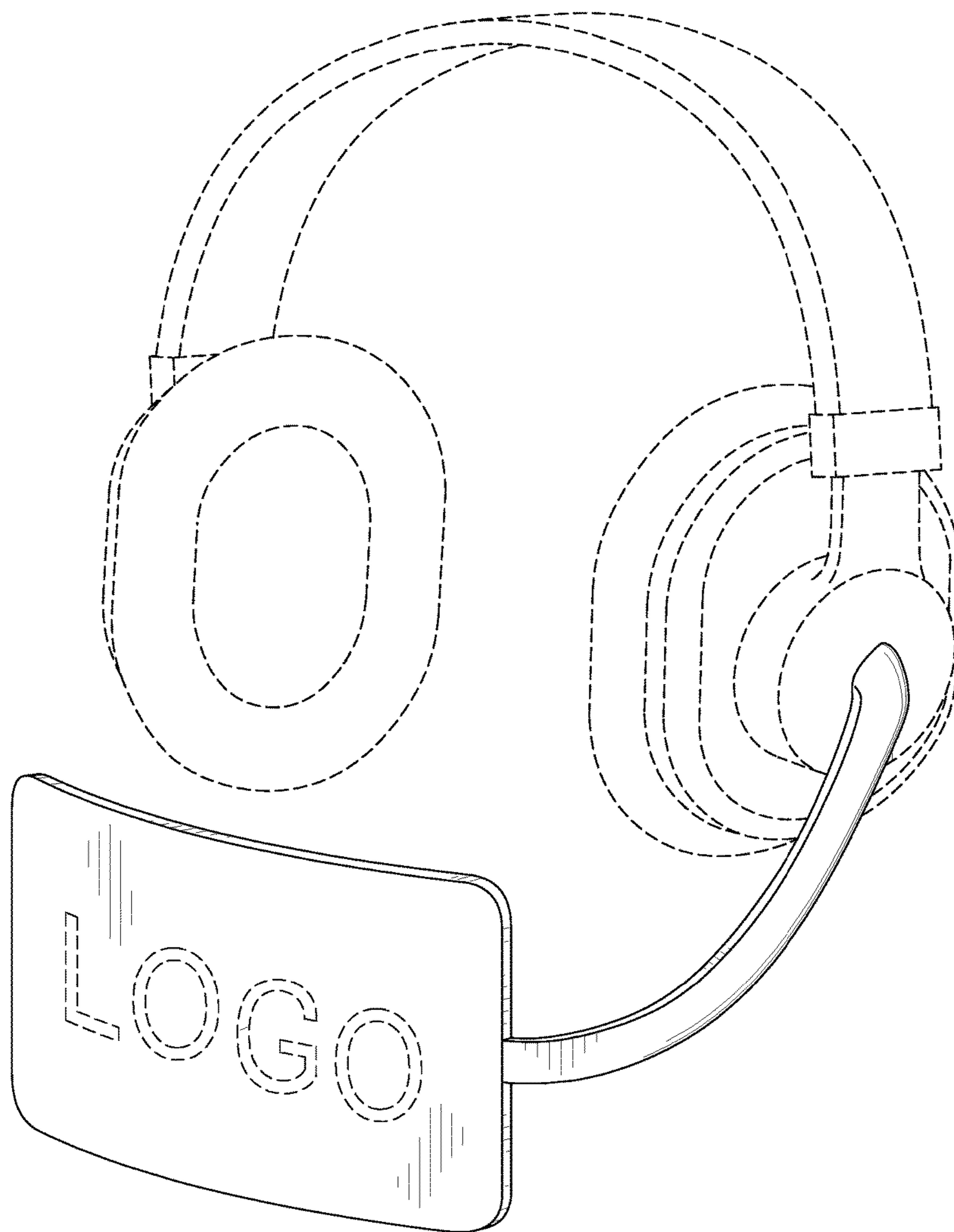


FIG. 8

FIG. 9

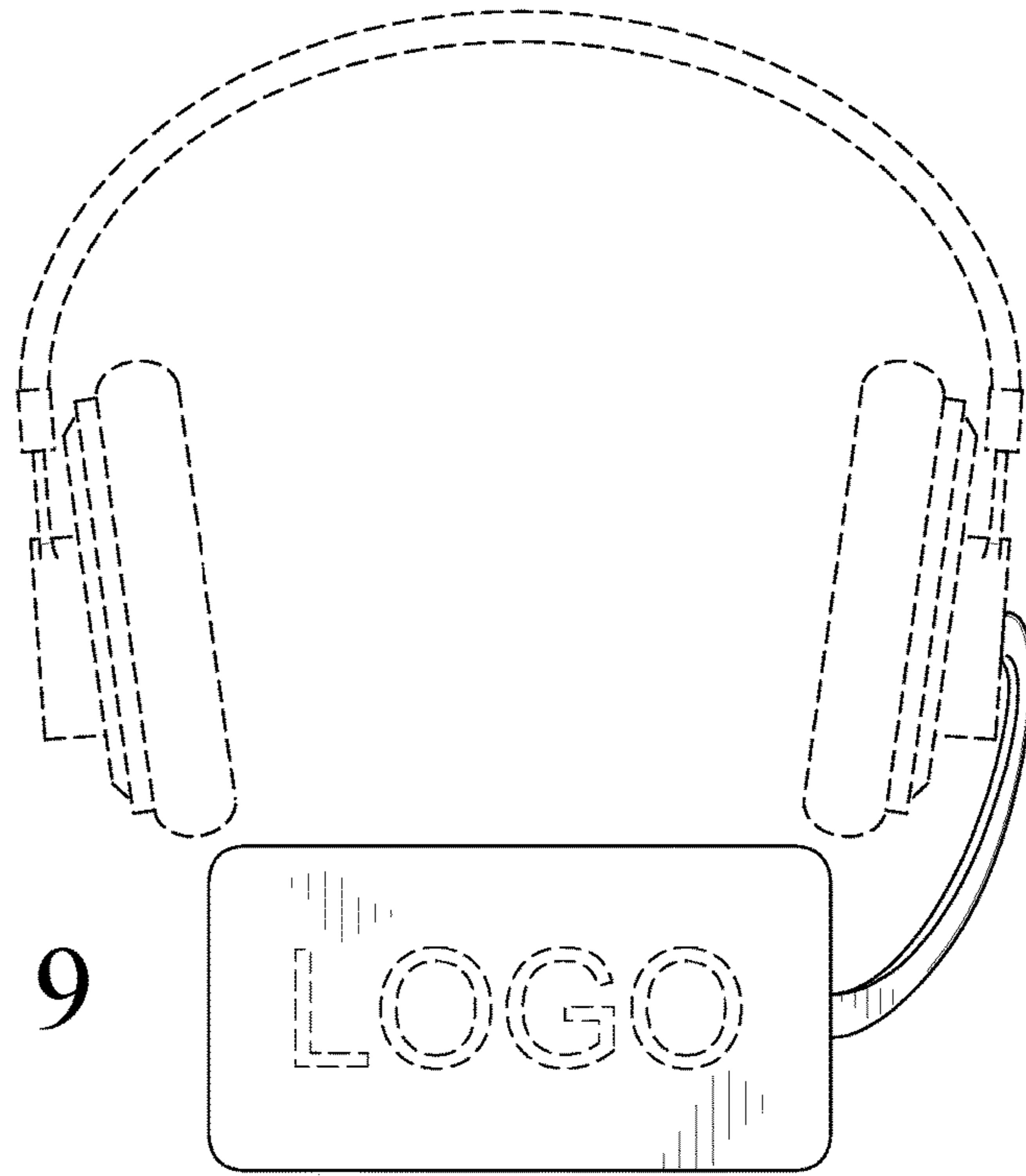


FIG. 10

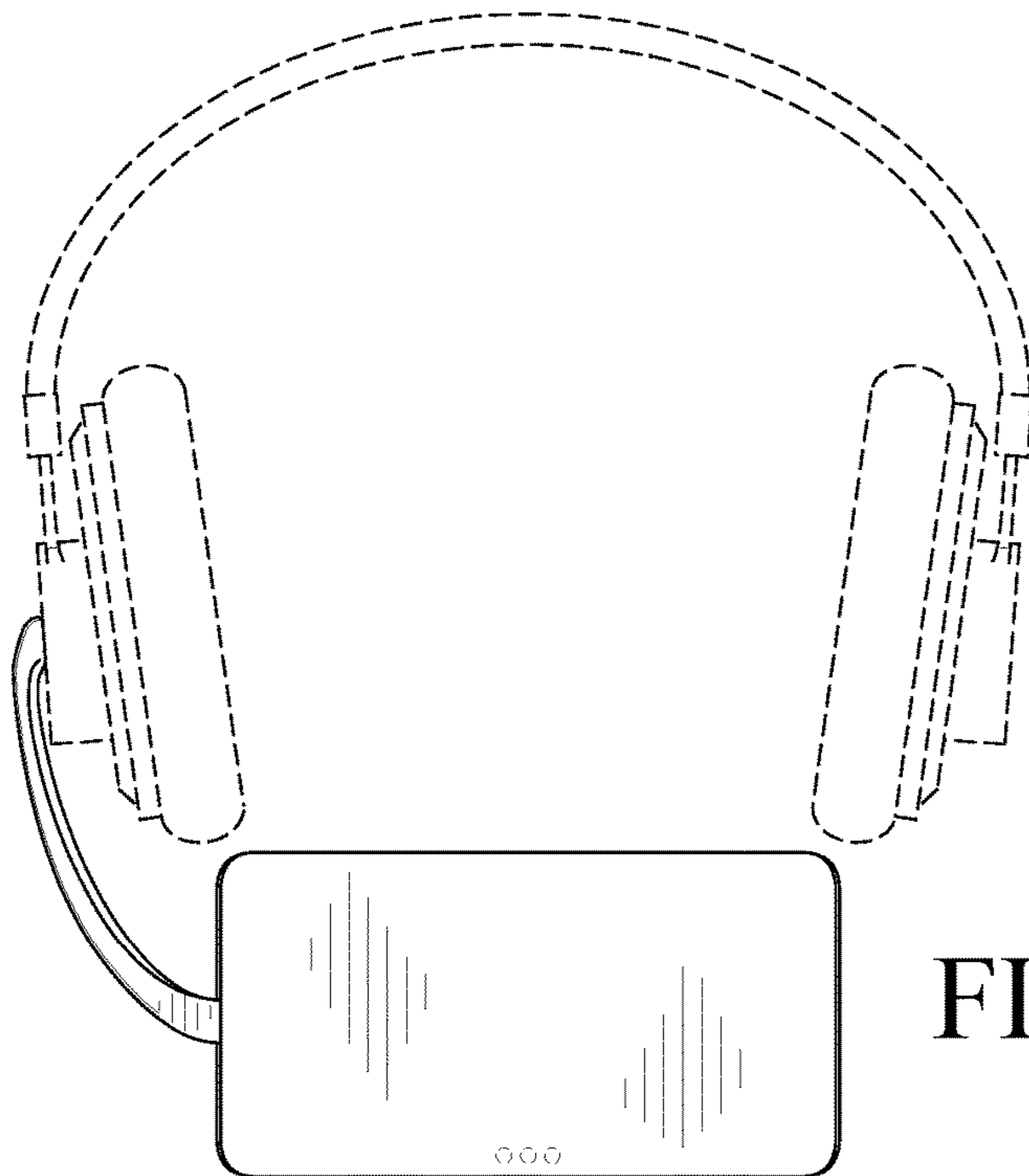


FIG. 11

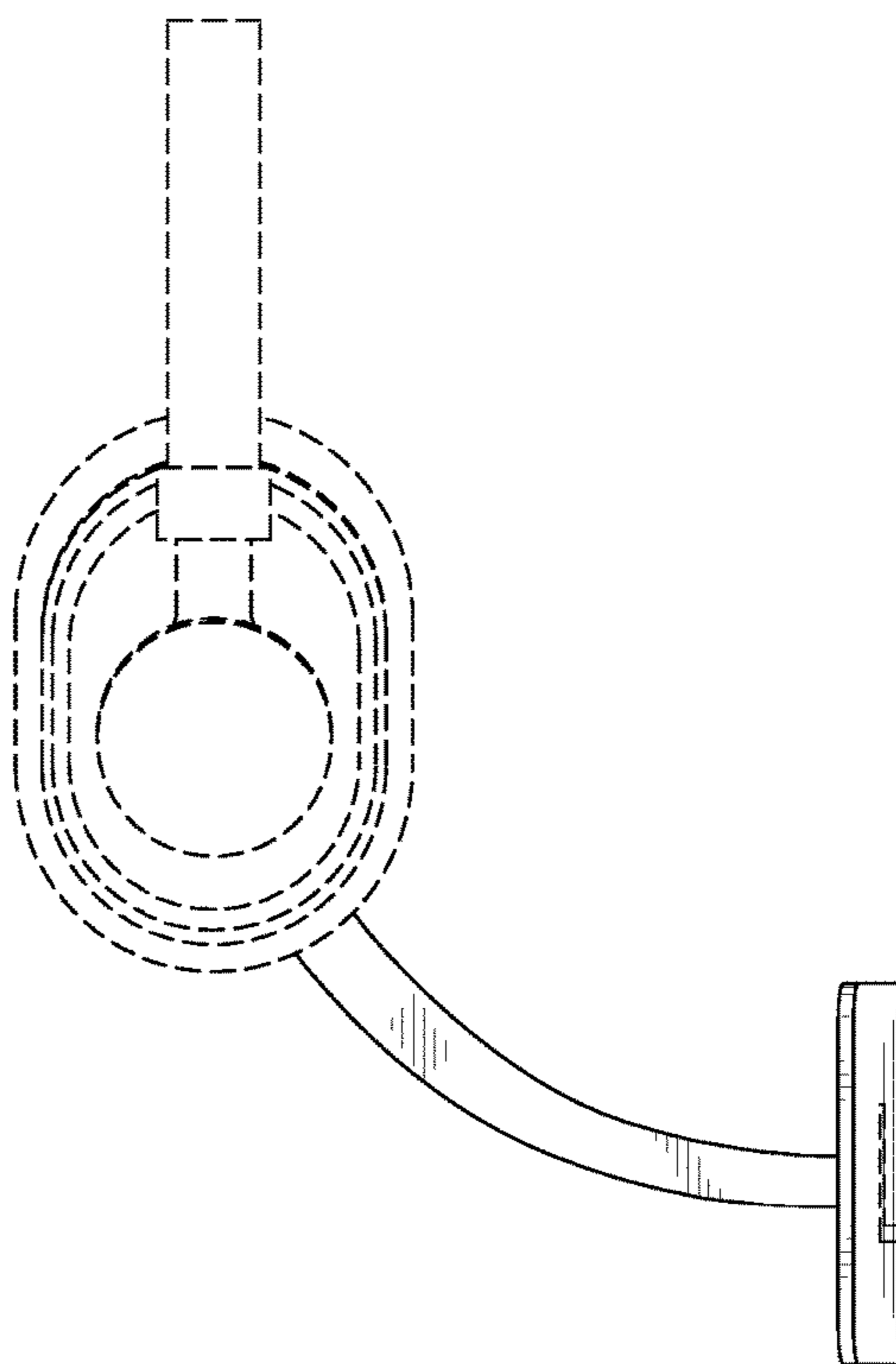
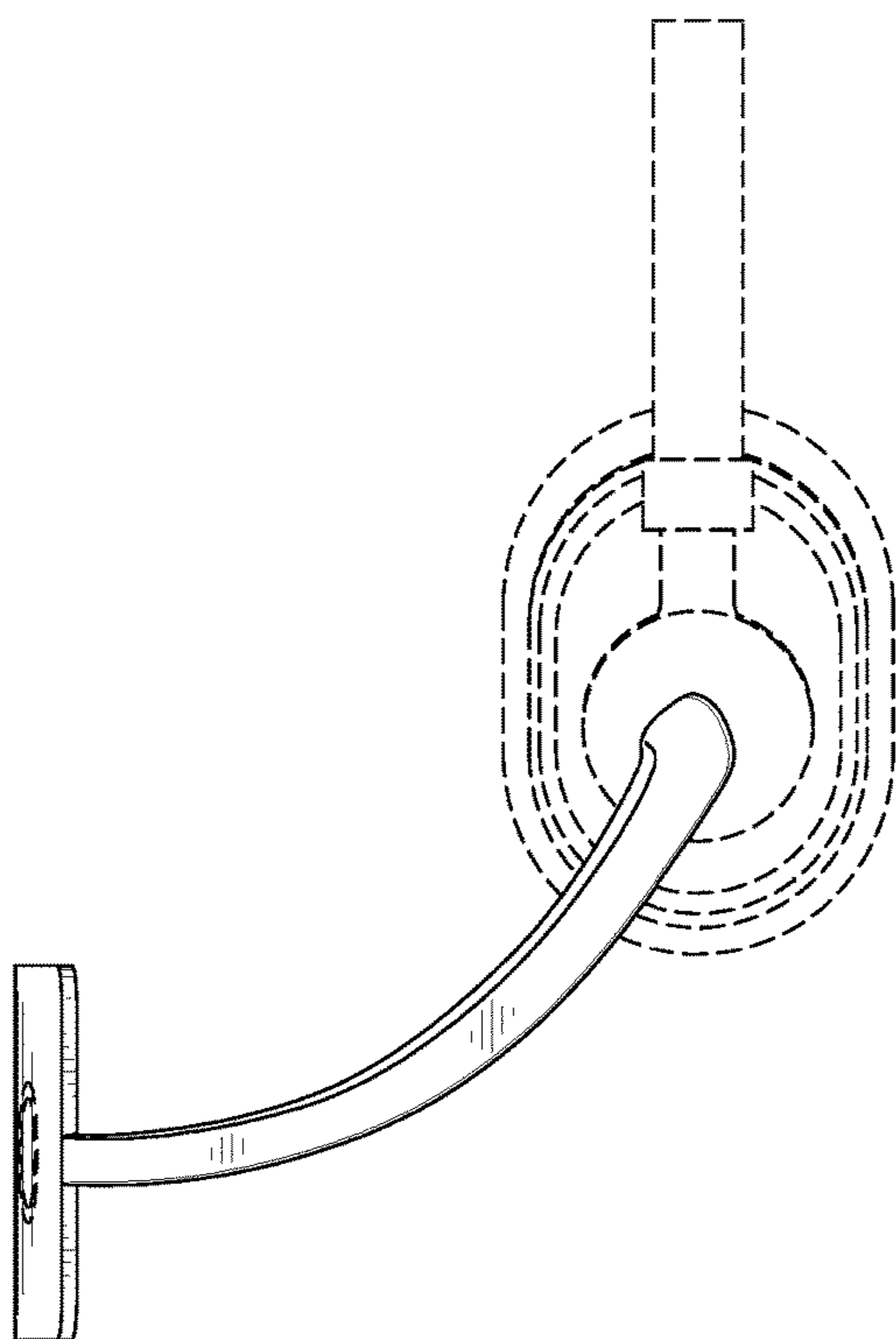


FIG. 12



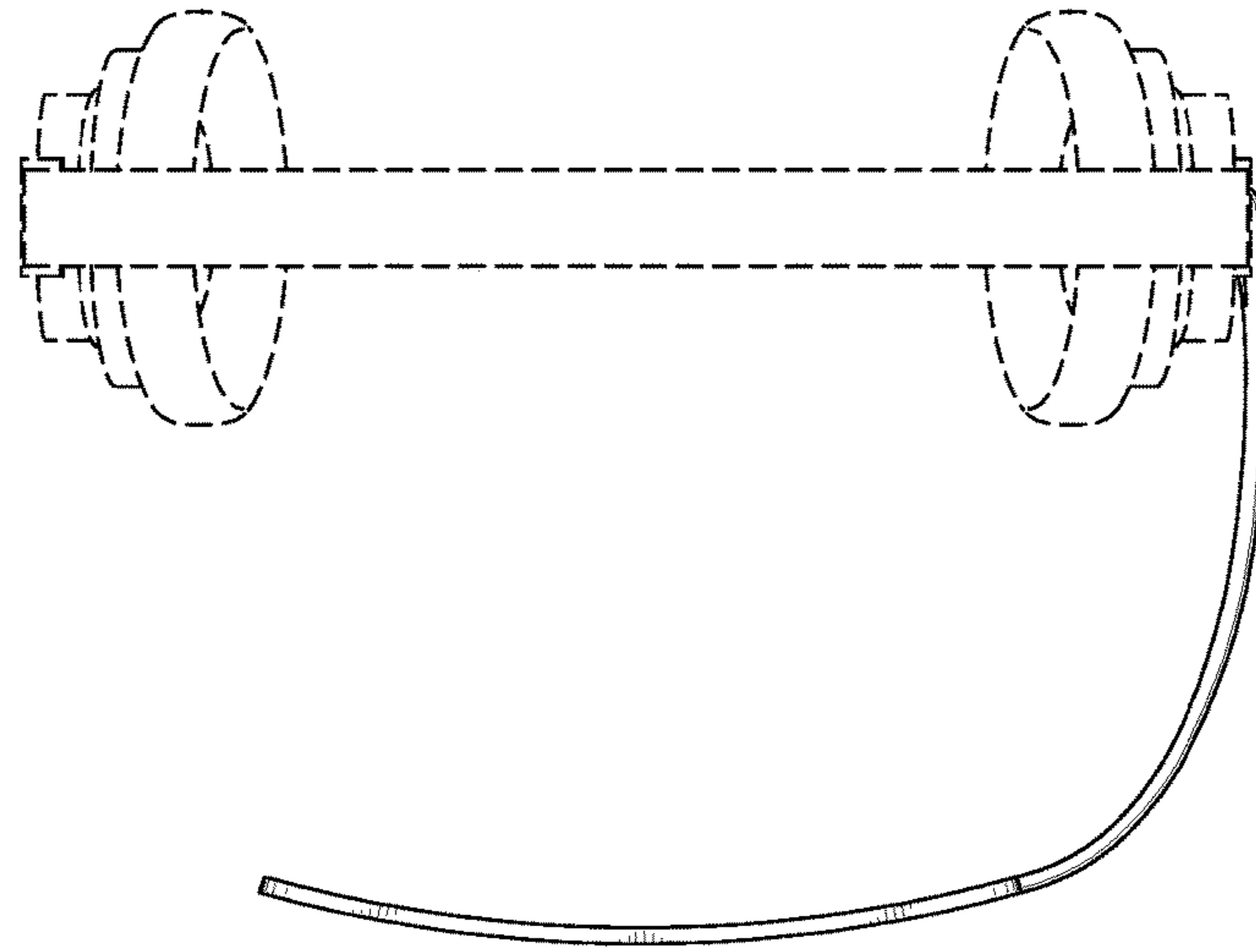


FIG. 13

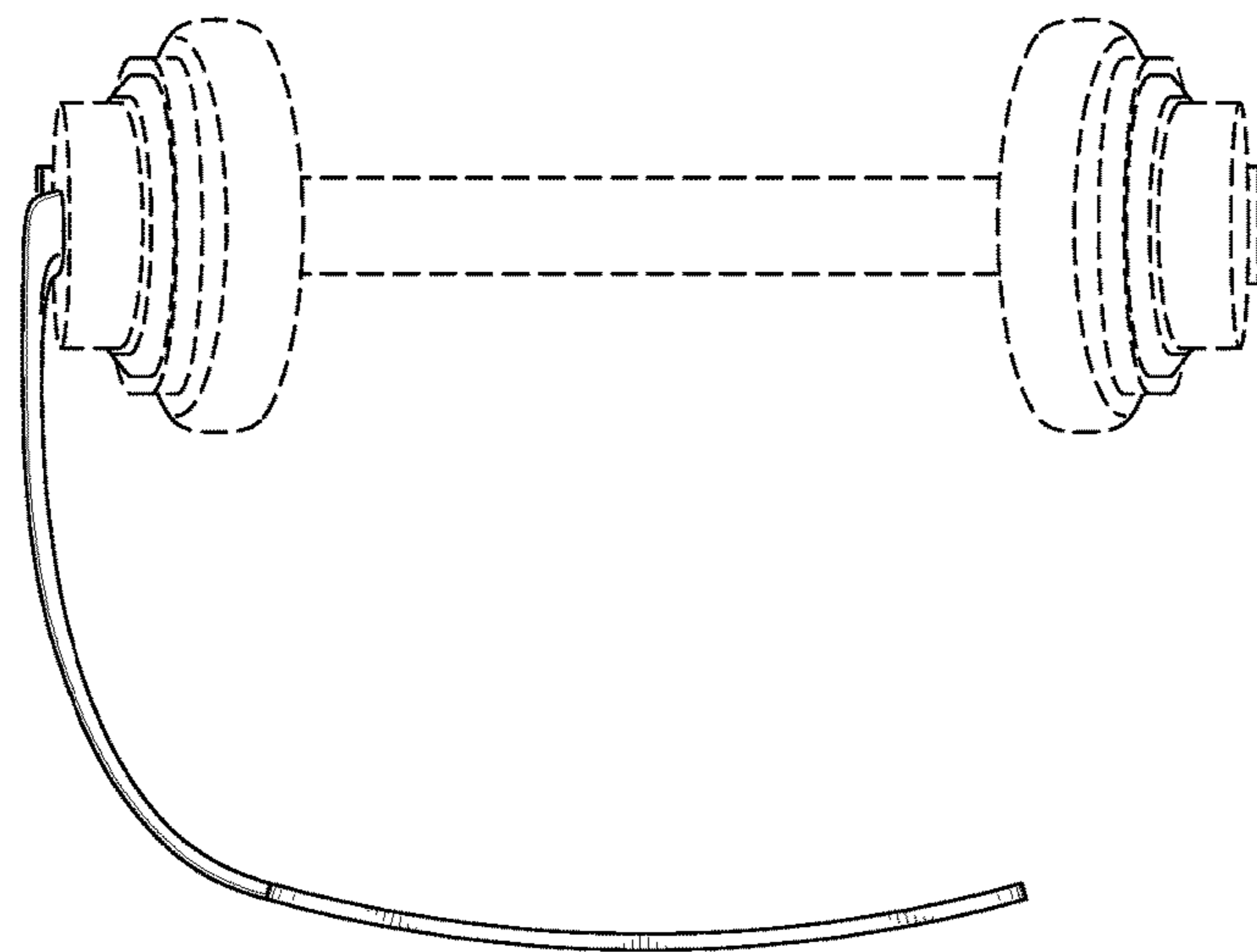


FIG. 14