



US00D856330S

(12) **United States Design Patent**  
**Wei et al.**

(10) **Patent No.:** **US D856,330 S**

(45) **Date of Patent:** **\*\* Aug. 13, 2019**

(54) **DISPLAY DEVICE**

(71) Applicant: **HTC Corporation**, Taoyuan (TW)

(72) Inventors: **Chang-Hua Wei**, Taoyuan (TW);  
**Shih-Hsiu Lee**, Taoyuan (TW);  
**Yu-Chuan Chang**, Taoyuan (TW)

(73) Assignee: **HTC CORPORATION**, Taoyuan (TW)

(\*\*) Term: **15 Years**

(21) Appl. No.: **29/631,267**

(22) Filed: **Dec. 28, 2017**

(51) **LOC (12) Cl.** ..... **14-02**

(52) **U.S. Cl.**  
USPC ..... **D14/372**

(58) **Field of Classification Search**  
USPC ..... D14/372, 496, 432, 371, 125, 126, 129,  
D14/299; D16/300–342; 351/158, 153,  
351/144; 345/7–9, 905; 455/344;  
348/115, 53, 121, 739  
CPC ..... G02B 27/017; G02B 27/0158; G02B  
27/0161; G02B 27/0181; G02B 27/0185;  
G02B 27/0189

See application file for complete search history.

(56) **References Cited**

**U.S. PATENT DOCUMENTS**

D810,743 S \* 2/2018 Yee ..... D14/372  
D815,637 S \* 4/2018 Li ..... D14/372

D819,634 S \* 6/2018 Pang ..... D14/372  
D819,635 S \* 6/2018 Miller ..... D14/372  
D819,636 S \* 6/2018 Chen ..... D14/372  
D822,659 S \* 7/2018 Spio ..... D14/372  
D827,642 S \* 9/2018 Liu ..... D14/372  
D829,208 S \* 9/2018 Dallmeyer ..... D14/372  
D831,029 S \* 10/2018 Gu ..... D14/372

\* cited by examiner

*Primary Examiner* — Austin Murphy

(74) *Attorney, Agent, or Firm* — Birch, Stewart, Kolasch  
& Birch, LLP

(57) **CLAIM**

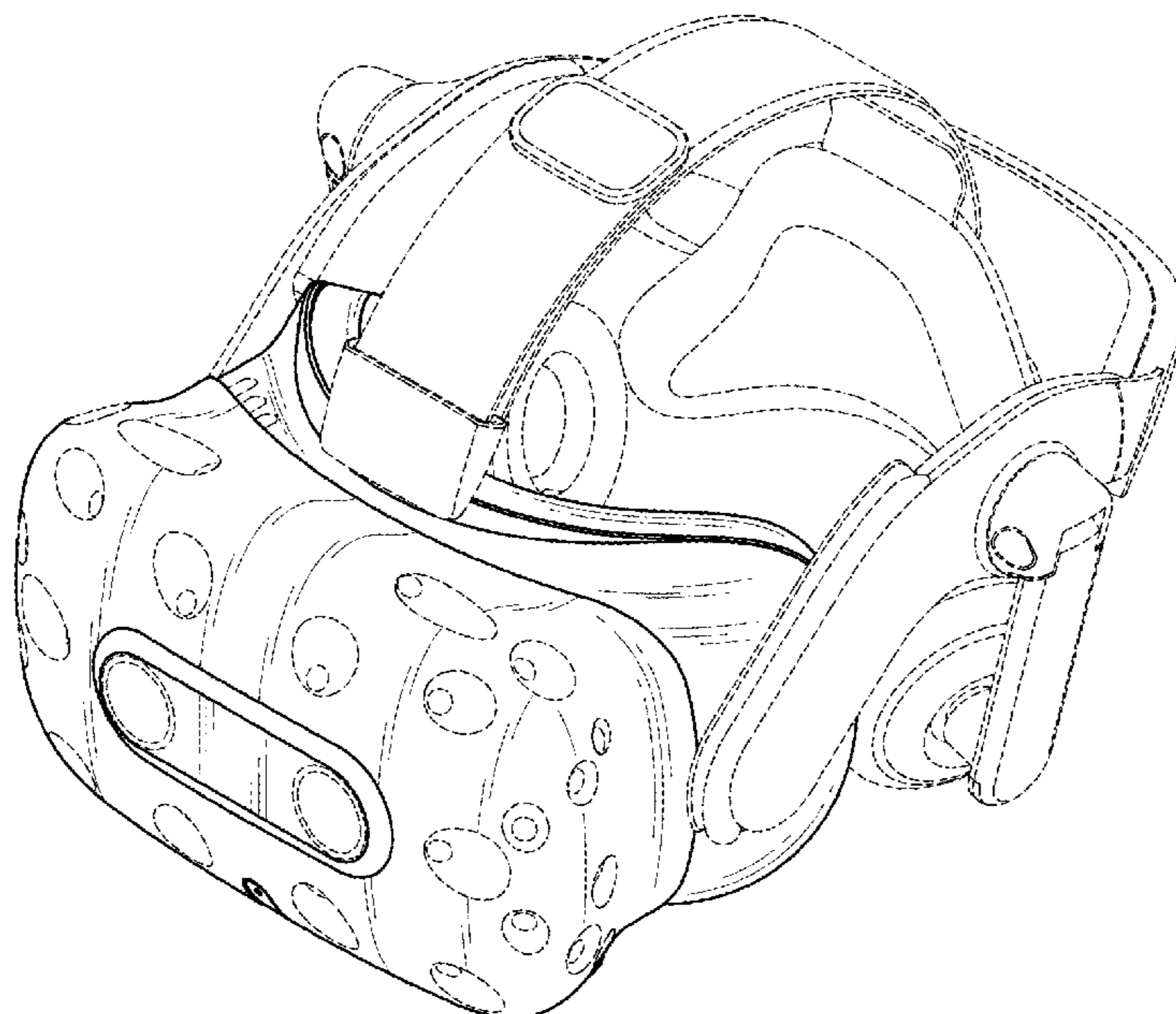
The ornamental design for display device, as shown and described.

**DESCRIPTION**

FIGS. 1-8 are top perspective view, front view, rear view, left view, right view, top plan view, bottom plan view, and bottom perspective view of a display device, such as a head mounted display, a virtual reality display, an augmented reality display, or a mixed reality display, in accordance with our new design.

The broken lines immediately adjacent the claimed areas represent the bounds of the claimed design while all other broken lines are directed to environment and are for illustrative purposes only. The broken lines form no part of the claimed design.

**1 Claim, 6 Drawing Sheets**



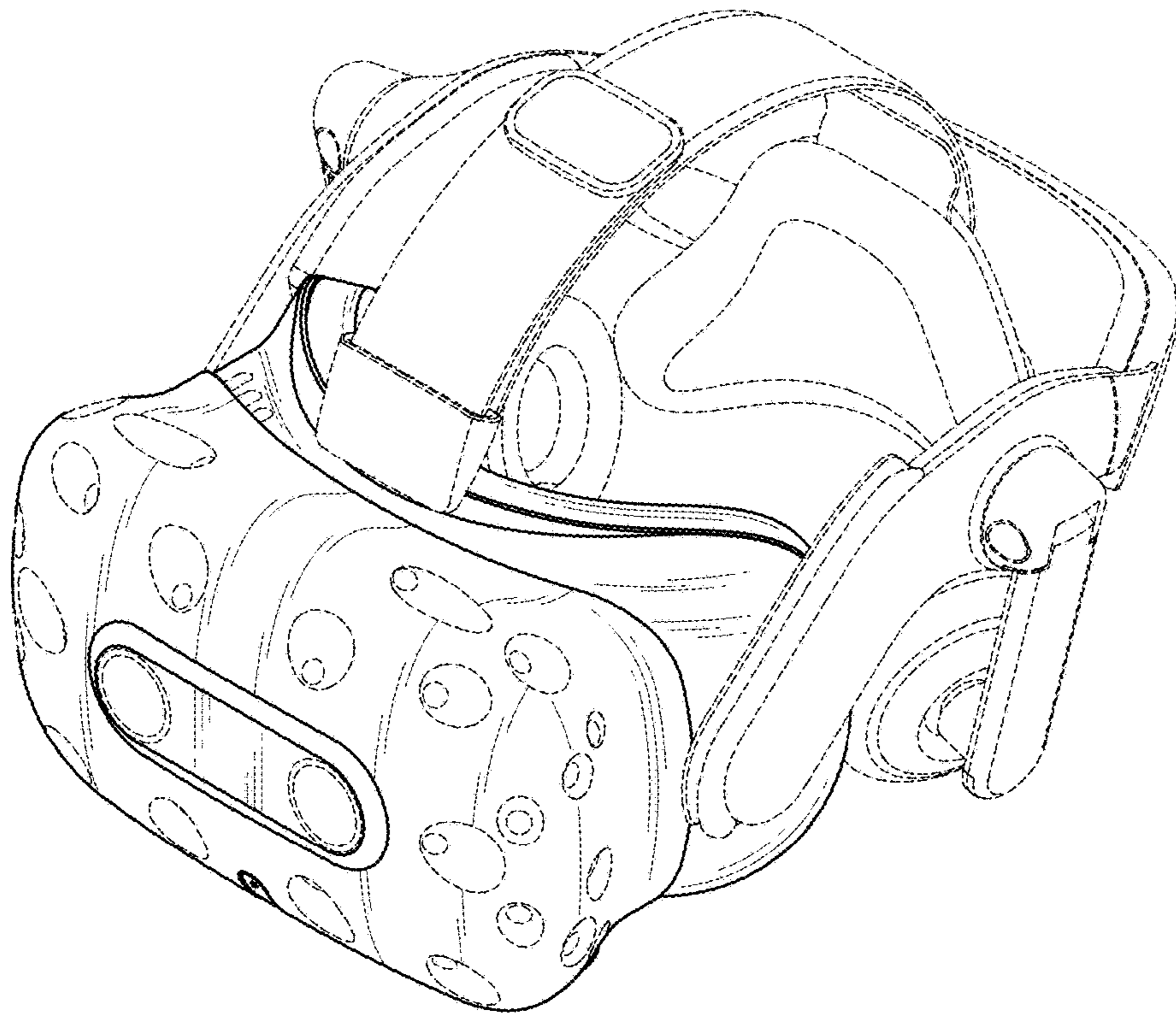


FIG. 1

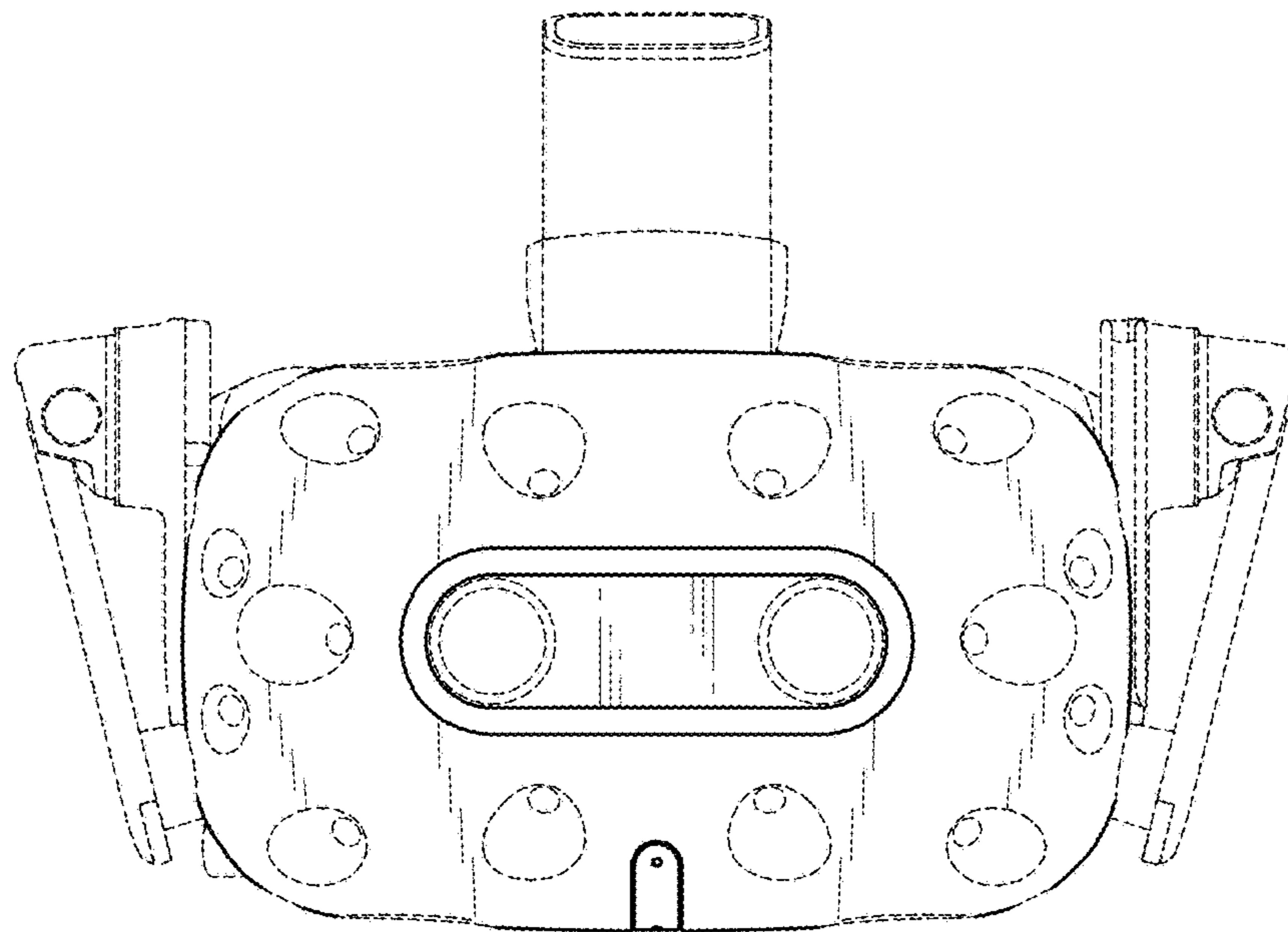


FIG. 2

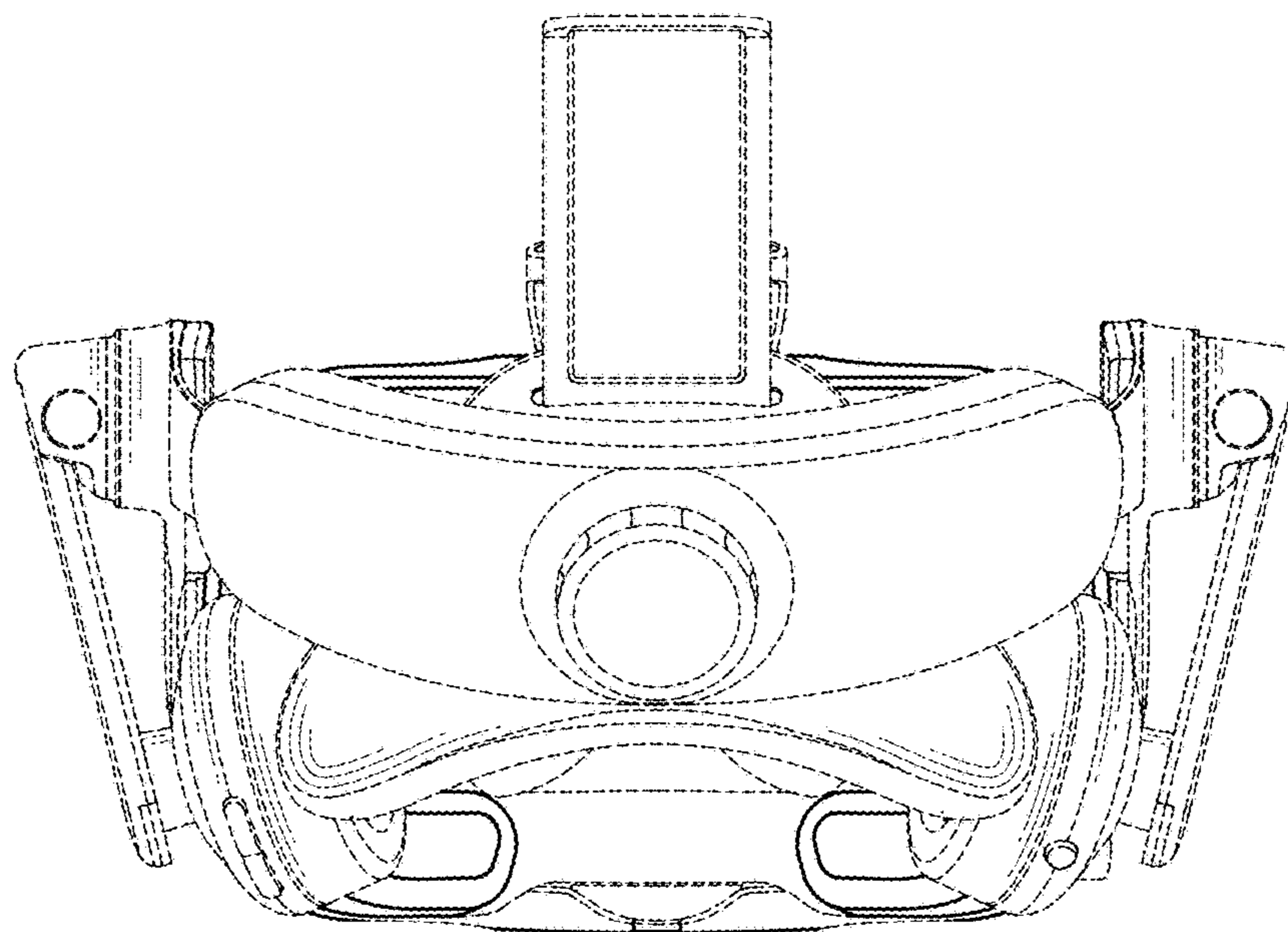


FIG. 3



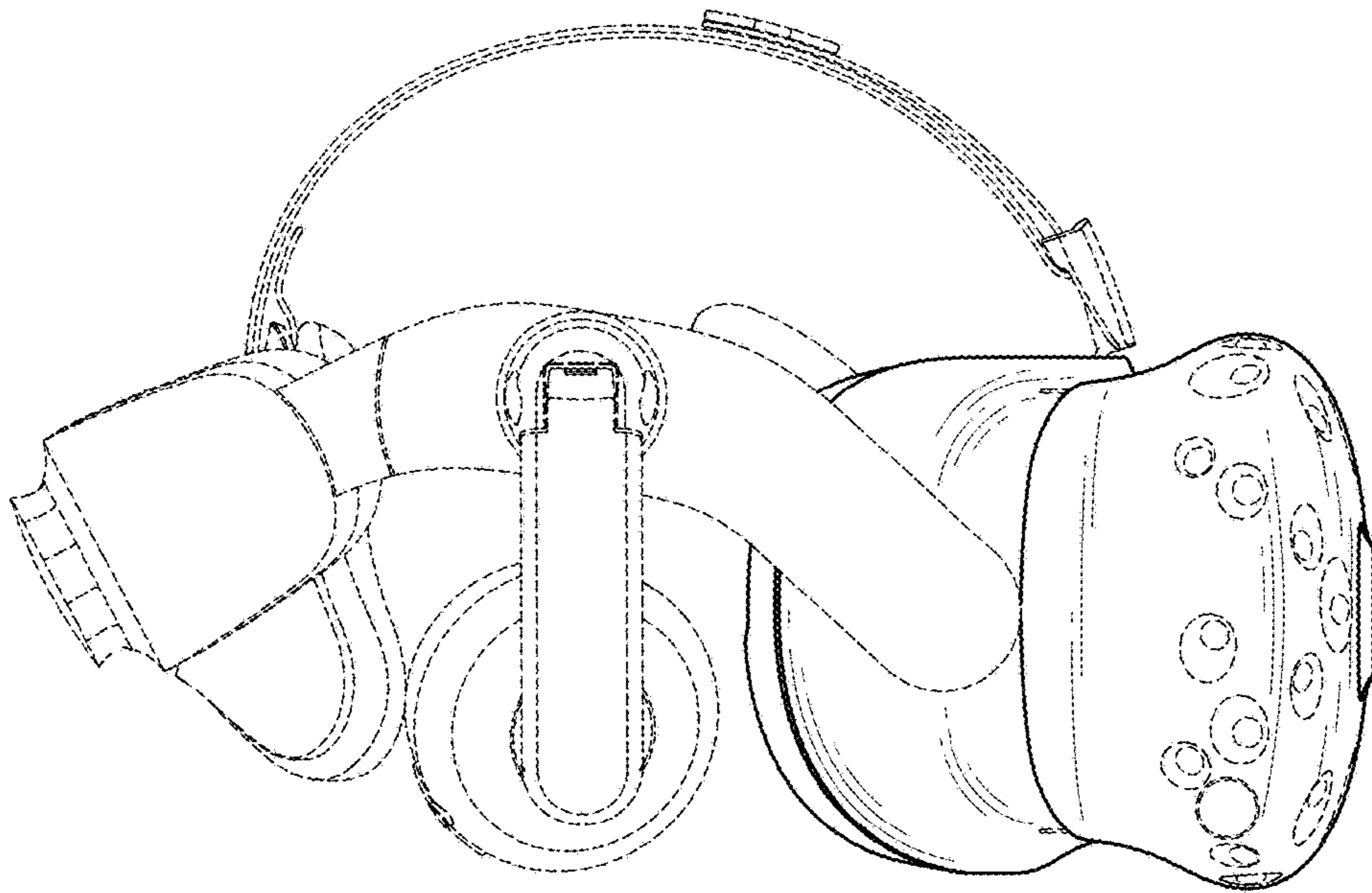


FIG. 4

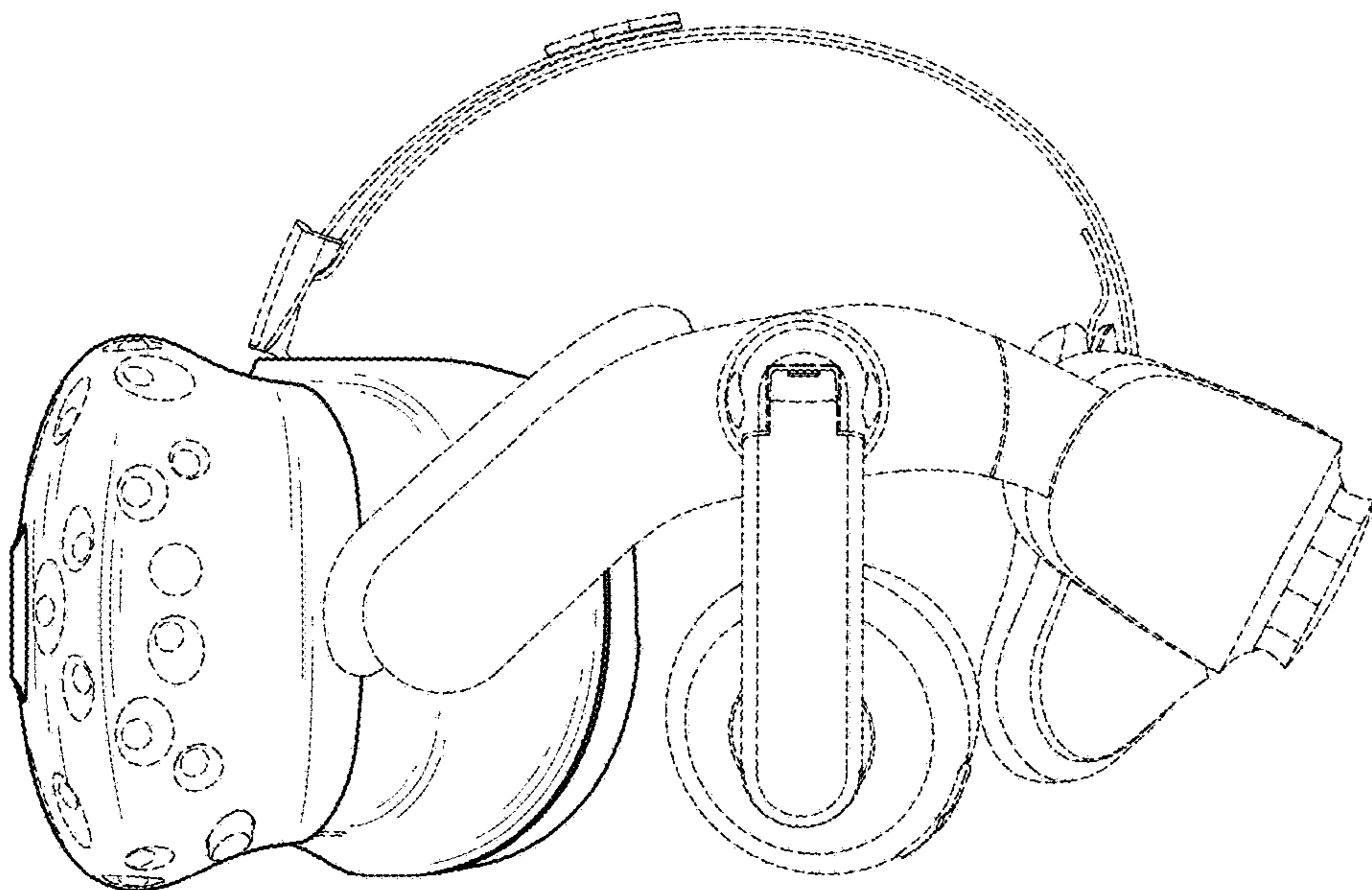


FIG. 5

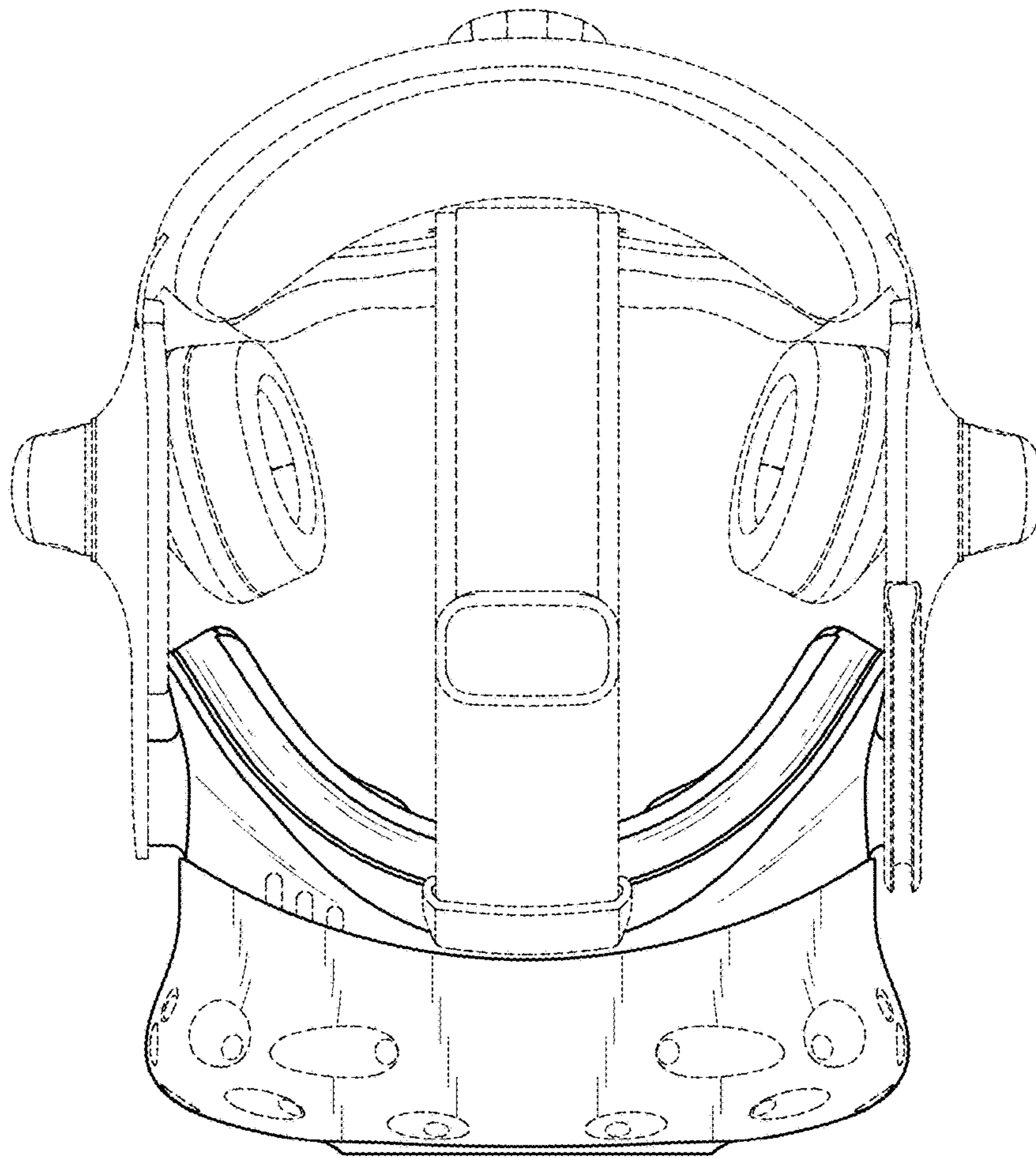


FIG. 6

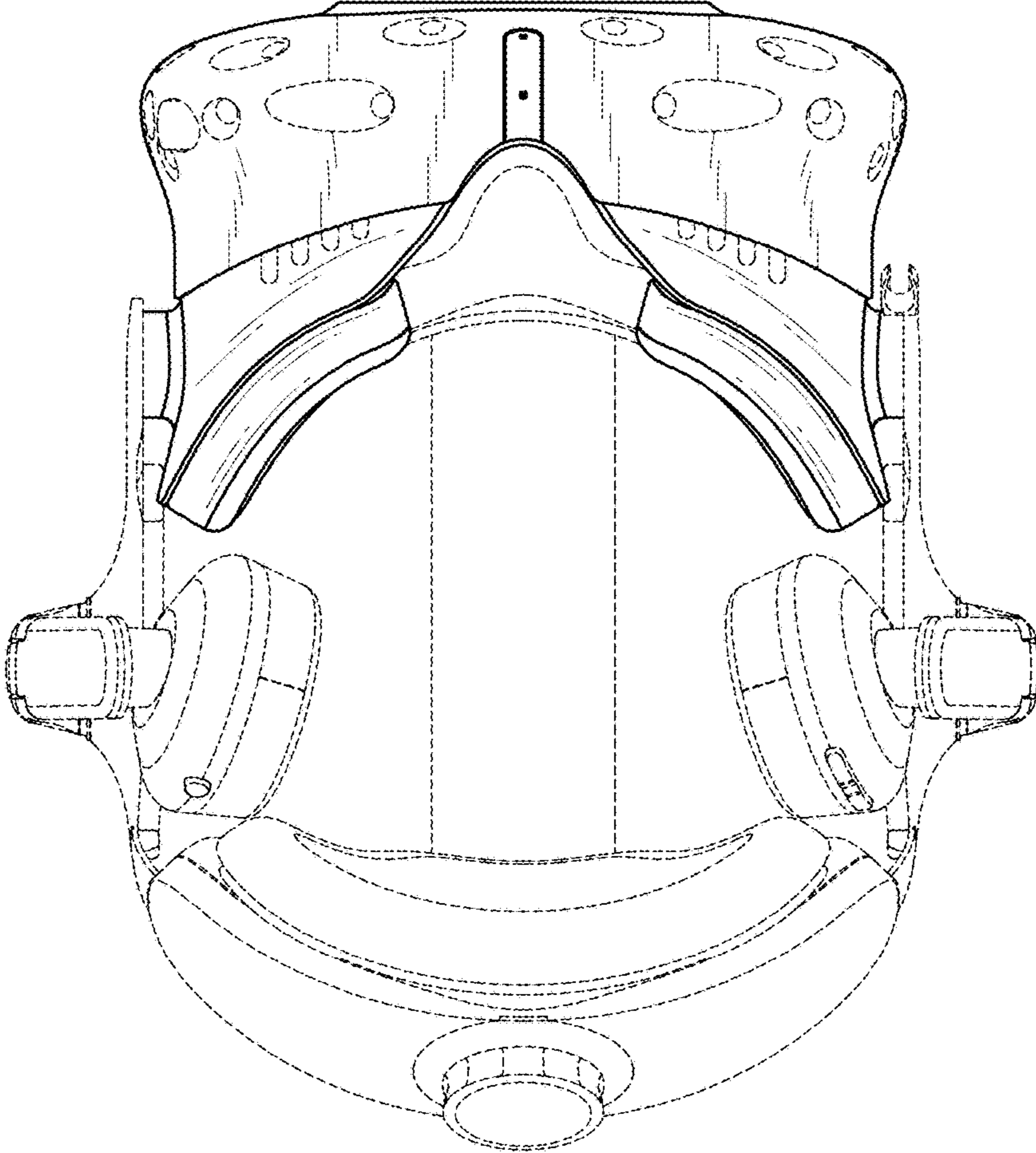


FIG. 7

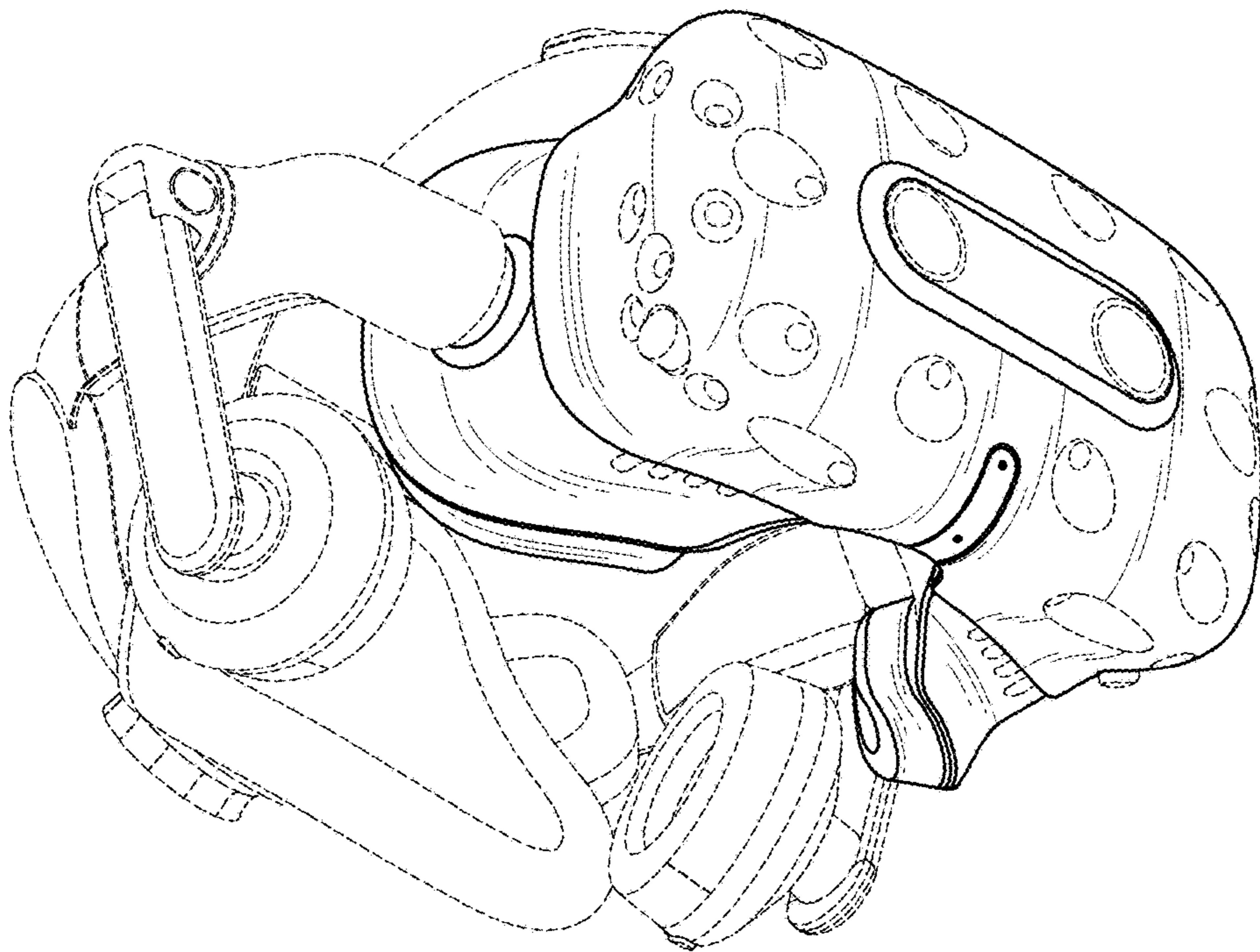


FIG. 8