



US00D856327S

(12) **United States Design Patent**
Huang

(10) **Patent No.:** **US D856,327 S**

(45) **Date of Patent:** **** Aug. 13, 2019**

(54) **MOBILE DRIVE**

(71) Applicant: **Xuepeng Huang**, Guangdong (CN)

(72) Inventor: **Xuepeng Huang**, Guangdong (CN)

(**) Term: **15 Years**

(21) Appl. No.: **29/636,762**

(22) Filed: **Feb. 12, 2018**

(51) **LOC (12) Cl.** **14-02**

(52) **U.S. Cl.**

USPC **D14/365**

(58) **Field of Classification Search**

USPC D14/300–302, 314, 348–370, 383–385,
D14/435, 496, 125, 135, 155, 240–242,
D14/299, 474, 480, 203.1, 203.3, 203.4,
D14/432, 433, 436, 440, 250, 498, 500,
D14/502, 217, 218, 321; D13/103, 107,
D13/108, 110, 119, 158, 162, 184, 199,
D13/168; D3/276, 294; D10/46, 49, 75,
D10/104.1

CPC ... G11B 33/027; G11B 33/122; G11B 33/124;
G11B 33/00; G11B 33/02; G11B 33/022;
G11B 33/025; G11B 33/128; G11B
25/043; H05K 5/00; H05K 5/0213; H05K
7/00; H05K 7/1427

See application file for complete search history.

(56) **References Cited**

U.S. PATENT DOCUMENTS

D313,596 S	*	1/1991	Tsuboi	D14/168
D376,367 S	*	12/1996	Mailandt	D14/230
D437,851 S	*	2/2001	Kojima	D14/385
D483,353 S	*	12/2003	Hyogo	D14/240
D487,080 S	*	2/2004	Chen	D14/242
D512,697 S	*	12/2005	Enns	D13/184
D590,395 S	*	4/2009	Heggland	D14/363
D591,740 S	*	5/2009	Luke	D14/341
D606,034 S	*	12/2009	Suzuki	D14/125
D624,076 S	*	9/2010	Huh	D14/366

D625,722 S	*	10/2010	Park	D14/365
D651,993 S	*	1/2012	Cheng	D14/125
D661,680 S	*	6/2012	Wei	D14/155
D685,752 S	*	7/2013	Kimura	D14/125
D689,485 S	*	9/2013	Chong	D14/366
D694,753 S	*	12/2013	McManigal	D14/368
D705,813 S	*	5/2014	Deguchi	D14/498
D710,859 S	*	8/2014	Mecchella	D14/440
D723,459 S	*	3/2015	Dang	D13/108
D724,079 S	*	3/2015	Probst	D14/348
D731,470 S	*	6/2015	Terasawa	D14/358
D777,141 S	*	1/2017	Lee	D14/218
D782,430 S	*	3/2017	Tam	D14/125
D808,915 S	*	1/2018	Wang	D14/125

(Continued)

OTHER PUBLICATIONS

External Optical Drives and reader. (Design—©Questel) orbit.com.
[online PDF] 30 pgs. Print Dates range Oct. 12, 2017 to Dec. 18,
2018. [Retrieved on Mar. 14, 2019] <https://sobjprd.questel.fr/export/QPTUJ214/pdf2/e29946fa-61ad-4931-bea9-7d1a9b0a00ca-204600.pdf>.*

Primary Examiner — Marie D. Fast Horse

(57) **CLAIM**

The ornamental design for a mobile drive, as shown and described.

DESCRIPTION

FIG. 1 is a front elevational view of a mobile drive showing my new design;

FIG. 2 is a rear elevational view thereof;

FIG. 3 is a left side view thereof;

FIG. 4 is a right side view thereof;

FIG. 5 is a top plan view thereof;

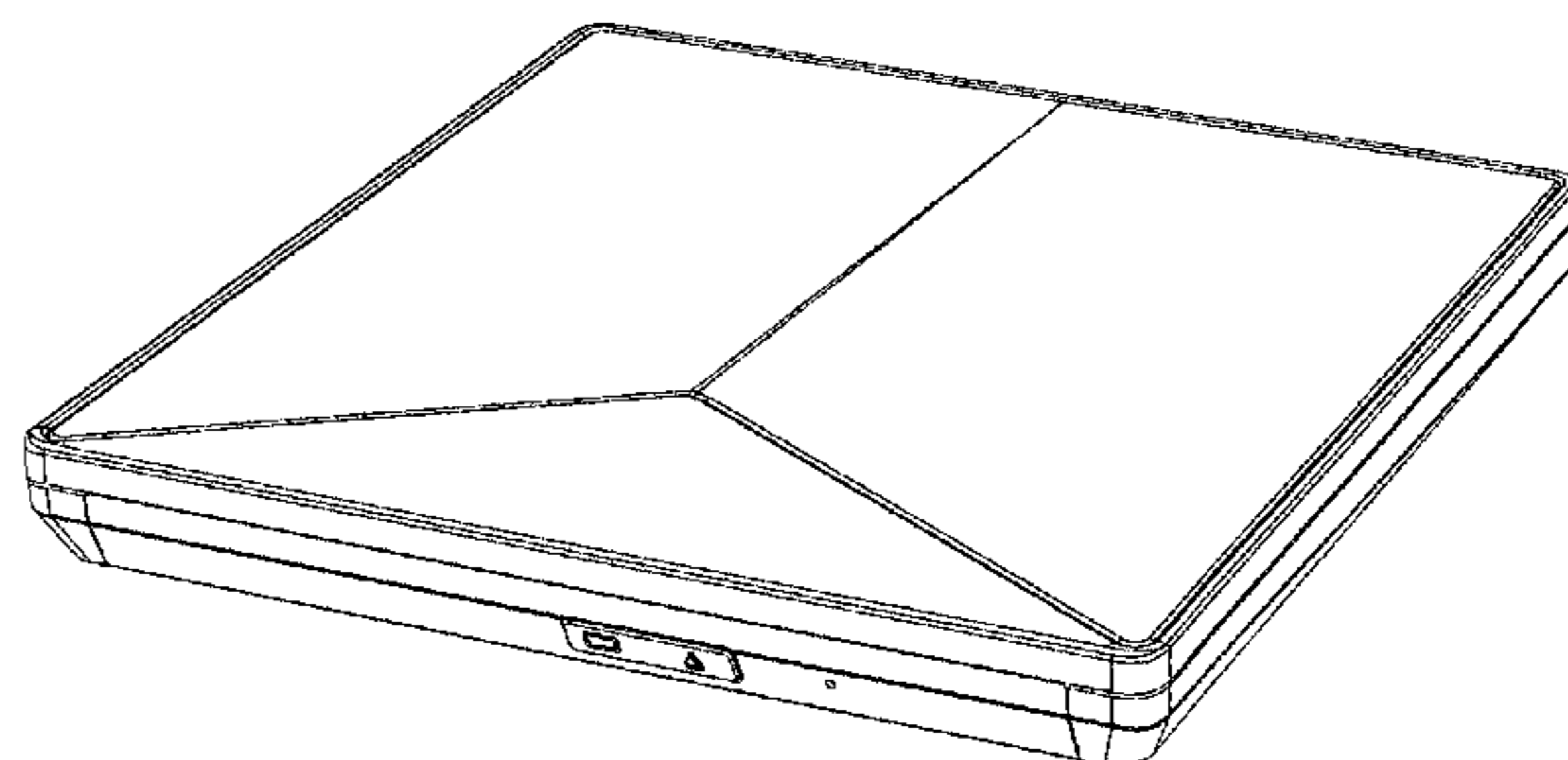
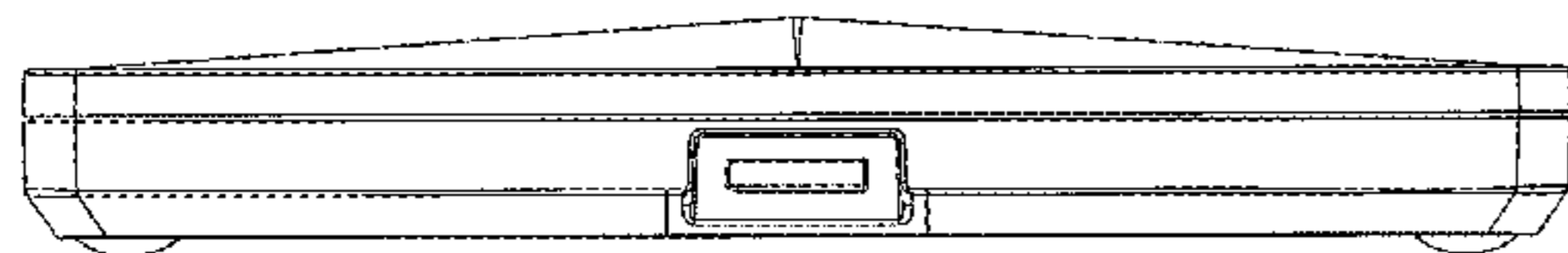
FIG. 6 is a bottom plan view thereof;

FIG. 7 is a perspective view thereof; and,

FIG. 8 is another perspective view thereof.

The broken line in FIG. 2 depicts a portion of the mobile drive that forms no part of the claimed design.

1 Claim, 5 Drawing Sheets



(56)

References Cited

U.S. PATENT DOCUMENTS

D814,464 S *	4/2018	Huang	D14/365
D821,375 S *	6/2018	Ramones	D14/242
D821,995 S *	7/2018	Wang	D14/125
D825,540 S *	8/2018	Wilcox	D14/242
D833,401 S *	11/2018	Wilcox	D13/152
D835,049 S *	12/2018	Wilcox	D13/152
D835,050 S *	12/2018	Wilcox	D13/152
D835,086 S *	12/2018	Wilcox	D14/242

* cited by examiner

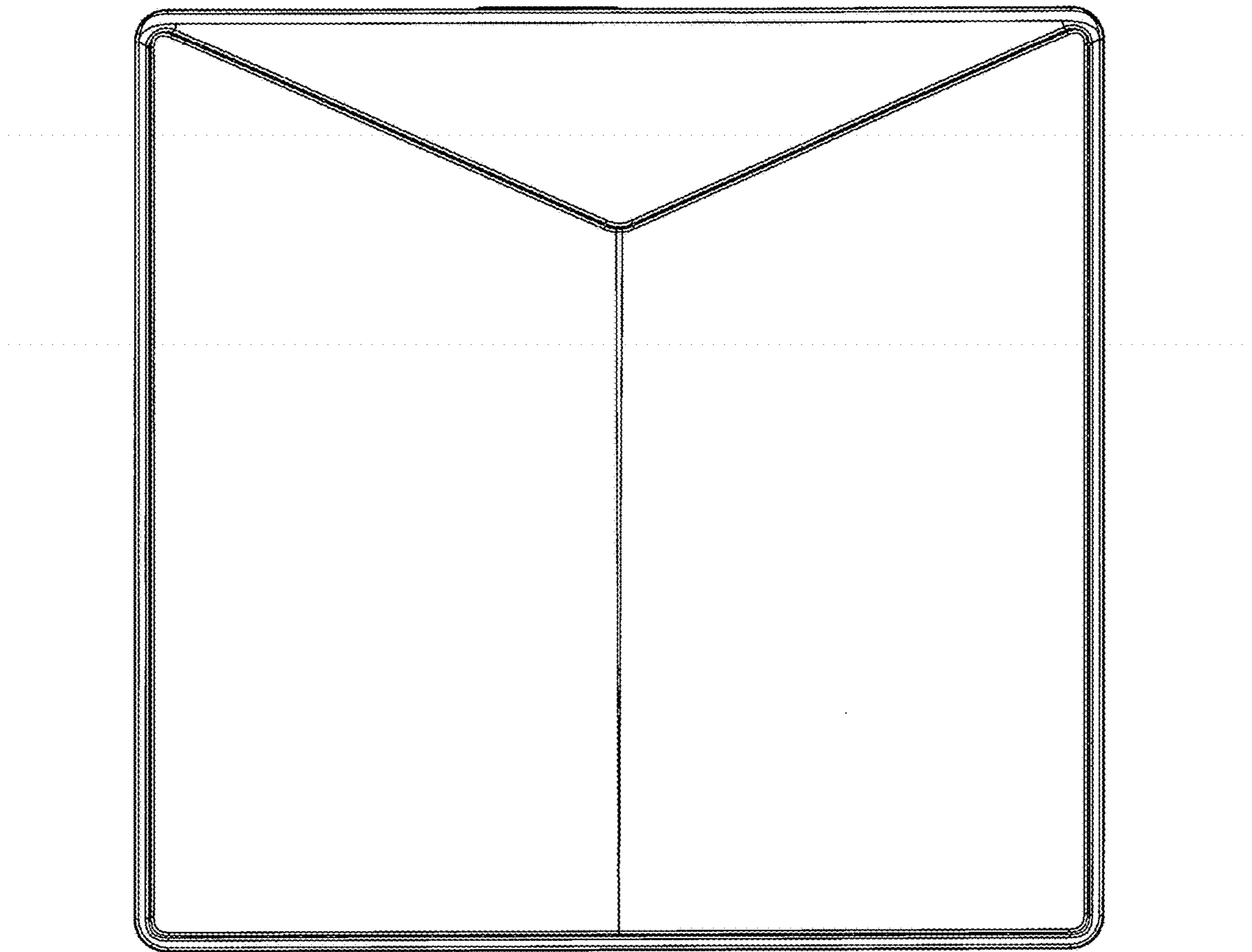


FIG. 1

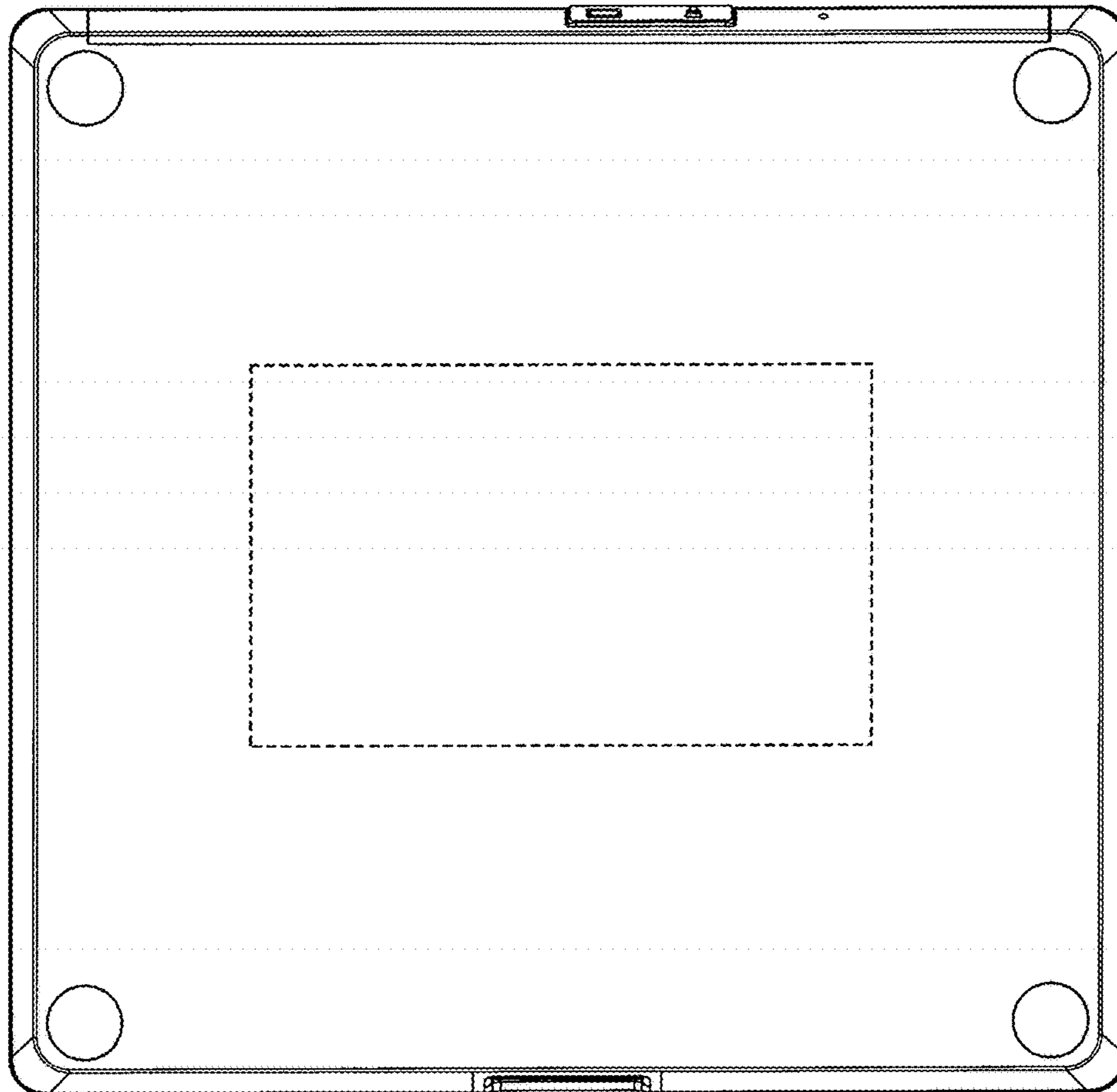


FIG. 2

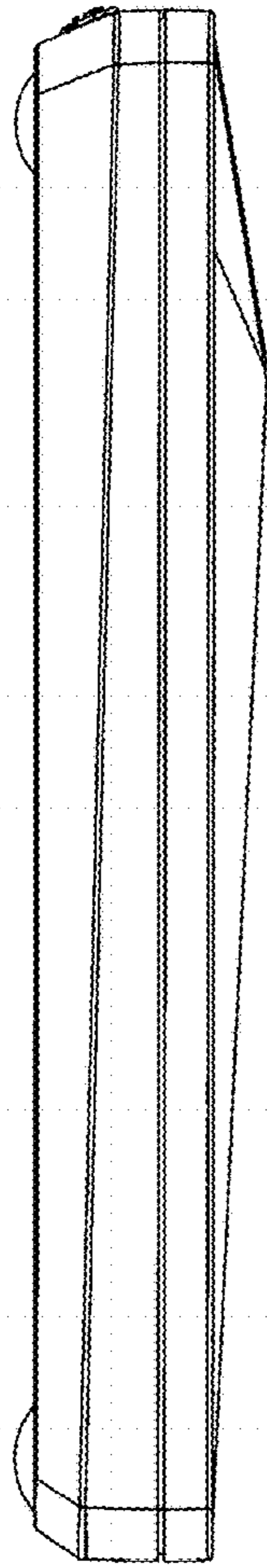


FIG. 3

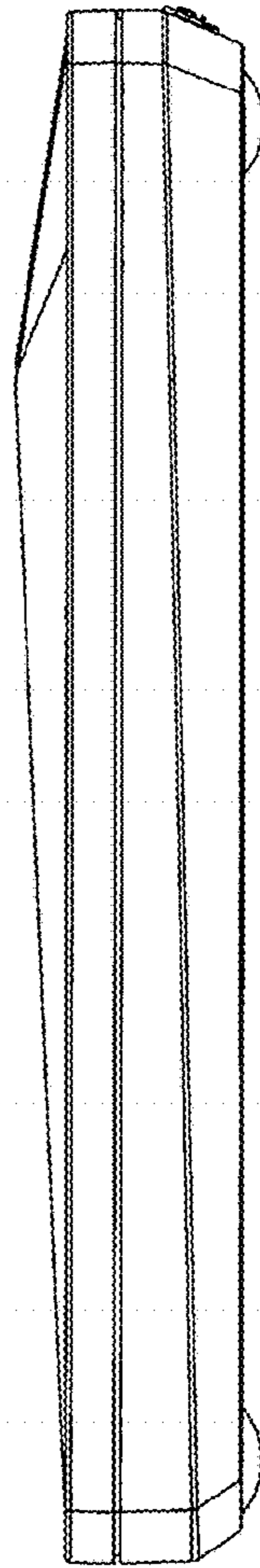


FIG. 4

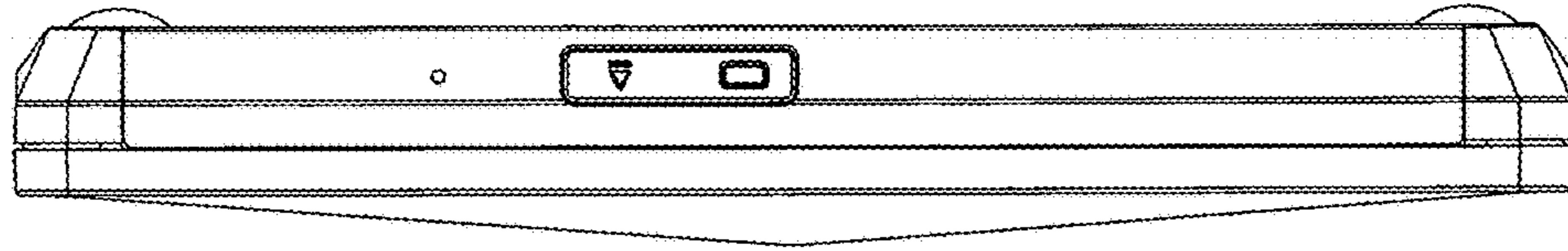


FIG. 5

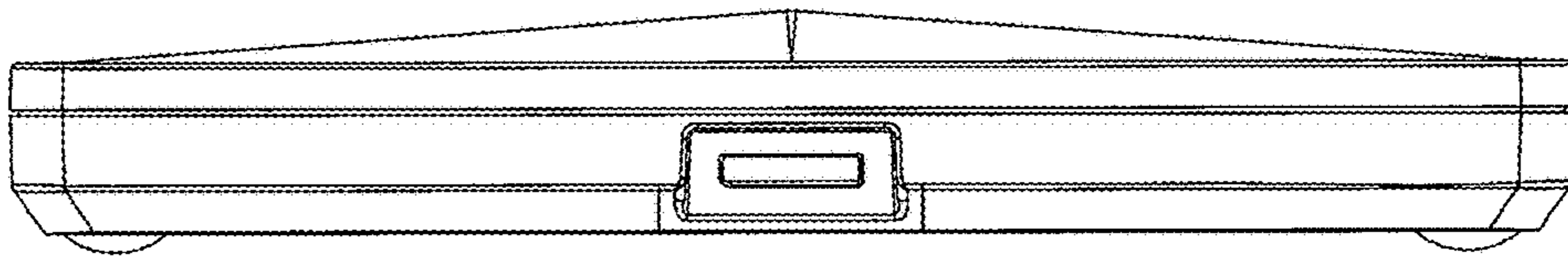


FIG. 6

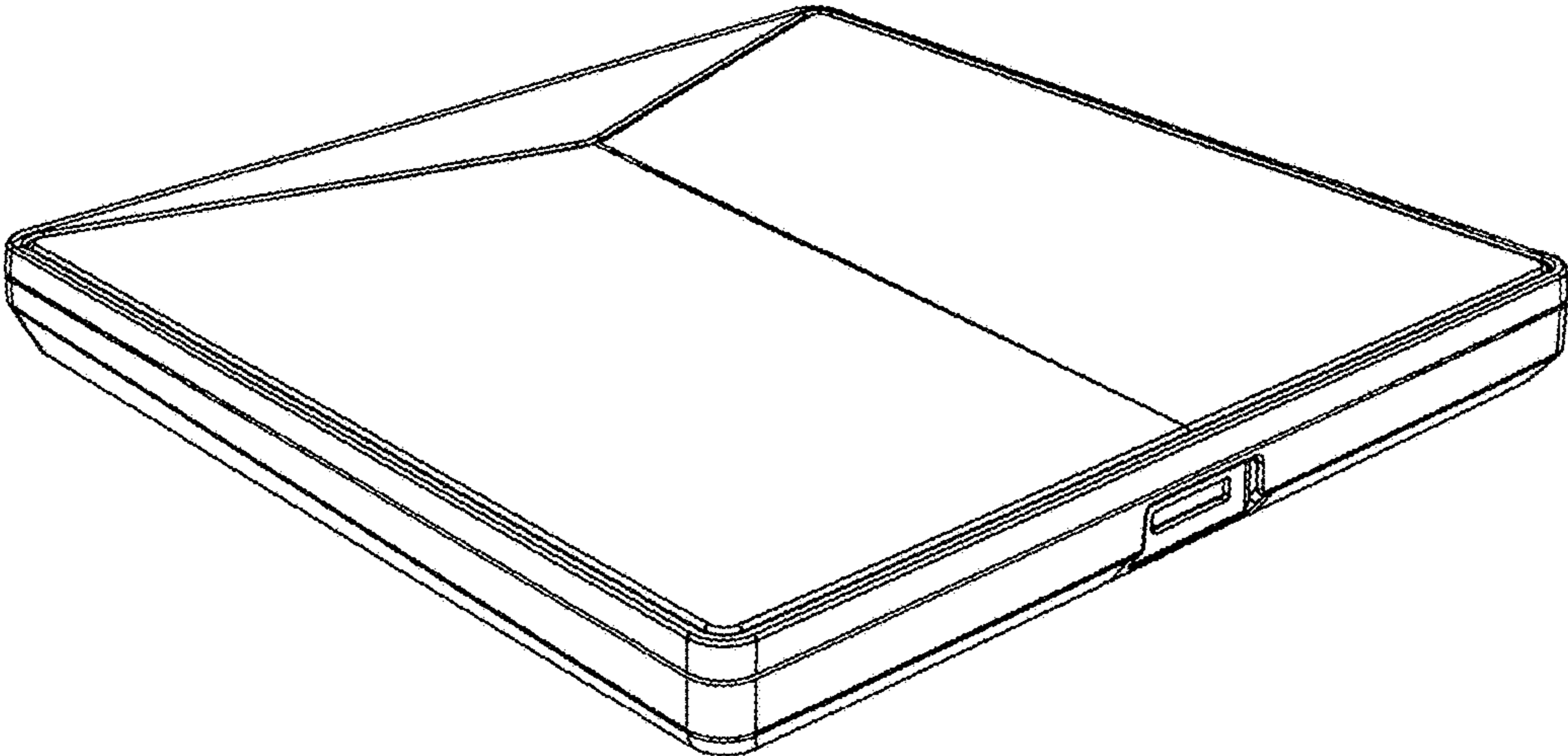


FIG. 7

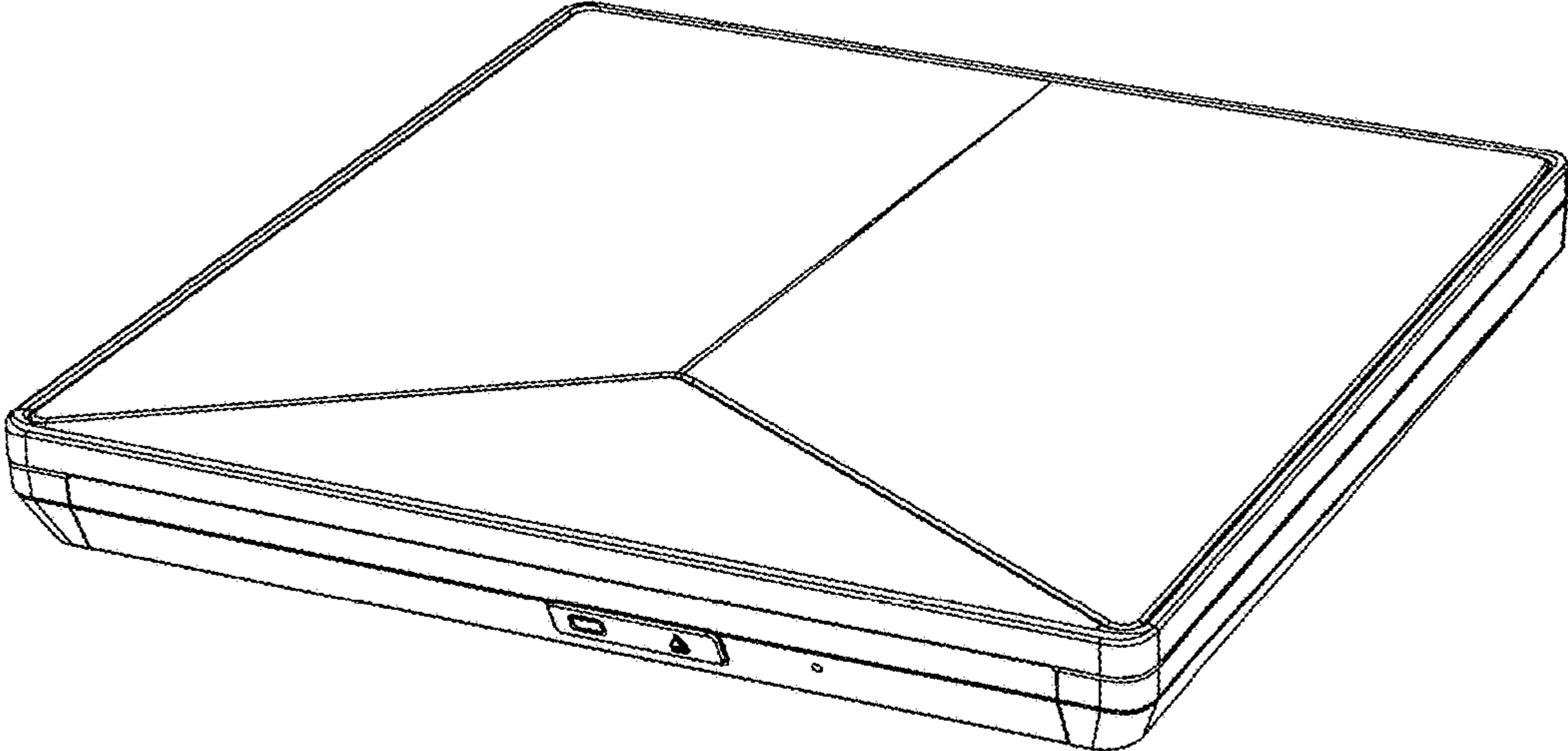


FIG. 8