



US00D856326S

(12) **United States Design Patent** (10) **Patent No.:** **US D856,326 S**  
**Shim** (45) **Date of Patent:** **\*\* Aug. 13, 2019**

(54) **SSD STORAGE DEVICE**  
(71) Applicant: **SAMSUNG ELECTRONICS CO., LTD.**, Suwon-si (KR)  
(72) Inventor: **Shady Shim**, Seoul (KR)  
(73) Assignee: **SAMSUNG ELECTRONICS CO., LTD.**, Suwon-si (KR)  
(\*\*) Term: **15 Years**

D521,001 S \* 5/2006 Xiao ..... D14/356  
D524,310 S \* 7/2006 Kent ..... D14/356  
D524,665 S \* 7/2006 Taisto ..... D10/65  
D525,240 S \* 7/2006 Hales ..... D14/240  
D561,159 S \* 2/2008 Heng ..... D14/138 AB  
D573,987 S \* 7/2008 Dearborn ..... D14/363  
D577,721 S \* 9/2008 O'Neil ..... D14/358  
D578,960 S \* 10/2008 Fisher ..... D13/108  
D586,793 S \* 2/2009 Lee ..... D14/240  
D596,636 S \* 7/2009 Kim ..... D14/363  
7,578,698 B1 \* 8/2009 Thia ..... H01R 13/5804  
439/456  
D599,112 S \* 9/2009 Wenchel ..... D3/294

(21) Appl. No.: **29/627,109**

(22) Filed: **Nov. 22, 2017**

(30) **Foreign Application Priority Data**

May 24, 2017 (KR) ..... 30-2017-0023628

(51) **LOC (12) Cl.** ..... **14-02**

(52) **U.S. Cl.**  
USPC ..... **D14/356; D14/348; D14/363**

(58) **Field of Classification Search**

USPC ..... D14/300-302, 314, 348-370, 383-385, D14/435, 496, 125, 135, 155, 240-242, D14/299, 474, 480, 203.1, 203.3, 203.4, D14/432, 433, 436, 440, 250, 498, 500, D14/502; D13/103, 107, 108, 110, 119, D13/158, 162, 184, 199; D3/276, 294; D10/46, 49, 75, 104.1  
CPC ... G11B 33/027; G11B 33/122; G11B 33/124; G11B 33/00; G11B 33/02; G11B 33/022; G11B 33/025; H05K 5/00; H05K 5/0213; H05K 7/00; H05K 7/1427

See application file for complete search history.

(56) **References Cited**

**U.S. PATENT DOCUMENTS**

D318,565 S \* 7/1991 Kearney ..... D3/294  
D460,443 S \* 7/2002 Brunner ..... D14/240

(Continued)

**FOREIGN PATENT DOCUMENTS**

CN 301451847 S 1/2011  
CN 301693813 S 10/2011

(Continued)

*Primary Examiner* — Marie D. Fast Horse  
(74) *Attorney, Agent, or Firm* — Sughrue Mion, PLLC

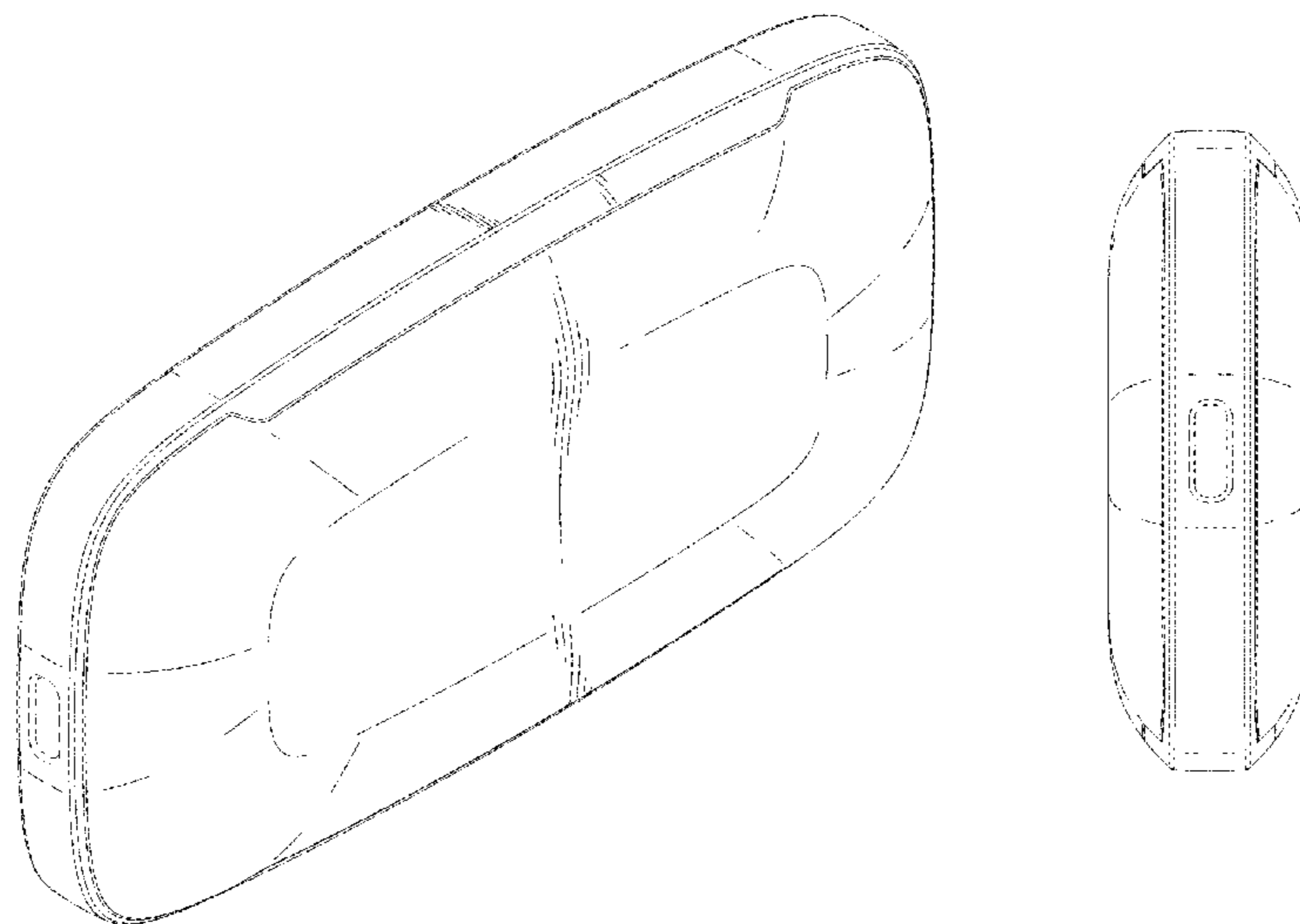
(57) **CLAIM**

The ornamental design for a SSD storage device, as shown and described.

**DESCRIPTION**

FIG. 1 is a perspective view of an SSD storage device showing our new design;  
FIG. 2 is a front elevation view thereof;  
FIG. 3 is a rear elevation view thereof;  
FIG. 4 is a left side elevation view thereof;  
FIG. 5 is a right side elevation view thereof;  
FIG. 6 is a top plan view thereof; and,  
FIG. 7 is a bottom plan view thereof.  
The rear view of the SSD storage device is a mirror image of the front.  
The broken lines in the drawings depict as portion of the SST storage device that form no part of the claimed design.

**1 Claim, 4 Drawing Sheets**



(56)

References Cited

U.S. PATENT DOCUMENTS

D599,346 S \* 9/2009 Thia ..... D14/356  
 D625,719 S \* 10/2010 Carroll ..... D14/240  
 D628,573 S \* 12/2010 Wang ..... D14/356  
 D629,399 S \* 12/2010 Camarena ..... D14/356  
 D632,290 S \* 2/2011 Jeon ..... D14/356  
 D641,363 S \* 7/2011 Dublin ..... D14/356  
 D646,272 S \* 10/2011 Woo ..... D14/365  
 D649,945 S \* 12/2011 Kim ..... D14/125  
 D659,690 S \* 5/2012 Huang ..... D14/240  
 D661,698 S \* 6/2012 Chaturvedi ..... D14/240  
 8,462,460 B1 \* 6/2013 Szeremeta ..... G11B 33/025  
 360/97.19  
 D697,941 S \* 1/2014 Zhang ..... D14/496  
 D715,052 S \* 10/2014 Fair ..... D3/301  
 D718,734 S \* 12/2014 Lockenwitz ..... D14/155  
 D727,257 S \* 4/2015 Miller ..... D13/108  
 D729,239 S \* 5/2015 Fukuoka ..... D14/348  
 D735,700 S \* 8/2015 Davis ..... D14/240  
 D740,808 S \* 10/2015 Kono ..... D14/365  
 D743,332 S \* 11/2015 Ju ..... D13/103  
 D753,059 S \* 4/2016 Krantz ..... D13/110

D760,164 S \* 6/2016 Aida ..... D13/110  
 D760,223 S \* 6/2016 Peng ..... D14/363  
 D761,263 S \* 7/2016 Brinkman ..... D14/440  
 D772,858 S \* 11/2016 Hu ..... D14/250  
 D793,958 S \* 8/2017 Rautiainen ..... D13/108  
 D795,853 S \* 8/2017 Ngo ..... D14/240  
 D798,854 S \* 10/2017 Babichenko ..... D14/250  
 D805,774 S \* 12/2017 Sun ..... D3/294  
 D813,162 S \* 3/2018 Krantz ..... D13/110  
 D821,310 S \* 6/2018 Krantz ..... D13/110  
 D823,239 S \* 7/2018 Gupta ..... D13/108  
 D824,867 S \* 8/2018 Kim ..... D14/125  
 D831,657 S \* 10/2018 Shim ..... D14/363  
 D832,781 S \* 11/2018 Nook ..... D13/107  
 2016/0013673 A1 \* 1/2016 Workman ..... H01R 13/5202  
 320/114

FOREIGN PATENT DOCUMENTS

KR 30-0483717 S 3/2008  
 KR 30-0524594 S 4/2009  
 KR 30-0554407 S 3/2010  
 KR 30-0837844 S 2/2016

\* cited by examiner

FIG. 1

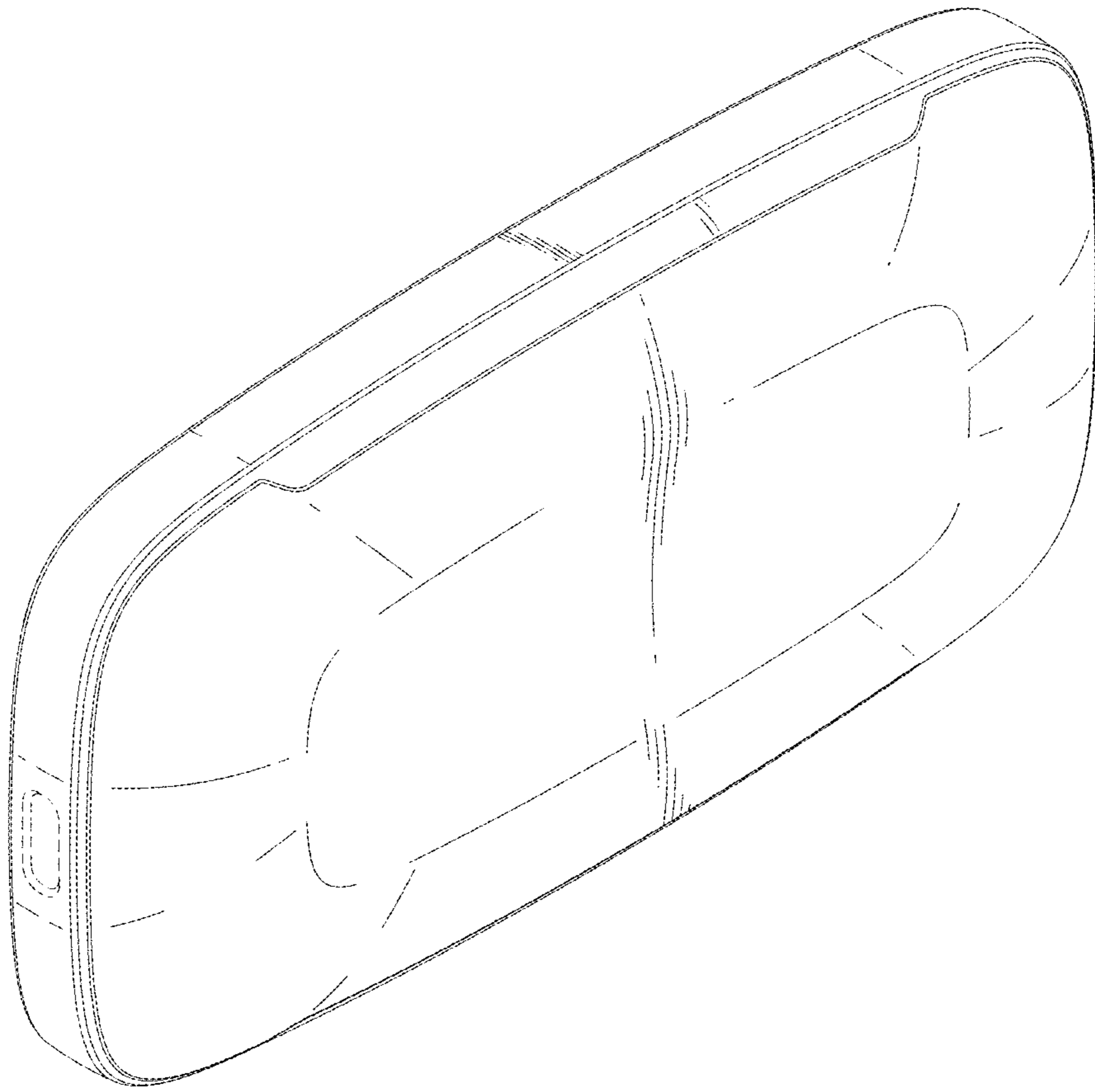


FIG. 2

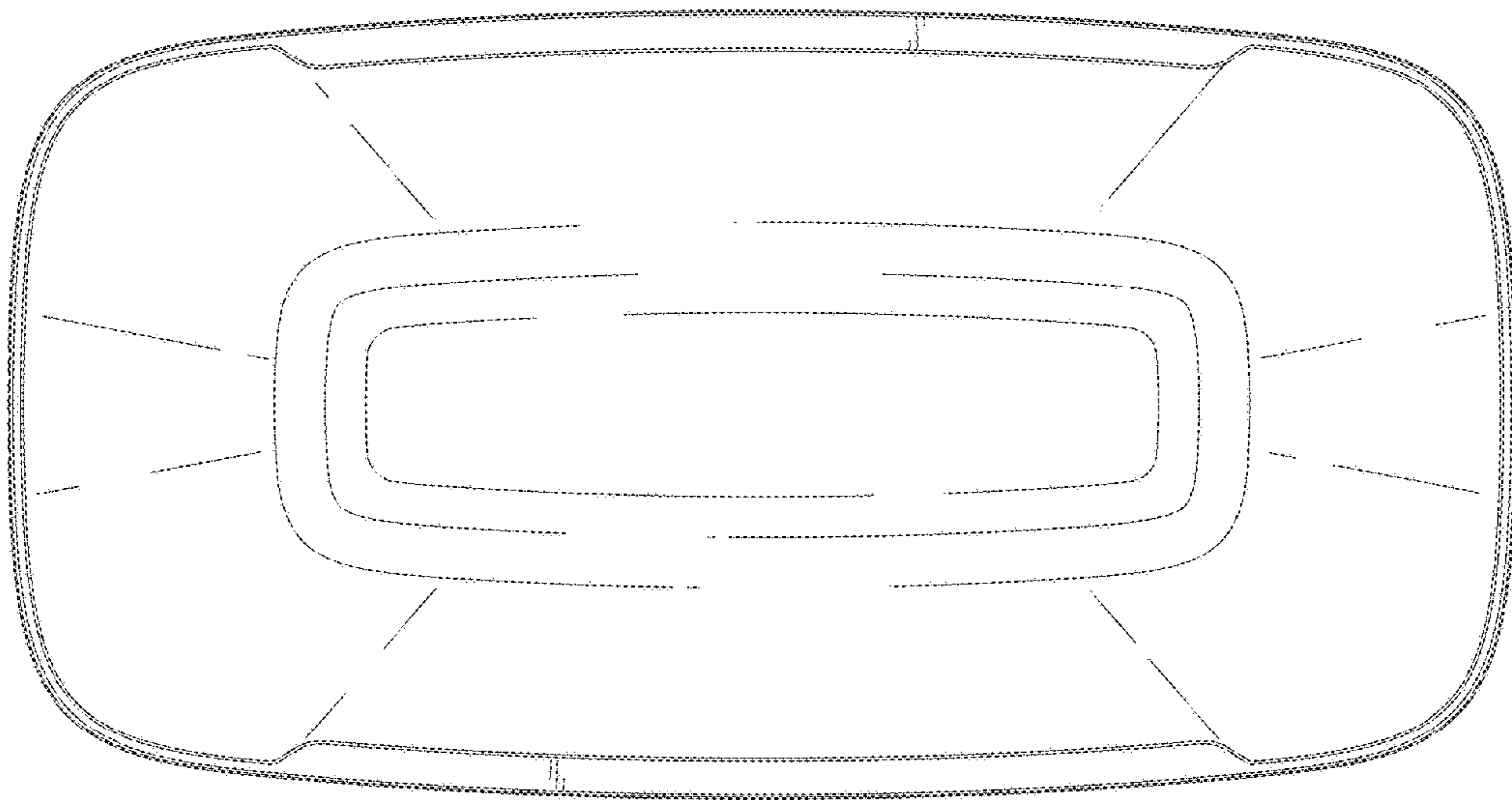


FIG. 3

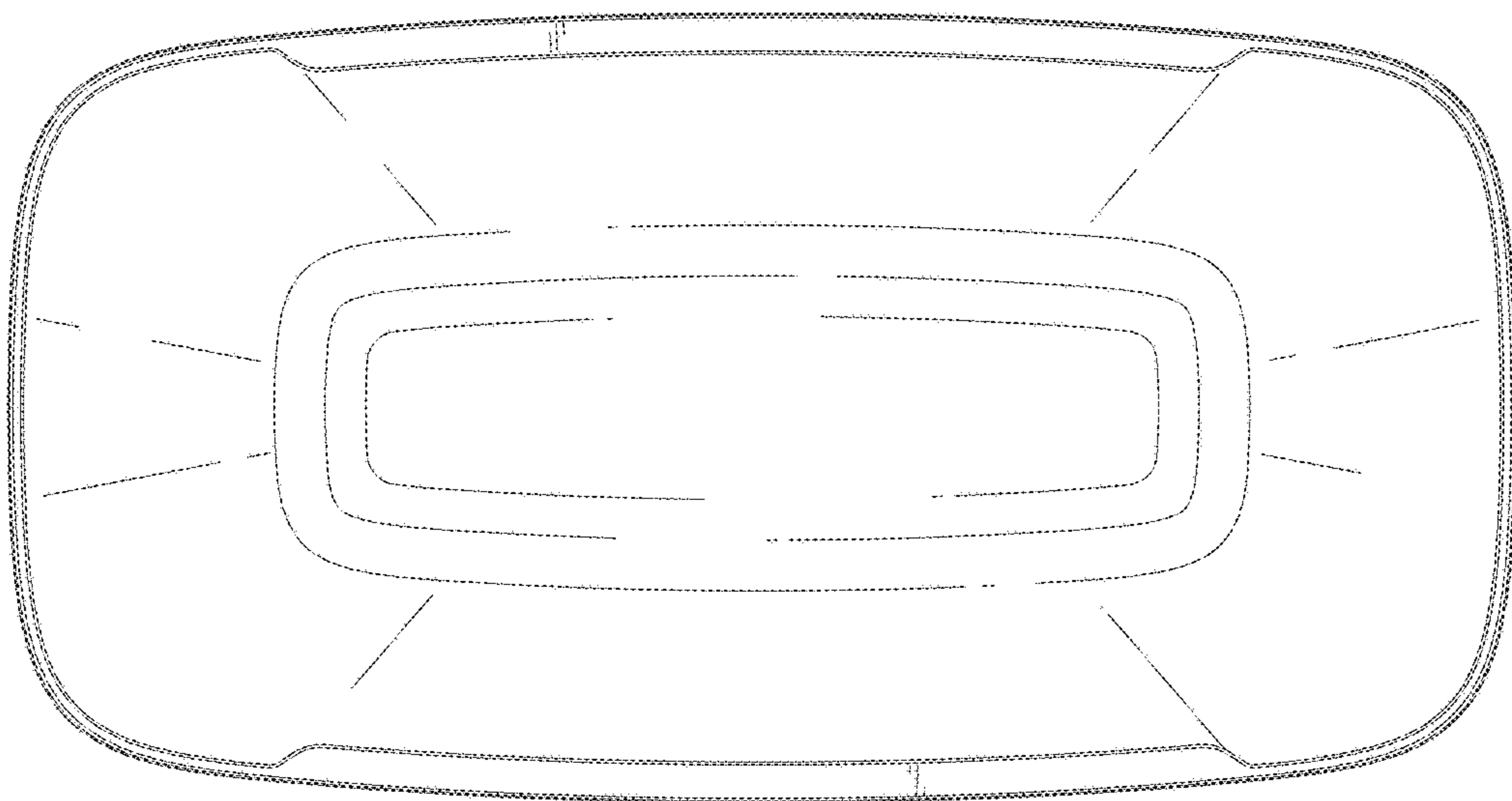


FIG. 4

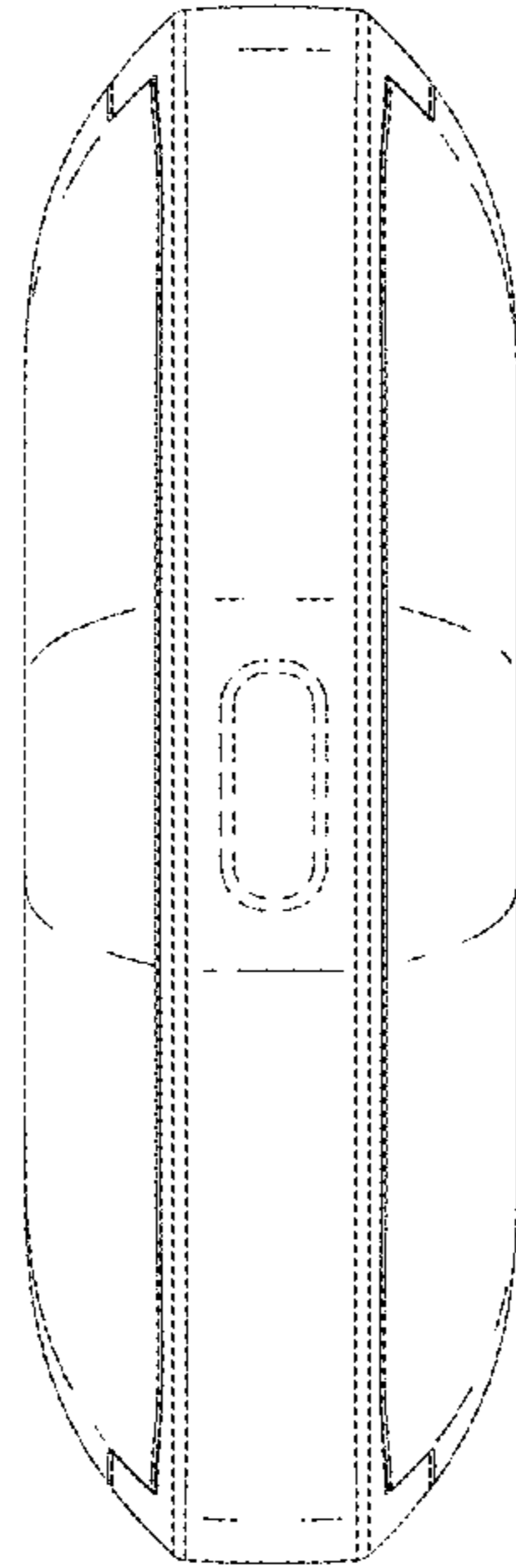


FIG. 5

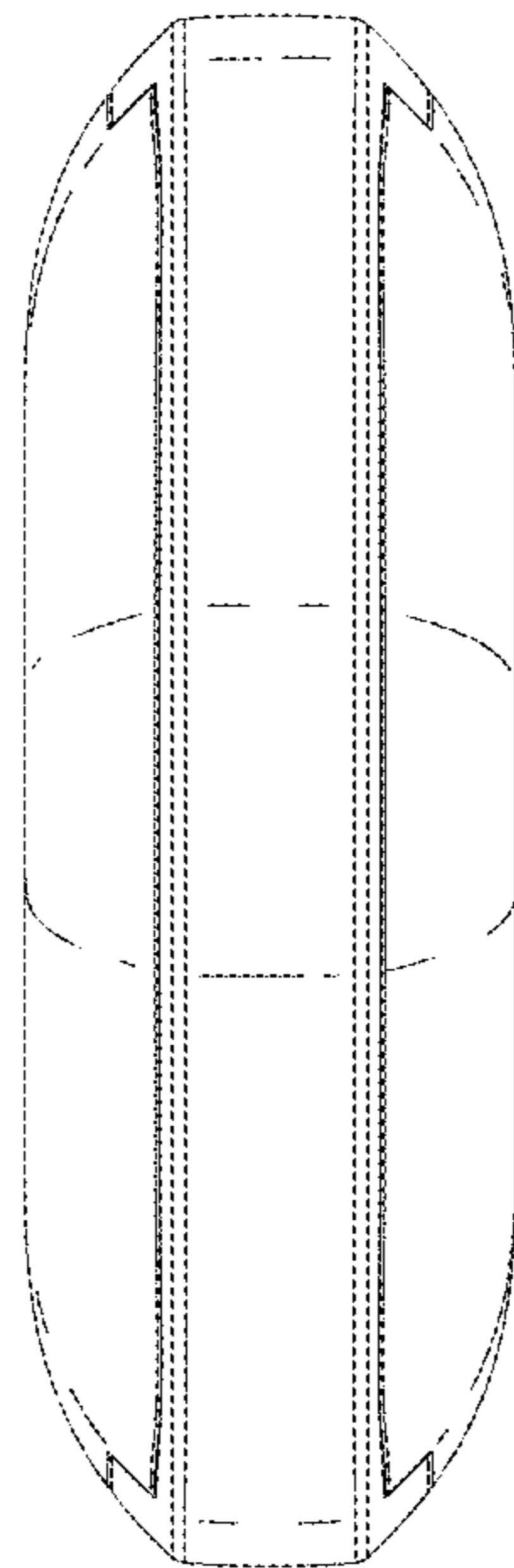


FIG. 6

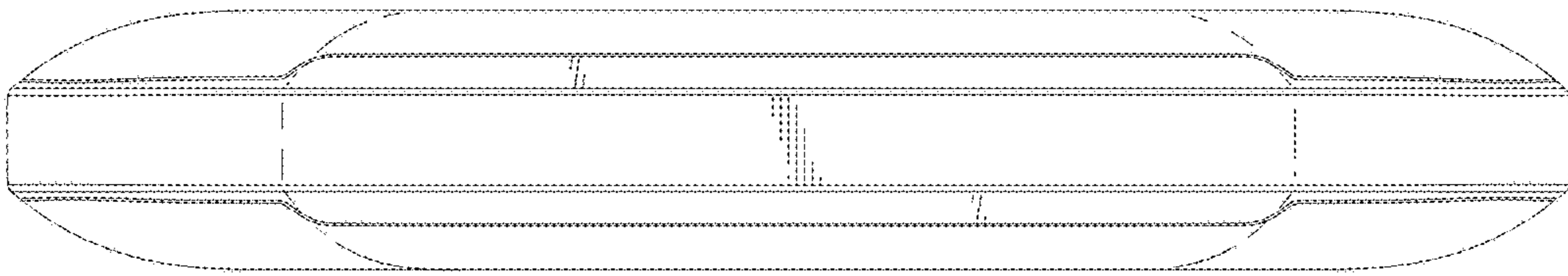


FIG. 7

