

US00D856322S

(12) **United States Design Patent**  
**Huebner**

(10) **Patent No.:** **US D856,322 S**

(45) **Date of Patent:** **\*\* Aug. 13, 2019**

(54) **COORDINATE INPUT DEVICE**

(71) Applicant: **Wacom Co., Ltd.**, Kazo-shi, Saitama (JP)

(72) Inventor: **Volker Huebner**, Erkrath (DE)

(73) Assignee: **Wacom Co., Ltd.**, Kazo-shi (JP)

(\*\*) Term: **15 Years**

(21) Appl. No.: **29/601,614**

(22) Filed: **Apr. 24, 2017**

(30) **Foreign Application Priority Data**

Oct. 28, 2016 (JP) ..... 2016-023504

(51) **LOC (12) Cl.** ..... **14-02**

(52) **U.S. Cl.**  
USPC ..... **D14/341; D14/389**

(58) **Field of Classification Search**  
USPC ..... D14/388, 389, 390, 318, 341, 342, 346,  
D14/356, 130, 218, 454, 455, 299, 371,  
D14/374, 378, 496, 432, 434, 457, 458;  
D21/324, 329, 333; D13/162, 164, 168;  
D10/46, 61, 65; D19/59-61, 113;  
D20/10, 11, 19, 99

CPC ..... G06F 3/041; G06F 3/0412; G06F 3/0414;  
G06F 3/0416; G06F 3/044; G06F 3/048;  
G06F 3/484; G06F 3/488; G06F 3/4883;  
G06F 3/03545; G06F 2203/0338; G06F  
1/1669; G06F 1/1643; G06F 1/166

See application file for complete search history.

(56) **References Cited**

**U.S. PATENT DOCUMENTS**

D352,280 S \* 11/1994 Calco ..... D14/390  
D506,195 S \* 6/2005 Leveridge ..... D14/341  
D602,022 S \* 10/2009 Heck ..... D14/388

(Continued)

*Primary Examiner* — Marie D. Fast Horse

(74) *Attorney, Agent, or Firm* — Christensen O'Connor Johnson Kindness PLLC

(57) **CLAIM**

The ornamental design for a coordinate input device, as shown and described.

**DESCRIPTION**

FIG. 1 is a front bottom right perspective view of a coordinate input device according to a first representative embodiment of my new design, wherein support legs of the coordinate input device are in a first position;

FIG. 2 is a rear top left perspective view of the coordinate input device of FIG. 1;

FIG. 3 is a front view of the coordinate input device of FIG. 1;

FIG. 4 is a rear view of the coordinate input device of FIG. 1;

FIG. 5 is a top view of the coordinate input device of FIG. 1;

FIG. 6 is a bottom view of the coordinate input device of FIG. 1;

FIG. 7 is a left view of the coordinate input device of FIG. 1;

FIG. 8 is a right view of the coordinate input device of FIG. 1;

FIG. 9 is a rear top left perspective view of the coordinate input device of FIG. 1, wherein the support legs of the coordinate input device are in a second position;

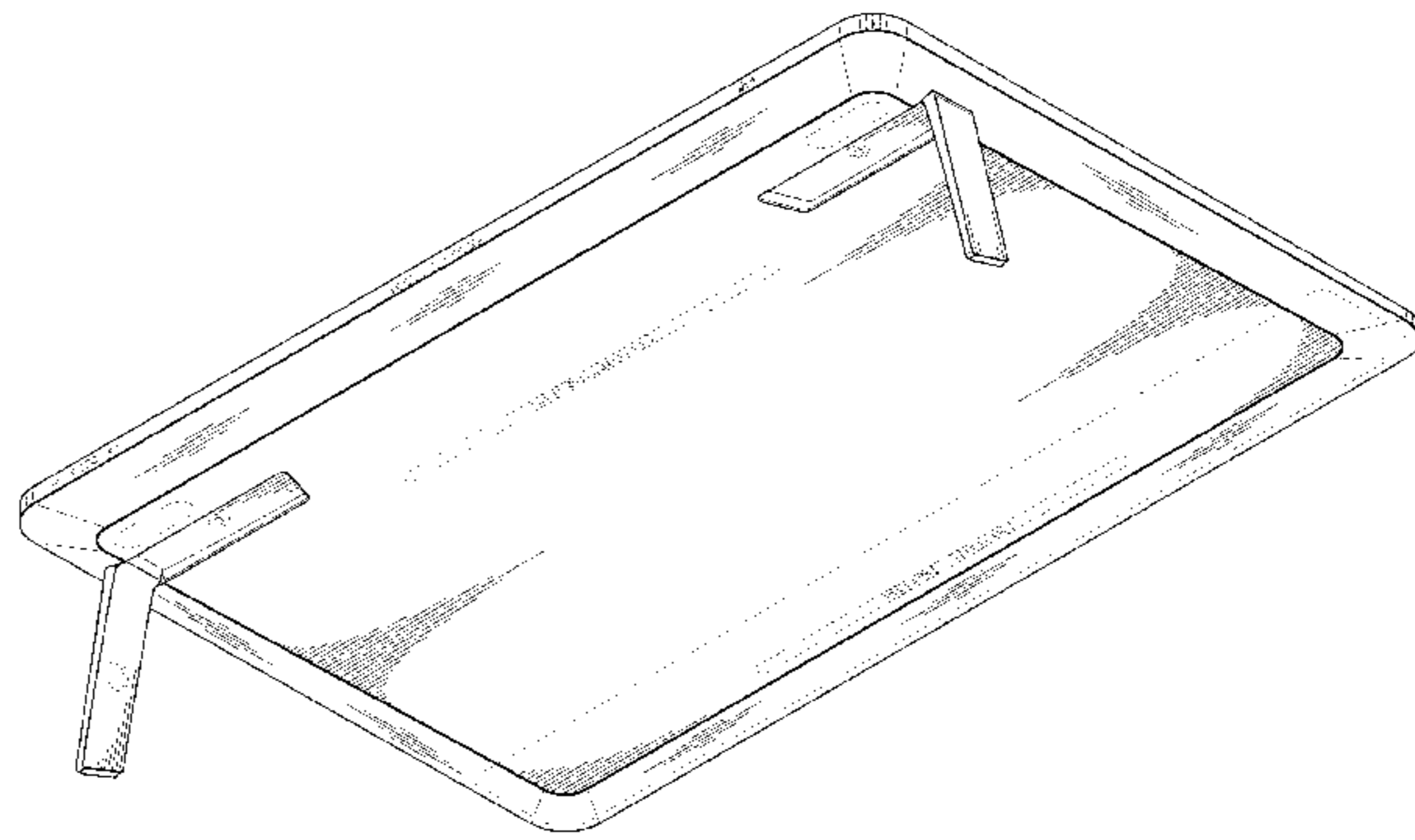
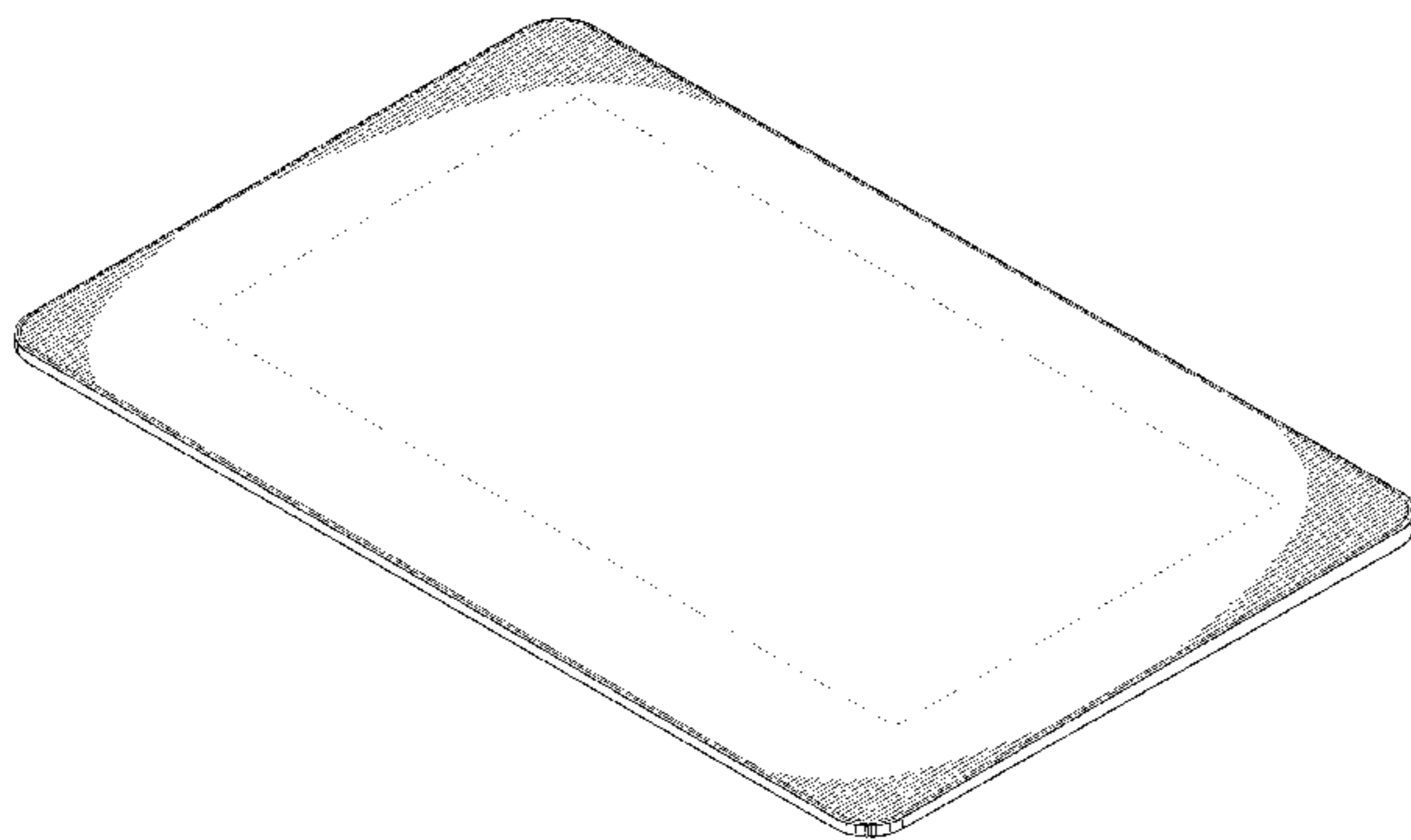
FIG. 10 is a rear view of the coordinate input device of FIG. 9;

FIG. 11 is a top view of the coordinate input device of FIG. 9; and,

FIG. 12 is a right view of the coordinate input device of FIG. 9.

The broken lines in the drawings show portions of the coordinate input device that form no part of the claimed design.

**1 Claim, 8 Drawing Sheets**



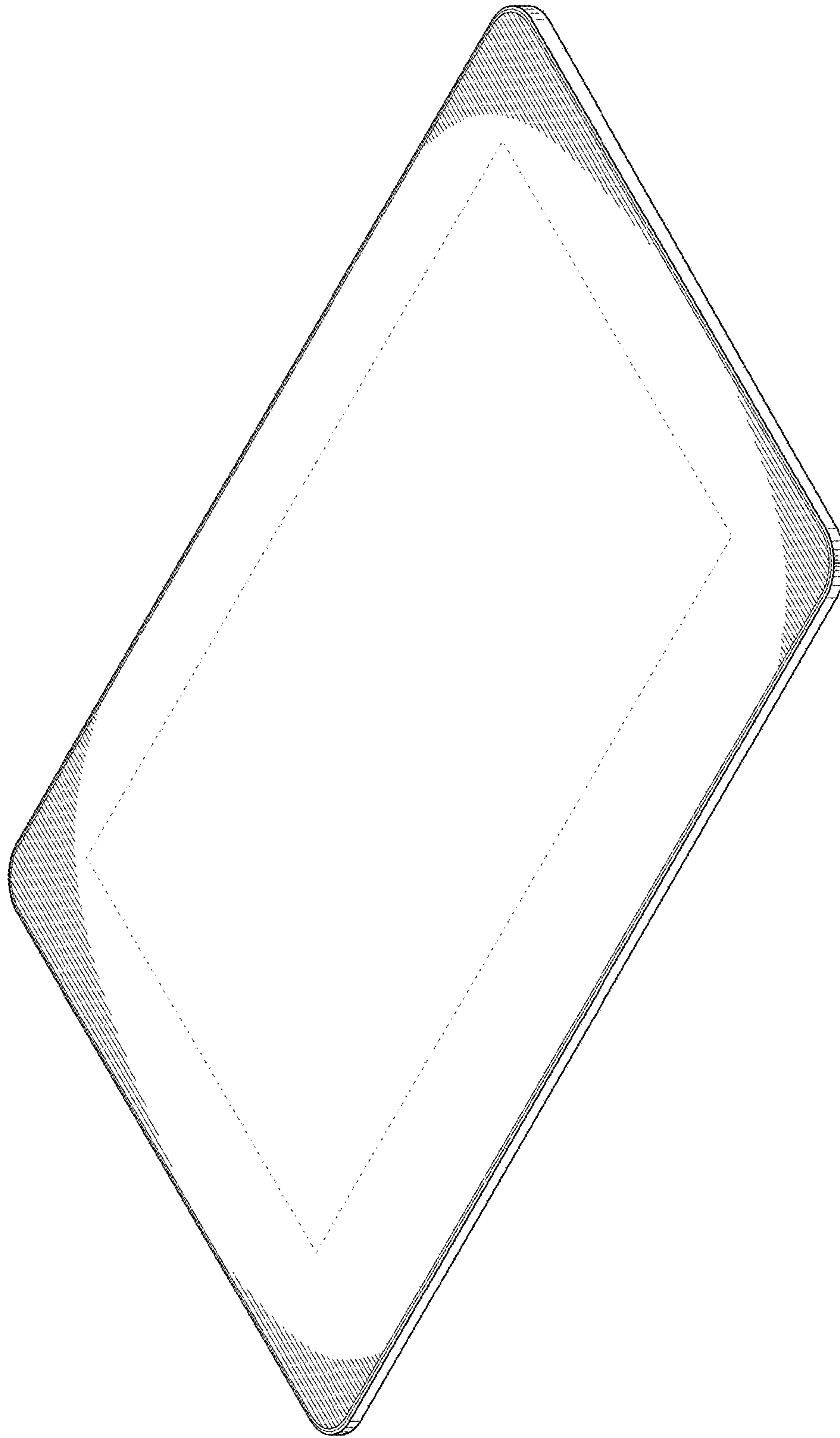
(56)

References Cited

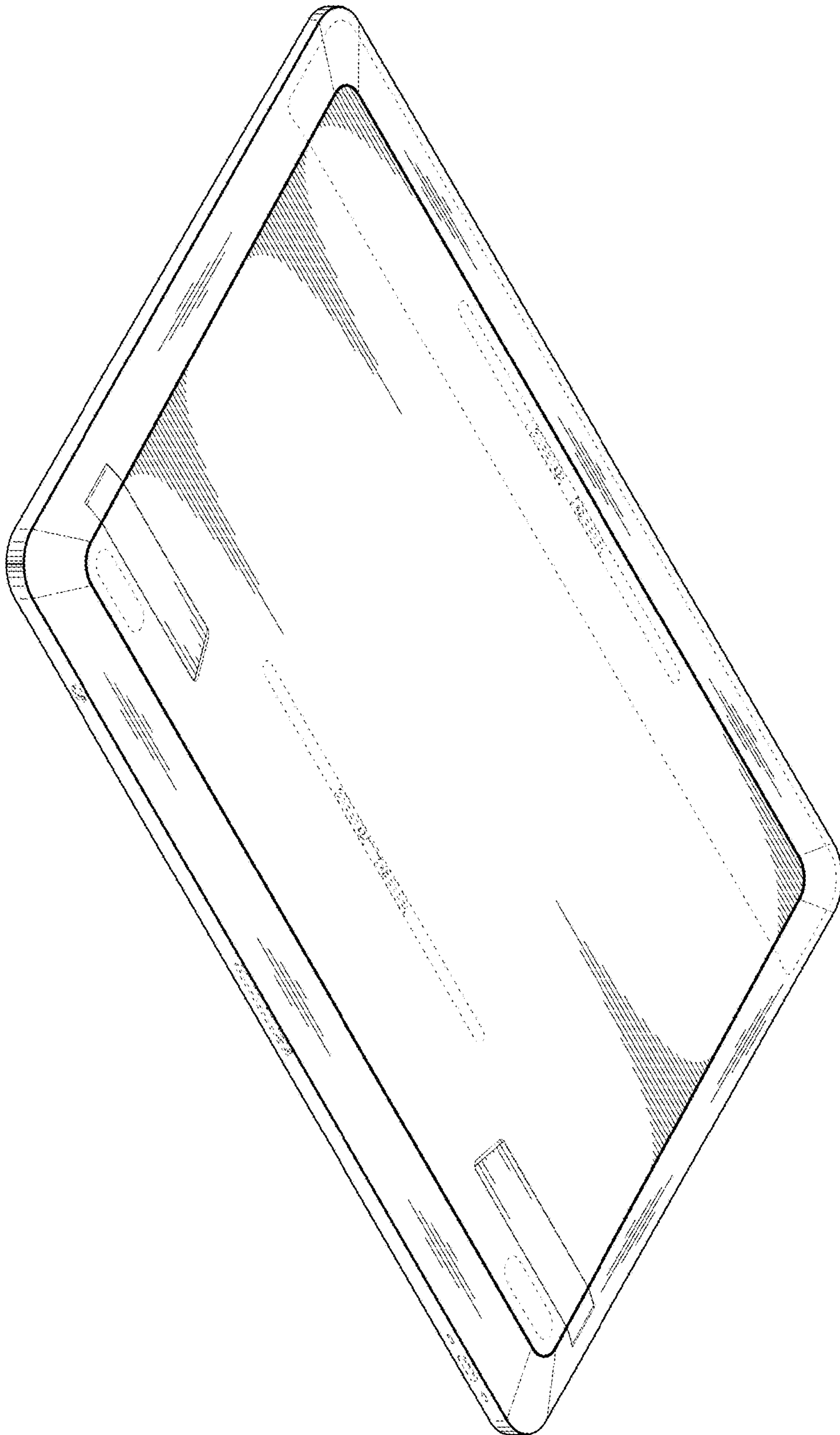
U.S. PATENT DOCUMENTS

D666,620 S *	9/2012	Harper	.....	D14/448	D755,292 S *	5/2016	Sirolich	.....	D19/113
D669,049 S *	10/2012	Harper	.....	D14/126	D769,865 S *	10/2016	Oakley	.....	D14/341
D671,112 S *	11/2012	Harper	.....	D14/336	D773,456 S *	12/2016	Mitchell	.....	D10/65
D671,117 S *	11/2012	Harper	.....	D14/371	D797,848 S *	9/2017	Tsuruoka	.....	D19/113
D671,514 S *	11/2012	Kim	.....	D14/138 G	D804,470 S *	12/2017	Hallar	.....	D14/341
D689,487 S *	9/2013	Halsinger	.....	D14/389	D804,575 S *	12/2017	Pan	.....	D19/113
D689,491 S *	9/2013	Halsinger	.....	D14/389	D808,960 S *	1/2018	Chan	.....	D14/341
D689,492 S *	9/2013	Halsinger	.....	D14/389	D810,745 S *	2/2018	Luo	.....	D14/389
D701,570 S *	3/2014	Fletcher	.....	D19/113	D812,050 S *	3/2018	Mitchell	.....	D14/341
D702,579 S *	4/2014	Lee	.....	D10/108	D818,465 S *	5/2018	Mitchell	.....	D14/341
D703,665 S *	4/2014	Suzuki	.....	D14/341	2003/0034960 A1 *	2/2003	Li	.....	G06F 3/046
D719,161 S *	12/2014	Huebner	.....	D14/389					345/179
D720,634 S *	1/2015	Dempsey	.....	D10/65	2011/0090146 A1 *	4/2011	Katsurahira	.....	G06F 3/03545
D732,533 S *	6/2015	Hirota	.....	D14/389					345/156
D733,710 S *	7/2015	Huebner	.....	D14/341	2013/0222238 A1 *	8/2013	Sliger	.....	G06F 3/04883
D744,484 S *	12/2015	Huebner	.....	D14/389					345/157
D746,278 S *	12/2015	Chen	.....	D14/341	2013/0326583 A1 *	12/2013	Freihold	.....	G06F 3/04883
D748,630 S *	2/2016	Helwig	.....	D14/389					726/3
D753,105 S *	4/2016	Chang	.....	D14/203.7	2015/0049028 A1 *	2/2015	Pollmann	.....	G06F 3/0488
D753,223 S *	4/2016	Chin	.....	D19/113					345/173
D754,008 S	4/2016	Huebner			2018/0052533 A1 *	2/2018	Murphy	.....	G06F 3/03545
					2018/0181221 A1 *	6/2018	Nakajima	.....	G06F 3/03545

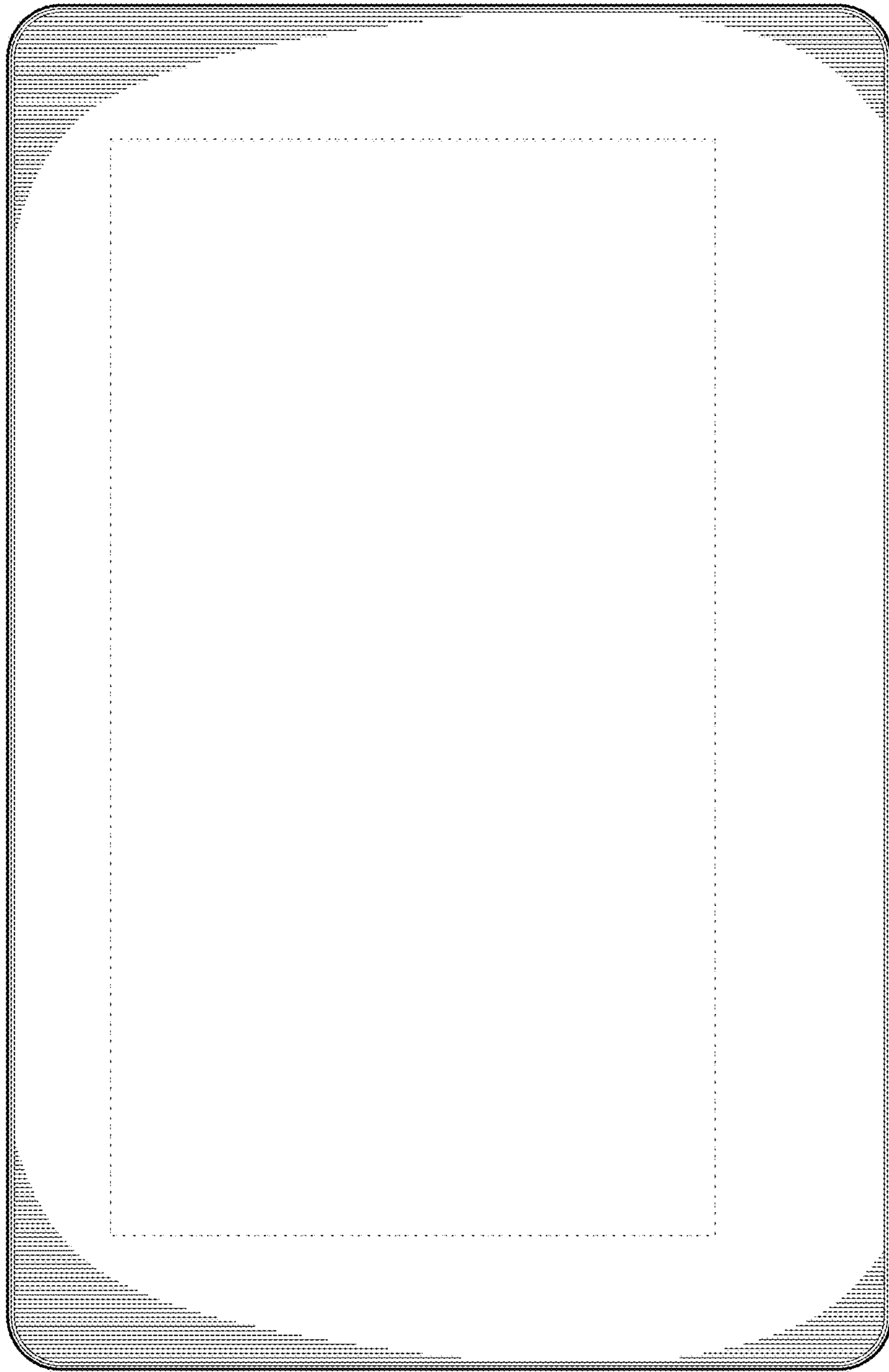
\* cited by examiner



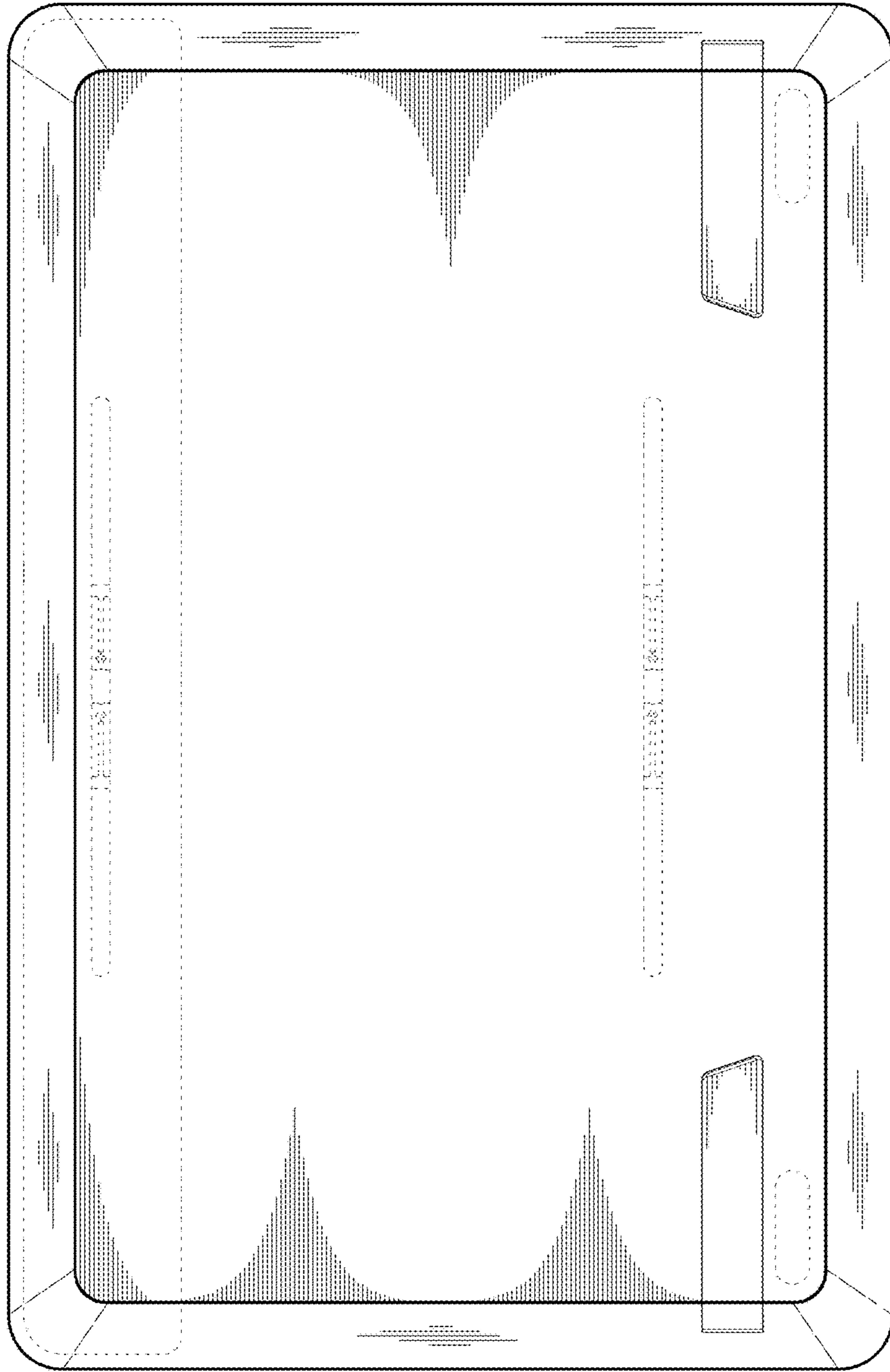
*Fig. 1.*



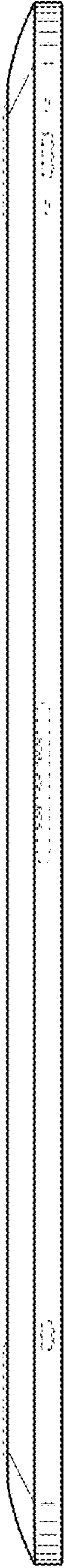
*Fig. 2.*



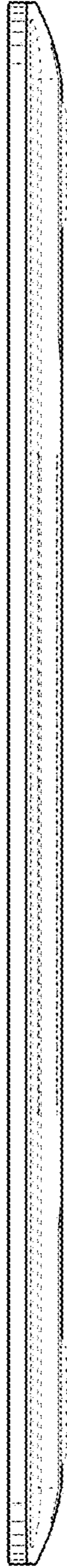
*Fig. 3.*



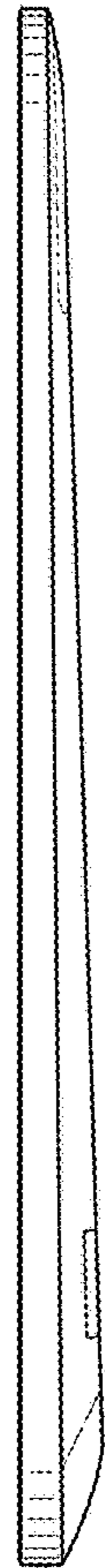
*Fig. 4.*



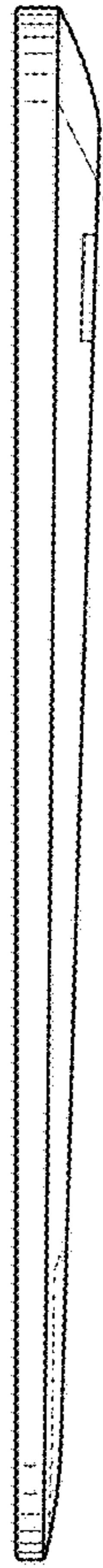
*Fig. 5.*



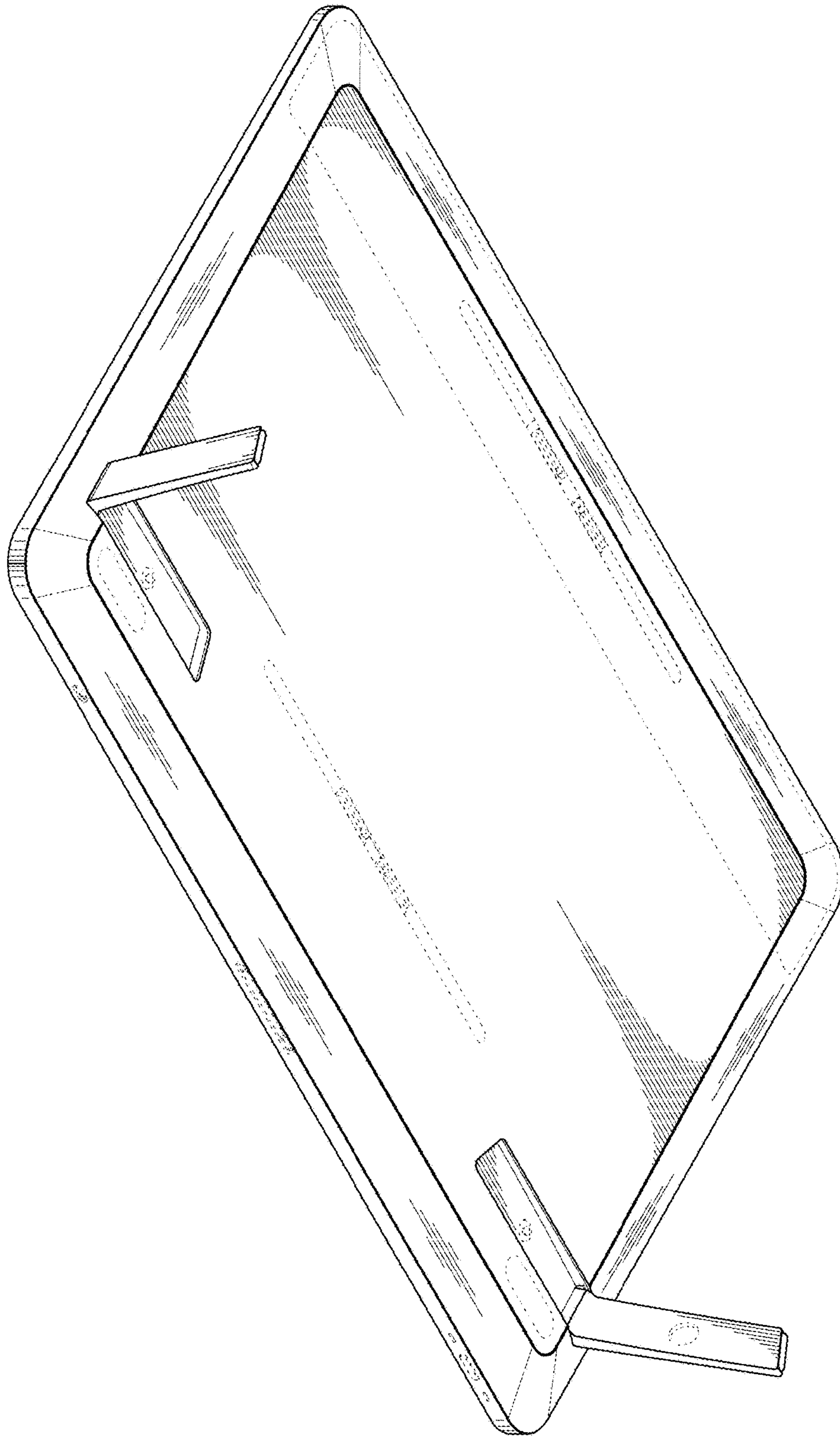
*Fig. 6.*



*Fig. 7.*

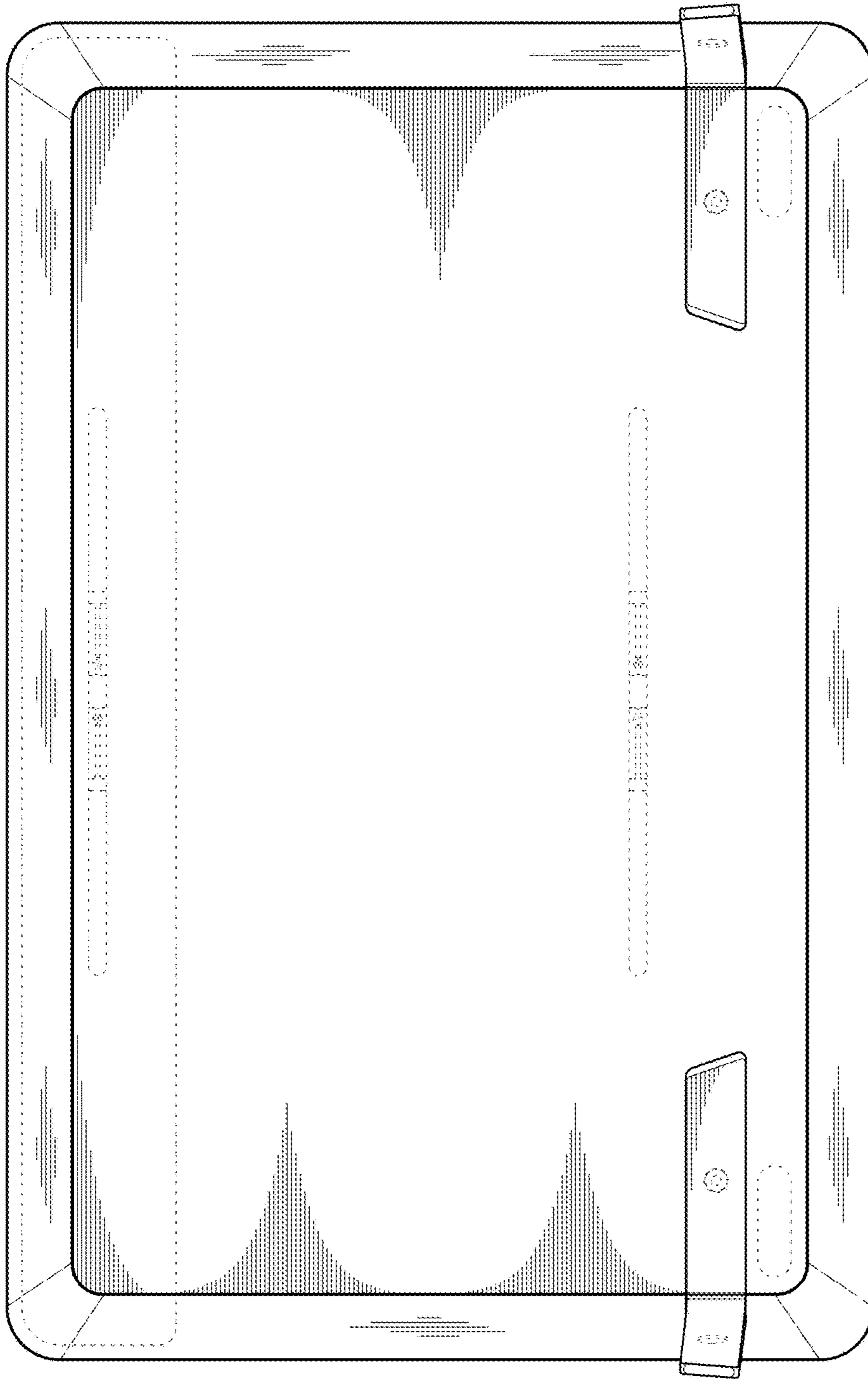


*Fig. 8.*

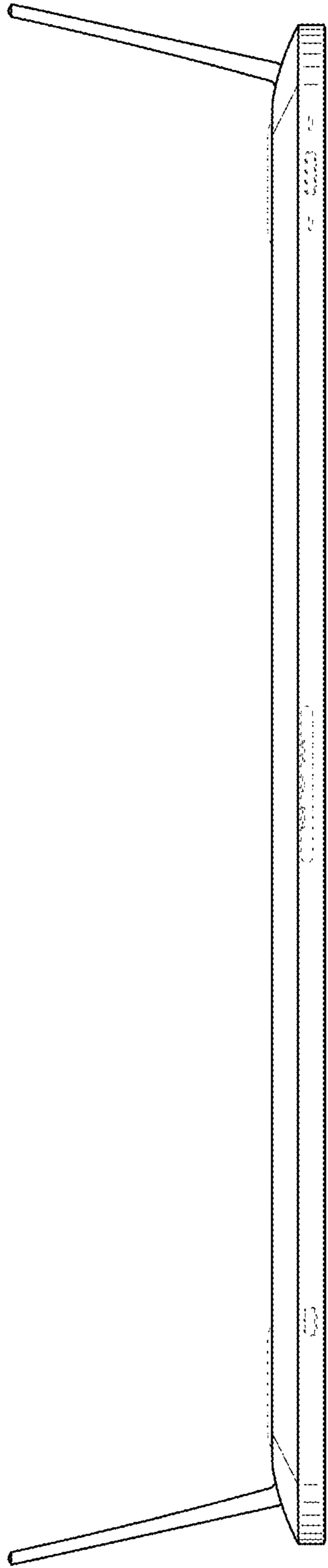


*Fig. 9.*





*Fig. 10.*



*Fig. 11.*



*Fig. 12.*