



US00D856320S

(12) **United States Design Patent** (10) **Patent No.:** **US D856,320 S**
Li (45) **Date of Patent:** **** Aug. 13, 2019**

(54) **SUPPORT FOR PORTABLE ELECTRONIC DEVICE**

(71) Applicant: **SHENZHEN BAISHENG PROTOTYPE CO LTD**, Shenzhen, Guangdong (CN)

(72) Inventor: **Ming Li**, Shenzhen (CN)

(73) Assignee: **SHENZHEN BAISHENG PROTOTYPE CO LTD**, Shenzhen, Guangdong Province (CN)

(**) Term: **15 Years**

(21) Appl. No.: **29/619,762**

(22) Filed: **Oct. 2, 2017**

(30) **Foreign Application Priority Data**

Aug. 30, 2017 (CN) 2017 3 0406481

(51) **LOC (12) Cl.** **14-03**

(52) **U.S. Cl.**
USPC **D14/253; D14/447**

(58) **Field of Classification Search**
USPC D14/250–254, 172, 192, 203.3–203.7, D14/217, 224, 224.1, 229, 238, 238.1, D14/299, 447, 483, 451, 452, 434; D13/103, 107, 108, 119; D3/201, 218, D3/226; D16/242; D10/74; D8/382, D8/349; D6/567; D19/75, 77, 91
CPC .. H04M 1/026; H04M 1/0295; H04M 1/0279; H04M 1/0281; H04M 1/0283; H04B 1/3877; H04B 1/3883; H04B 1/3888; A45F 2200/0516; A45F 2200/0525; A45C 11/00; A45C 2011/002; A45C 13/1069; H05K 5/02; H05K 5/0204; H05K 5/0073; H05K 7/14; F16M 13/00; F16M 13/02; F16M 13/022; B60R 11/00; B60R 11/02; B60R 11/0241; B60R 11/0258
See application file for complete search history.

(56) **References Cited**

U.S. PATENT DOCUMENTS

4,871,074 A * 10/1989 Bryson A45D 20/12
211/26
D336,182 S * 6/1993 Machut D6/310
D407,408 S * 3/1999 Hoff D14/253
D574,375 S * 8/2008 Prest D14/217
D588,139 S * 3/2009 Fujino D14/447
D616,431 S * 5/2010 Hijmans D14/253

(Continued)

OTHER PUBLICATIONS

Cell Phone Stand 2, online, no post date, <URL: <https://cults3d.com/en/3d-model/tool/cell-phone-stand-2>>, retrieved Feb. 25, 2019.*

Primary Examiner — Jeffrey D Asch
Assistant Examiner — Rebekah A Caruso

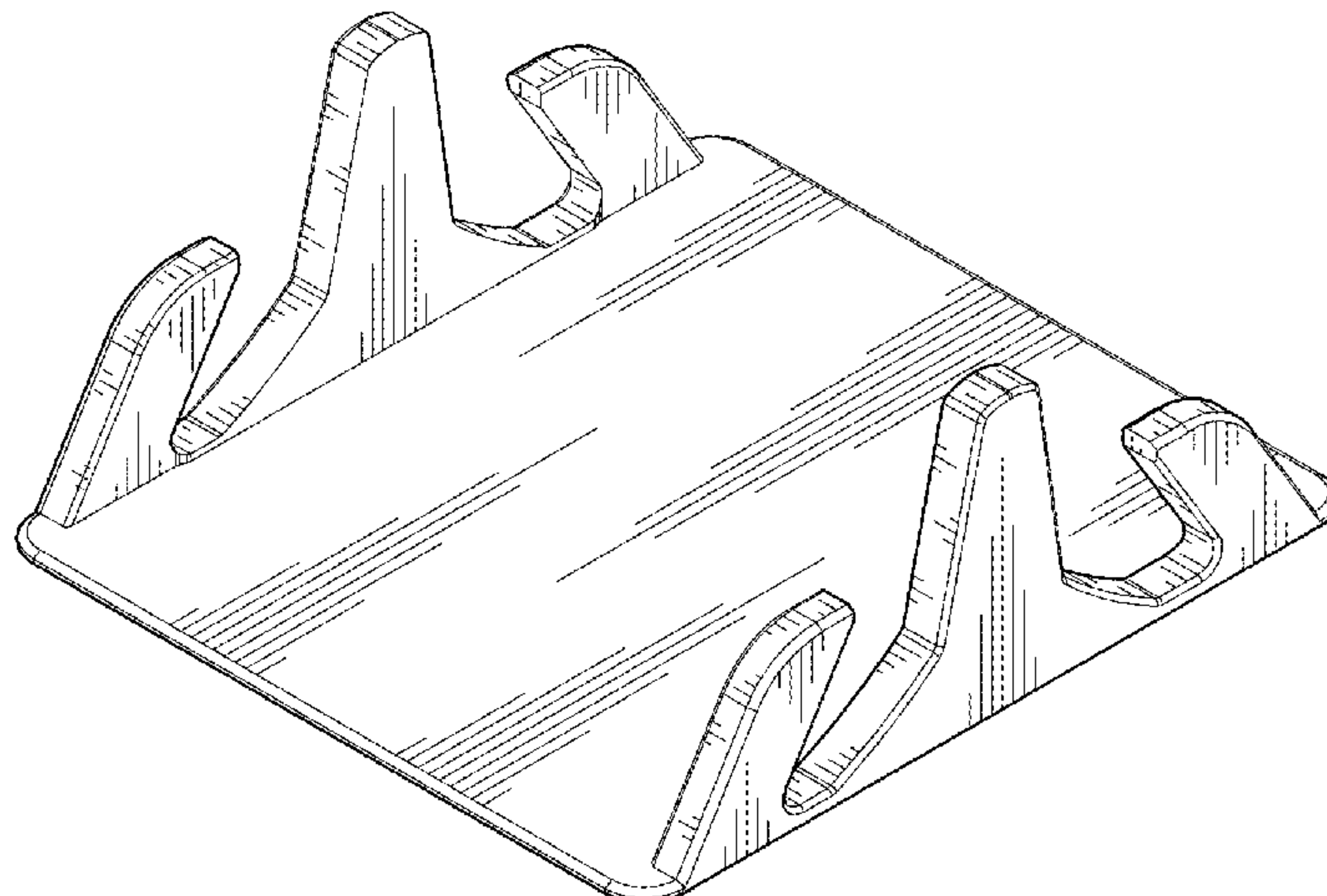
(57) **CLAIM**

The ornamental design for a “support for portable electronic device,” as shown and described.

DESCRIPTION

FIG. 1 is a right, front and top perspective view of a support for portable electronic device showing my new design;
FIG. 2 is a front elevational view thereof;
FIG. 3 is a rear elevational view thereof;
FIG. 4 is a left side elevational view thereof;
FIG. 5 is a right side elevational view thereof;
FIG. 6 is a top plan view thereof;
FIG. 7 is a bottom plan view thereof;
FIG. 8 is a left, rear and bottom perspective view thereof;
and,
FIG. 9 is a side view thereof, showing the article in use supporting a portable electronic device.
The portions in broken lines are shown for illustrative purposes only and form no part of the claimed design.

1 Claim, 7 Drawing Sheets



(56)

References Cited

U.S. PATENT DOCUMENTS

D636,395	S	*	4/2011	Anderson	D13/107
D647,881	S	*	11/2011	Warner	D14/217
D674,395	S	*	1/2013	Haarburger	D14/447
D696,260	S	*	12/2013	Merea	D14/447
D702,886	S	*	4/2014	Bohman	D28/38
D709,076	S	*	7/2014	Stener	D14/447
D711,890	S	*	8/2014	Stener	D14/447
D714,297	S	*	9/2014	Poulsen	D14/447
D718,742	S	*	12/2014	Warner	D14/217
D721,073	S	*	1/2015	Alesi	D14/253
D730,888	S	*	6/2015	Malsan	D14/253
D739,396	S	*	9/2015	Wheatley	B60R 11/02 D14/253
D761,236	S	*	7/2016	Wengreen	D14/238.1
D761,782	S	*	7/2016	Kitching	D14/253
D769,248	S	*	10/2016	Biondo	D14/447
D779,478	S	*	2/2017	Justiss	D14/253
9,653,934	B2	*	5/2017	Forristall	H02J 7/0054
D813,241	S	*	3/2018	Wengreen	D14/434
D834,029	S	*	11/2018	Wengreen	D14/447
D840,407	S	*	2/2019	Hsu	D14/447

* cited by examiner

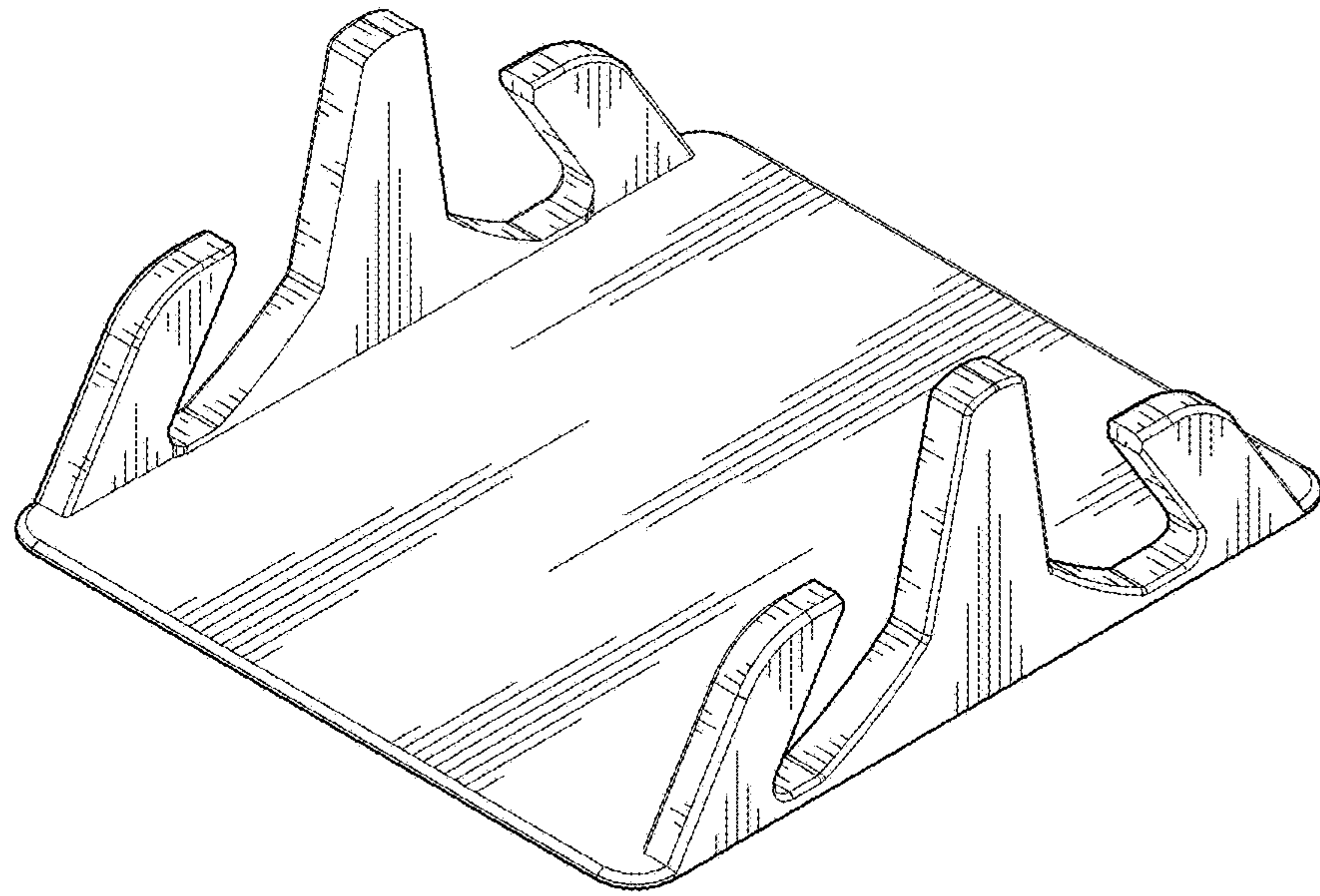


FIG. 1



FIG. 2



FIG. 3

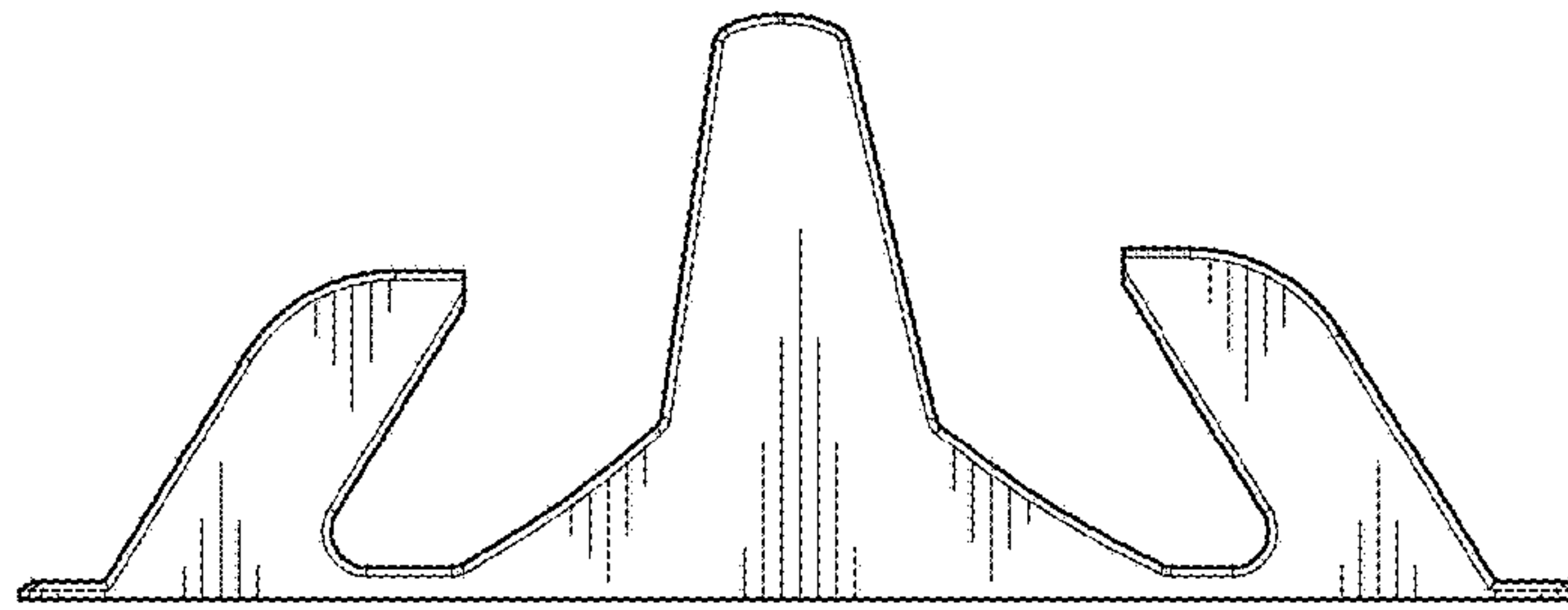


FIG. 4

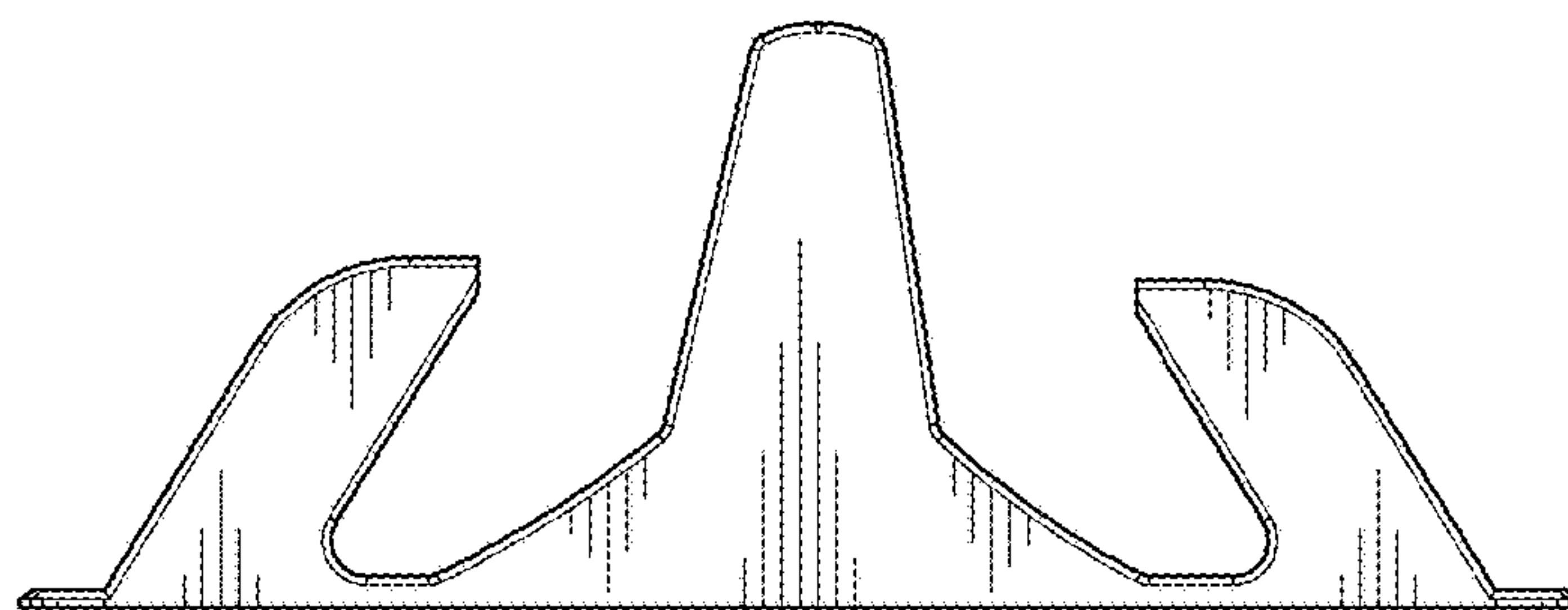


FIG. 5

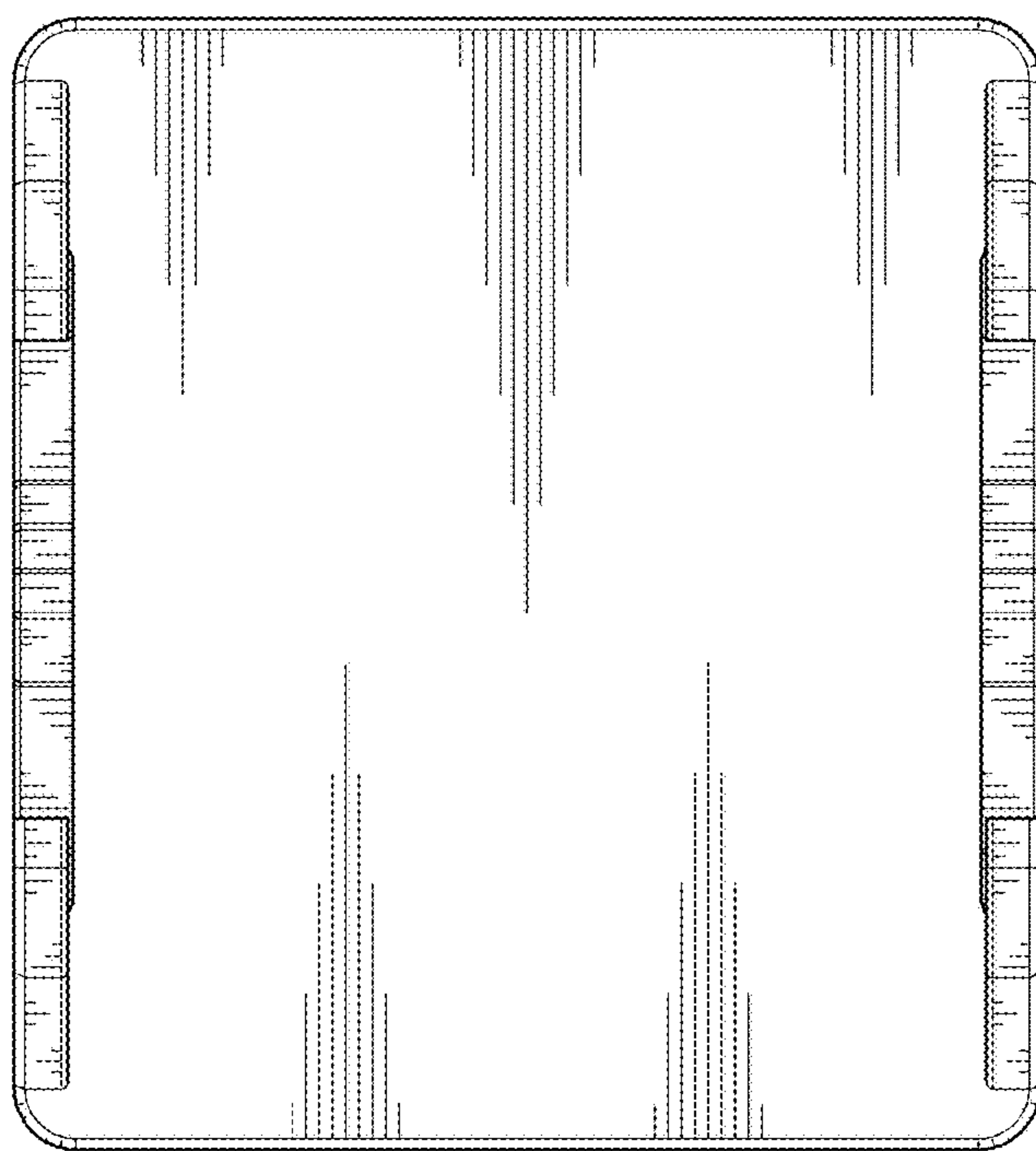


FIG. 6

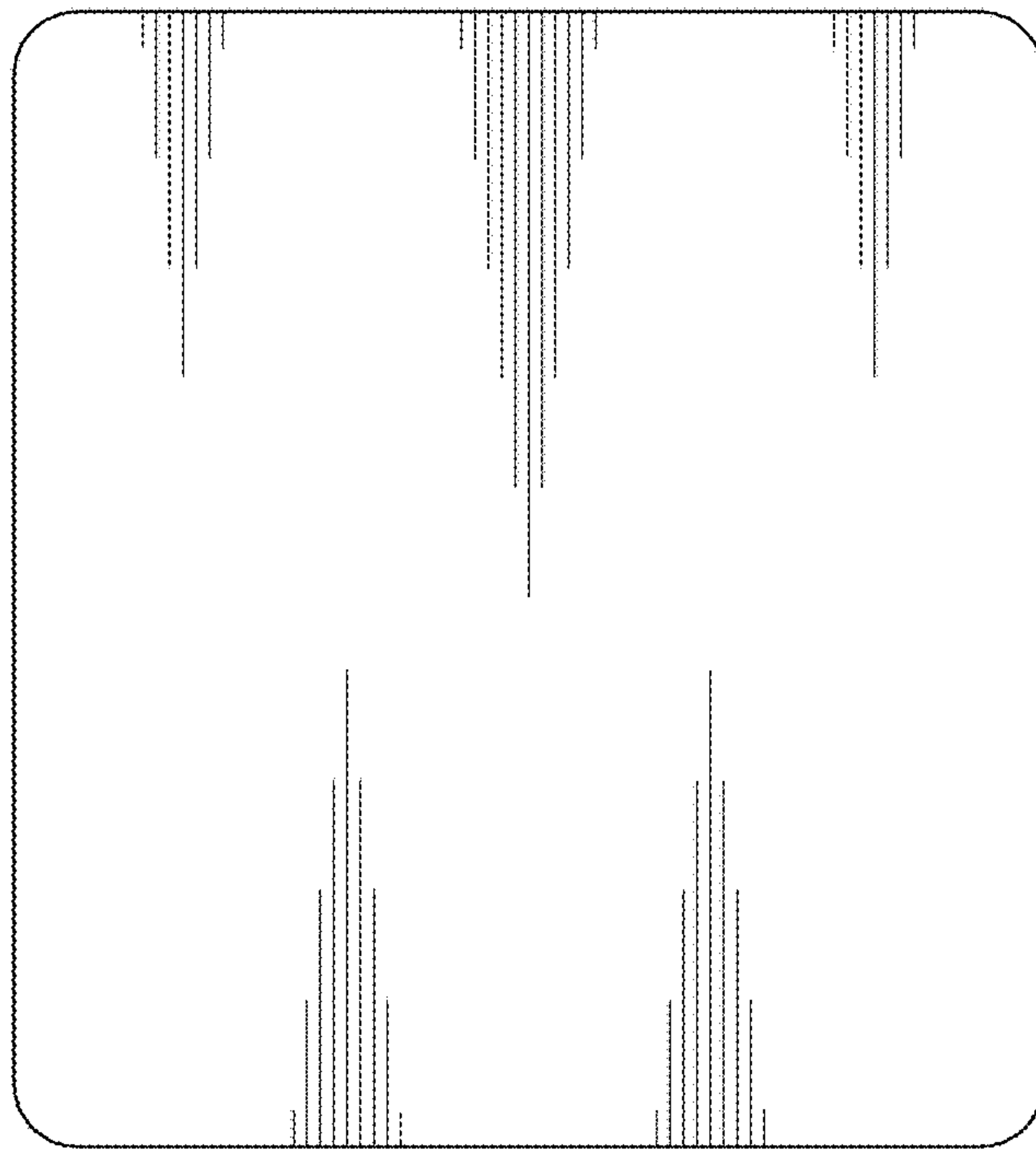


FIG. 7

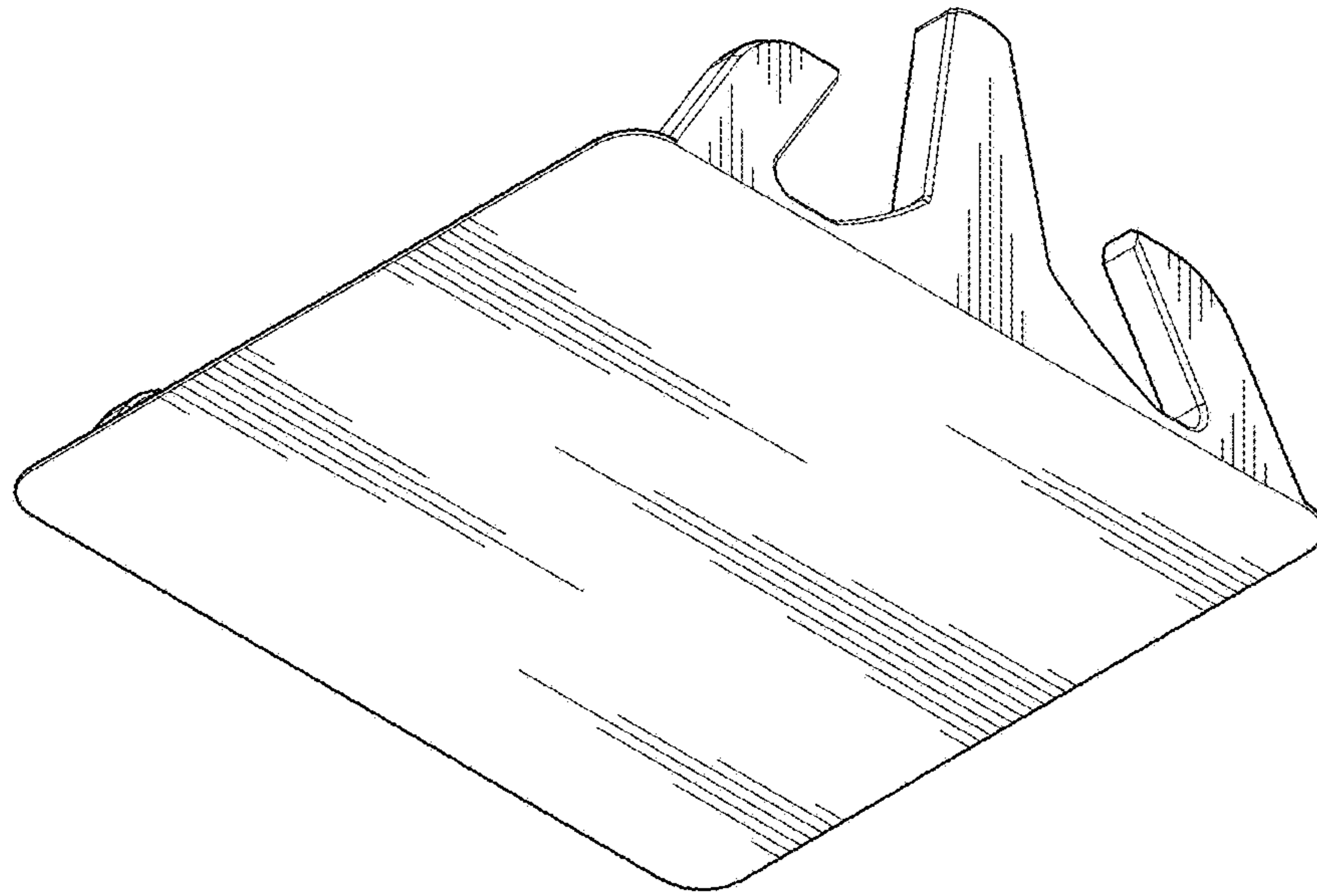


FIG. 8

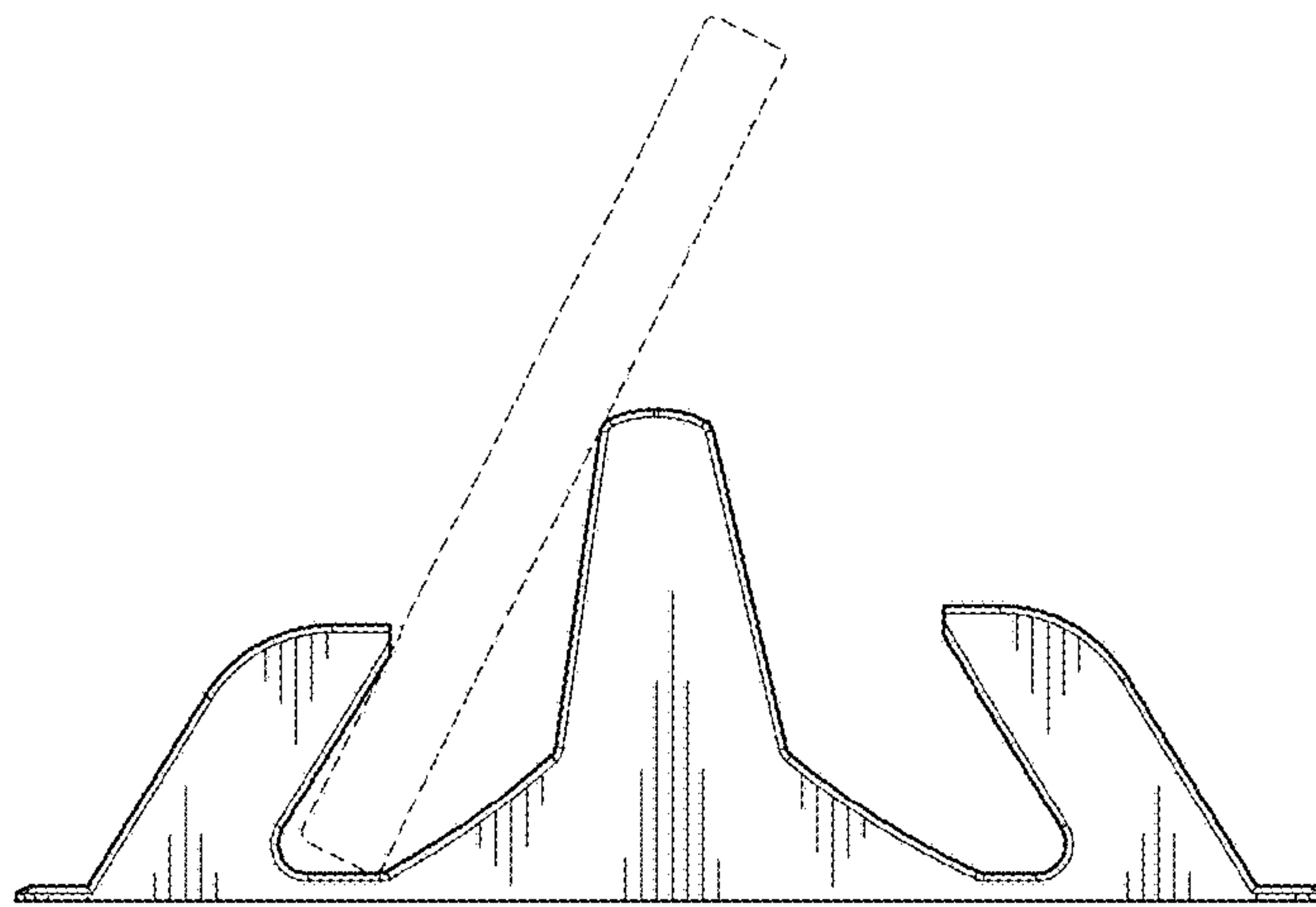


FIG. 9