



US00D856319S

(12) **United States Design Patent** (10) **Patent No.:** **US D856,319 S**
Deng (45) **Date of Patent:** **** Aug. 13, 2019**

(54) **PHONE CASE**

(71) Applicant: **Xiuhong Deng**, Guangdong Province (CN)

(72) Inventor: **Xiuhong Deng**, Guangdong Province (CN)

(**) Term: **15 Years**

(21) Appl. No.: **29/572,638**

(22) Filed: **Jul. 28, 2016**

(51) **LOC (12) Cl.** **14-03**

(52) **U.S. Cl.**
USPC **D14/250**

(58) **Field of Classification Search**
USPC D14/439, 203.3–203.7, 447, 238.1, D14/251–253, 217, 240, 250, 440, 248; D3/201, 218, 247, 269, 273, 301, 303; D13/107–108, 103, 119
CPC H04B 1/3888; H04M 1/0283; H04M 1/0202; A45C 1/06; A45C 11/00; A45C 13/02; A45C 2011/002; A45F 2005/026; A45F 2200/0525; A45F 2200/0516
See application file for complete search history.

(56) **References Cited**

U.S. PATENT DOCUMENTS

- D551,854 S * 10/2007 Collins D3/218
- D574,836 S * 8/2008 Koh D14/440
- D602,894 S * 10/2009 Lepoultier D14/138 AB
- D632,682 S * 2/2011 Fahrendorff D14/250
- D654,043 S * 2/2012 Pan D14/138 AA
- D667,394 S * 9/2012 Bau D14/132
- D671,932 S * 12/2012 Azoulay D14/250
- D685,785 S * 7/2013 Seoc D14/353
- D687,427 S * 8/2013 Peterson D14/250

- D687,438 S * 8/2013 Lu D14/440
- D693,823 S * 11/2013 Chen D14/440
- D712,892 S * 9/2014 Hong D14/250
- D713,847 S * 9/2014 Su D14/440
- D716,044 S * 10/2014 Wilk D3/247
- D716,280 S * 10/2014 Macrina D14/250
- D737,522 S * 8/2015 Lavigne D28/76
- D743,967 S * 11/2015 Huang D14/440
- D764,451 S * 8/2016 Hung D14/250
- D780,742 S * 3/2017 Guerdrum D14/250
- D790,525 S * 6/2017 Kellogg A45C 11/00
- D808,943 S * 1/2018 Kamalandua Makasi ... D14/250
- 2013/0323579 A1 * 12/2013 Hwang H01M 2/0404

* cited by examiner

Primary Examiner — Carla J Wright

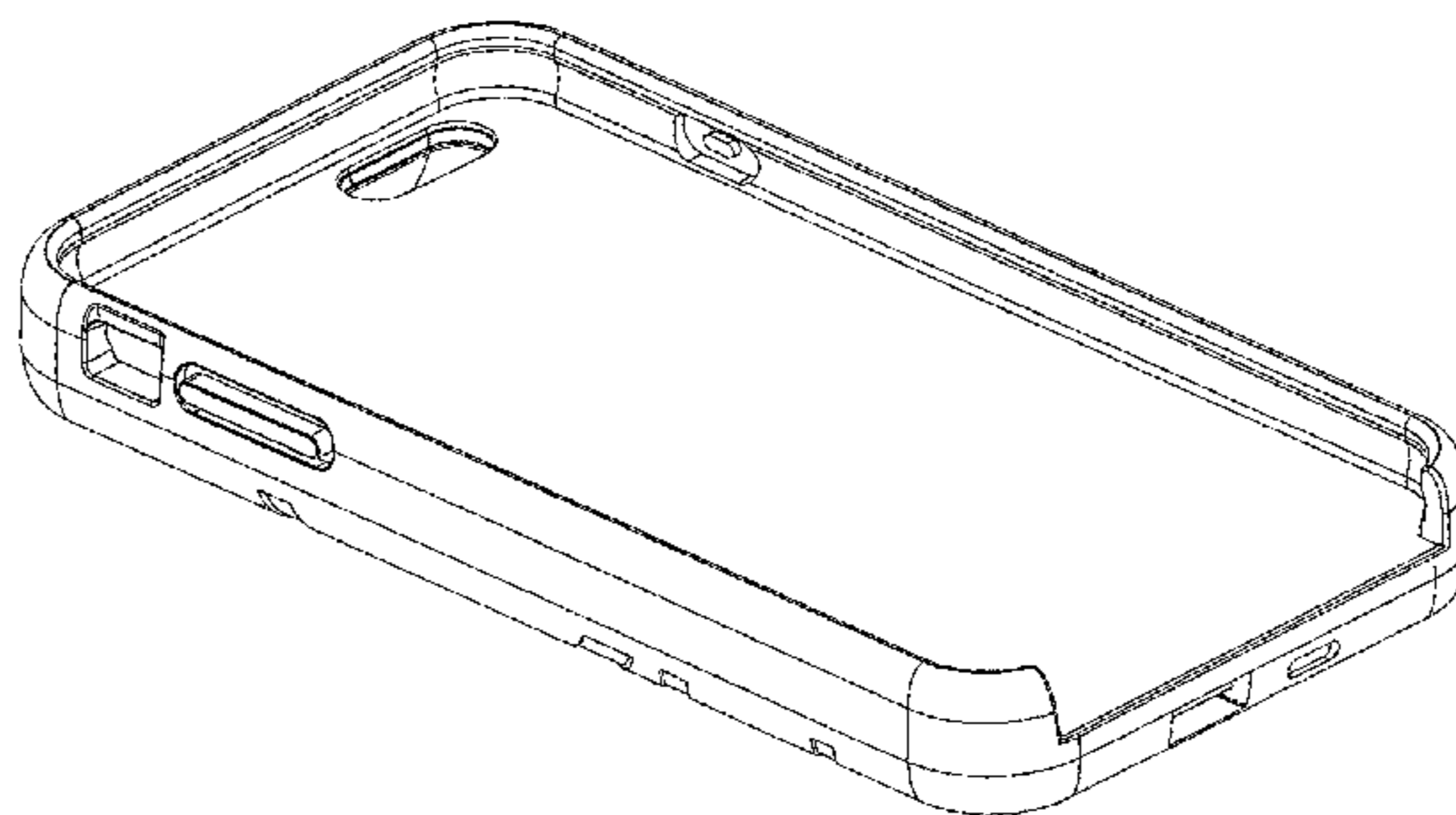
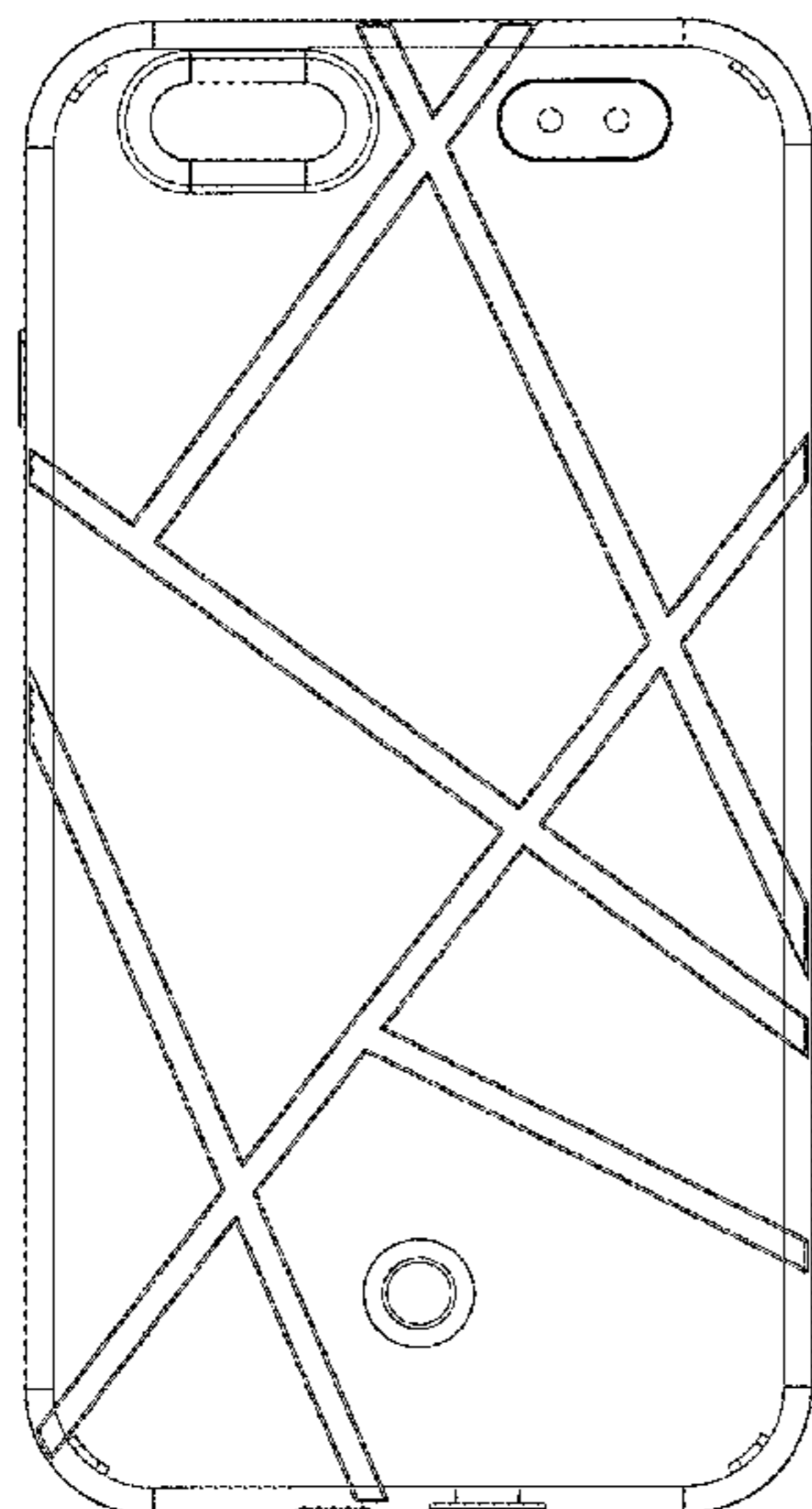
(57) **CLAIM**

The ornamental design for a phone case, as shown and described.

DESCRIPTION

FIG. 1 is a front elevational view of a phone case showing my new design;
 FIG. 2 is a rear elevational view thereof;
 FIG. 3 is a left side view thereof;
 FIG. 4 is a right side view thereof;
 FIG. 5 is a top plan view thereof;
 FIG. 6 is a bottom plan view thereof;
 FIG. 7 is a front, bottom, and left-side perspective view thereof;
 FIG. 8 is a front, top, and left-side perspective view thereof;
 FIG. 9 is a rear, bottom, and right-side perspective view thereof; and,
 FIG. 10 is a rear, top, and right-side perspective view thereof.

1 Claim, 10 Drawing Sheets



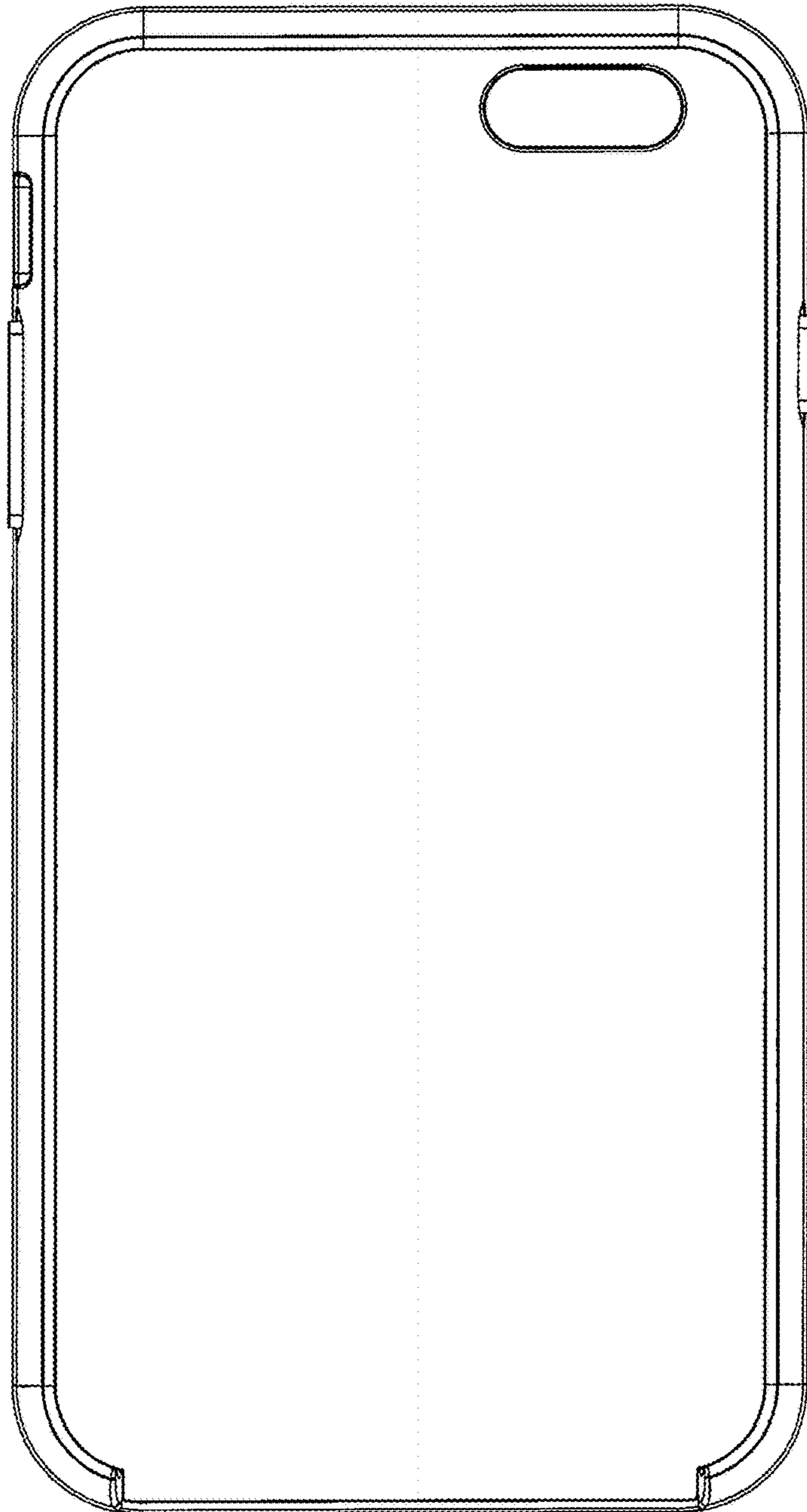


Fig. 1

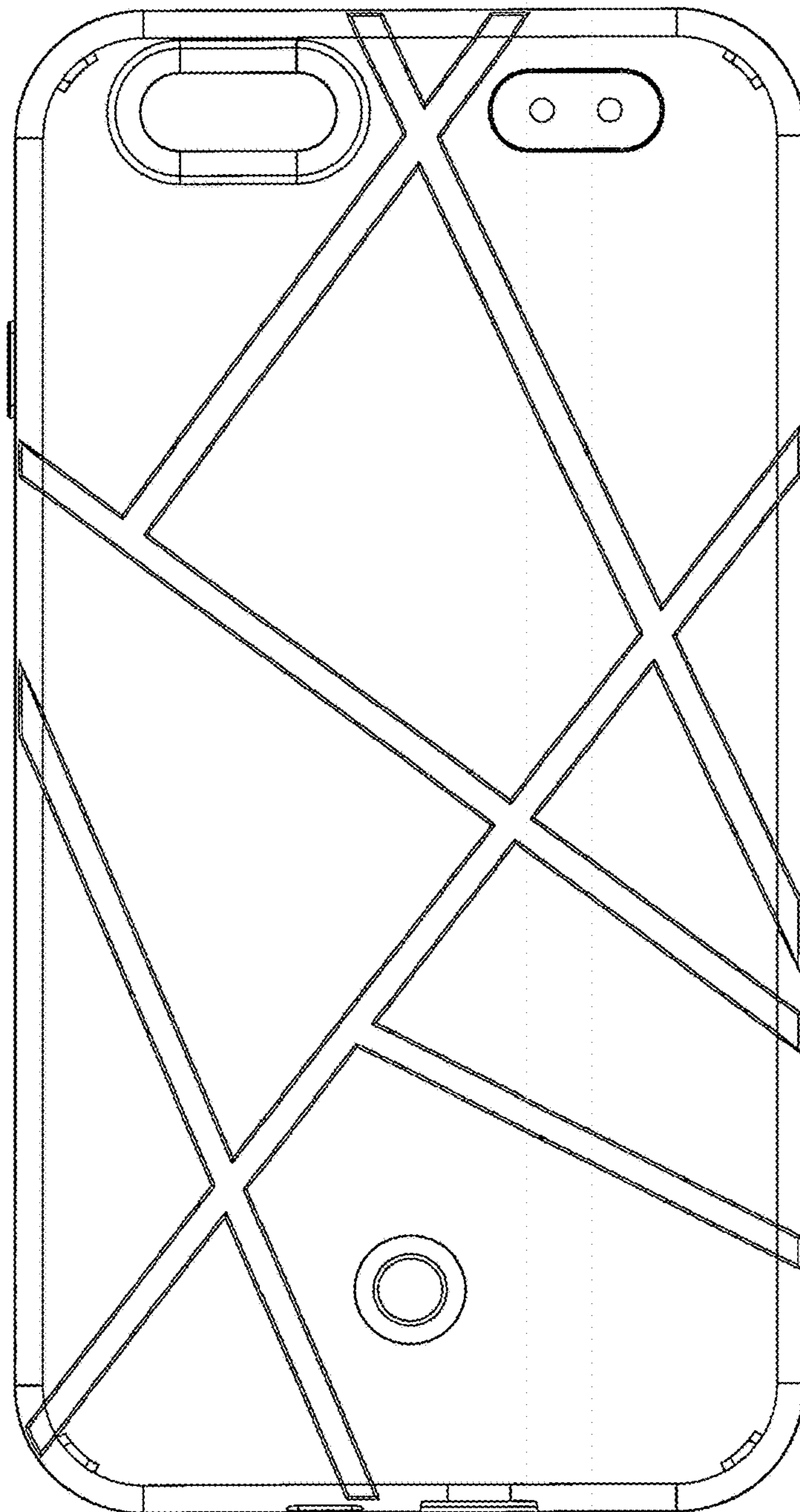


Fig. 2

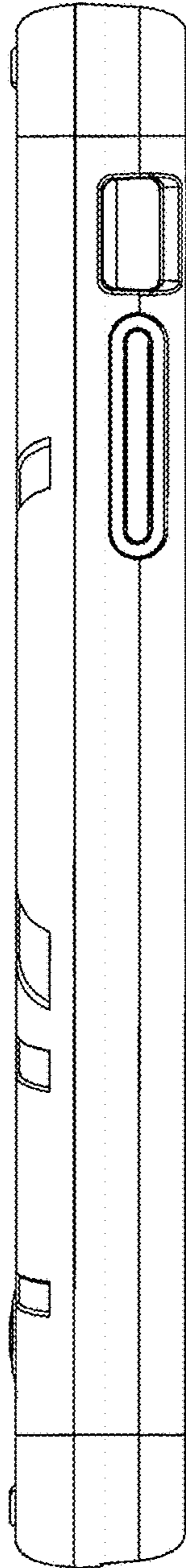


Fig. 3

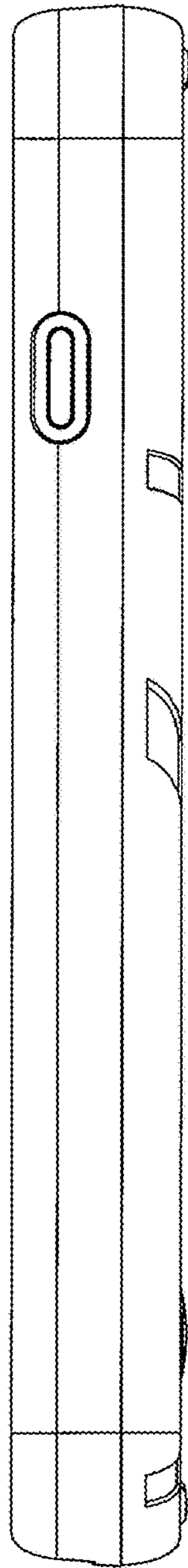


Fig. 4

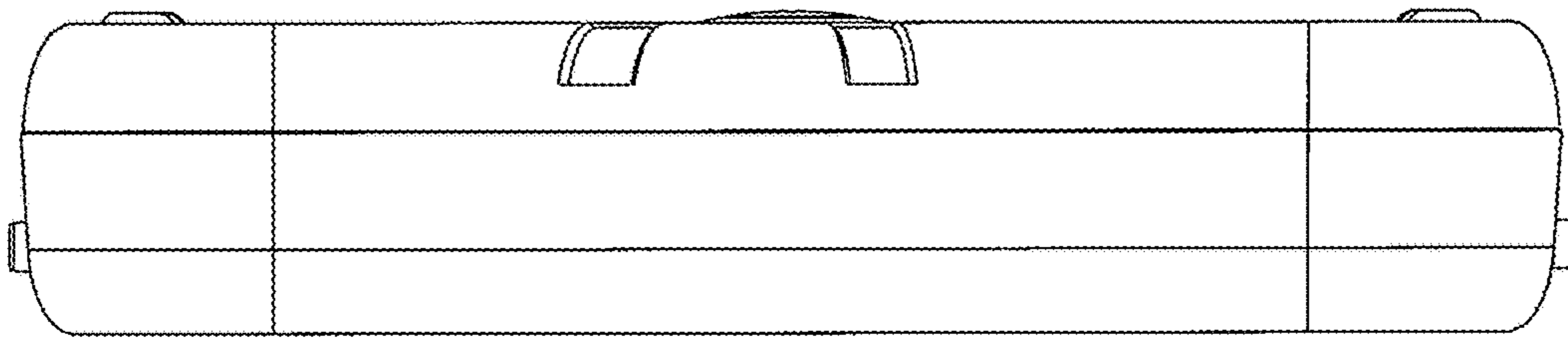


Fig. 5

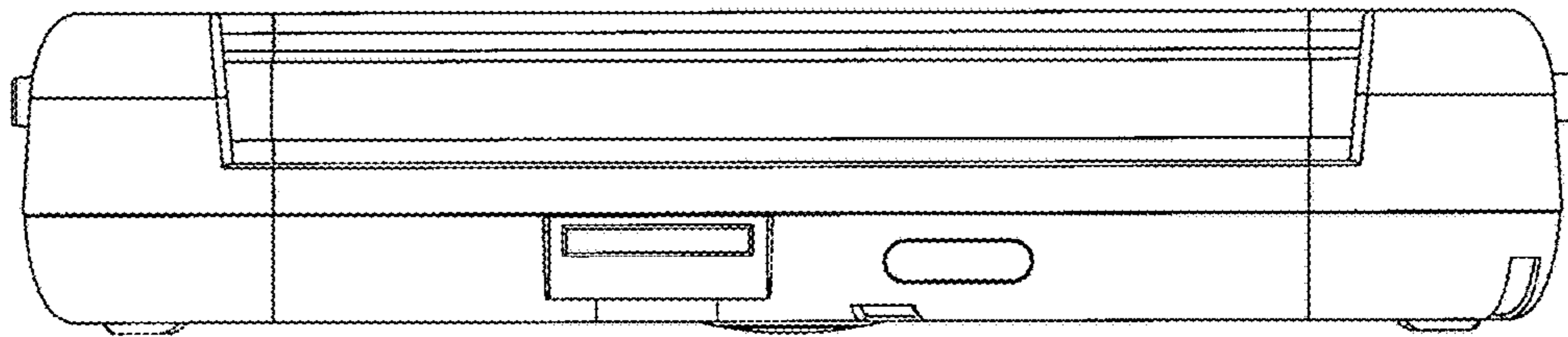


Fig. 6

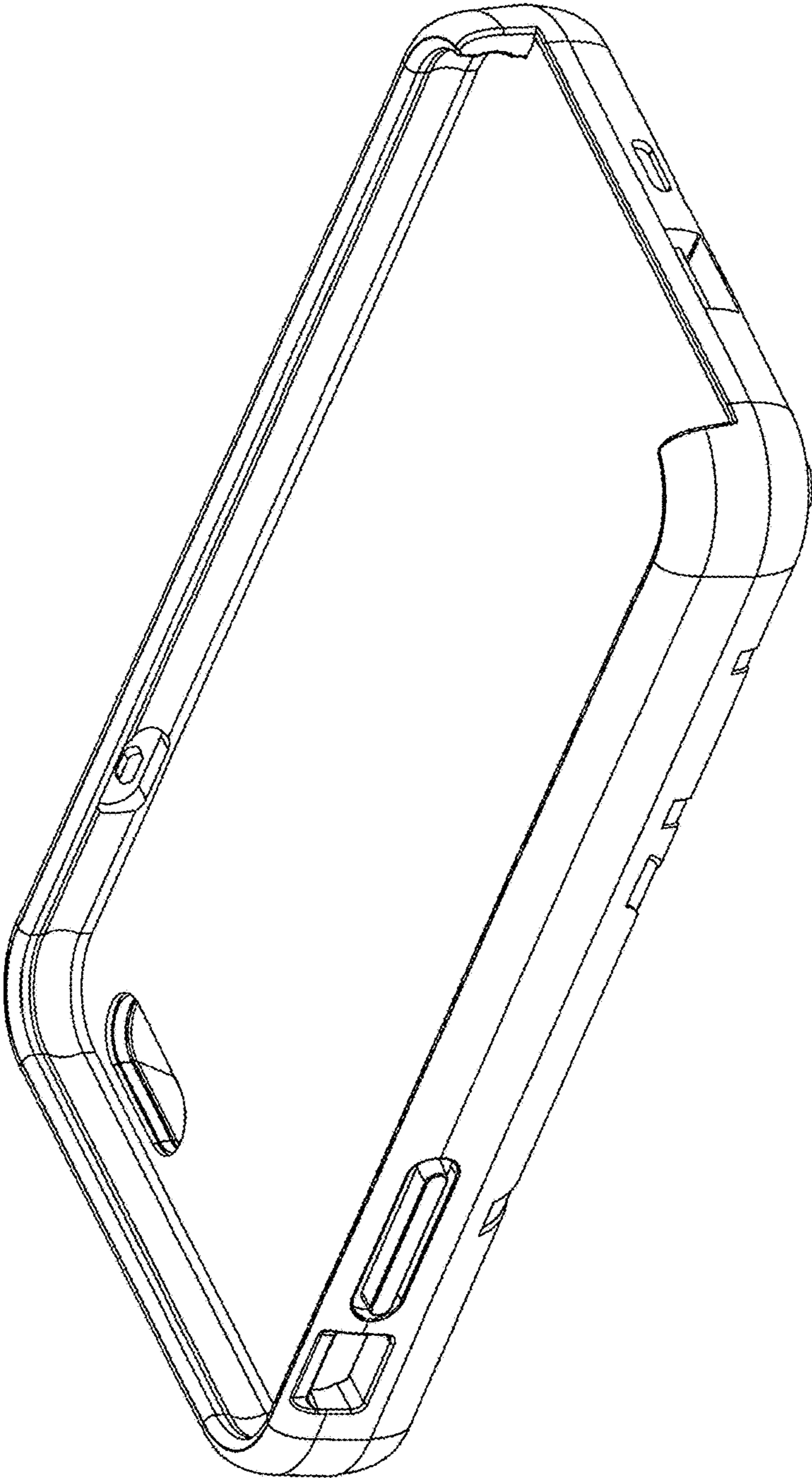


Fig. 7

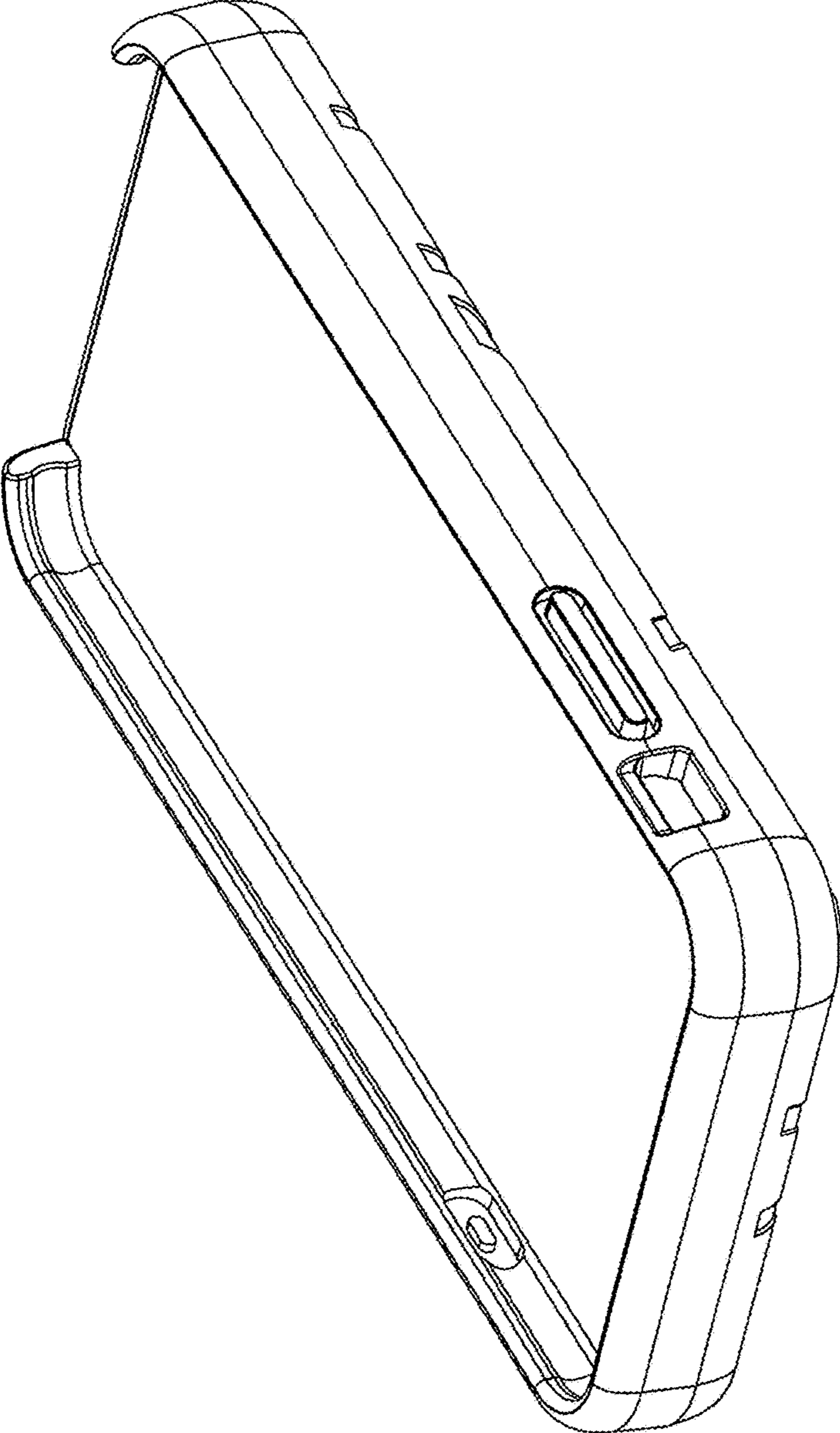


Fig. 8

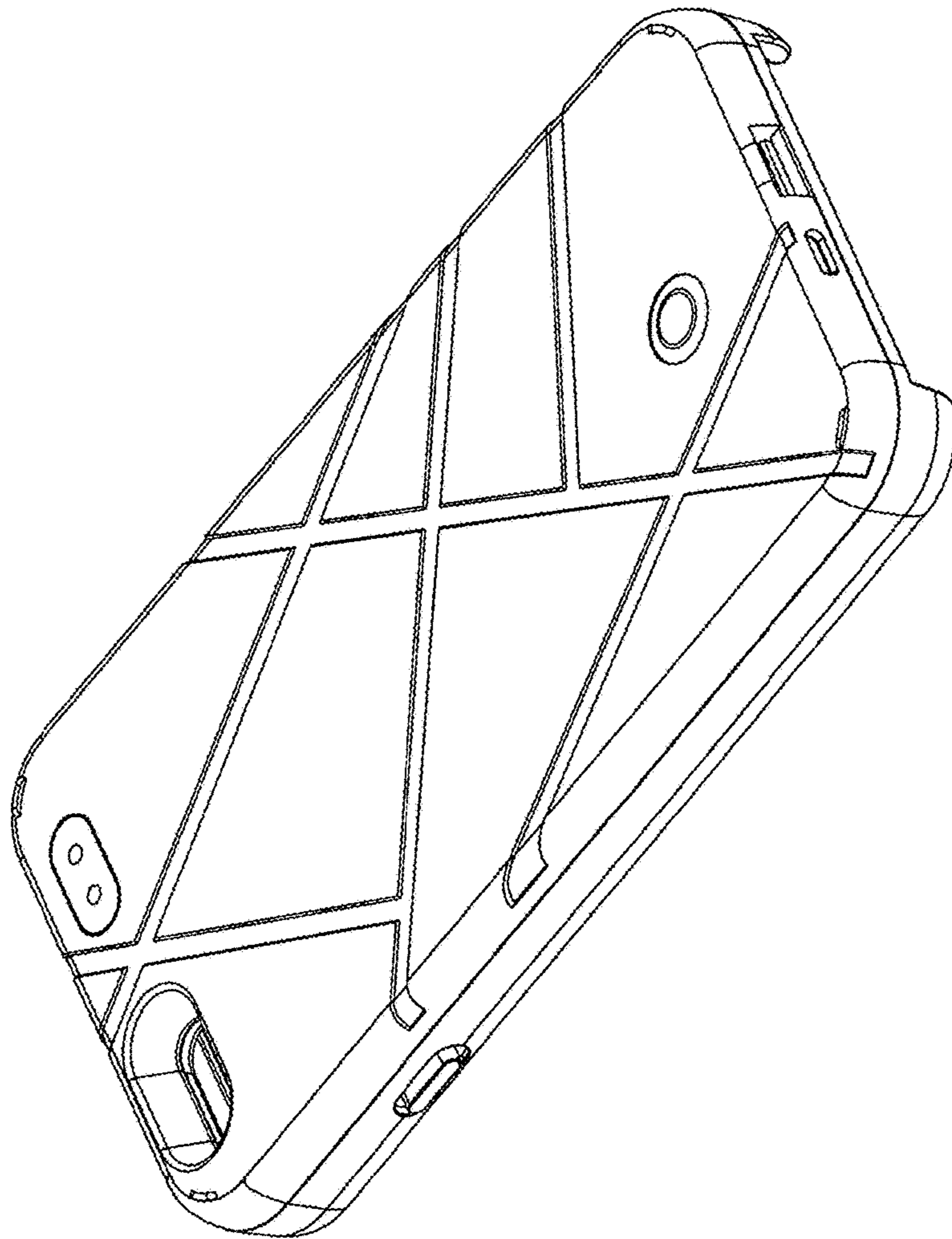


Fig. 9

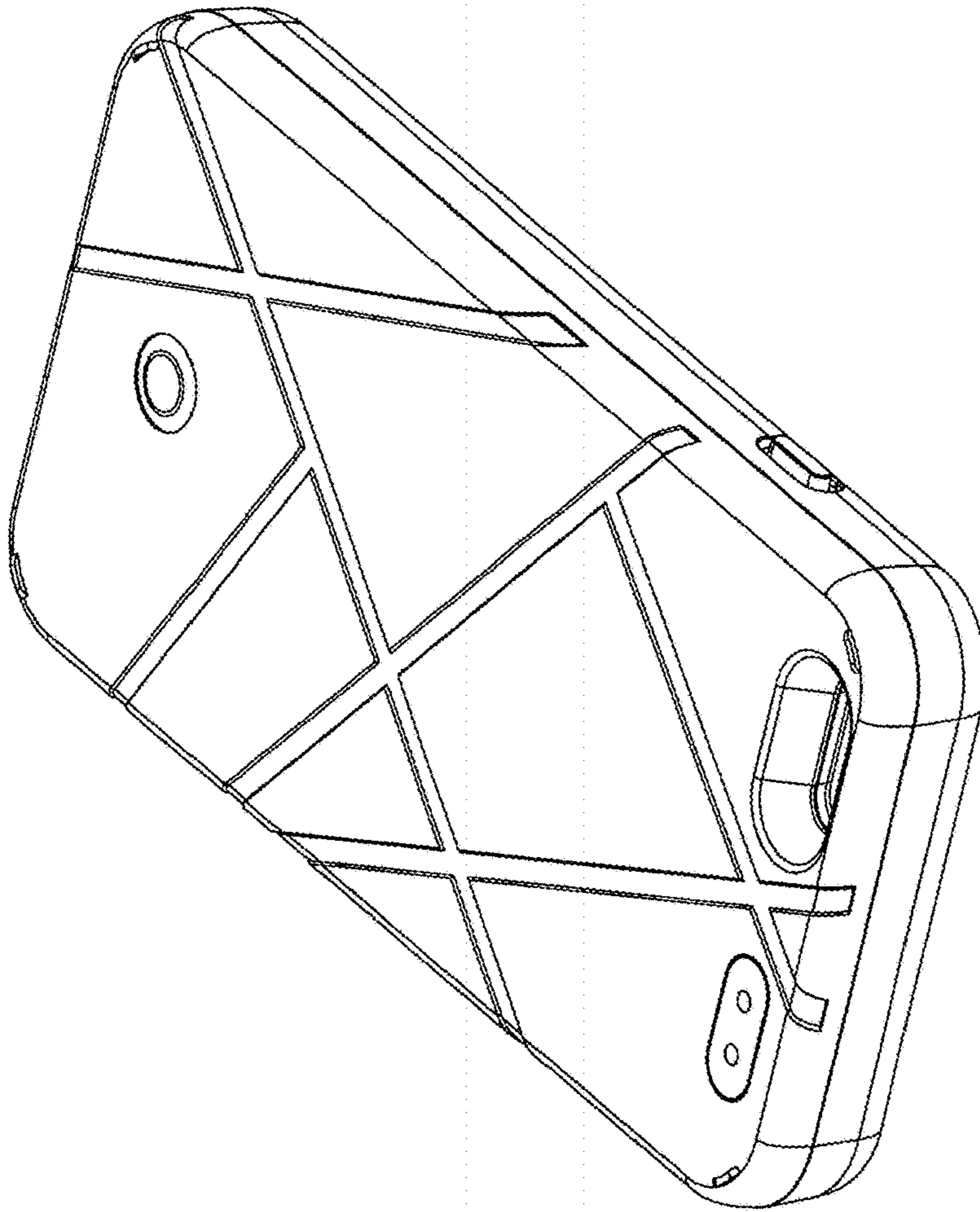


Fig. 10