



US00D856317S

(12) **United States Design Patent**
Bone et al.

(10) **Patent No.:** **US D856,317 S**

(45) **Date of Patent:** **** Aug. 13, 2019**

(54) **WIRELESS ROUTER**

(71) Applicants: **Martin Bone**, Cornwall on Hudson, NY (US); **Gregory Germe**, Cornwall on Hudson, NY (US)

(72) Inventors: **Martin Bone**, Cornwall on Hudson, NY (US); **Gregory Germe**, Cornwall on Hudson, NY (US)

(73) Assignee: **FON WIRELESS LIMITED** (GB)

(**) Term: **15 Years**

(21) Appl. No.: **29/563,902**

(22) Filed: **May 9, 2016**

Related U.S. Application Data

(63) Continuation of application No. 29/499,487, filed on Aug. 15, 2014, now abandoned.

(30) **Foreign Application Priority Data**

Feb. 20, 2014 (EM) 002408781

(51) **LOC (12) Cl.** **14-03**

(52) **U.S. Cl.**
USPC **D14/242**

(58) **Field of Classification Search**

USPC D14/242, 240, 355, 357, 358, 125, D14/140-140.9, 155, 137, 139, 243, 239, D14/433, 314, 496, 188, 348, 351, 356
CPC H04L 12/00; H03K 17/00; H04W 88/00; H04W 88/005; H04W 88/02; H04W 88/08; H04W 88/085; H04W 88/10; H04W 88/12; H04W 88/14; H04B 1/38
See application file for complete search history.

(56) **References Cited**

U.S. PATENT DOCUMENTS

D504,904 S * 5/2005 Nagai D16/203
D585,060 S * 1/2009 Han D14/358

D598,906 S * 8/2009 Chiba D14/240
D671,115 S * 11/2012 Phillips D14/301
D705,748 S * 5/2014 He D14/155
D713,405 S * 9/2014 Akana D14/349
D718,631 S * 12/2014 Pascalie D9/418
D720,347 S * 12/2014 Lo D14/348

(Continued)

OTHER PUBLICATIONS

YouTube. <URL: <https://www.youtube.com/watch?v=17dsSkV1oJs>> Apr. 15, 2014. The Next Web Gramofon device interview.*

Primary Examiner — Susan Bennett Hattan

Assistant Examiner — Lauren D McVey

(74) *Attorney, Agent, or Firm* — Ostrolenk Faber LLP

(57) **CLAIM**

The ornamental design for a wireless router, as shown and described.

DESCRIPTION

FIG. 1 is a front, top and first side perspective view of a wireless router showing our new design;

FIG. 2 is a top and first side perspective view thereof, the top and second side perspective view being a mirror image thereof;

FIG. 3 is a rear, top and second side perspective view thereof;

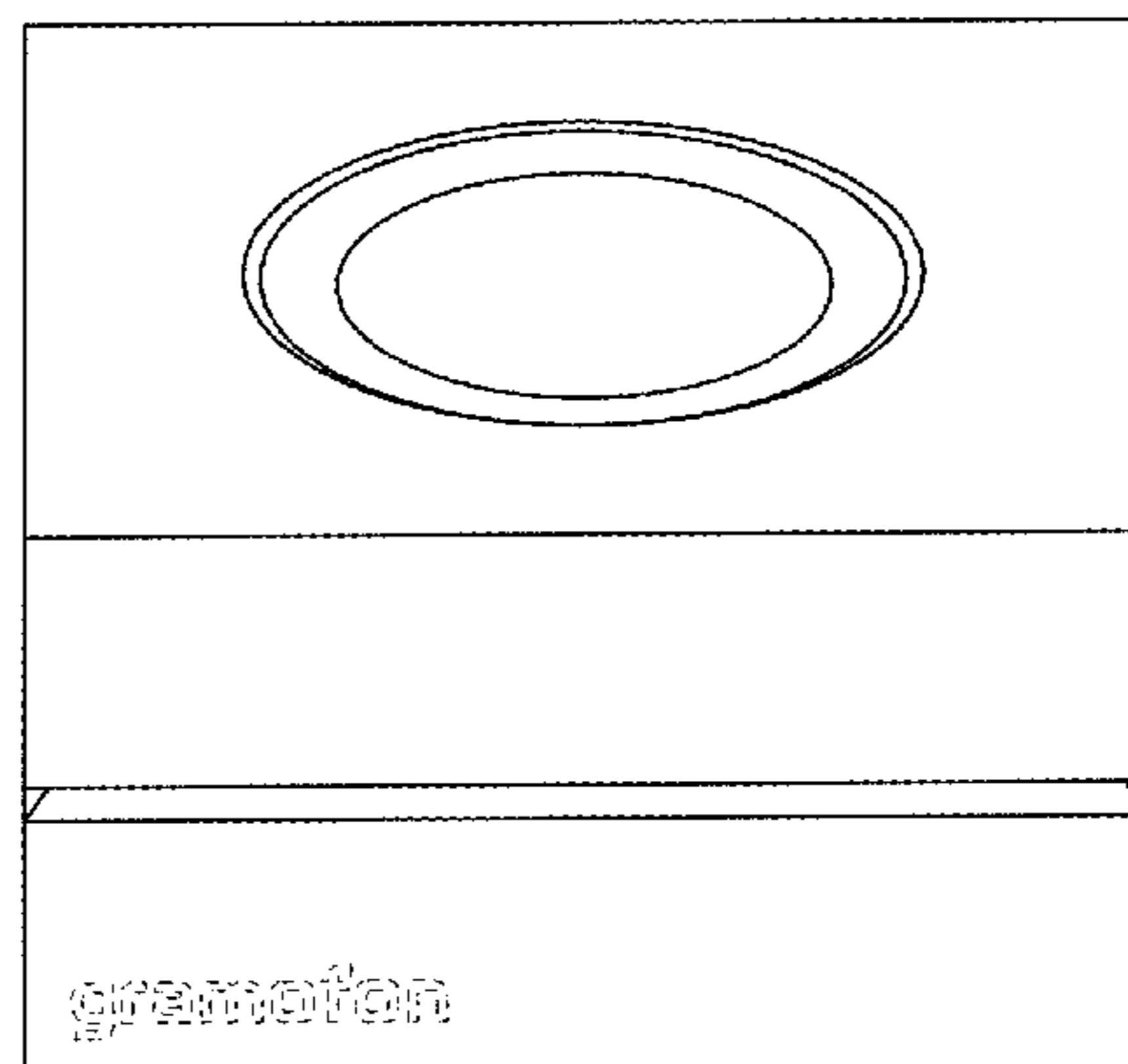
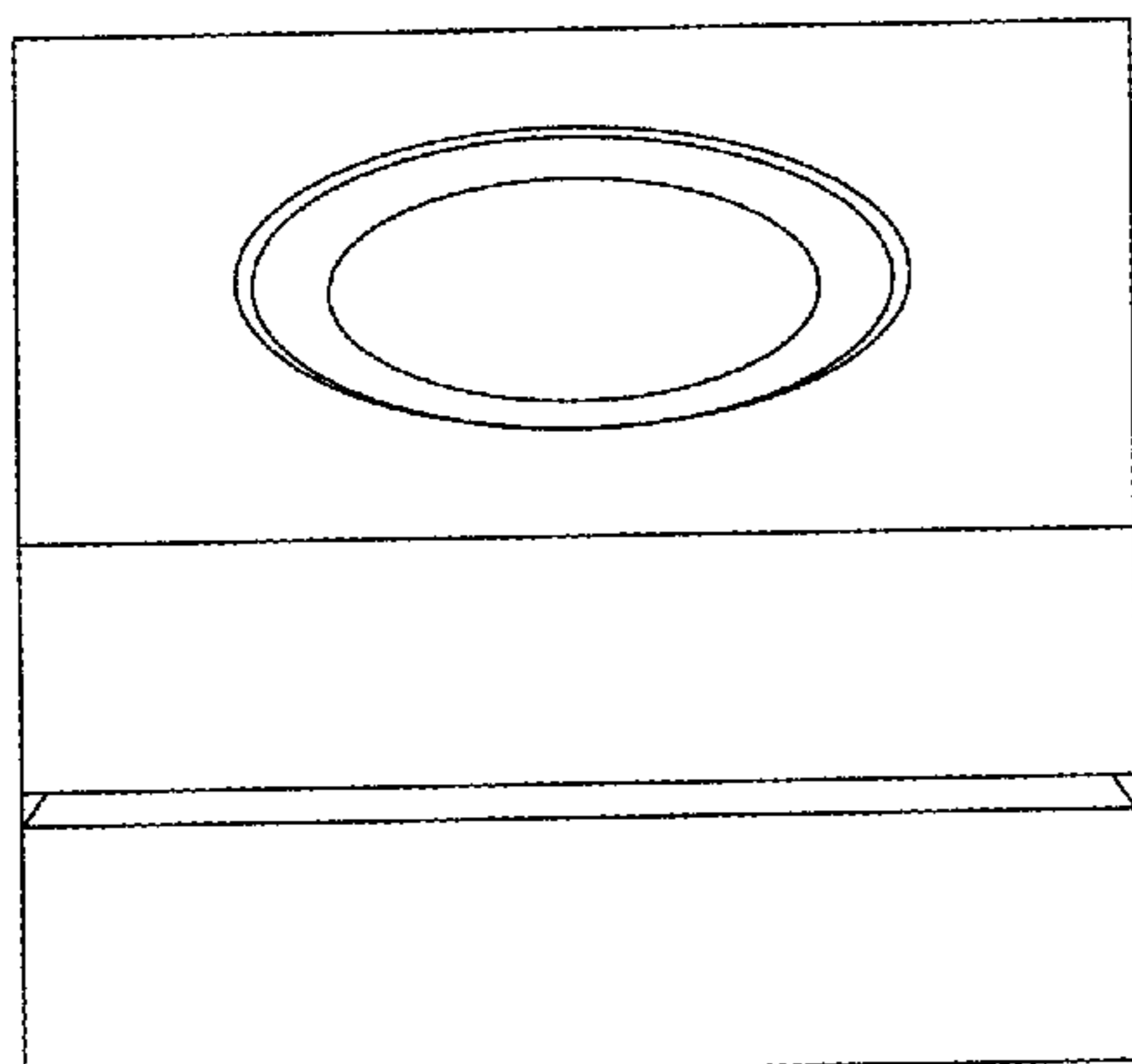
FIG. 4 is a front and top perspective view thereof;

FIG. 5 is a bottom view thereof; and,

FIG. 6 is a rear view thereof.

The broken lines immediately adjacent the claim represent the bounds of the claimed design while all other broken lines are directed to environment and are for illustrative purposes only; the broken lines form no part of the claimed design. The trademark forming part of the claimed design is a registered trademark of Fon Wireless Limited COMPANY UNITED KINGDOM.

1 Claim, 6 Drawing Sheets



(56)

References Cited

U.S. PATENT DOCUMENTS

D722,053	S	*	2/2015	Wang	D14/358
D738,870	S	*	9/2015	Ding	D14/240
D739,452	S	*	9/2015	Adams	D16/203
D764,460	S	*	8/2016	Veja	D14/358
D768,607	S	*	10/2016	Altonen	D14/240
2011/0123189	A1	*	5/2011	Saito	G03B 17/02 396/535

* cited by examiner

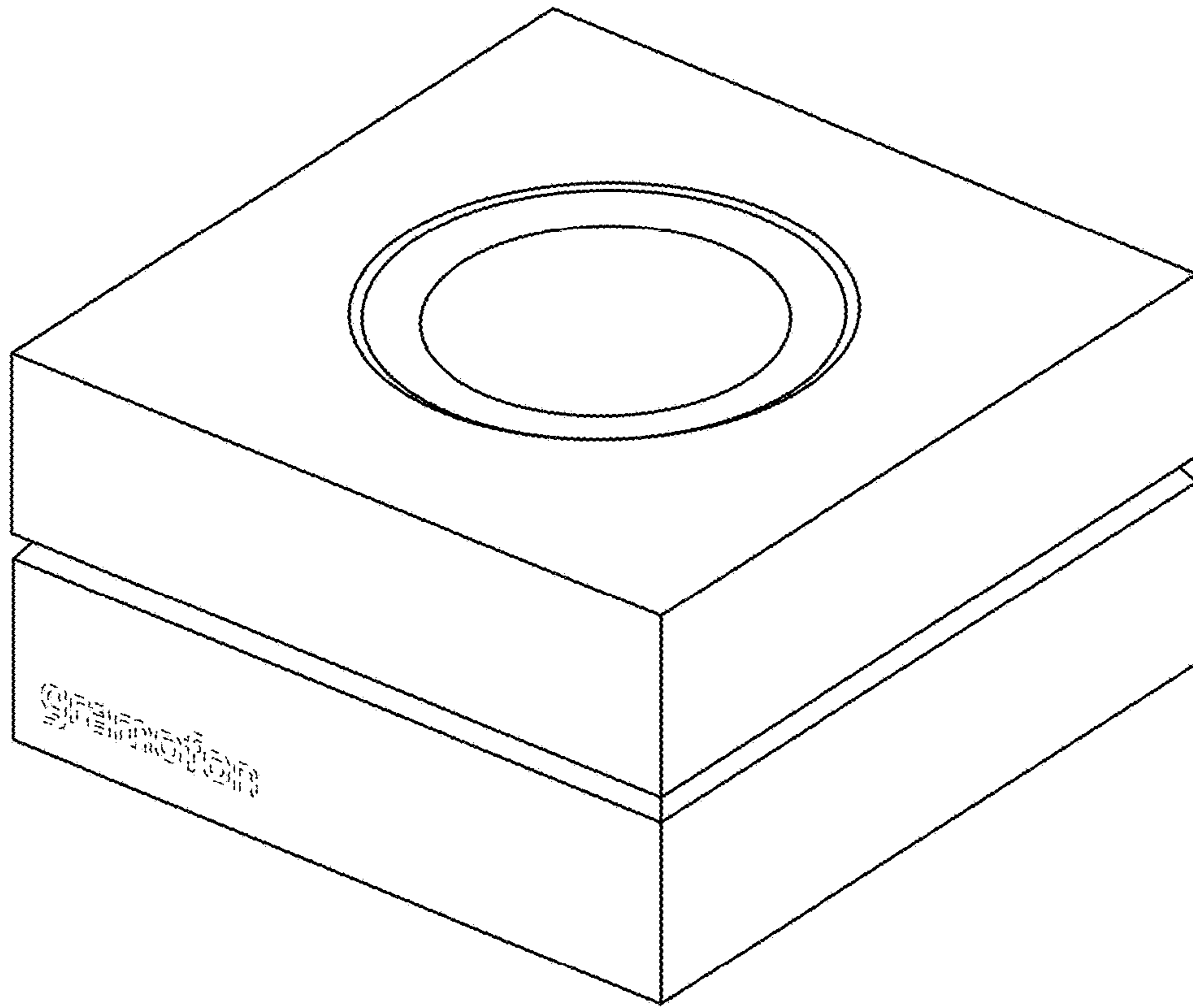


FIG. 1

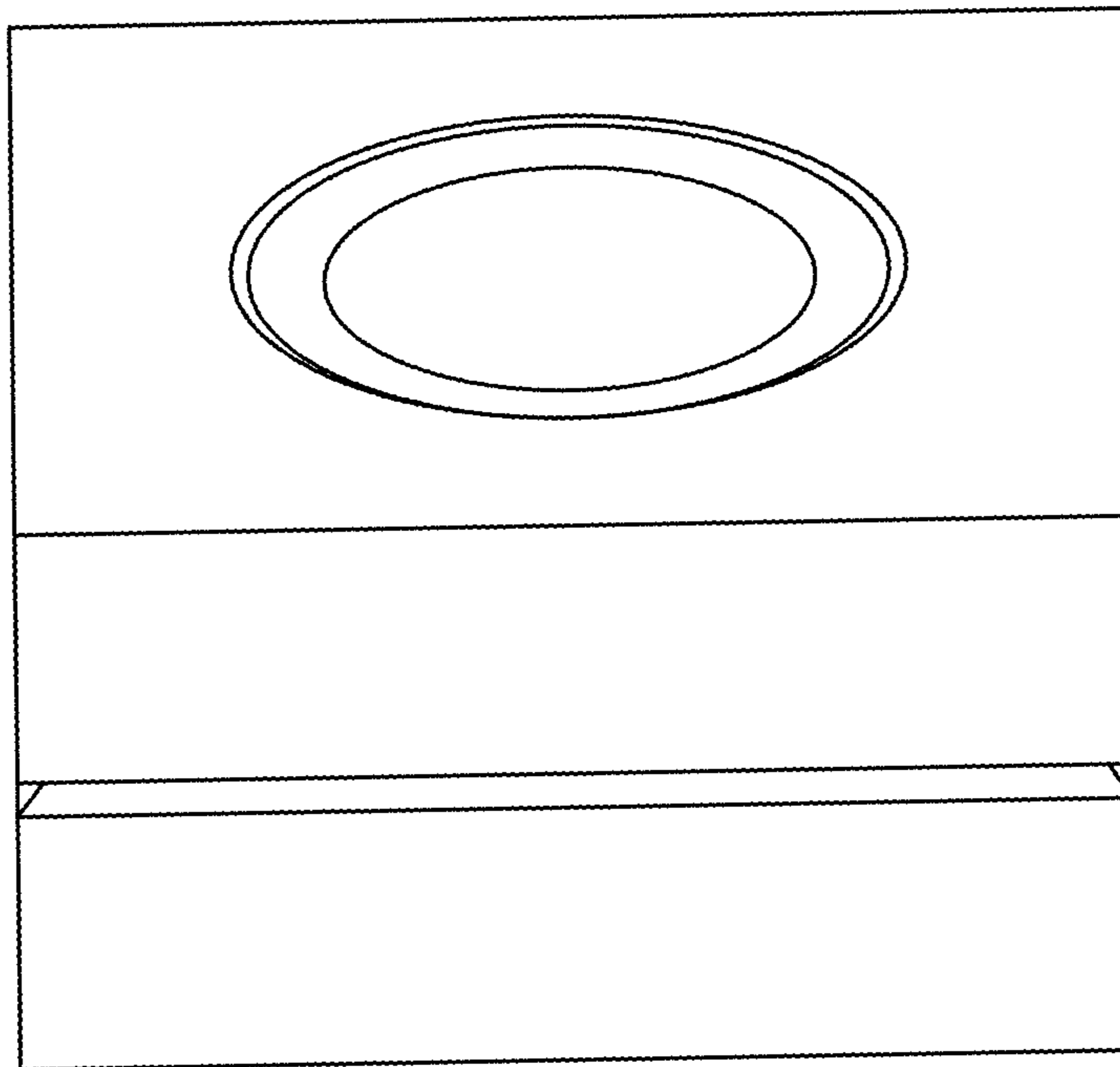


FIG. 2

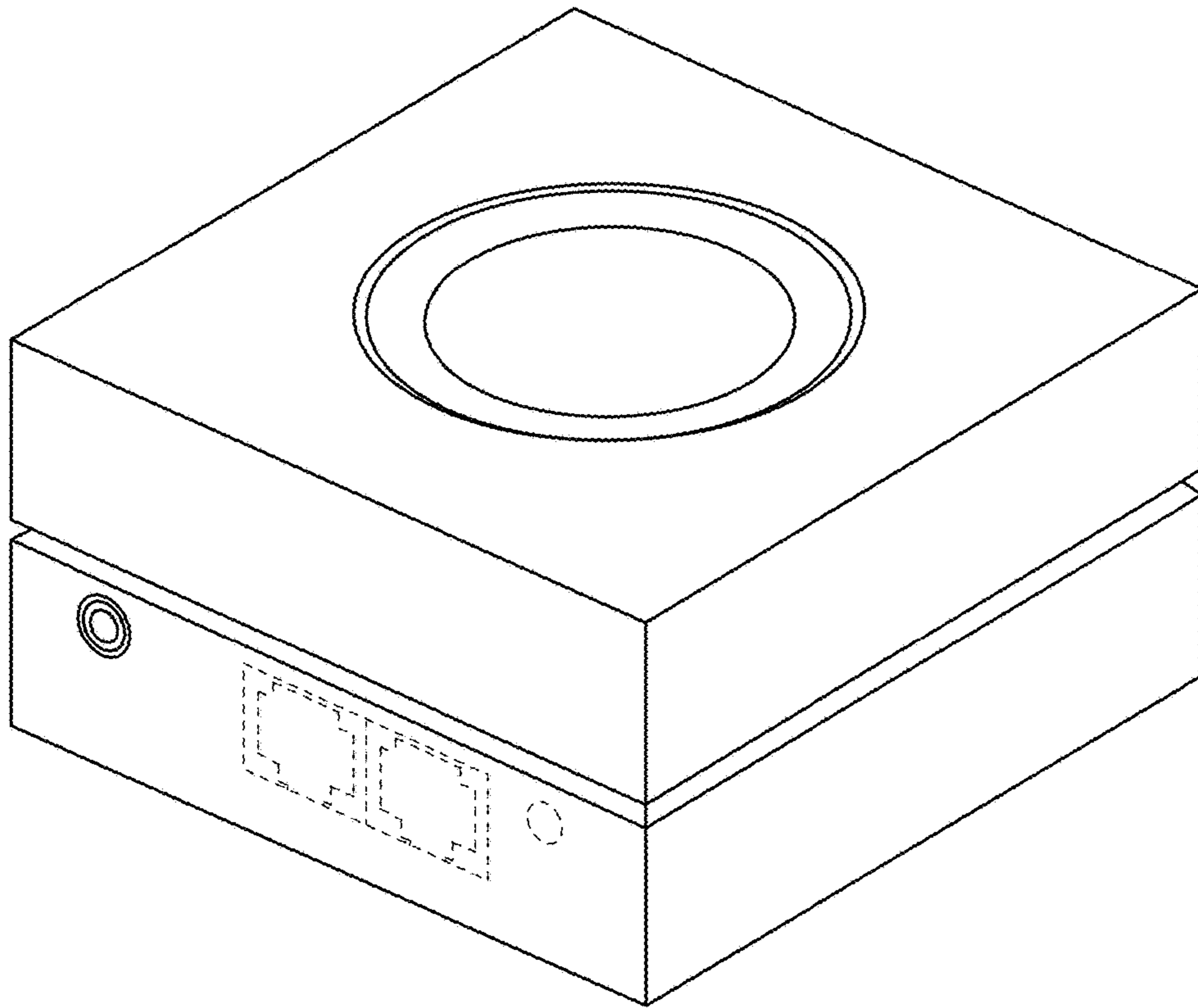


FIG. 3

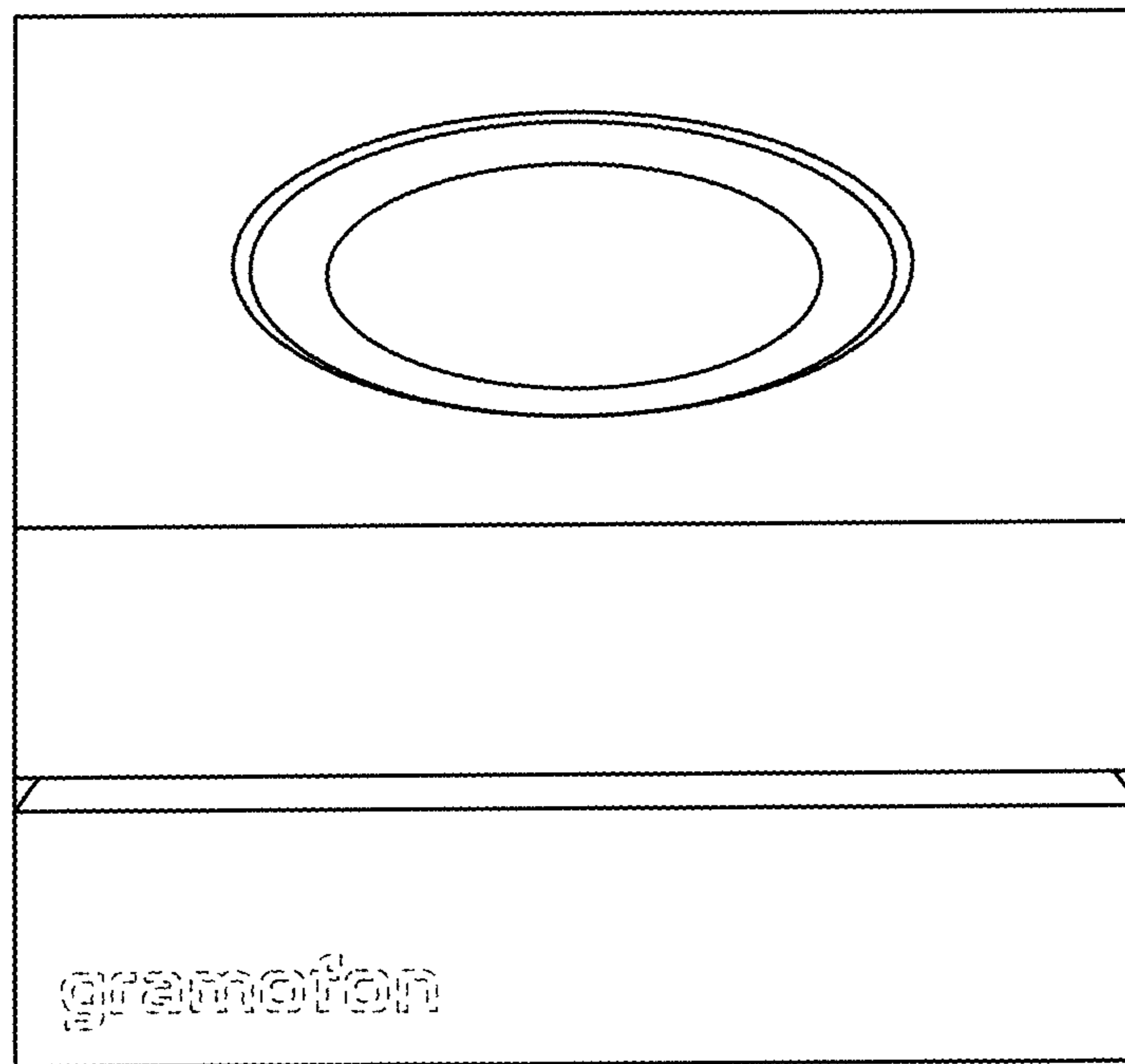


FIG. 4

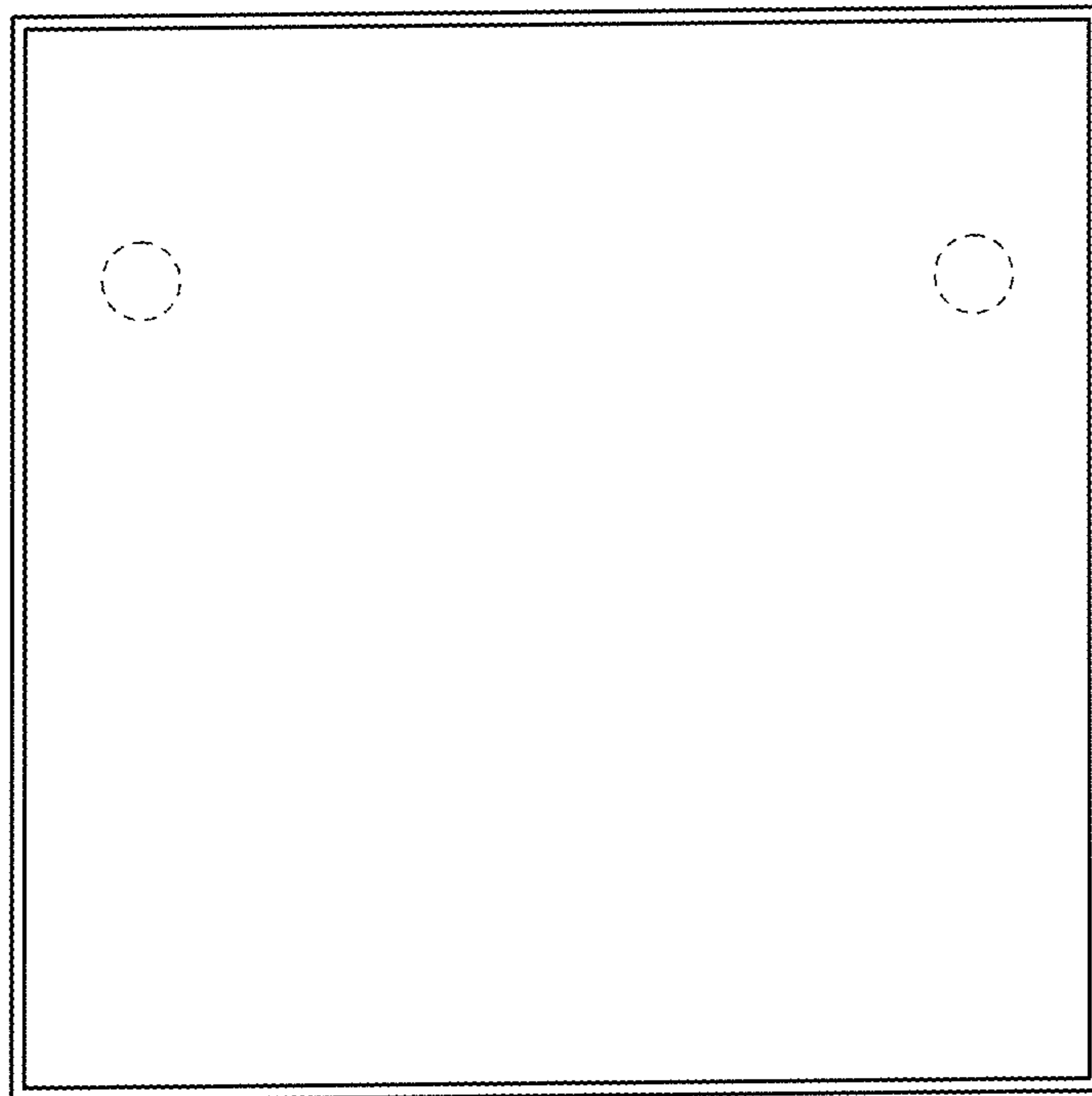


FIG. 5

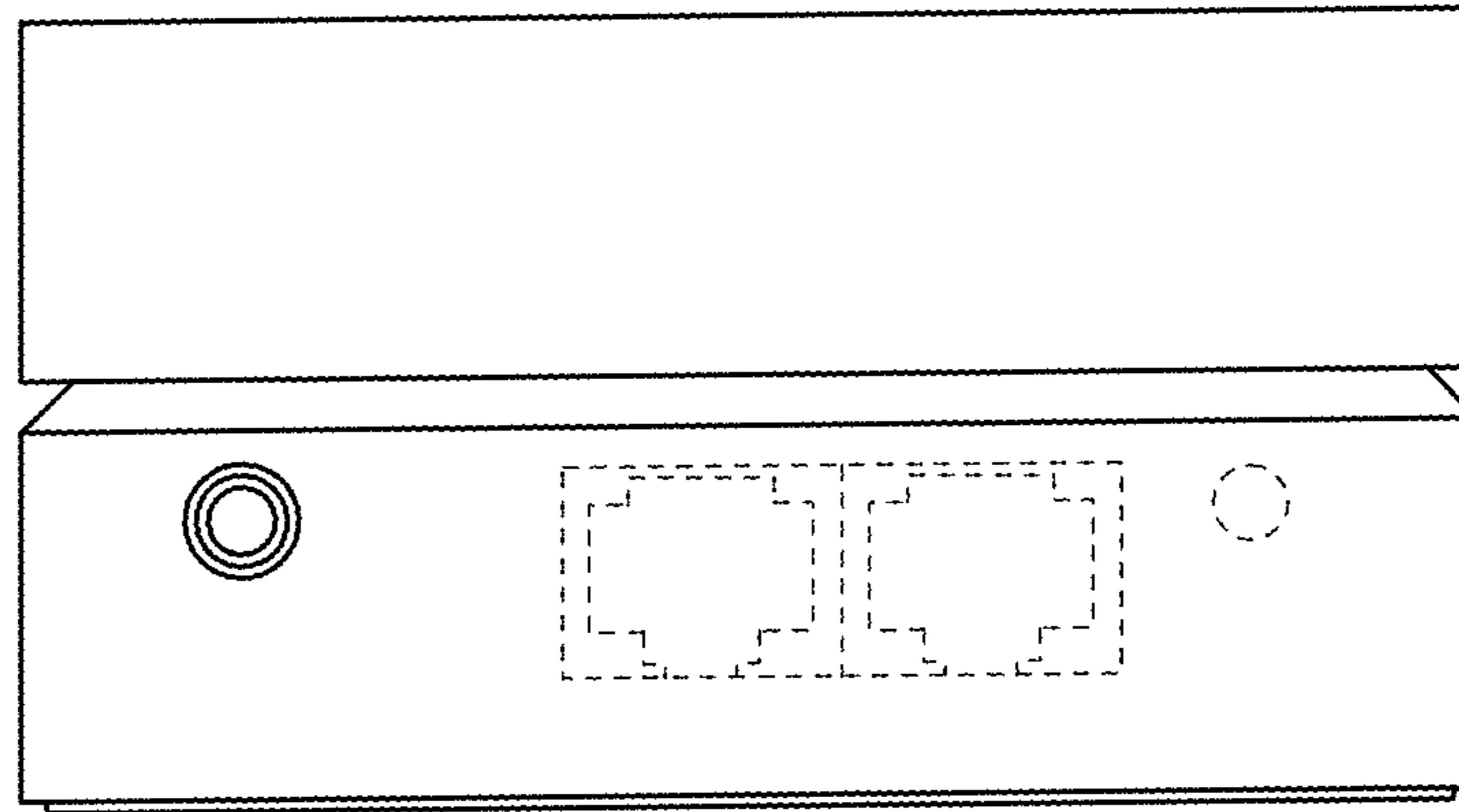


FIG. 6