



US00D856312S

(12) **United States Design Patent** (10) **Patent No.:** **US D856,312 S**  
**Iellici** (45) **Date of Patent:** **\*\* Aug. 13, 2019**

(54) **ANTENNA**

(71) Applicant: **Airgain Incorporated**, San Diego, CA (US)

(72) Inventor: **Devis Iellici**, Cambridge (GB)

(73) Assignee: **Airgain Incorporated**, San Diego, CA (US)

(\*\*) Term: **15 Years**

(21) Appl. No.: **29/611,927**

(22) Filed: **Jul. 26, 2017**

**Related U.S. Application Data**

(62) Division of application No. 29/582,300, filed on Oct. 26, 2016, now Pat. No. Des. 793,373.

(51) **LOC (12) Cl.** ..... **14-03**

(52) **U.S. Cl.**  
USPC ..... **D14/230**

(58) **Field of Classification Search**  
USPC ..... D14/138, 230-238, 299, 358; D12/42, D12/43

CPC ..... H01Q 7/00; H01Q 13/10; H01Q 9/285; H01Q 19/30; H01Q 19/12; H01Q 1/38; H01Q 1/36; H01Q 2/0027; H01Q 1/48; H01Q 9/045; H01Q 1/243; H04B 1/0475; H04B 1/034; H05K 11/00

See application file for complete search history.

(56) **References Cited**

**U.S. PATENT DOCUMENTS**

D603,851 S	*	11/2009	Montgomery	.....	D14/230
D610,132 S	*	2/2010	Kishler	.....	D14/230
D630,195 S	*	1/2011	Su	.....	D14/230
D633,483 S	*	3/2011	Su	.....	D14/230
D636,764 S	*	4/2011	Mi	.....	D14/230
D649,534 S	*	11/2011	Mi	.....	D14/230

D659,129 S	*	5/2012	Mi	.....	D14/230
D707,665 S	*	6/2014	Chu	.....	D14/230
D741,301 S	*	10/2015	He	.....	D14/230
D766,220 S	*	9/2016	He	.....	D14/230
D766,882 S	*	9/2016	Schulteis	.....	D14/230
D767,543 S	*	9/2016	Chang	.....	D14/230
D768,117 S	*	10/2016	Yang	.....	D14/230
D778,883 S	*	2/2017	Zheng	.....	D14/230
2004/0012528 A1	*	1/2004	Dai	.....	H01Q 1/36 343/702
2008/0266180 A1	*	10/2008	Wu	.....	H01Q 1/243 343/700 MS
2008/0266189 A1	*	10/2008	Wu	.....	H01Q 1/22 343/702
2009/0267840 A1	*	10/2009	Xu	.....	H01Q 9/0442 343/700 MS
2010/0171664 A1	*	7/2010	Yang	.....	H01Q 1/2266 343/700 MS
2010/0253582 A1	*	10/2010	Nozawa	.....	H01Q 1/243 343/702

(Continued)

*Primary Examiner* — John Windmuller

(74) *Attorney, Agent, or Firm* — Clause Eight IPS; Michael Catania

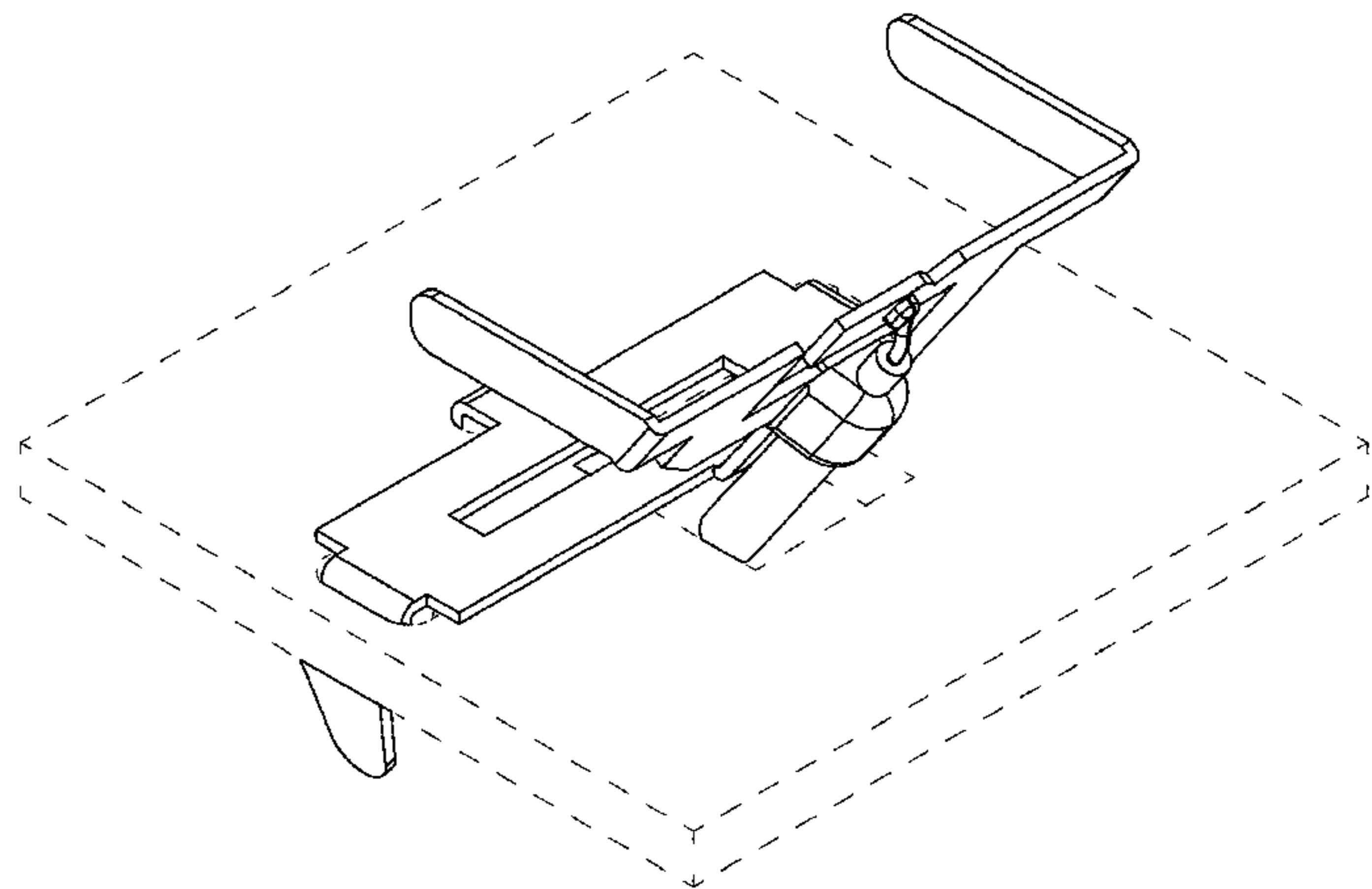
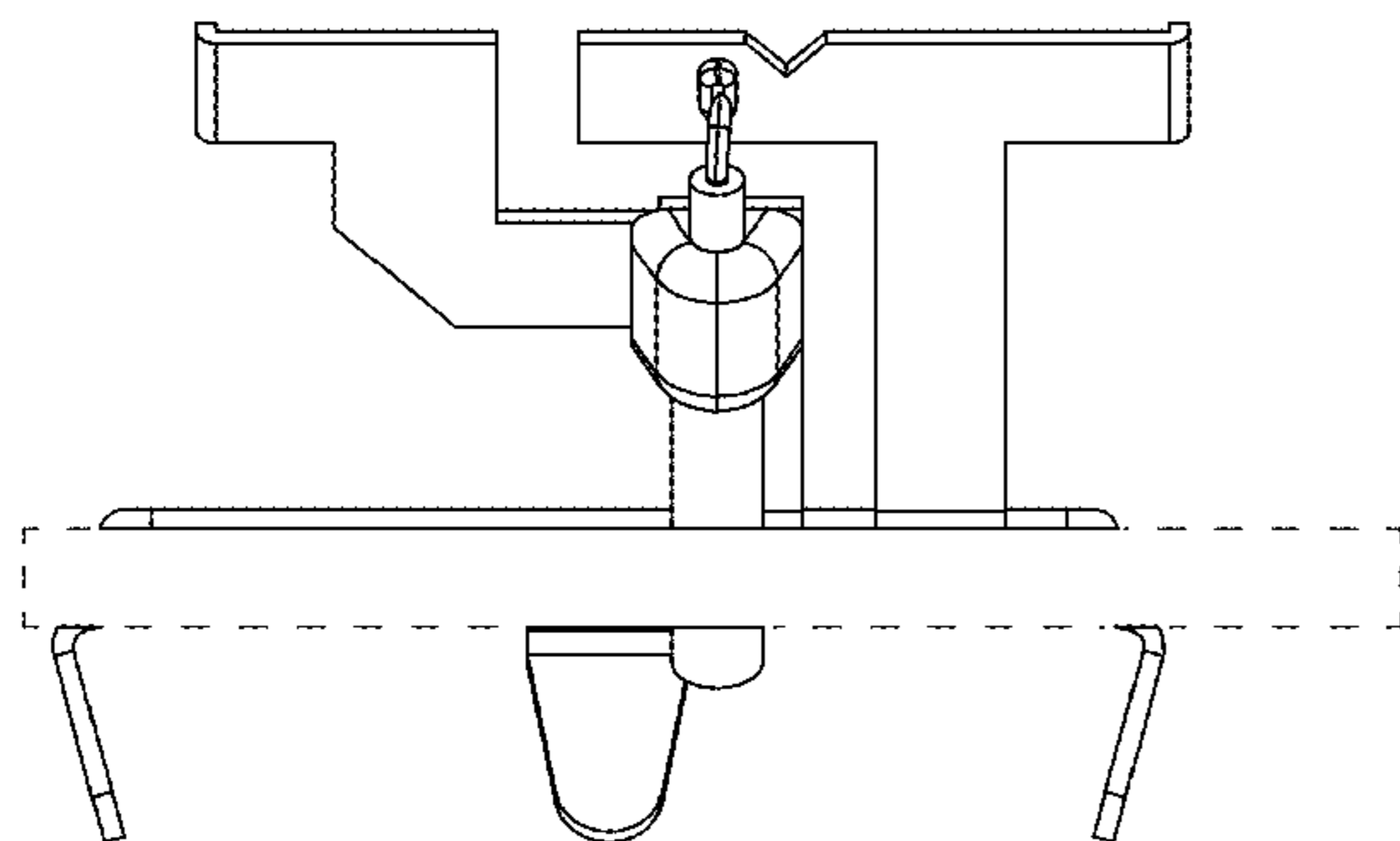
(57) **CLAIM**

The ornamental design for an antenna, as shown and described.

**DESCRIPTION**

FIG. 1 is a front elevation view of an antenna, showing my new design;  
FIG. 2 is a side elevation view thereof;  
FIG. 3 is a side elevation view thereof;  
FIG. 4 is a bottom plan view thereof;  
FIG. 5 is a top plan view thereof;  
FIG. 6 is a top perspective view thereof; and,  
FIG. 7 is a top perspective view thereof.  
The broken lines in the figures depict a base that forms no part of the claimed design.

**1 Claim, 7 Drawing Sheets**



(56)

**References Cited**

U.S. PATENT DOCUMENTS

2013/0033399 A1\* 2/2013 Huang ..... H01Q 5/357  
343/700 MS

\* cited by examiner

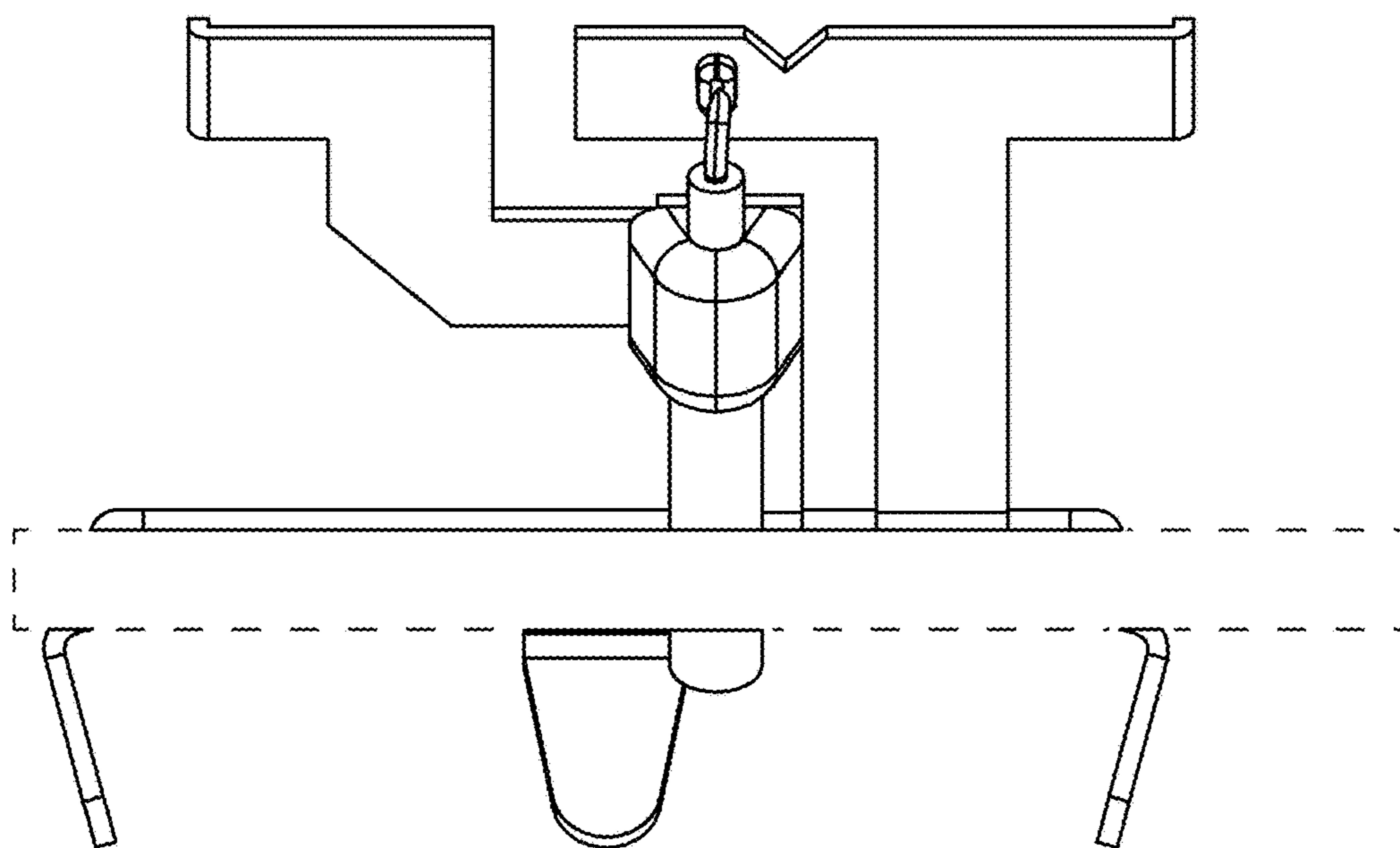


FIG. 1

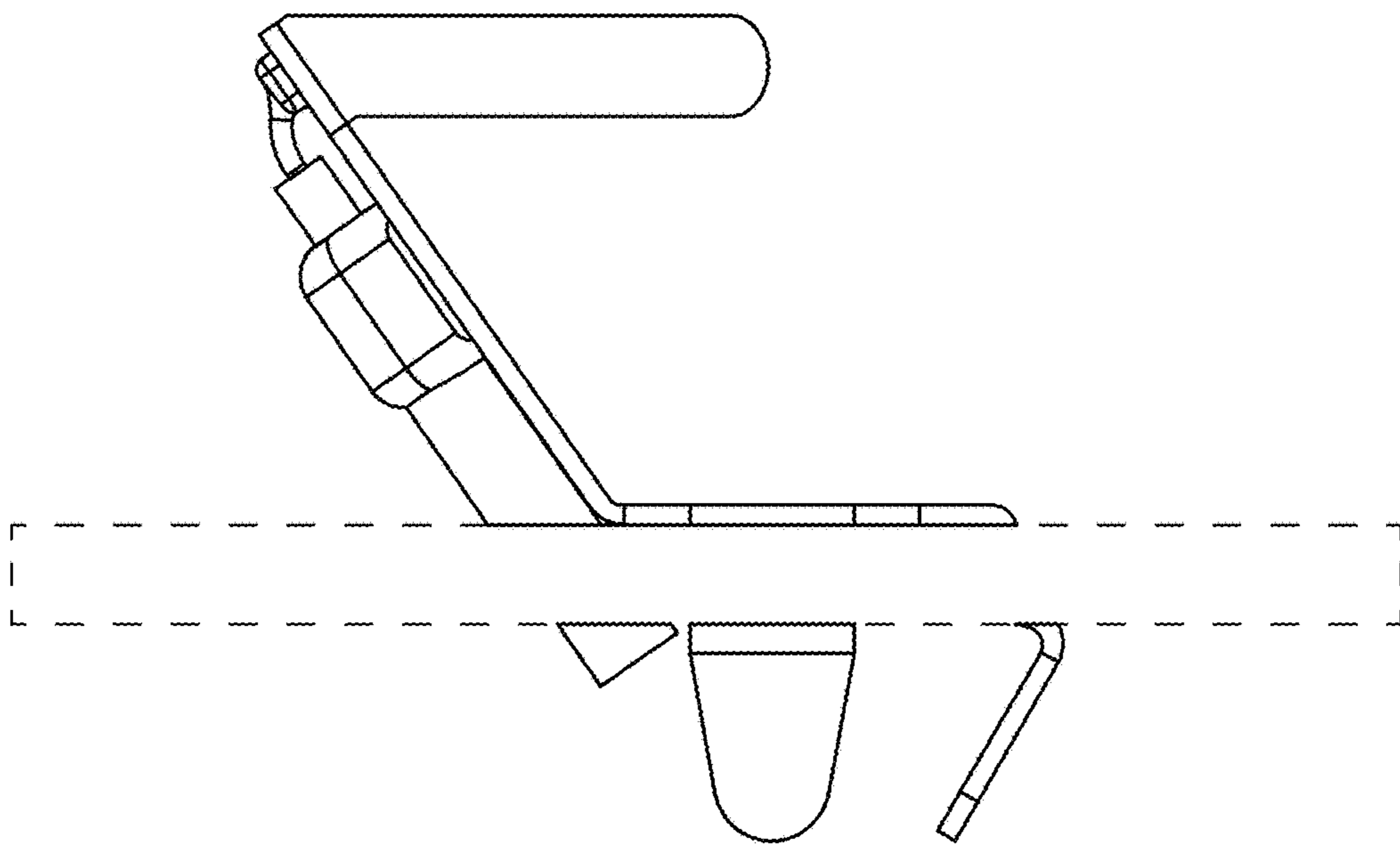


FIG. 2

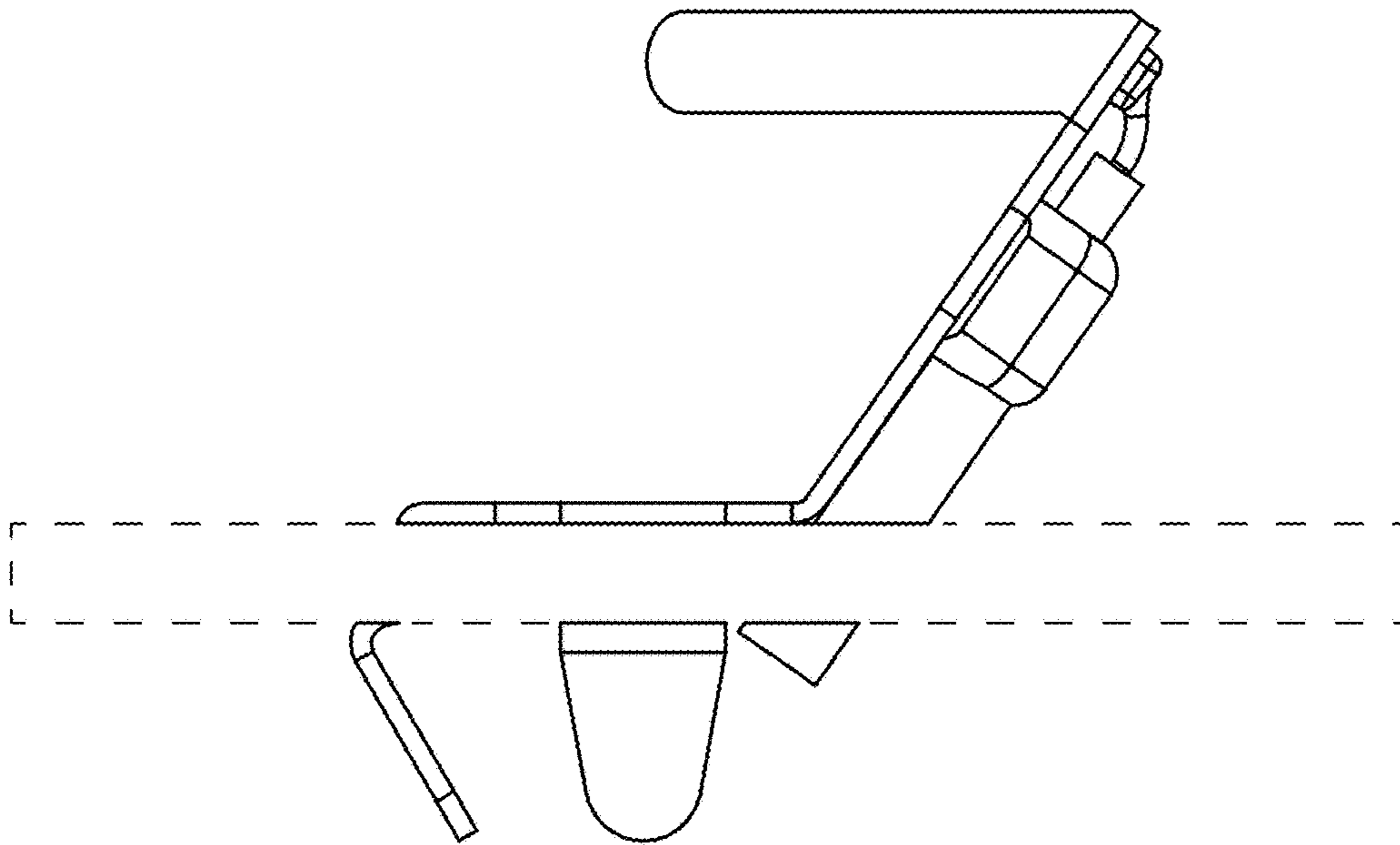


FIG. 3

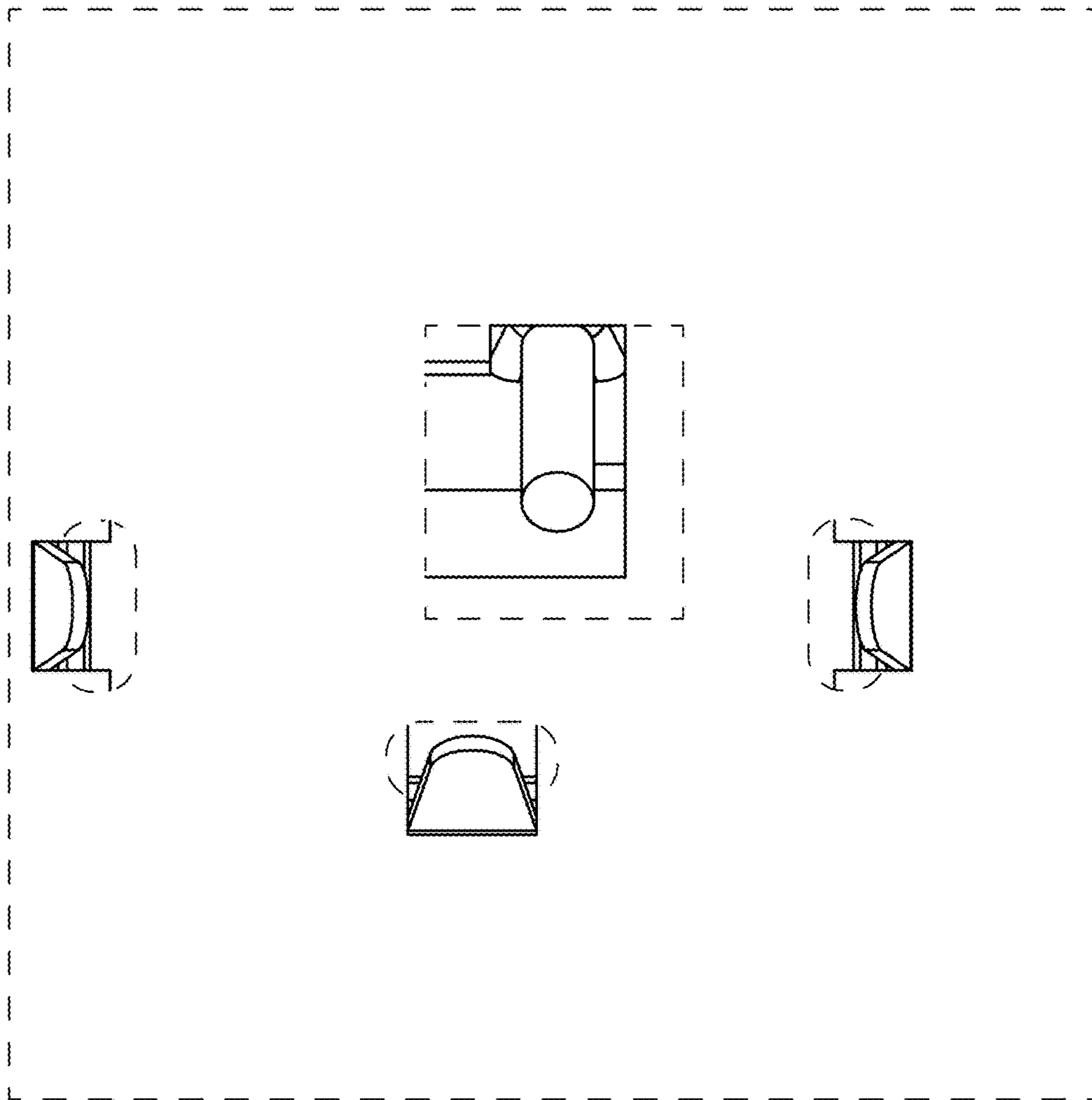


FIG. 4

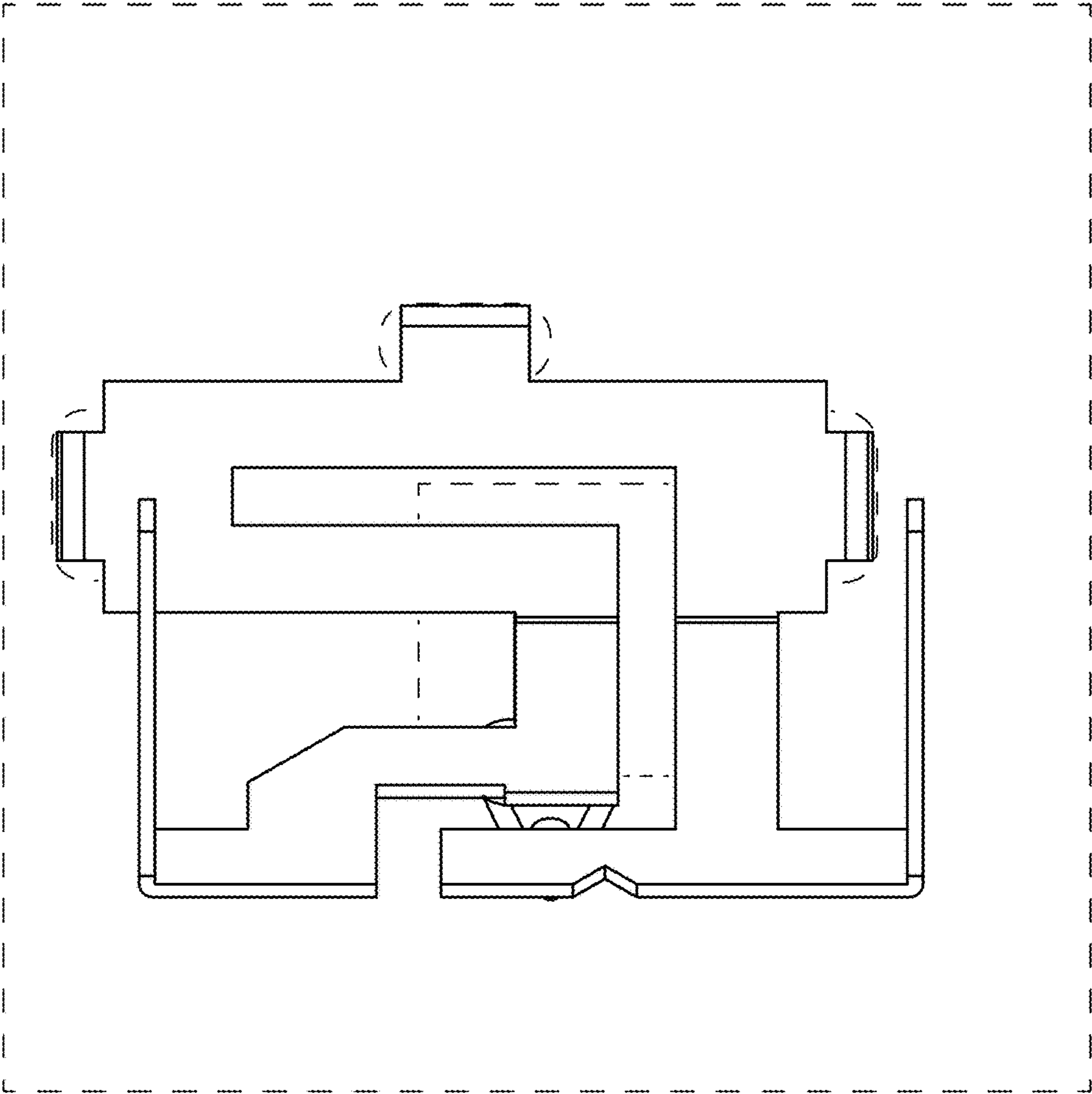


FIG. 5

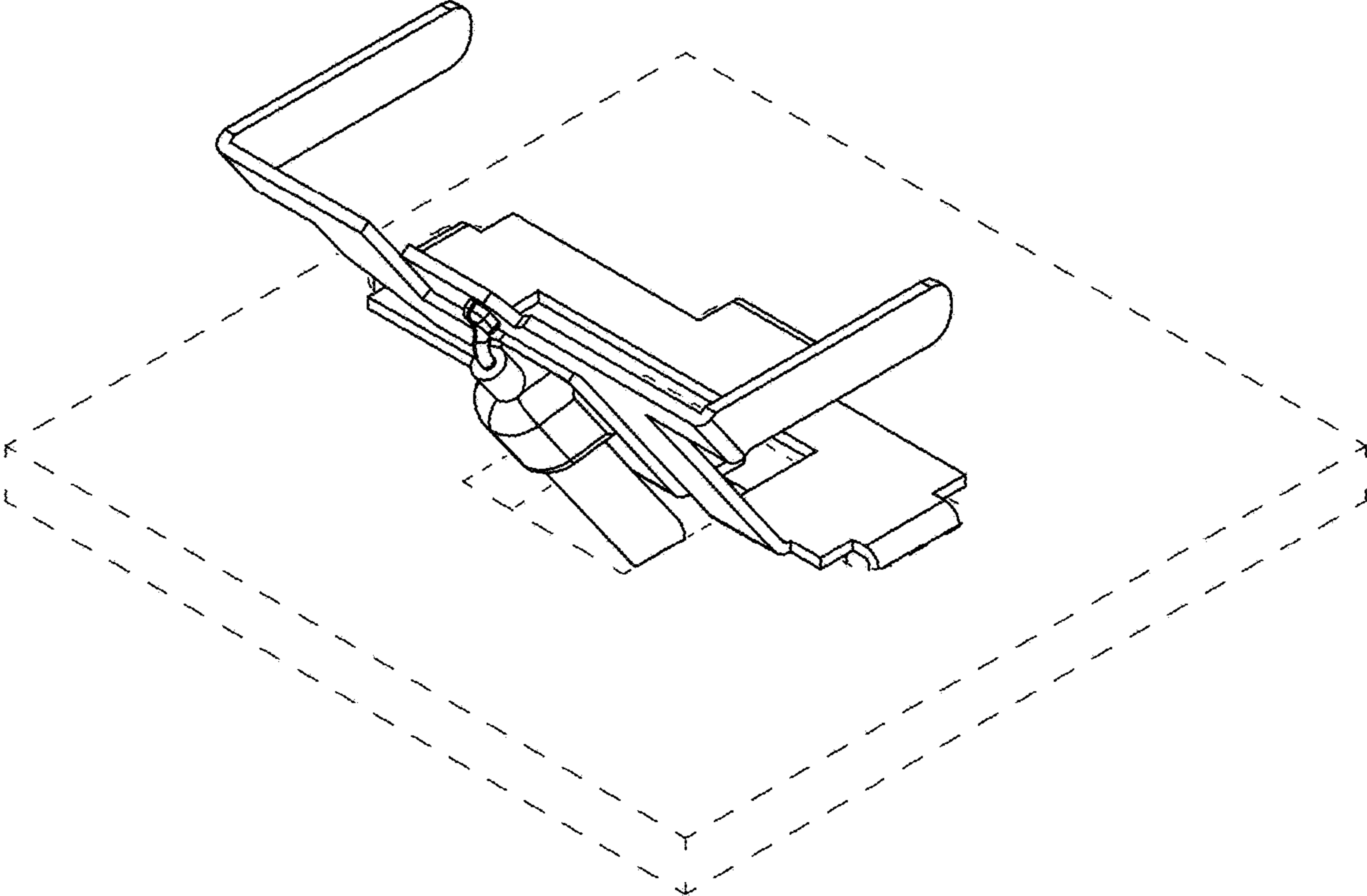


FIG. 6



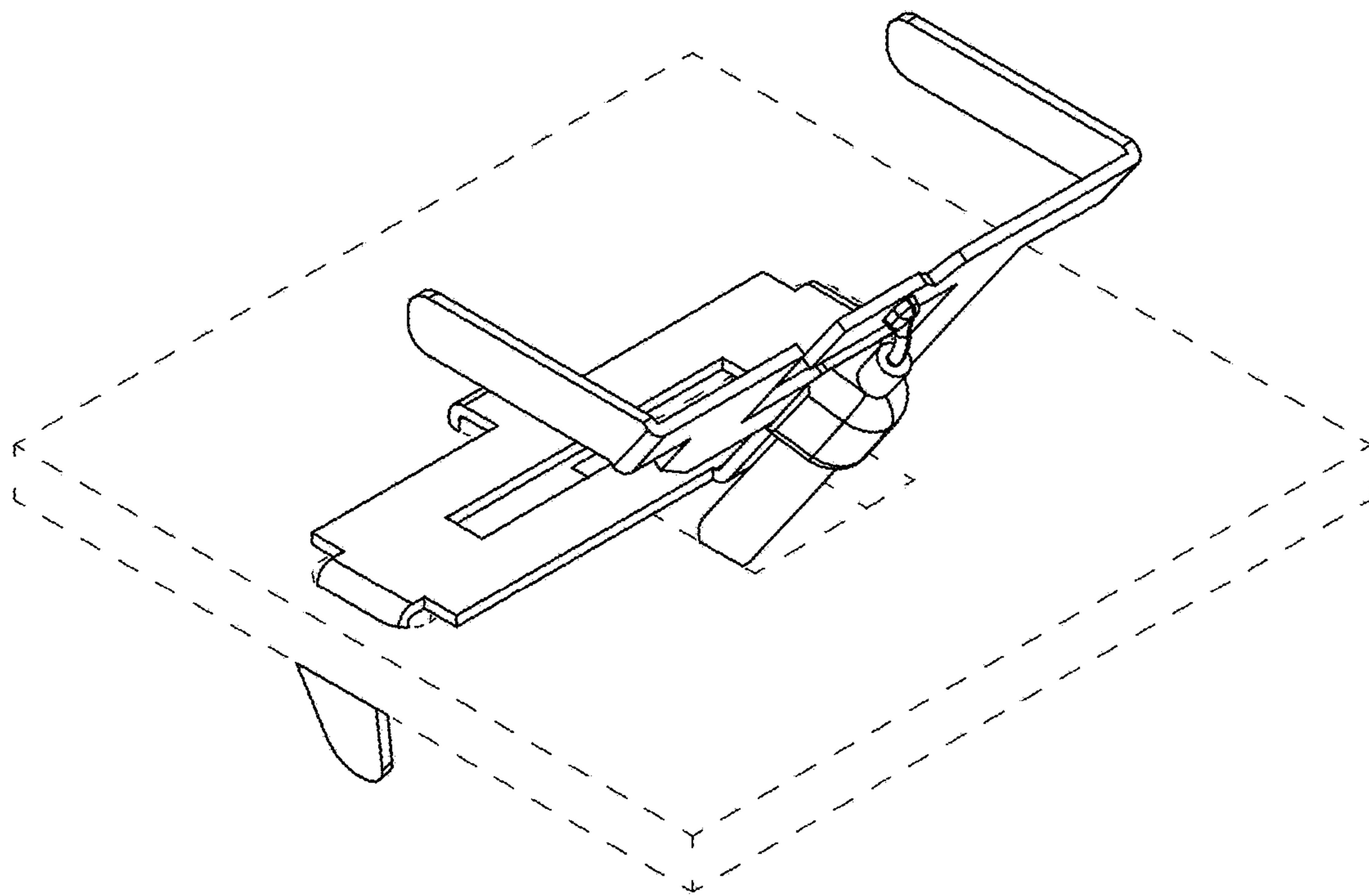


FIG. 7