



US00D856311S

(12) **United States Design Patent** (10) **Patent No.:** **US D856,311 S**
Vu (45) **Date of Patent:** **** Aug. 13, 2019**

(54) **EQUIPMENT SUPPORT**
(71) Applicant: **Gingko Audio**, Farmingdale, NJ (US)
(72) Inventor: **Vinh Thanh Vu**, Farmingdale, NJ (US)
(73) Assignee: **Gingko Audio**, Farmingdale, NJ (US)
(**) Term: **15 Years**
(21) Appl. No.: **29/597,066**
(22) Filed: **Mar. 14, 2017**
(51) **LOC (12) Cl.** **14-01**
(52) **U.S. Cl.**
USPC **D14/224**
(58) **Field of Classification Search**
USPC D14/204, 209.1, 211, 213–214, 224,
D14/224.1, 172, 312, 496; 181/148, 208;
(Continued)

(56) **References Cited**
U.S. PATENT DOCUMENTS
3,311,331 A * 3/1967 Steimen F16F 1/376
248/633
4,251,045 A * 2/1981 Meyerle H04R 1/026
181/148
(Continued)

OTHER PUBLICATIONS
Gingo Audio.com, New Gingko Audio Product, The ARCH of Sound Tranparency, Mar. 19, 2017 (Year: 2017).*
Primary Examiner — Catherine R Oliver-Garcia
(74) *Attorney, Agent, or Firm* — Kaplan Breyer Schwarz, LLP

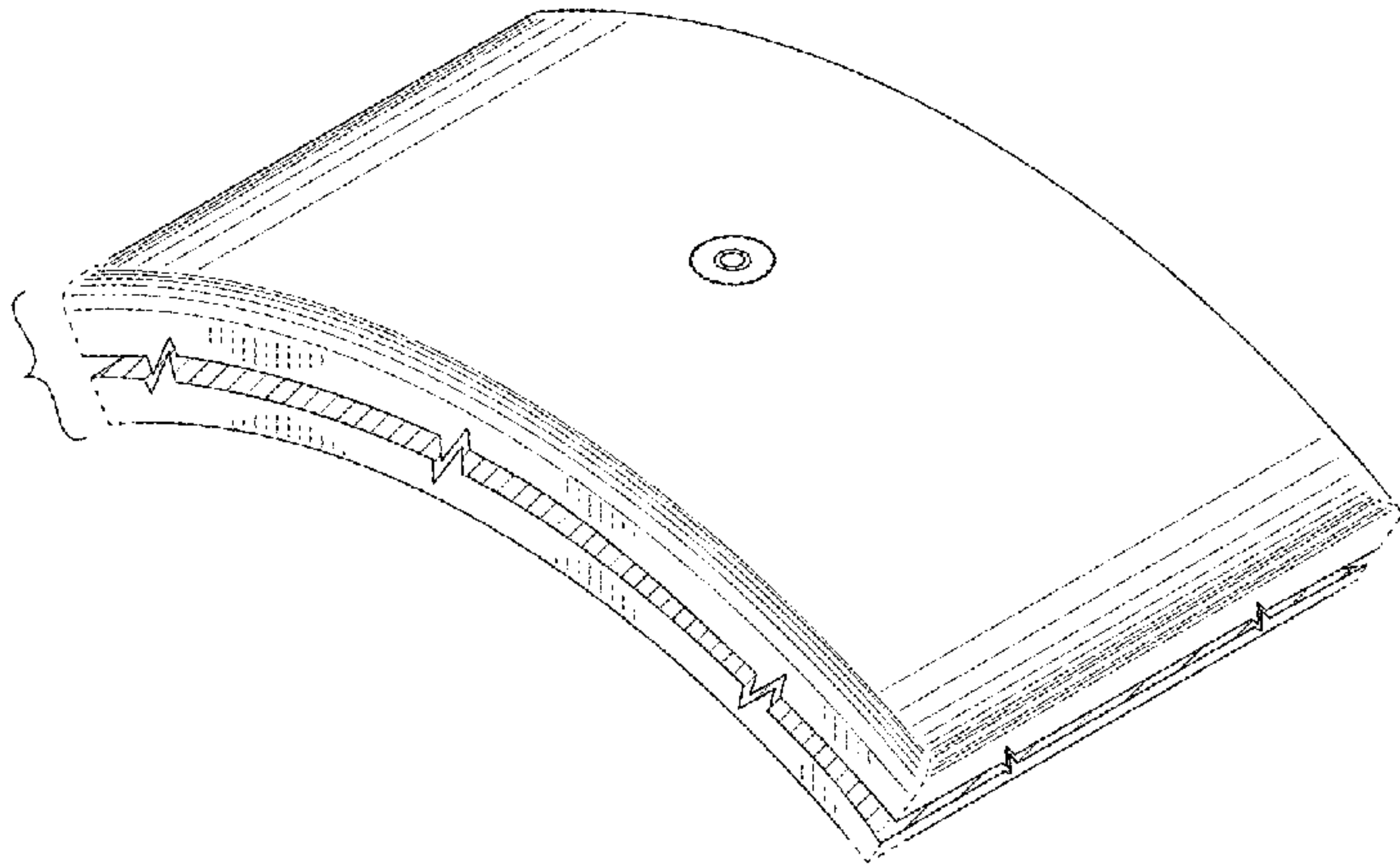
(57) **CLAIM**
The ornamental design for an equipment support as shown and described.

DESCRIPTION

FIG. 1 is a top, front and right isometric view of a first variant of the design for an equipment support
FIG. 2 is a bottom rear left isometric view of the design for the equipment support.
FIG. 3 is a front view of the design for the equipment support.

FIG. 4 is a rear view of the design for the equipment support.
FIG. 5 is a left view of the design for the equipment support.
FIG. 6 is a right view of the design for the equipment support.
FIG. 7 is a top view of the design for the equipment support.
FIG. 8 is a bottom view of the design for the equipment support.
FIG. 9 is a top, front and right isometric view of a second variant of the design for an equipment support;
FIG. 10 is a bottom rear left isometric view of the first variant of the design for the equipment support.
FIG. 11 is a front view of the first variant of the design for the equipment support.
FIG. 12 is a rear view of the first variant of the design for the equipment support.
FIG. 13 is a left view of the first variant of the design for the equipment support.
FIG. 14 is a right view of the first variant of the design for the equipment support.
FIG. 15 is a top view of the first variant of the design for the equipment support.
FIG. 16 is a bottom view of the first variant of the design for the equipment support.
FIG. 17 is a top, front and right isometric view of a third variant of the design for an equipment support;
FIG. 18 is a bottom rear left isometric view of the second variant of the design for the equipment support.
FIG. 19 is a front view of the second variant of the design for the equipment support.
FIG. 20 is a rear view of the second variant of the design for the equipment support.
FIG. 21 is a left view of the second variant of the design for the equipment support.
FIG. 22 is a right view of the second variant of the design for the equipment support.
FIG. 23 is a top view of the second variant of the design for the equipment support; and,
FIG. 24 is a bottom view of the second variant of the design for the equipment support.
The portions shown in the drawings in dashed lines do not constitute part of the claimed design.
References to “top”, “bottom,” “front,” “rear,” “left,” and “right” in the figure descriptions are not meant to require certain in-use orientation; an equipment support according to the claimed design may be used in any orientation and configuration.

1 Claim, 12 Drawing Sheets



(58) **Field of Classification Search**

USPC 188/268; 267/140.13, 153, 294; D6/675;
248/181.1, 127, 176.1, 580, 619, 624,
248/632-633, 676; 381/386, 390, 392;
D30/199
CPC F16F 1/376; F16F 1/377; F16M 11/08;
F16M 11/14; F16M 11/22; F16M
2200/022; H04R 1/026

See application file for complete search history.

(56) **References Cited**

U.S. PATENT DOCUMENTS

D266,505 S * 10/1982 Saidel D14/224
D267,403 S * 12/1982 Gage D14/224
4,369,949 A * 1/1983 Zopf H04R 1/026
248/632
4,493,471 A * 1/1985 McInnis F16F 1/376
181/208
4,765,580 A * 8/1988 Wright F16M 11/14
248/127
5,444,195 A * 8/1995 Dojo F16F 1/377
181/208
D689,038 S * 9/2013 Poandl D14/172
D740,791 S * 10/2015 Fujioka D14/224
D741,840 S * 10/2015 Morrison D14/224
D778,880 S * 2/2017 Belitz D14/224

* cited by examiner

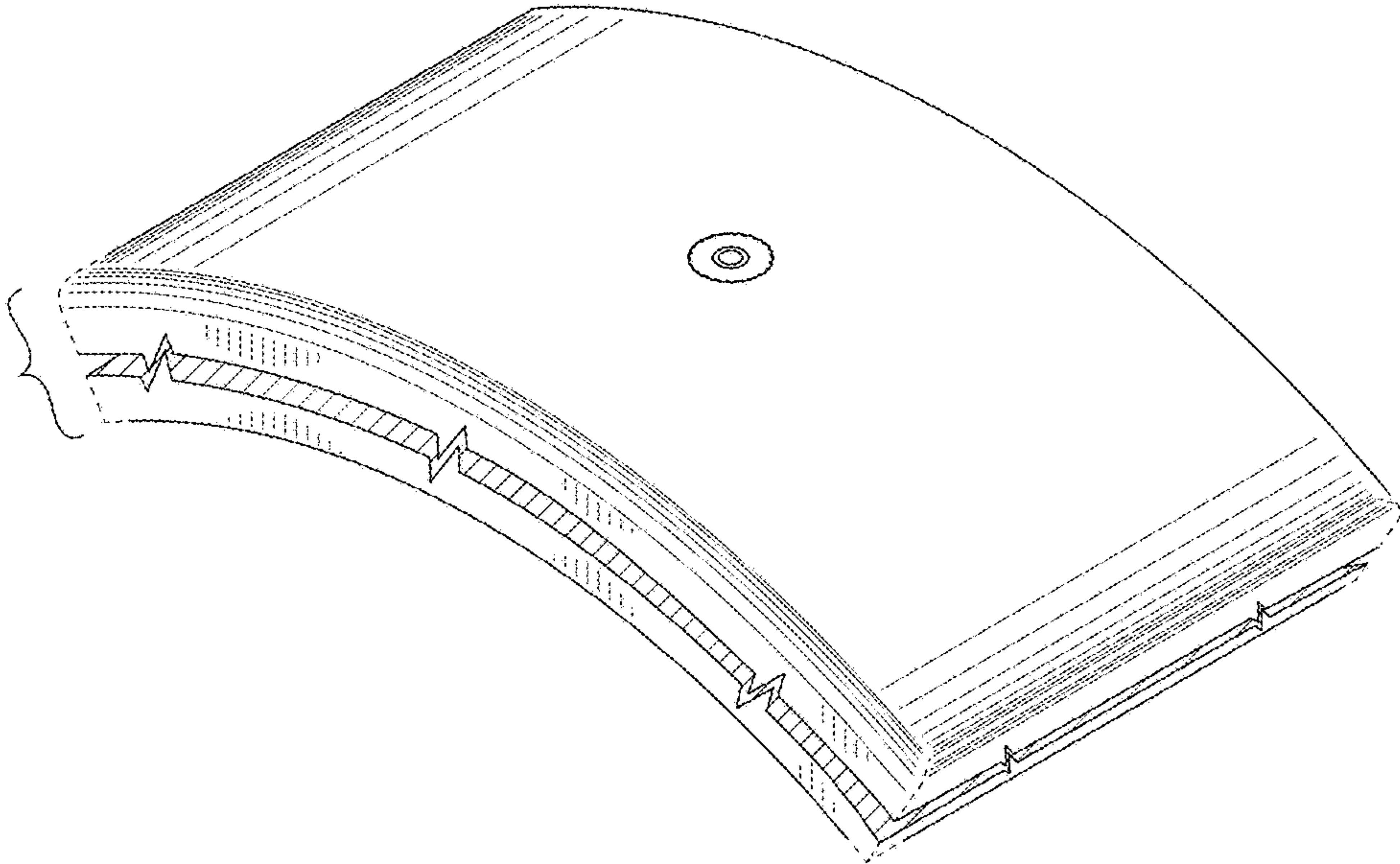


FIG. 1

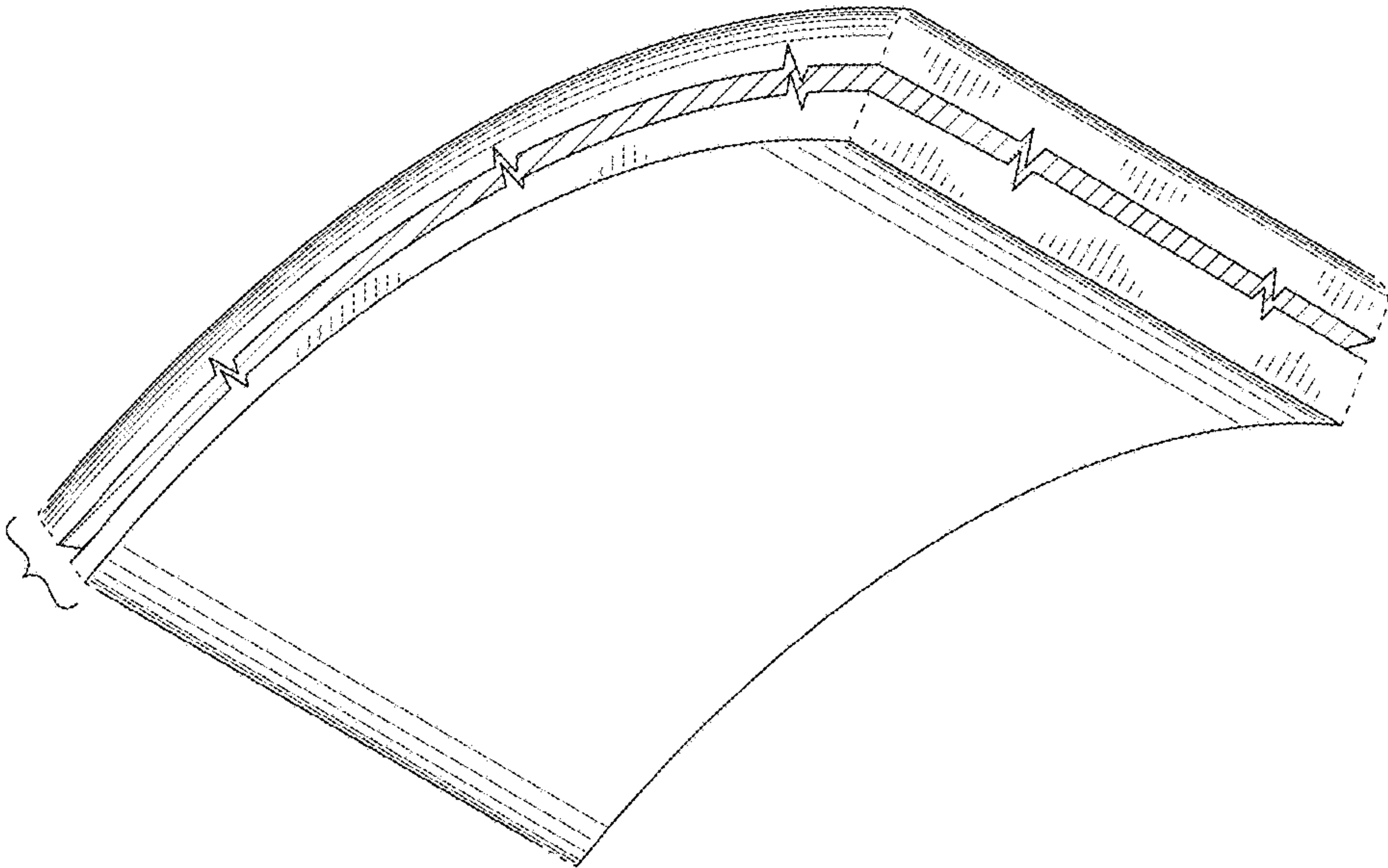


FIG. 2

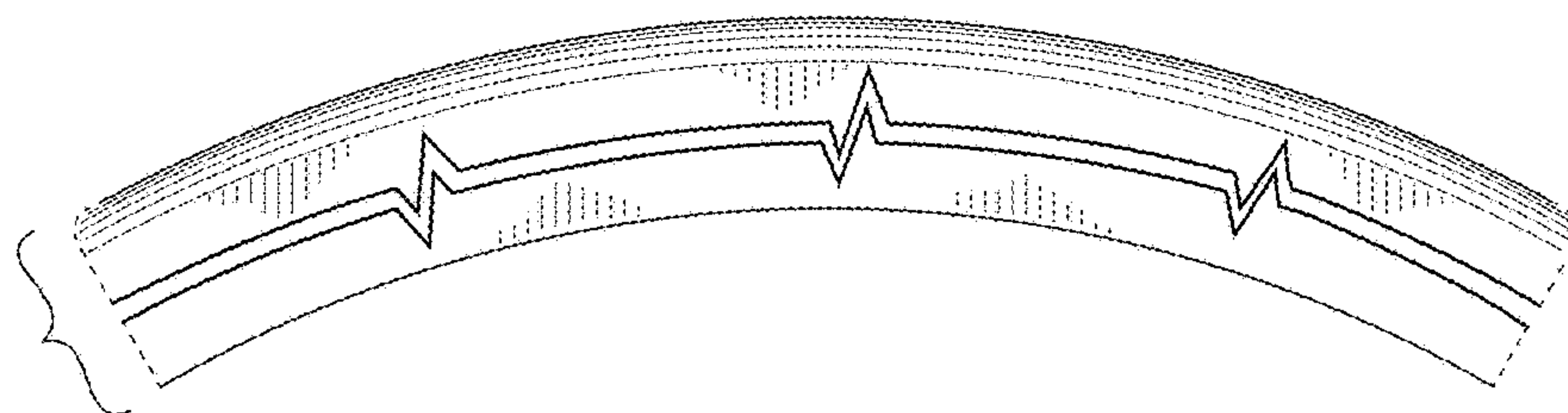


FIG. 3

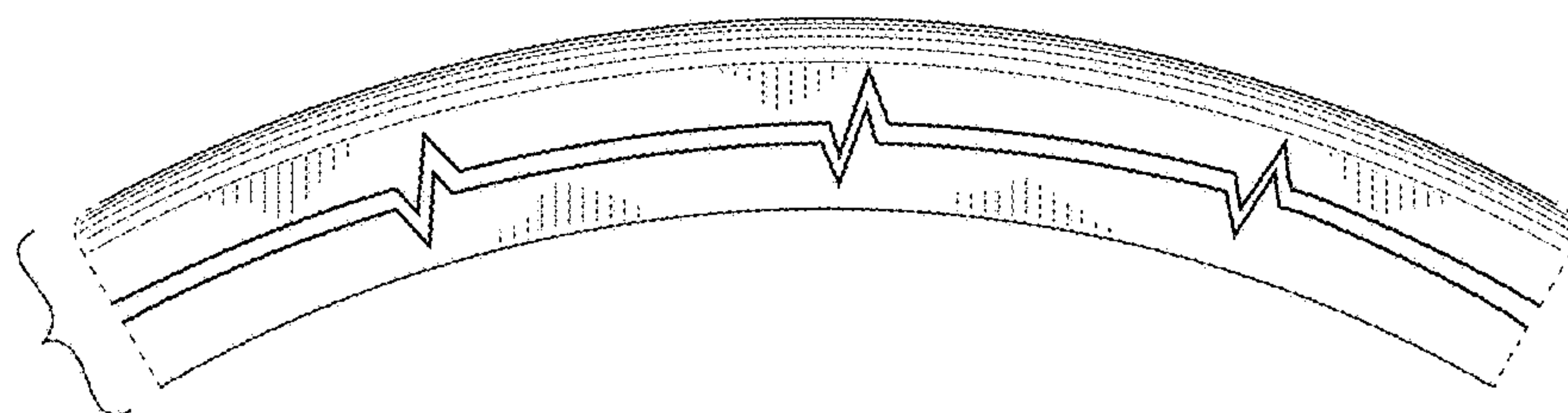


FIG. 4

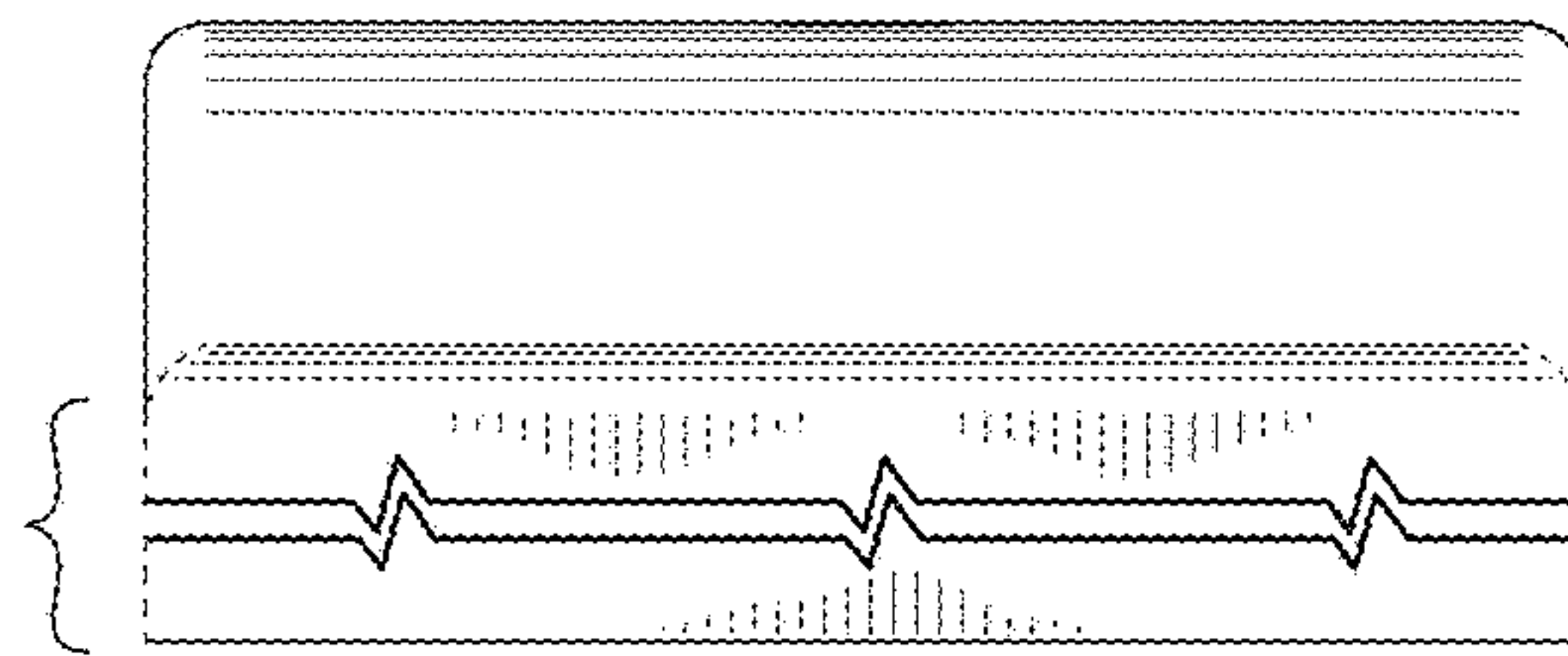


FIG. 5

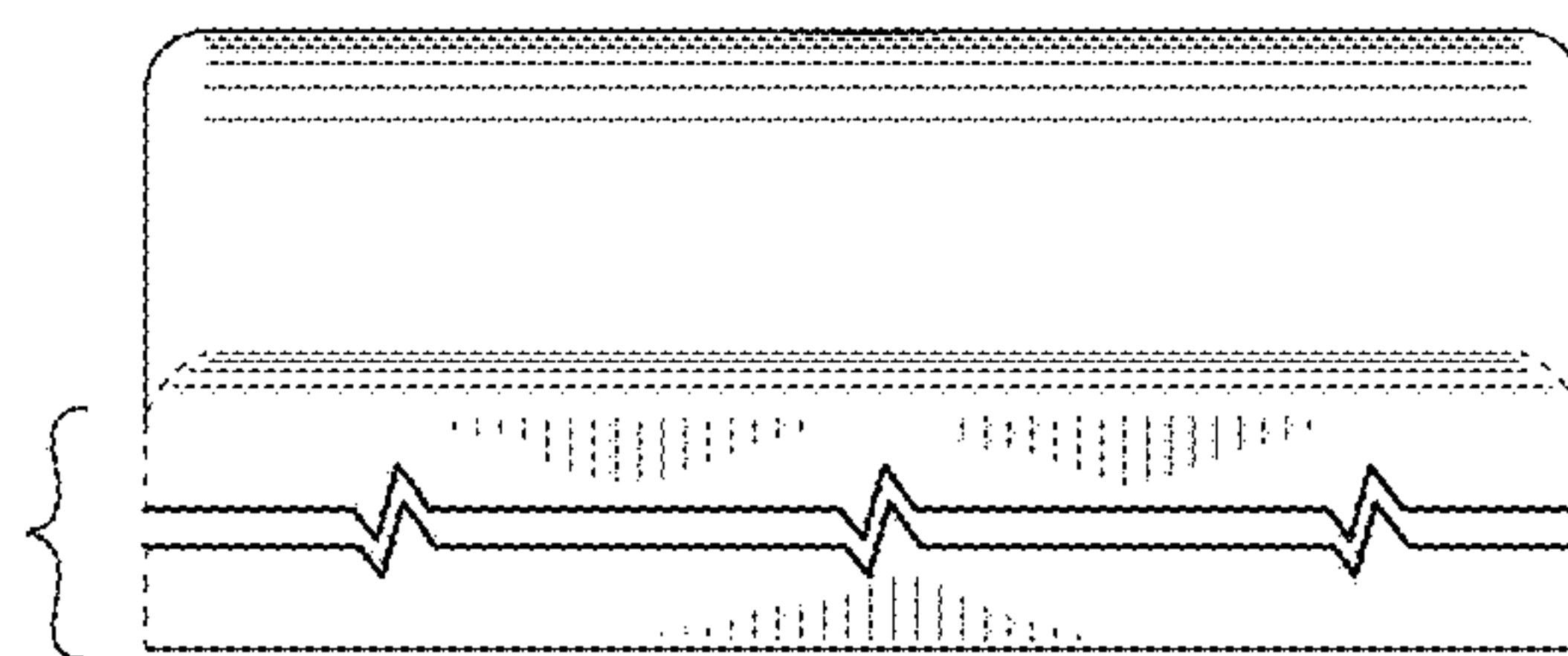


FIG. 6

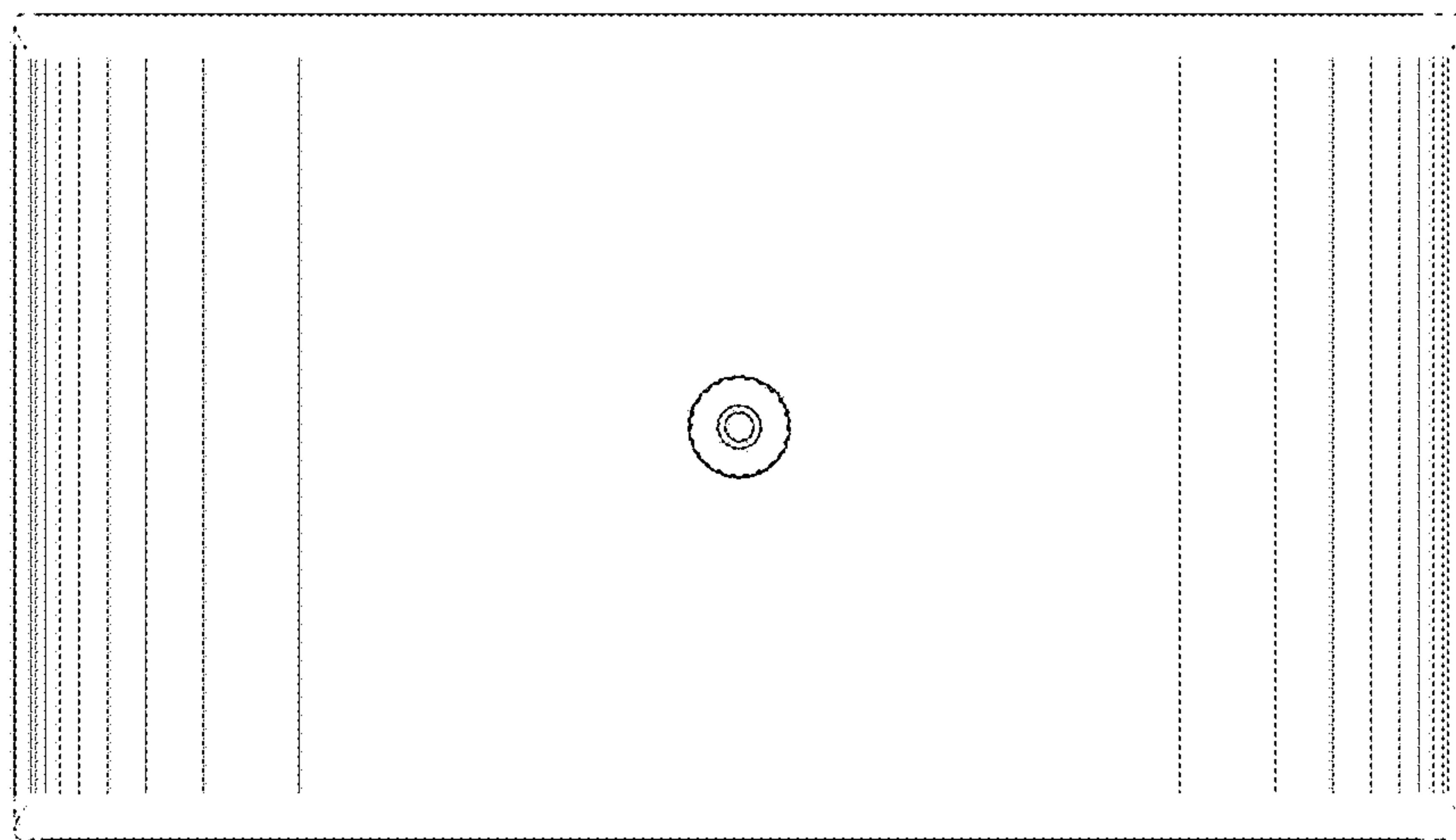


FIG. 7

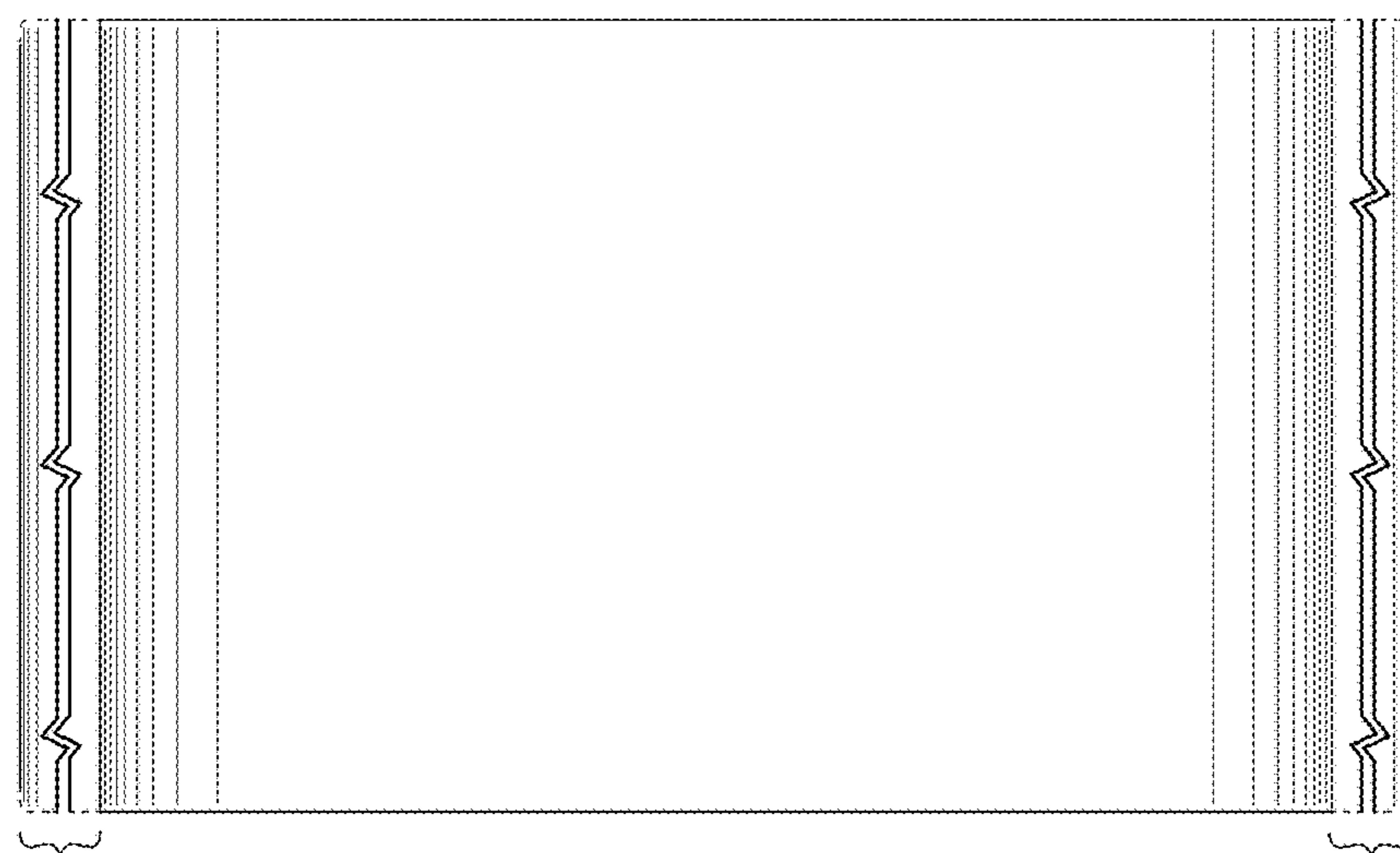


FIG. 8

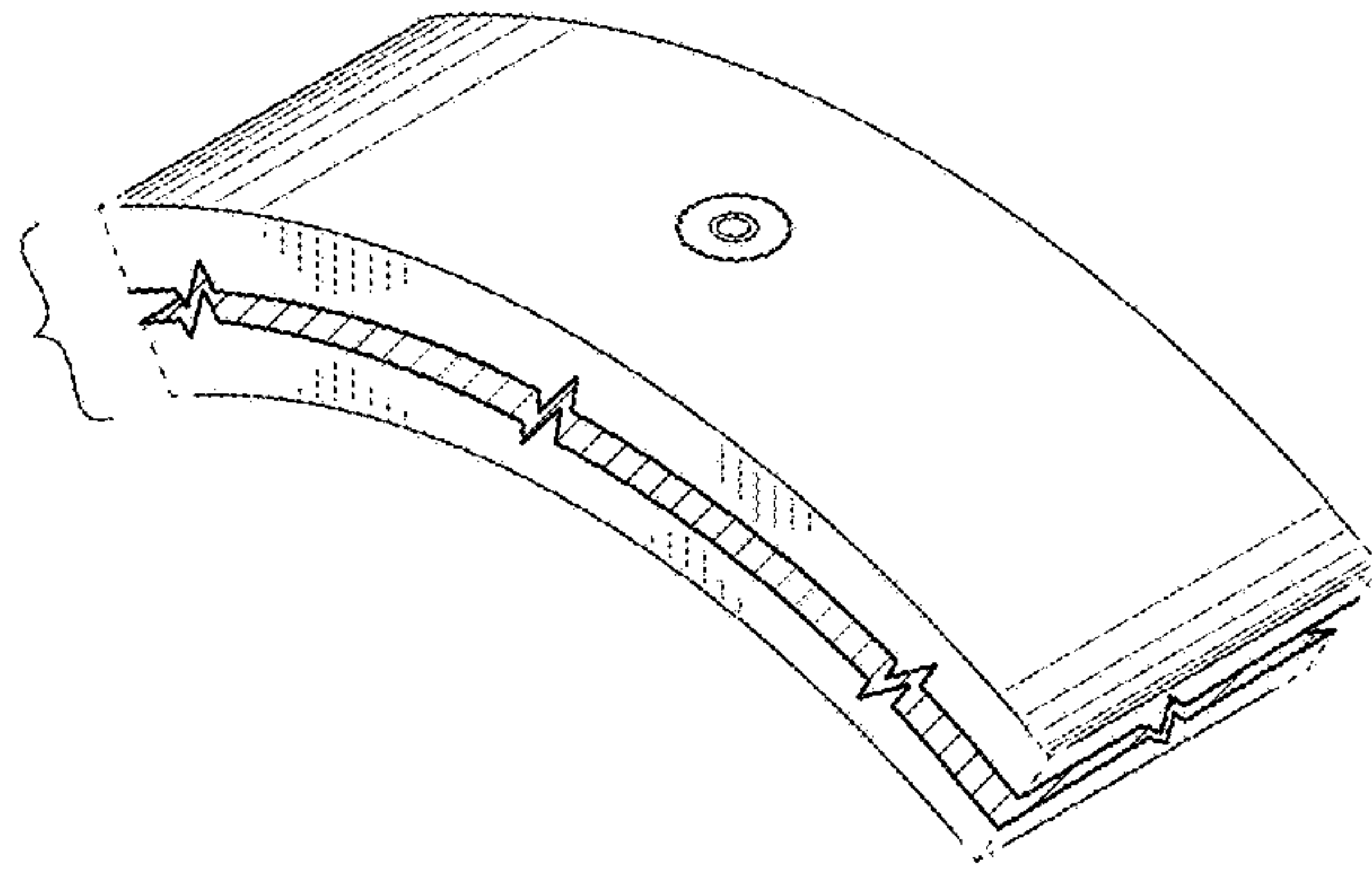


FIG. 9

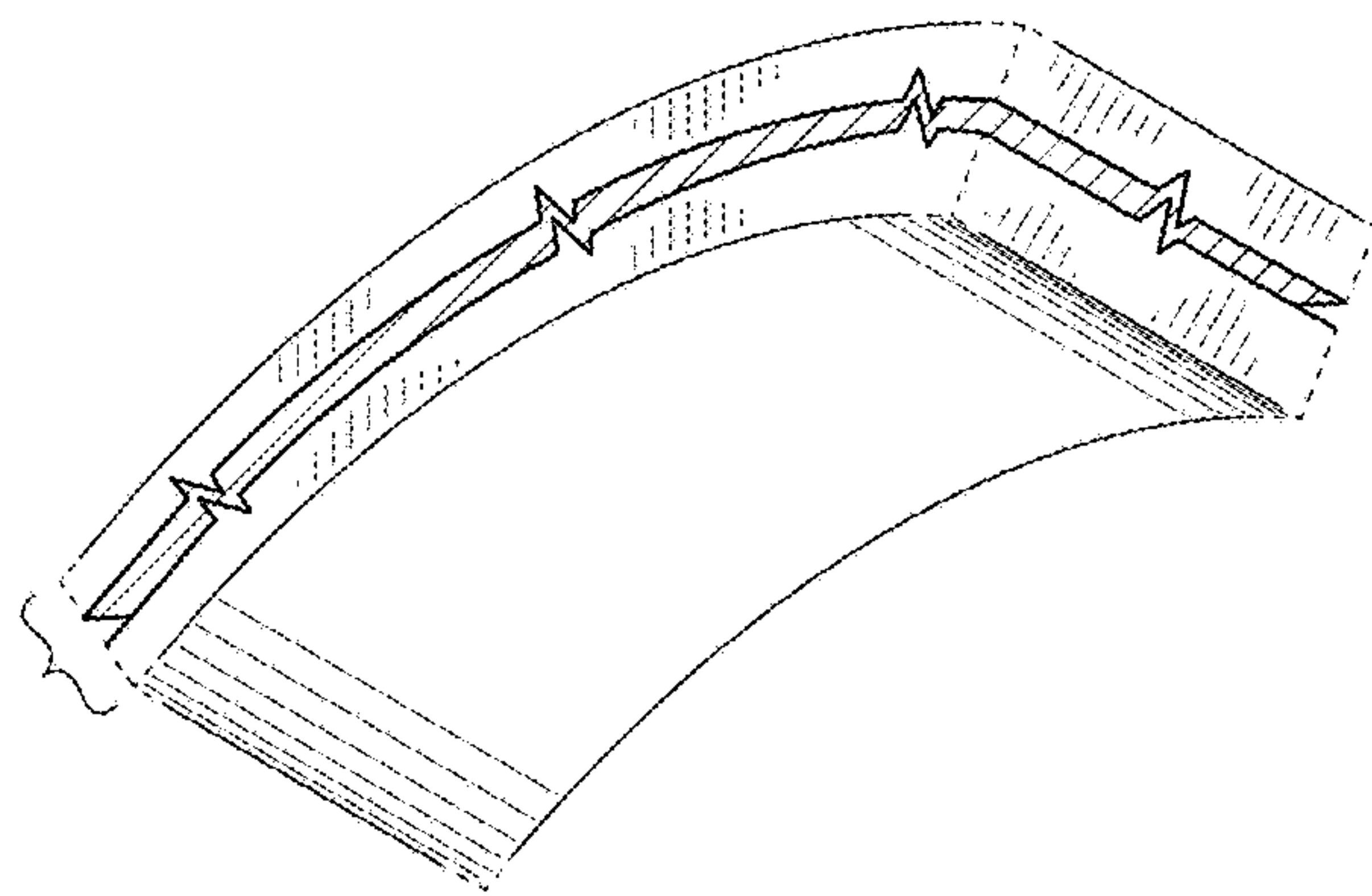


FIG. 10

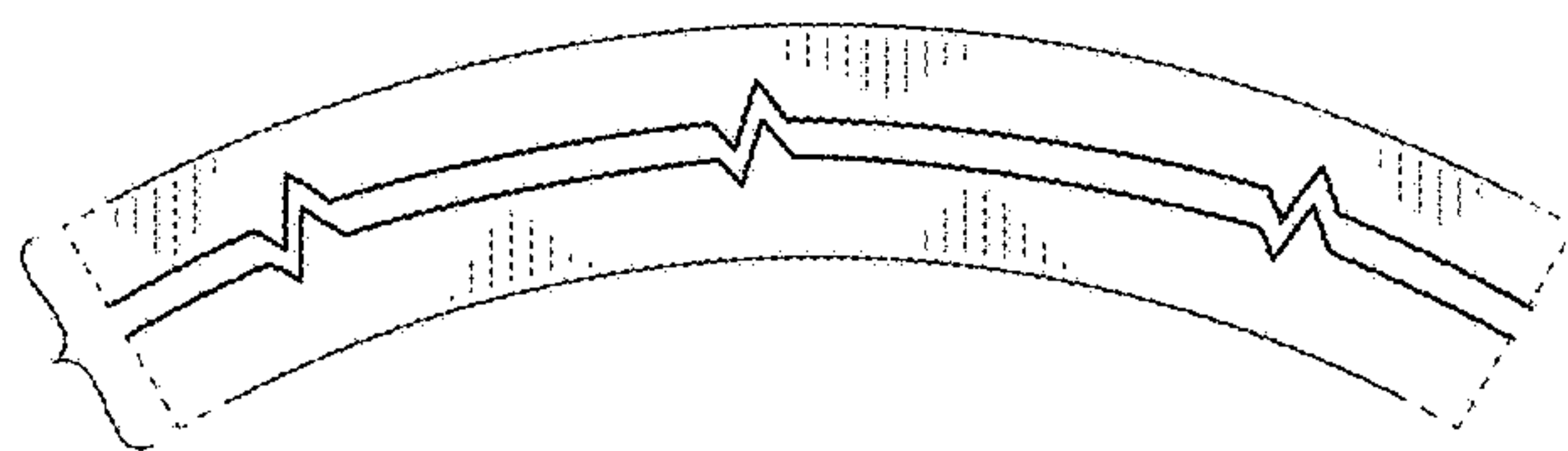


FIG. 11

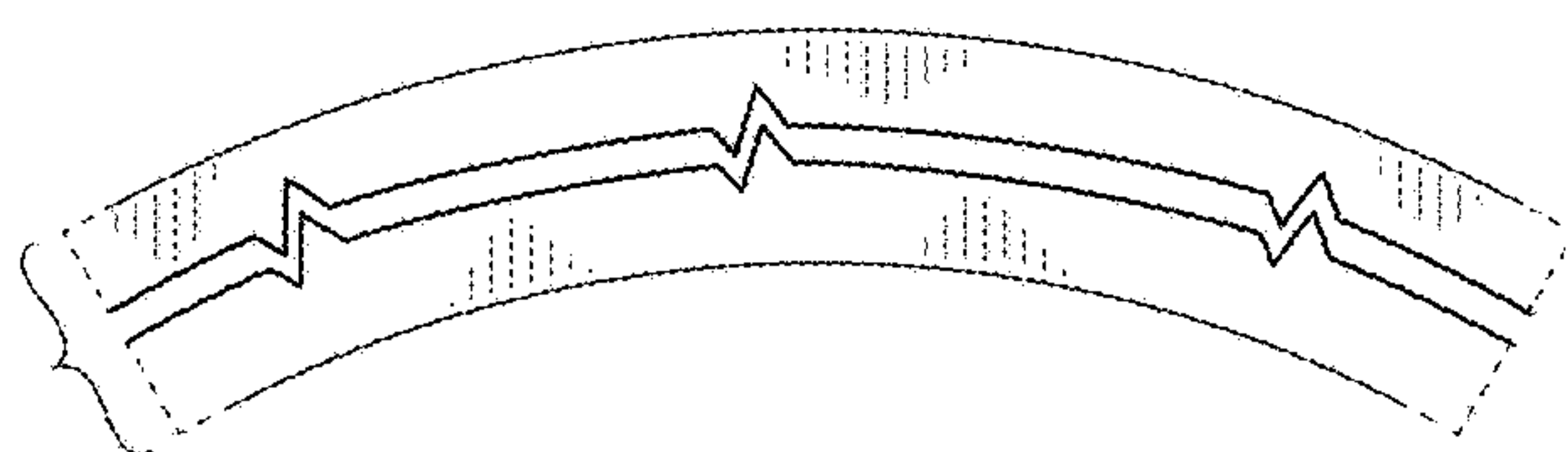


FIG. 12



FIG. 13



FIG. 14

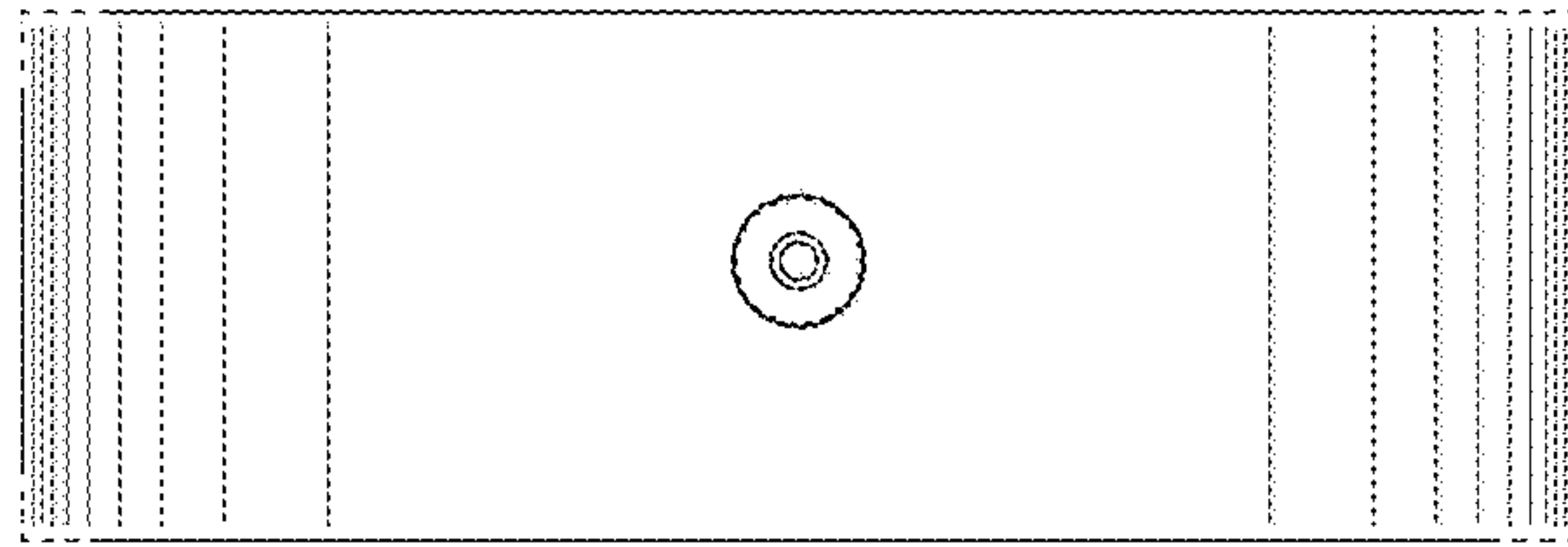


FIG. 15

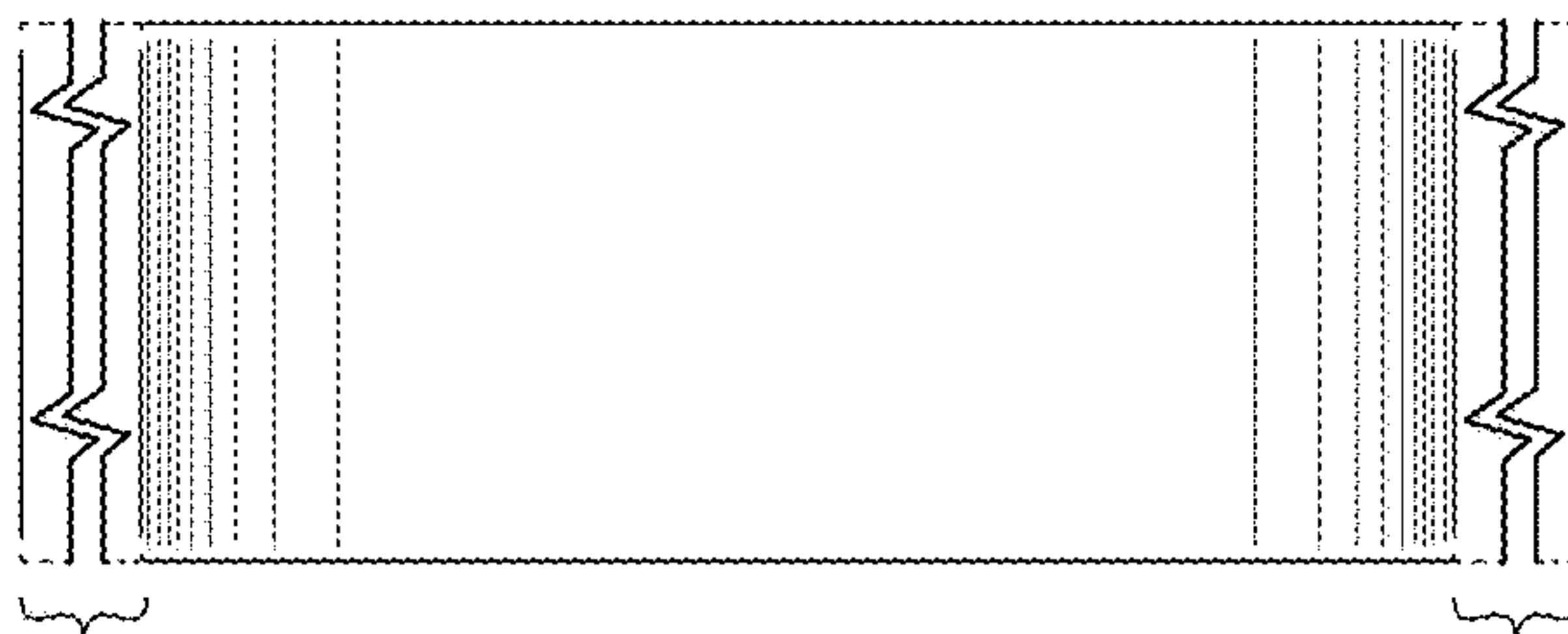


FIG. 16

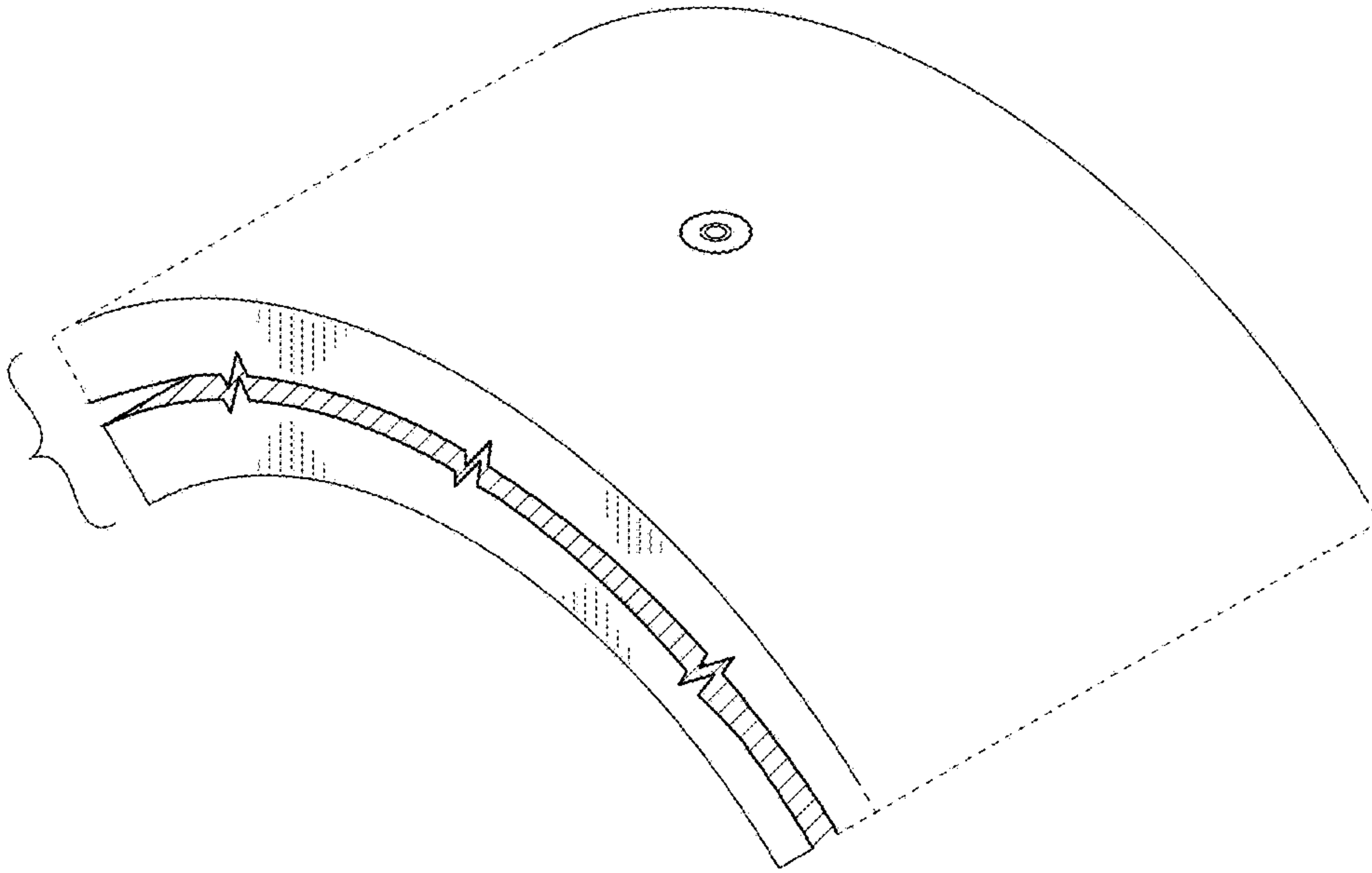


FIG. 17

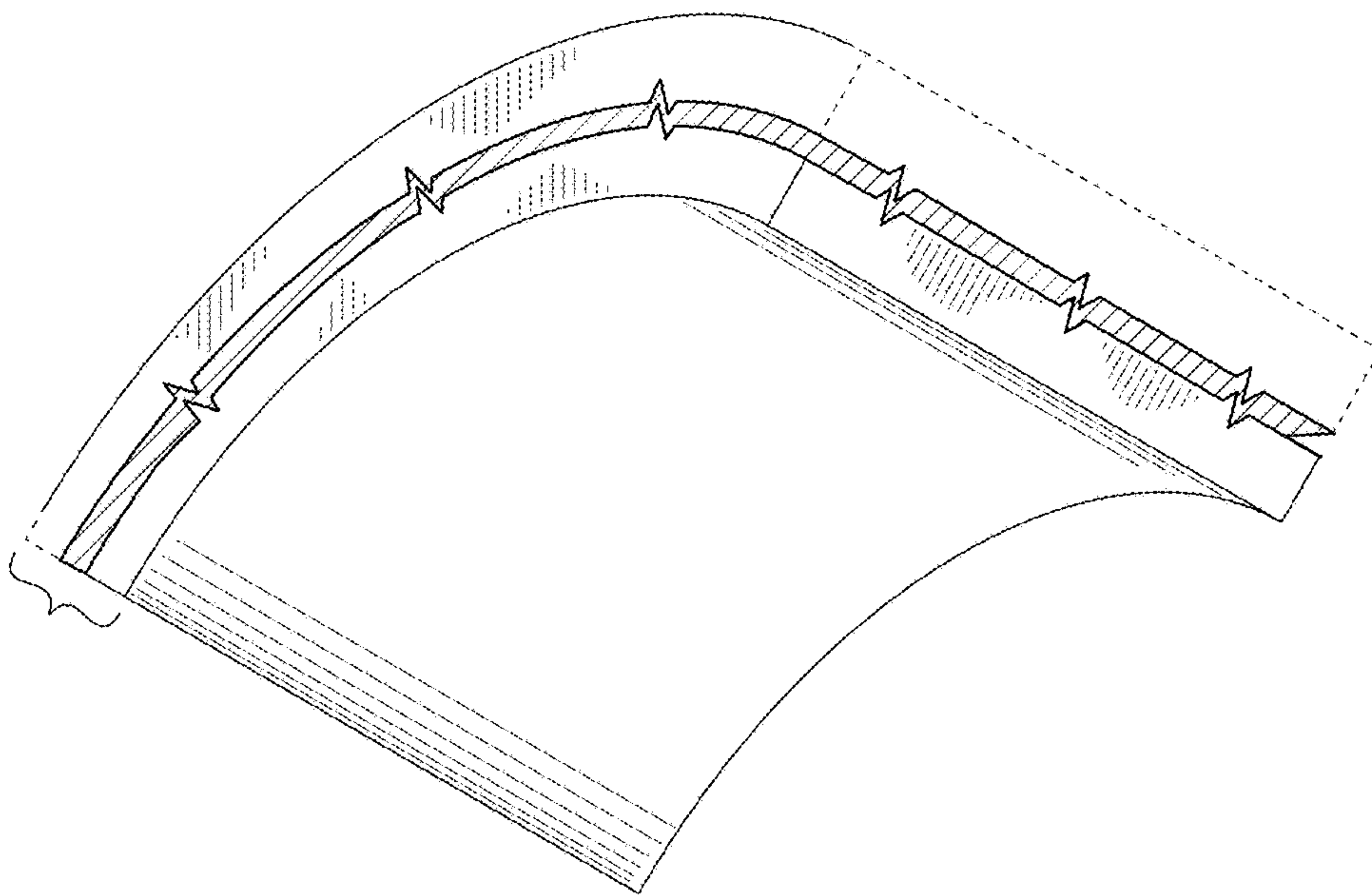


FIG. 18

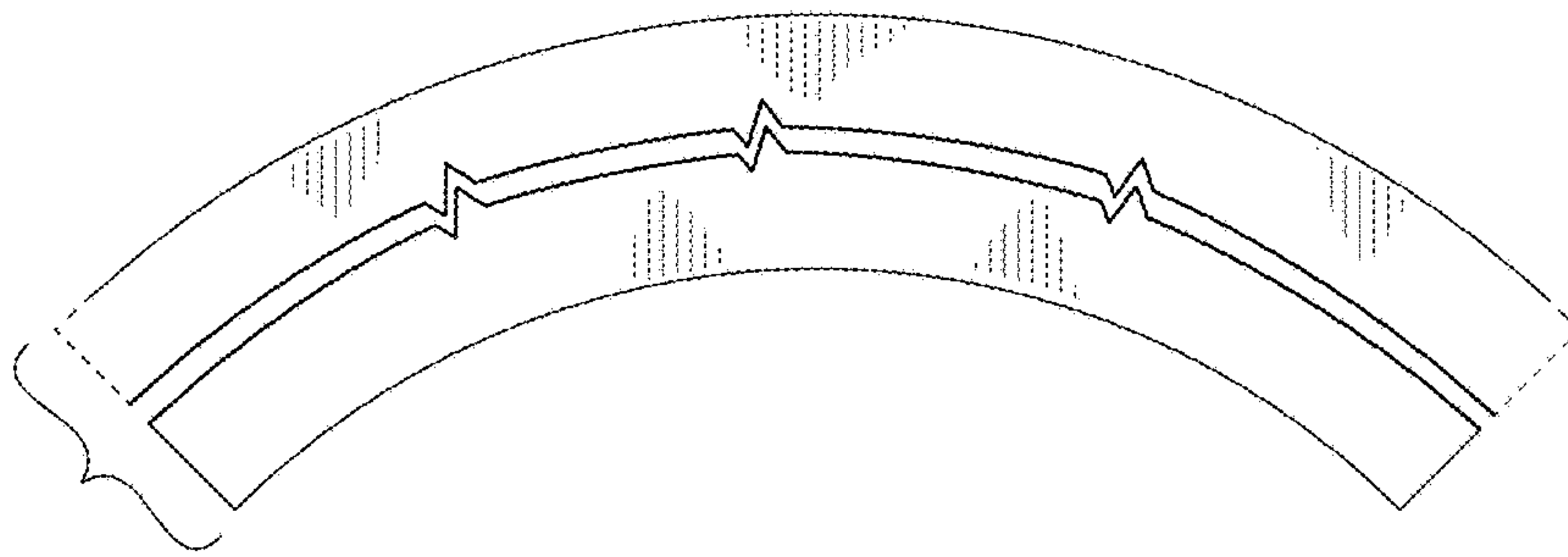


FIG. 19

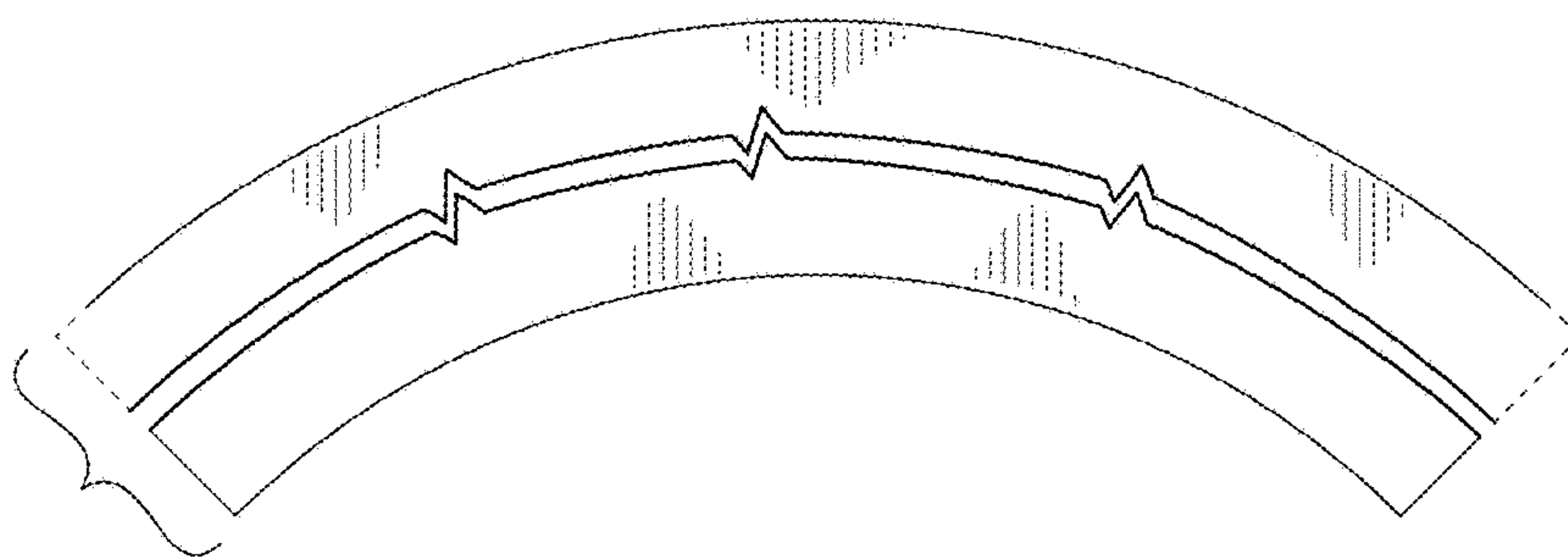


FIG. 20

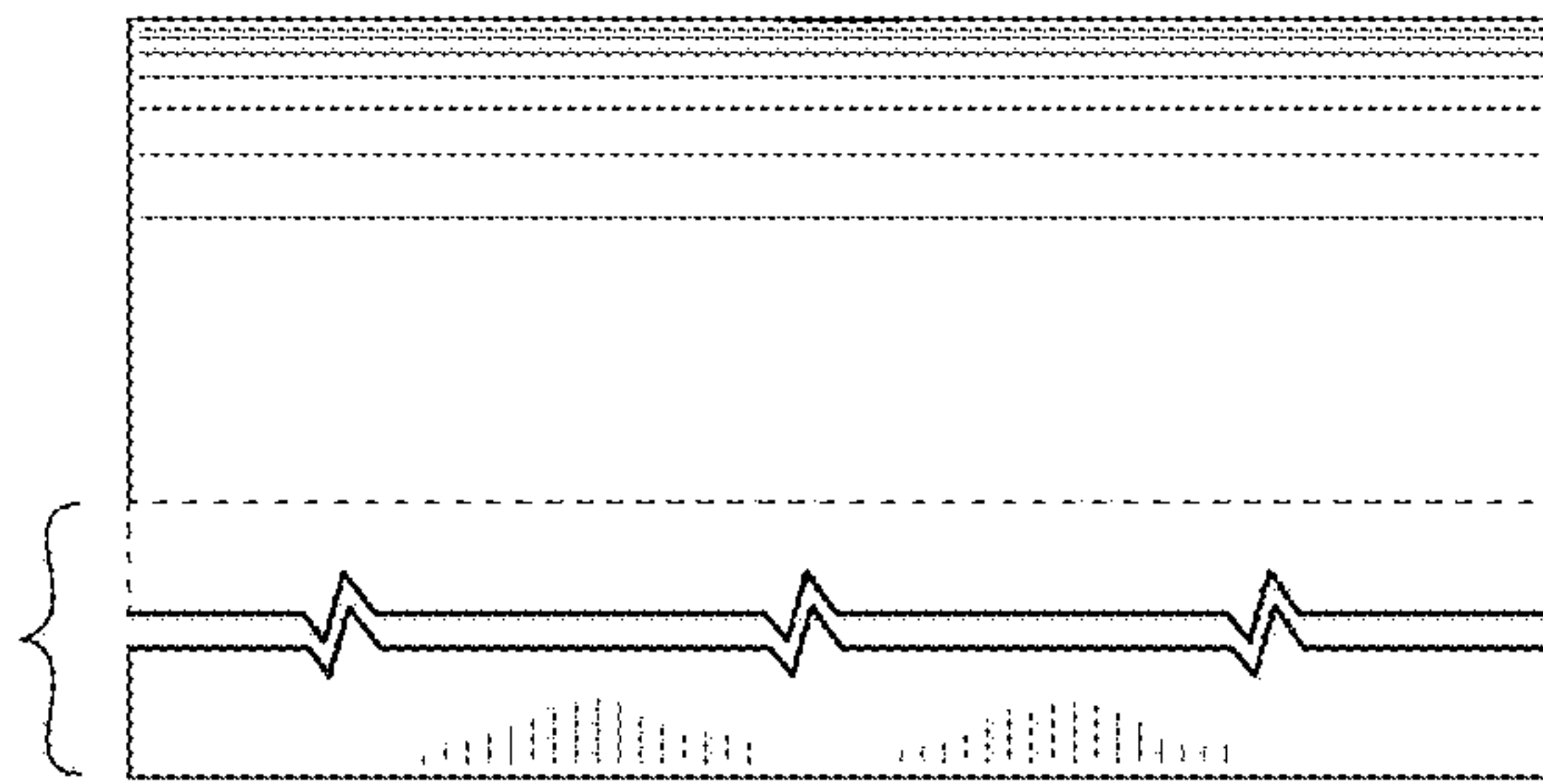


FIG. 21

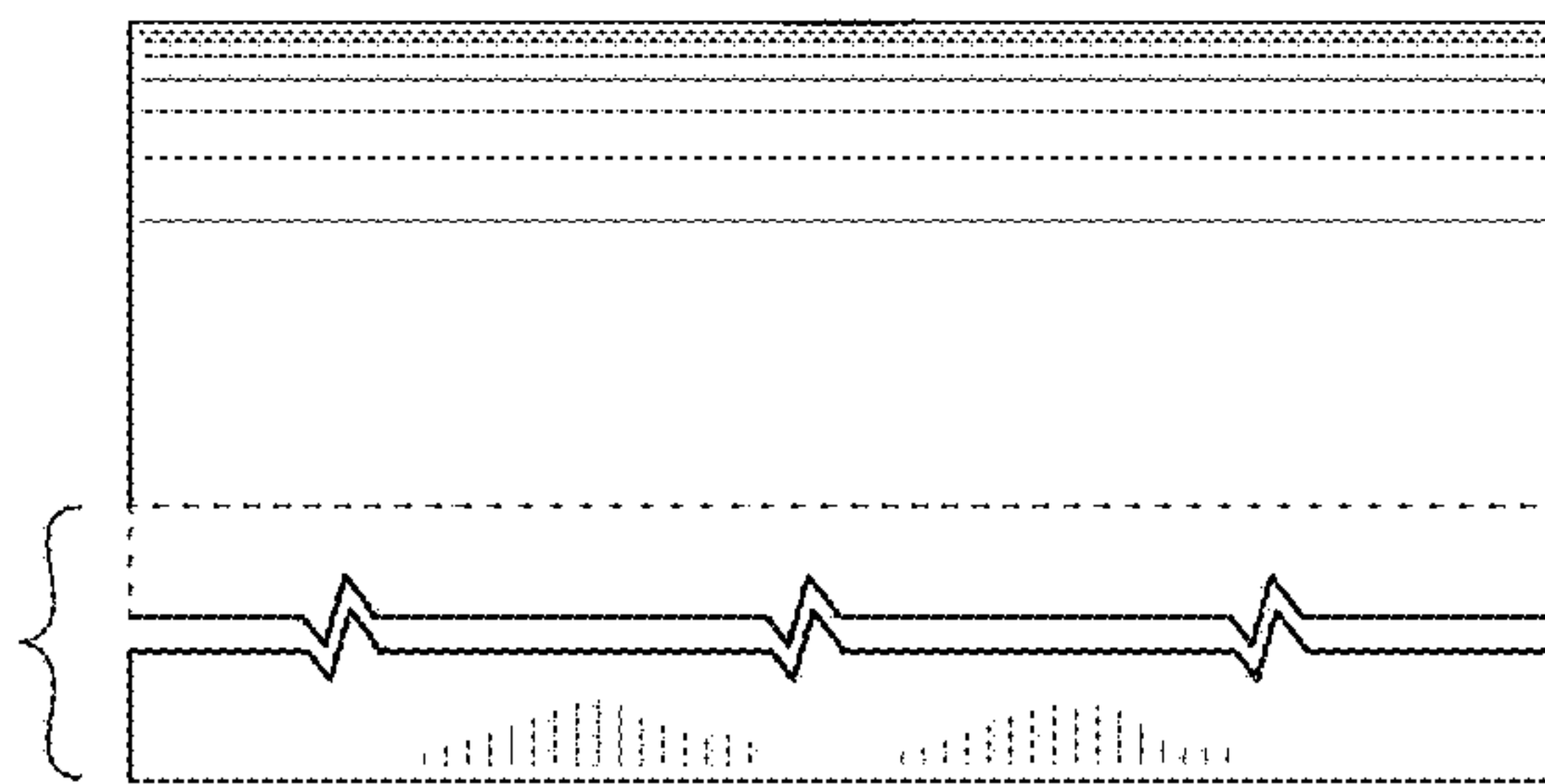


FIG. 22

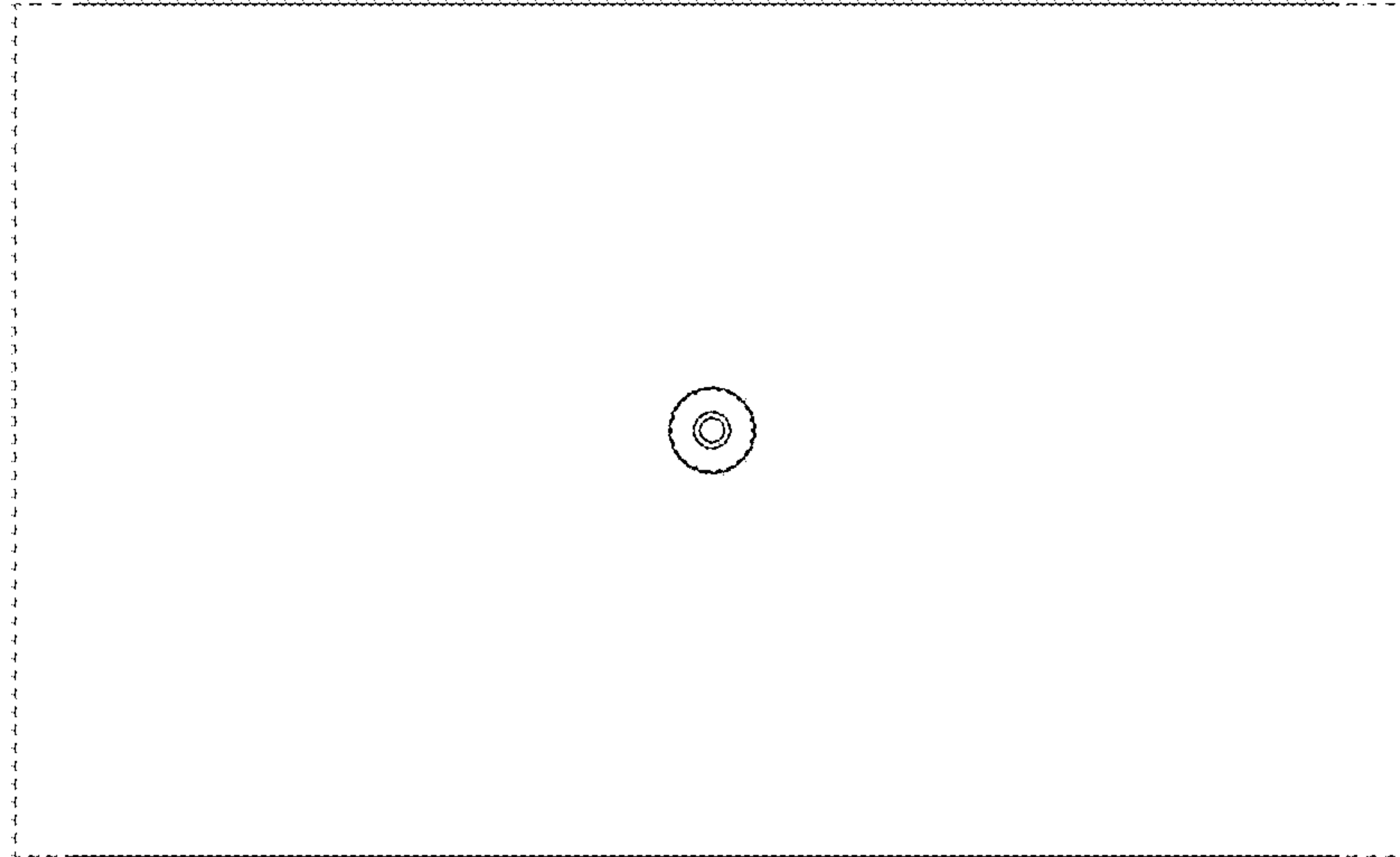


FIG. 23

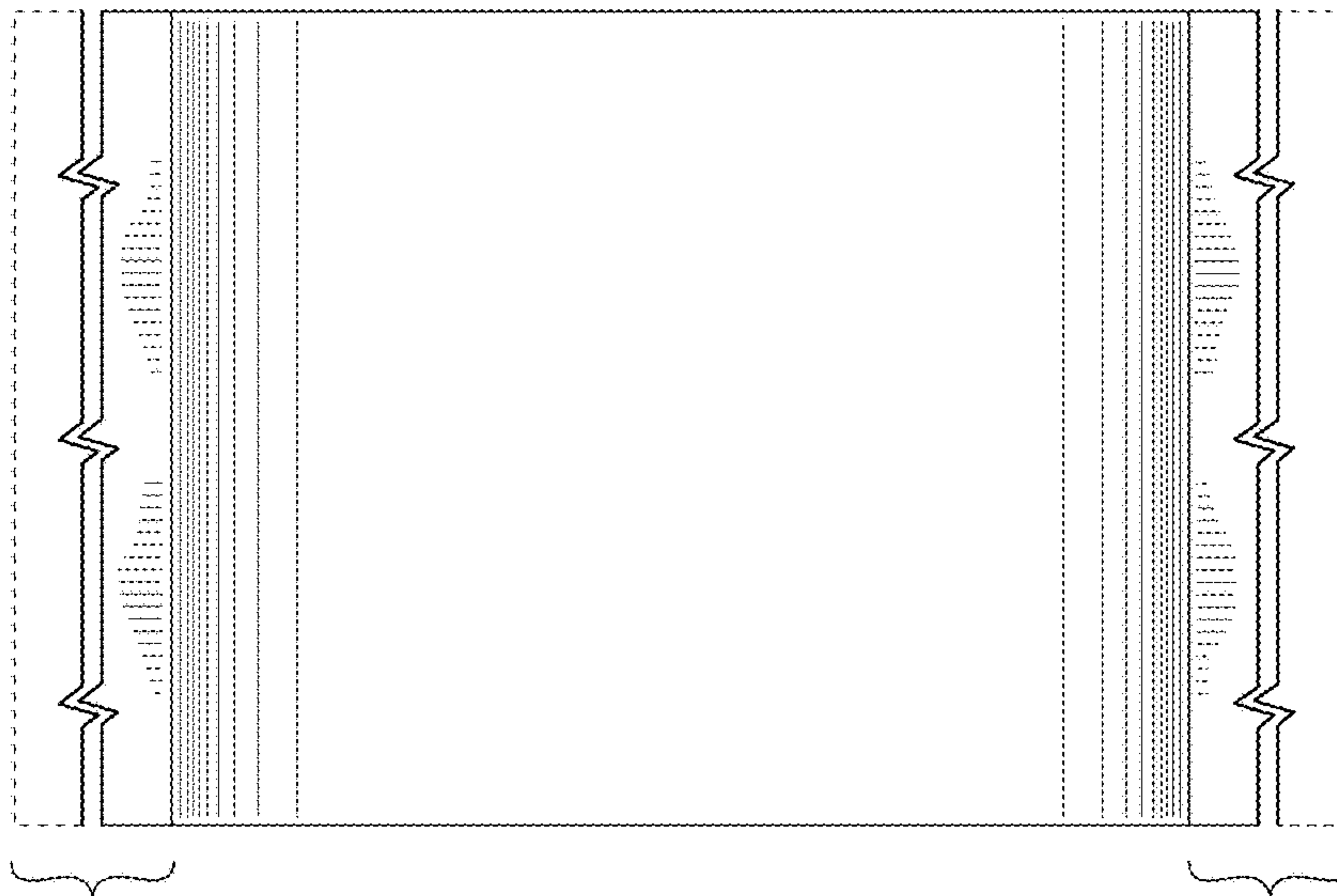


FIG. 24