



US00D856307S

(12) **United States Design Patent**
Maeda

(10) **Patent No.:** **US D856,307 S**

(45) **Date of Patent:** **** Aug. 13, 2019**

(54) **REMOTE CONTROL FOR EARPHONE**

D728,528 S * 5/2015 Akana D14/218
D730,873 S * 6/2015 Petterson D14/218
D743,381 S * 11/2015 Pi D14/218

(71) Applicant: **JVC KENWOOD Corporation**,
Yokohama-shi, Kanagawa (JP)

(Continued)

(72) Inventor: **Takaaki Maeda**, Yokohama (JP)

FOREIGN PATENT DOCUMENTS

(73) Assignee: **JVC KENWOOD Corporation**,
Yokohama-shi (JP)

EM 0044156404-0002 * 9/2017

(**) Term: **15 Years**

(21) Appl. No.: **29/636,377**

(22) Filed: **Feb. 8, 2018**

OTHER PUBLICATIONS

Amazon.com: In-Ear Earbuds Headphones with Mic Controller, reviews 2018, <https://www.amazon.com/Headphones-Controller-Isolating-Earphones-Exercise/dp/B078MBR62T#customerReviews>, site visited Mar. 4, 2019.*

(Continued)

(30) **Foreign Application Priority Data**

Aug. 10, 2017 (JP) 2017-017411

(51) **LOC (12) Cl.** **14-03**

(52) **U.S. Cl.**
USPC **D14/218**

(58) **Field of Classification Search**
USPC D14/218; D13/168
CPC G09G 5/00; G06F 3/033
See application file for complete search history.

Primary Examiner — John Windmuller

Assistant Examiner — John R Yeh

(74) *Attorney, Agent, or Firm* — Amin, Turocy & Watson LLP

(57) **CLAIM**

The ornamental design for a remote control for earphone, as shown and described.

DESCRIPTION

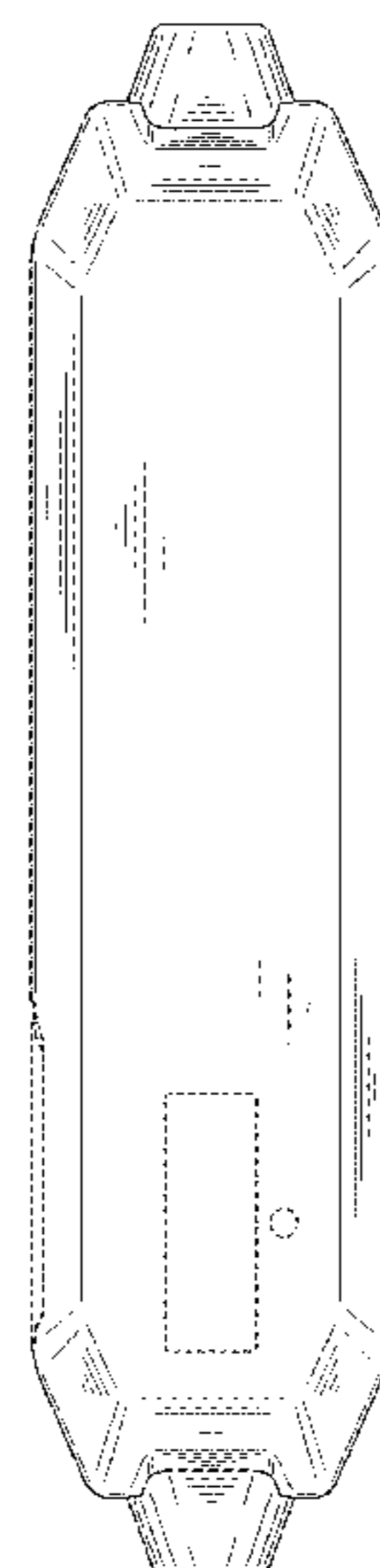
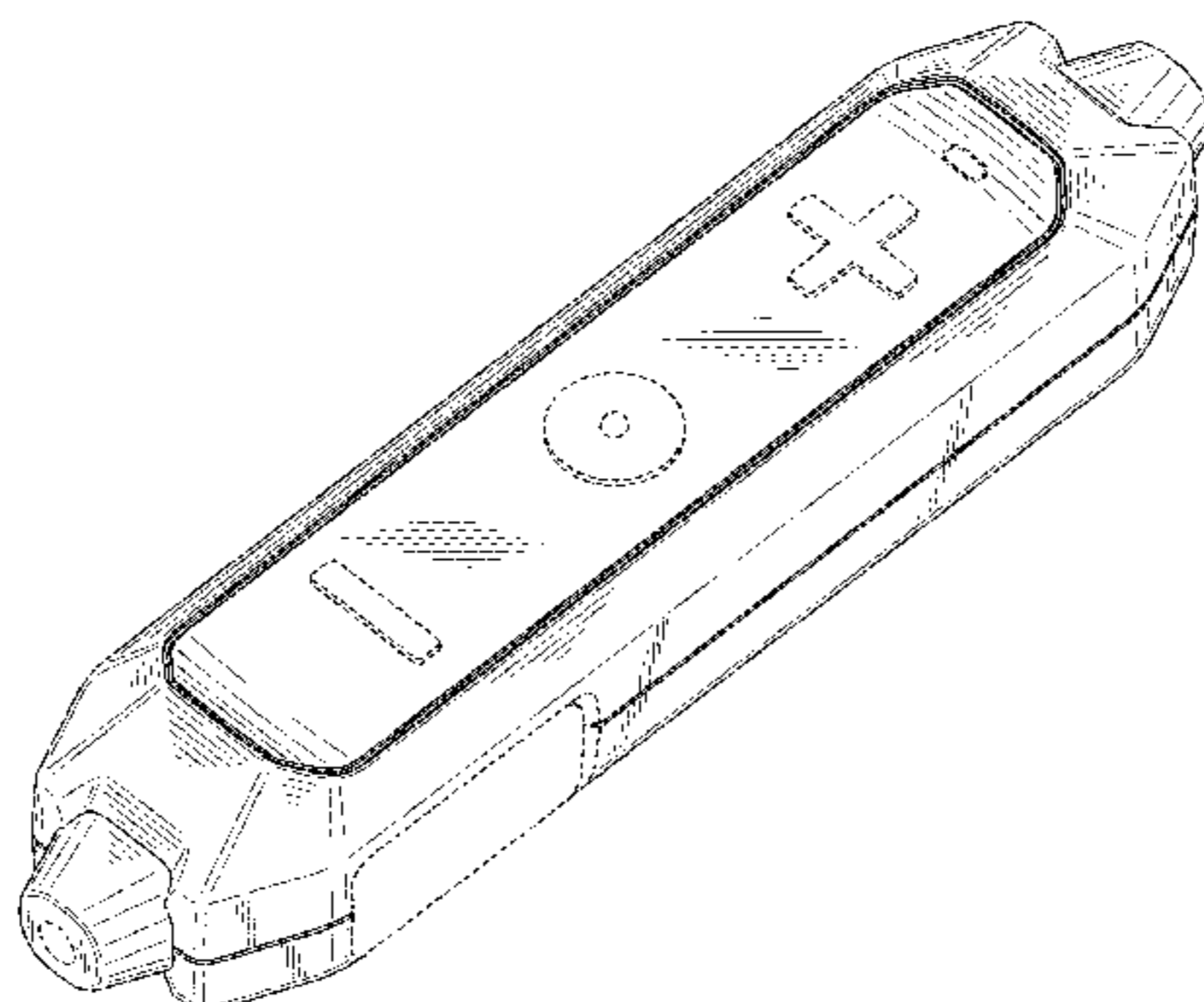
FIG. 1 is a front, top and right-side perspective view of a remote control for earphone showing my new design; FIG. 2 is a rear, bottom and left-side perspective view thereof; FIG. 3 is a front elevational view thereof; FIG. 4 is a rear elevational view thereof; FIG. 5 is a top plan view thereof; FIG. 6 is a bottom plan view thereof; FIG. 7 is a right-side elevational view thereof; FIG. 8 is a left-side elevational view thereof; and, FIG. 9 is a reference view thereof showing a state of use. The broken lines of the drawings represent portions of the remote control for earphone that are not part of the claimed design.

(56) **References Cited**

U.S. PATENT DOCUMENTS

D271,301 S * 11/1983 Manning D13/168
D334,043 S * 3/1993 Taniguchi D14/218
D524,295 S * 7/2006 Jacobson D14/218
D524,297 S * 7/2006 Lee D14/218
D569,841 S * 5/2008 Chung D14/205
D606,980 S * 12/2009 Bradford D14/218
D614,166 S * 4/2010 Brickstad D14/205
D614,167 S * 4/2010 Brickstad D14/205
D687,416 S * 8/2013 Lee D14/218
D716,268 S * 10/2014 Yamamoto D14/218
D716,758 S * 11/2014 Burgett D14/205
D718,273 S * 11/2014 Harata D14/205
D726,831 S * 4/2015 Lee D13/168

1 Claim, 8 Drawing Sheets



(56)

References Cited

U.S. PATENT DOCUMENTS

D747,293 S * 1/2016 Mistry D13/168
D788,077 S * 5/2017 Ducret D14/218
D793,995 S * 8/2017 Nakagawa D14/218
D813,204 S * 3/2018 Ducret D14/218
D822,643 S * 7/2018 Chen D14/218
2014/0254848 A1* 9/2014 Petterson H04R 1/1041
381/334

OTHER PUBLICATIONS

Amazon.com: JVC HAFR6B Gumy Plus Headphones, reviews 2015, <https://www.amazon.com/JVC-HAFR6B-Gumy-Headphones-Black/dp/B00BBOSE6M#customerReviews>, site visited Mar. 4, 2019.*
Amazon.com: JVC Wireless Earbud, reviews 2018, https://www.amazon.com/JVC-Wireless-Earbud-Black-HAFX9BTB/dp/B076FBXNHD/ref=cm_cr_arp_d_product_top?ie=UTF8, site visited Mar. 4, 2019.*

* cited by examiner

FIG. 1

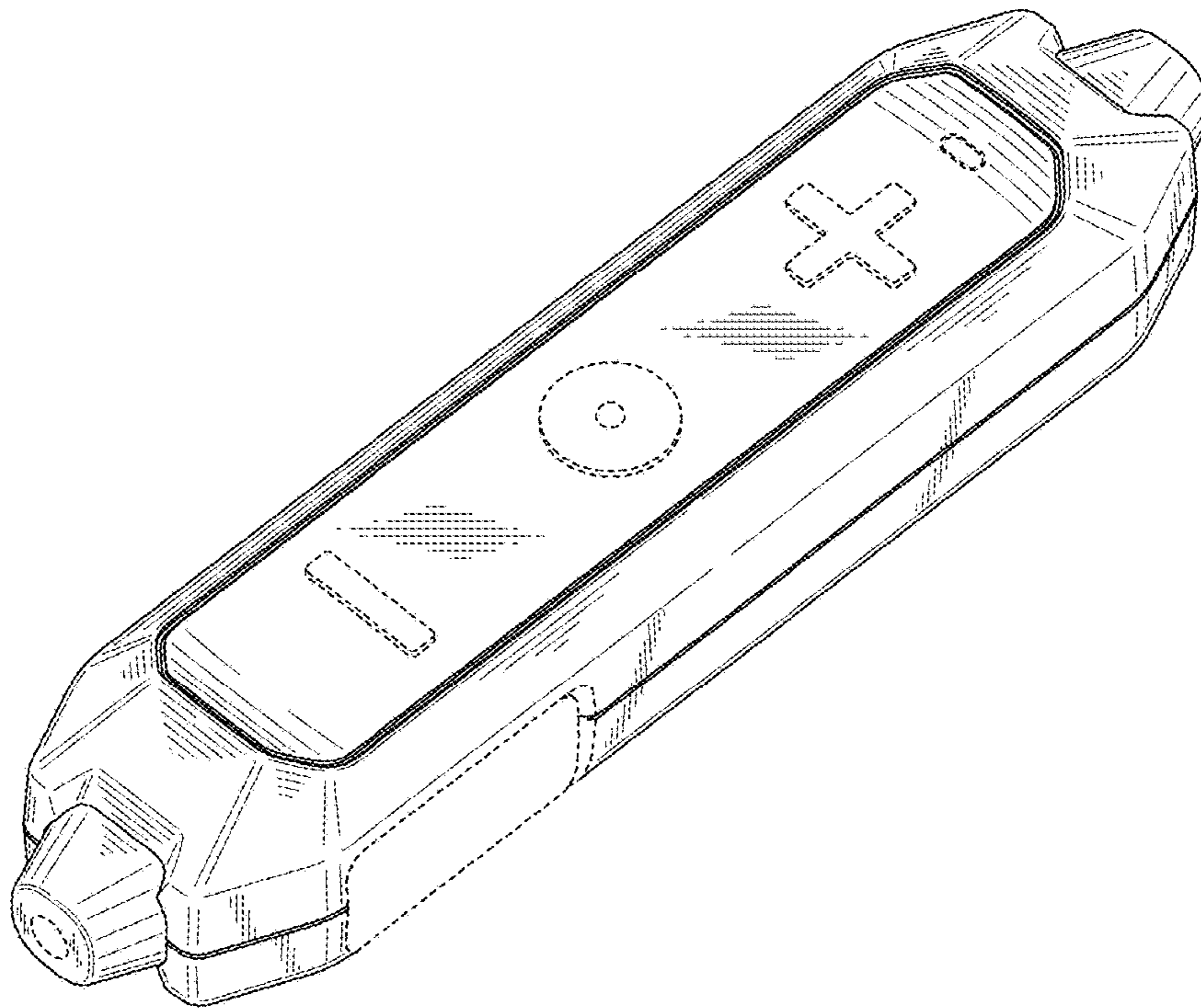


FIG. 2

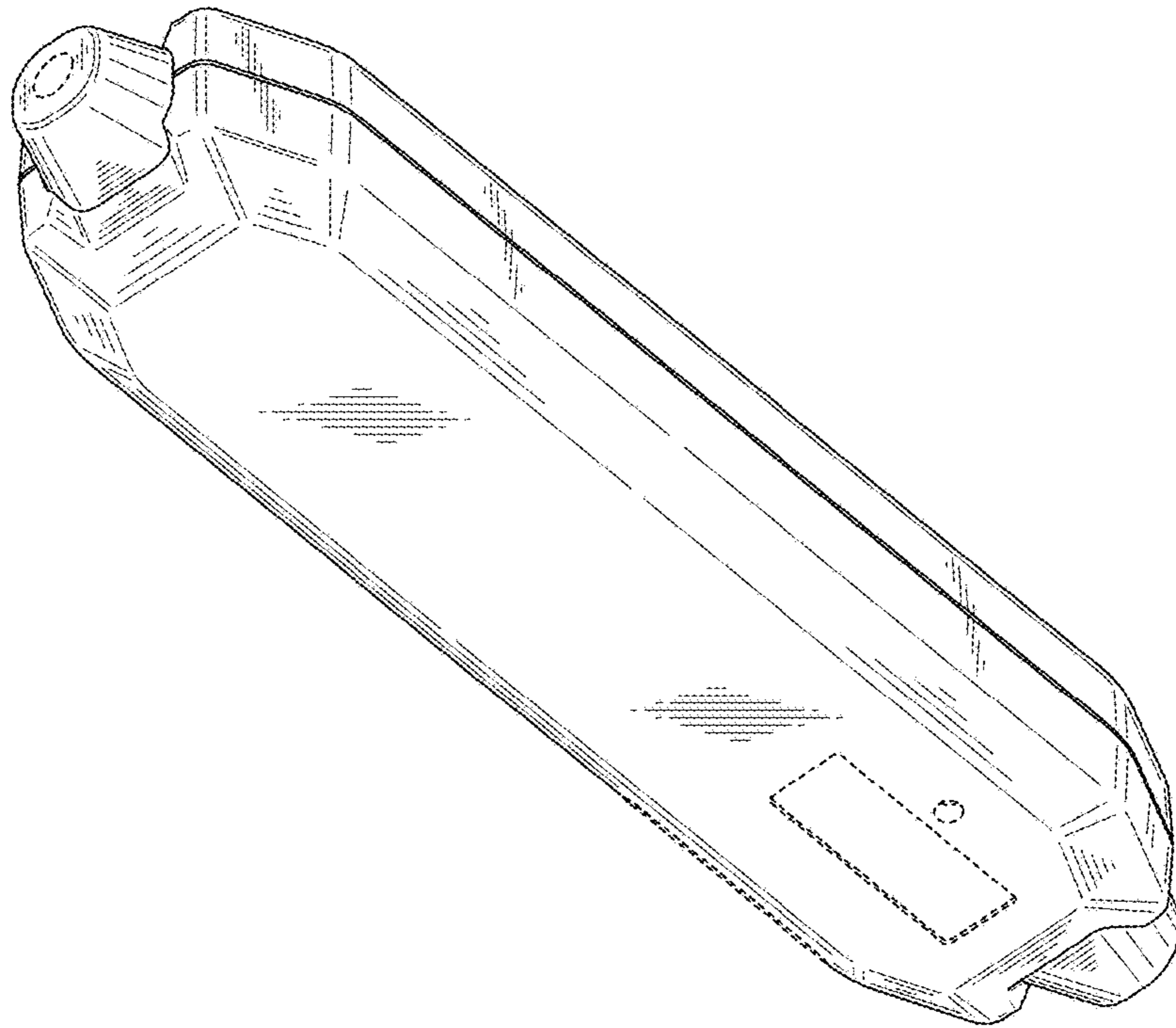


FIG. 3

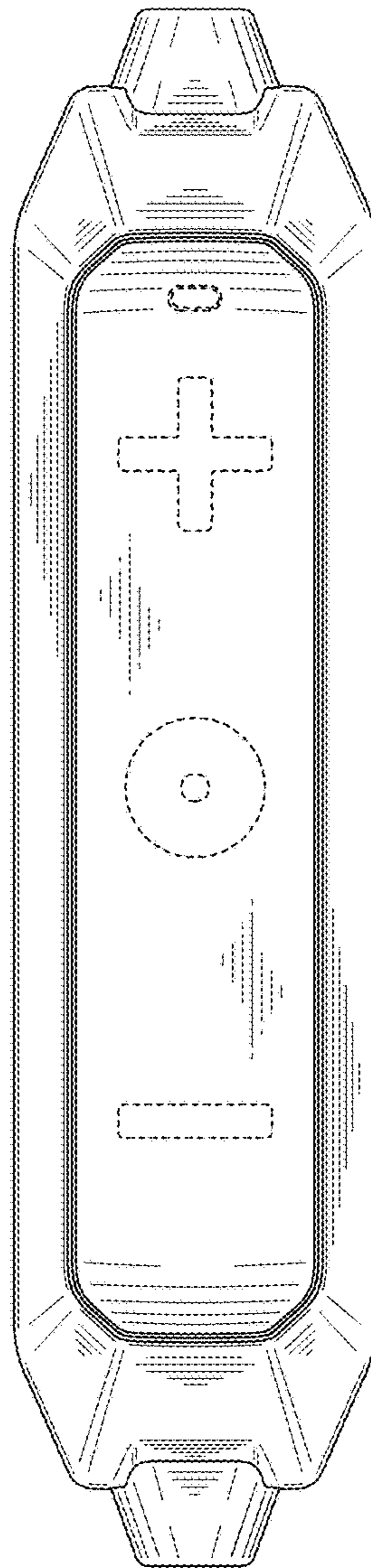


FIG. 4

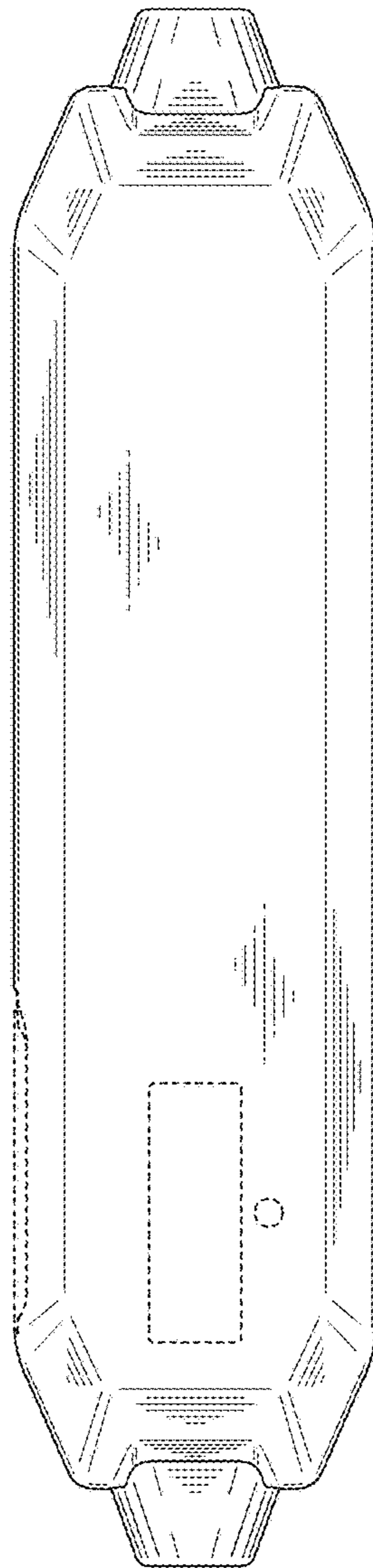


FIG. 5

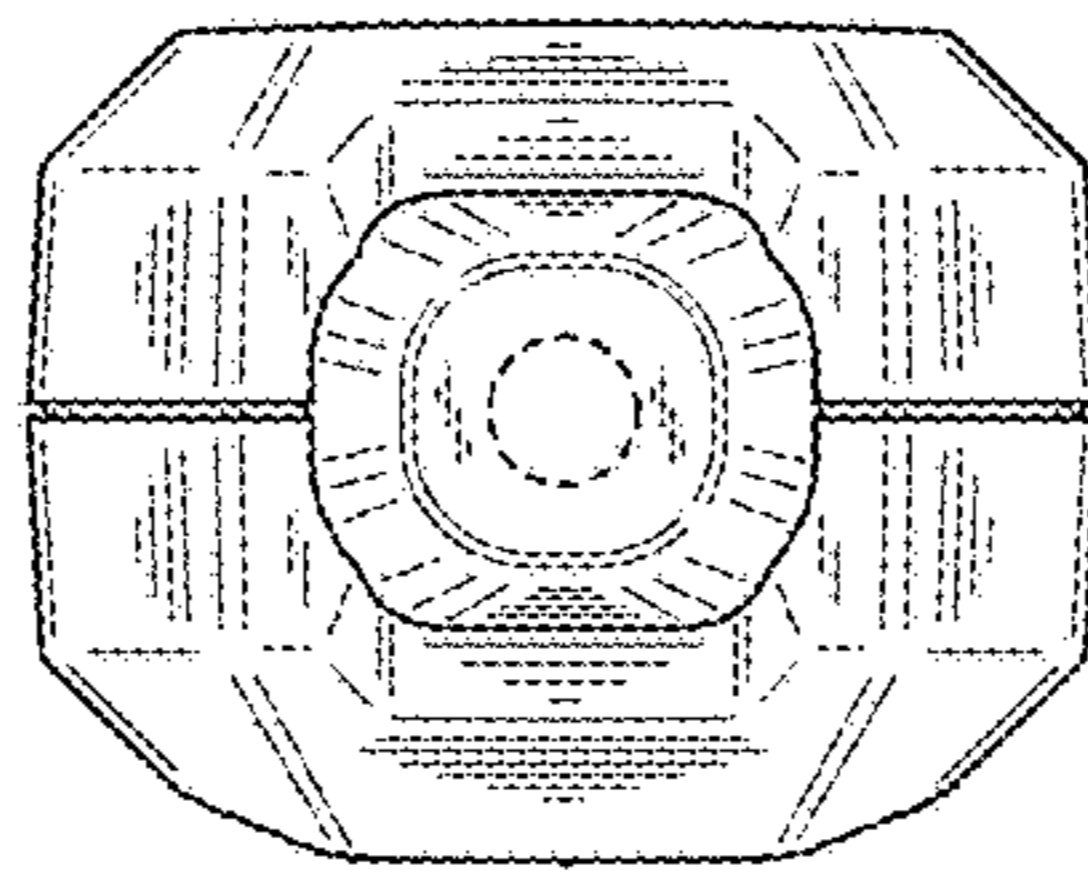


FIG. 6

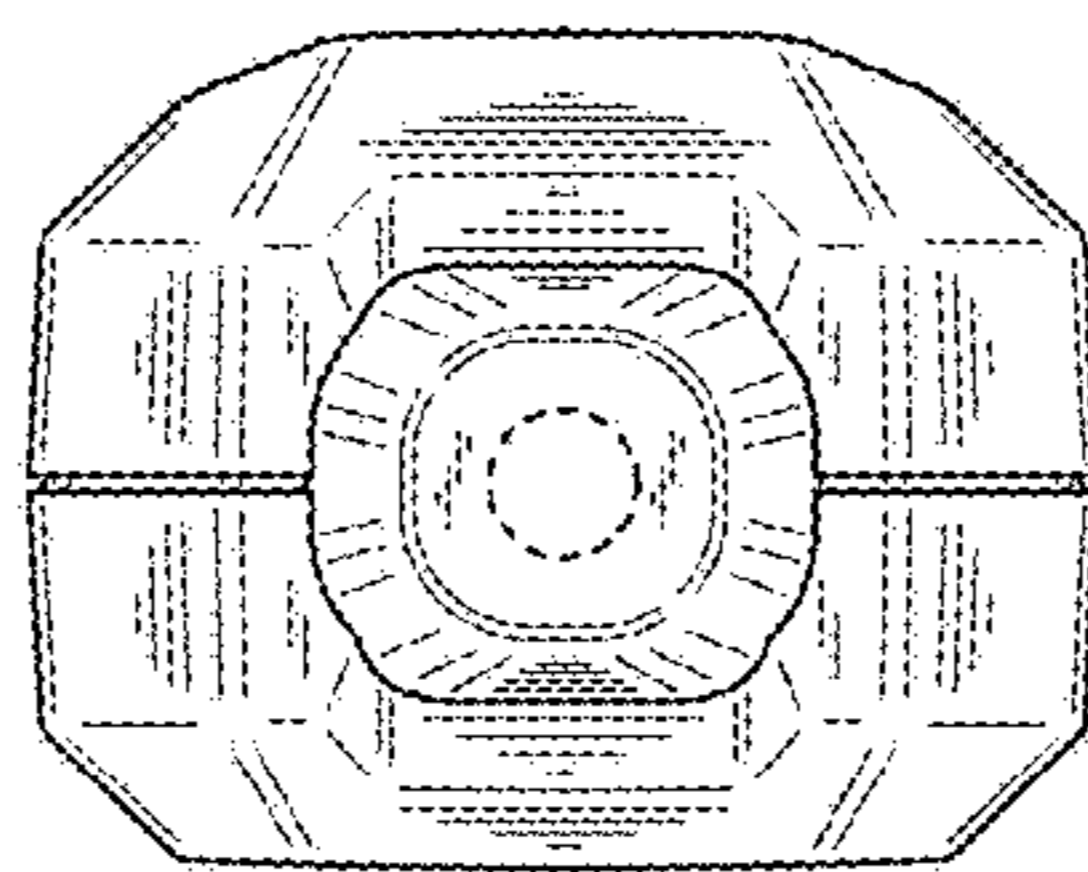


FIG. 7

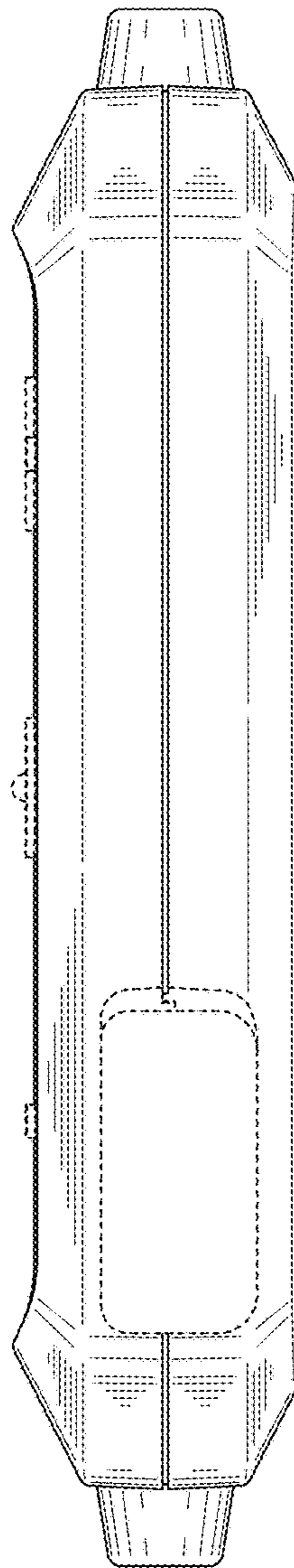


FIG. 8

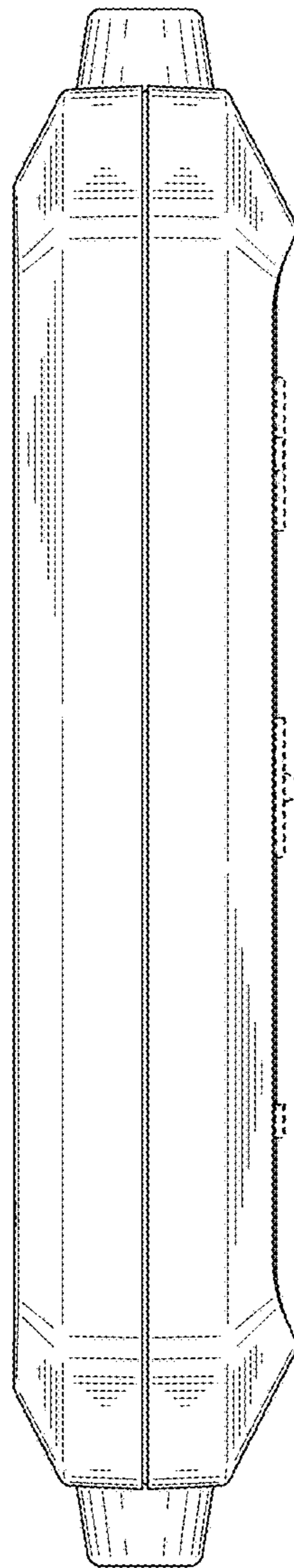


FIG. 9

