



US00D856306S

(12) **United States Design Patent** (10) **Patent No.:** **US D856,306 S**
Dayan (45) **Date of Patent:** **** Aug. 13, 2019**

(54) **FINGER RESTRAINING DEVICE FOR A KEYBOARD**

(71) Applicant: **Dalia Dayan**, Bethpage, NY (US)

(72) Inventor: **Dalia Dayan**, Bethpage, NY (US)

(**) Term: **15 Years**

(21) Appl. No.: **29/617,197**

(22) Filed: **Sep. 12, 2017**

(51) **LOC (12) Cl.** **14-03**

(52) **U.S. Cl.**
USPC **D14/217**

(58) **Field of Classification Search**

USPC 600/38, 39, 41; 128/184, 186, 869, 870,
128/875, 826, 878, 879, 880; D14/184,
D14/186, 869, 870, 875, 826, 878, 879,
D14/880

CPC A61M 25/10; A61M 2025/0003; A61M
39/22; A61M 1/0064; A61M 2025/0681;
A61M 2025/1054; A61M 2025/1065;
A61M 2039/0009; A61M 2205/3368;
A61M 2210/1078; A61M 25/007; A61M
25/0074; A61M 25/09041; A61M
25/1002; A61M 25/1025; A61M 29/02;
A61M 39/223; A61M 39/28; A61M 5/20;
A61M 16/00; A61M 16/0003; A61M
16/0066; A61M 16/0069; A61M 16/024;
A61M 16/0672; A61M 16/109; A61M
16/1095; A61M 16/16; A61M 16/161;
A61M 2005/2026; A61M 2005/206;
A61M 2005/2407; A61M 2005/2414;
A61M 2005/2488; A61M 2005/3114;
A61M 2005/3123; A61M 2005/3126;
A61M 2005/3128; A61M 2016/0027;
A61M 2016/0039; A61M 2021/0027;
A61M 2021/0066; A61M 2025/015;
A61M 2025/091; A61M 2025/09116;
A61M 2025/09125; A61M 21/02; A61M
2205/3569; A61M 2205/3592; A61M

(Continued)

(56) **References Cited**

U.S. PATENT DOCUMENTS

897,471 A 9/1908 Loyola
2,222,180 A 11/1940 Marsh

(Continued)

Primary Examiner — Khawaja Anwar

(74) *Attorney, Agent, or Firm* — Peter A Hurley; Richard L. Miller

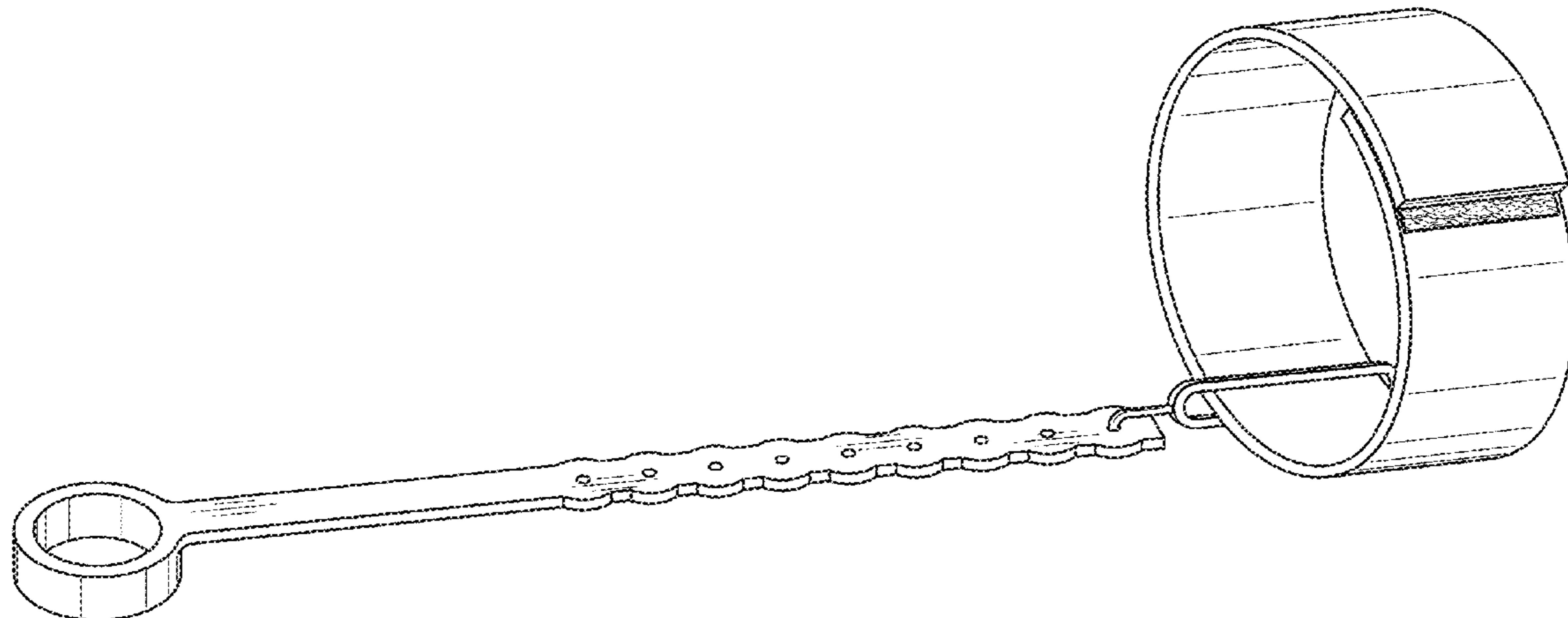
(57) **CLAIM**

The ornamental design for a finger restraining device for a keyboard, as shown and described.

DESCRIPTION

FIG. 1 is a perspective view of a finger restraining device for a keyboard showing my new design;
FIG. 2 is a right side elevational view thereof, taken in the direction of arrow 2 in FIG. 8;
FIG. 3 is a first end elevational view thereof, taken in the direction of arrow 3 in FIG. 8;
FIG. 4 is a left side elevational view thereof, taken in the direction of arrow 4 in FIG. 8;
FIG. 5 is a second end elevational view thereof, taken in the direction of arrow 5 in FIG. 8;
FIG. 6 is a top plan view thereof, taken in the direction of arrow 6 in FIG. 8;
FIG. 7 is a bottom plan view thereof, taken in the direction of arrow 7 in FIG. 8; and,
FIG. 8 is a view identical to FIG. 1 with descriptive legend directional arrows included which are necessary for better understanding of the drawing in accordance with 37 CFR 1.84 and appropriate with good engineering practices, so as to best indicate in what directions previous views are taken so that nothing regarding the design sought to be patented is ambiguous or left to conjecture.

1 Claim, 4 Drawing Sheets



US D856,306 S

Page 2

(58) **Field of Classification Search**

CPC 2205/3653; A61M 2205/42; A61M
2205/581; A61M 2205/582; A61M
25/0147; A61M 25/0169; A61M 25/0662;
A61M 25/09; A61M 39/10; A61M 5/002;
A61M 5/142; A61M 5/152; A61M
5/1782; A61M 5/24; A61M 5/31; A61M
5/31541; A61M 5/31543; A61M 5/31551;
A61M 5/31571; A61M 5/31853; A61M
5/31591; A61M 5/3287; A61M 5/42;
A61M 5/427

See application file for complete search history.

(56)

References Cited

U.S. PATENT DOCUMENTS

D255,494 S * 6/1980 Weidinger 128/DIG. 20
4,765,608 A 8/1988 Bonasera

5,413,554 A * 5/1995 Trueman A61F 5/05866
482/48
5,447,490 A * 9/1995 Fula A63B 21/0004
482/124
5,723,785 A * 3/1998 Manning A61B 5/1107
482/48
6,982,375 B2 1/2006 McGregor
7,731,633 B1 6/2010 Williams
8,177,667 B2 * 5/2012 Menchio A63B 71/14
473/422
8,905,917 B2 * 12/2014 Tait A61B 19/00
600/38
D721,858 S * 1/2015 Haigh D29/120.2
9,039,599 B2 * 5/2015 Imboden A61H 1/00
600/38
9,387,110 B2 * 7/2016 Kelly A61F 5/0118
2006/0247102 A1 * 11/2006 Kupferman A63B 21/0004
482/44
2007/0254780 A1 * 11/2007 Findeisen A63B 23/10
482/48

* cited by examiner

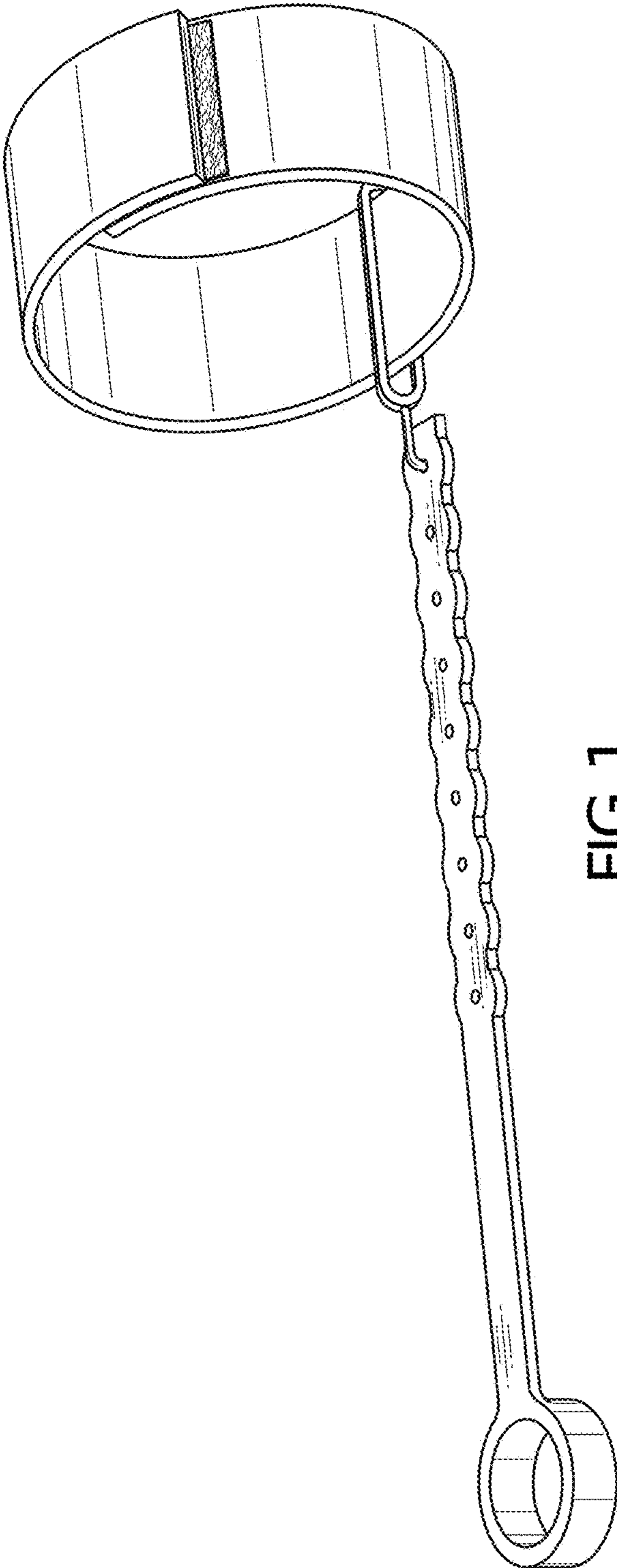


FIG. 1

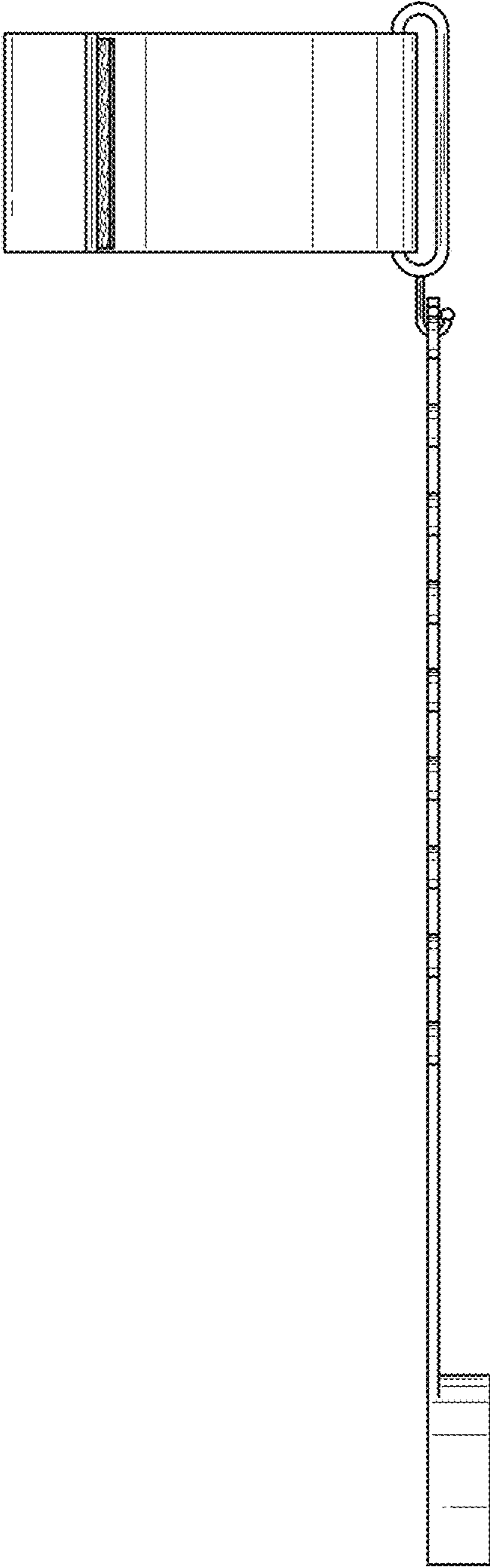


FIG. 2

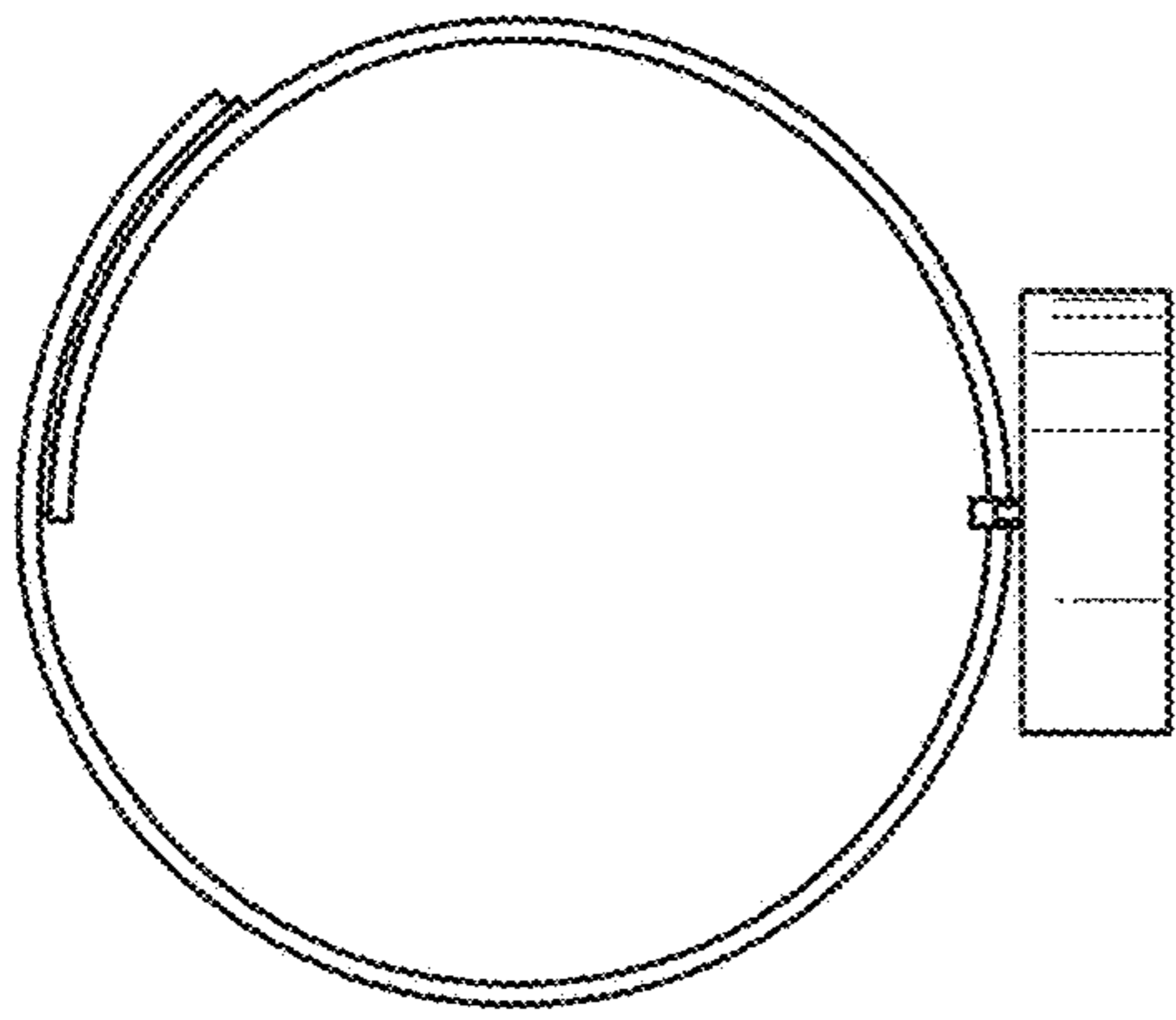


FIG. 3

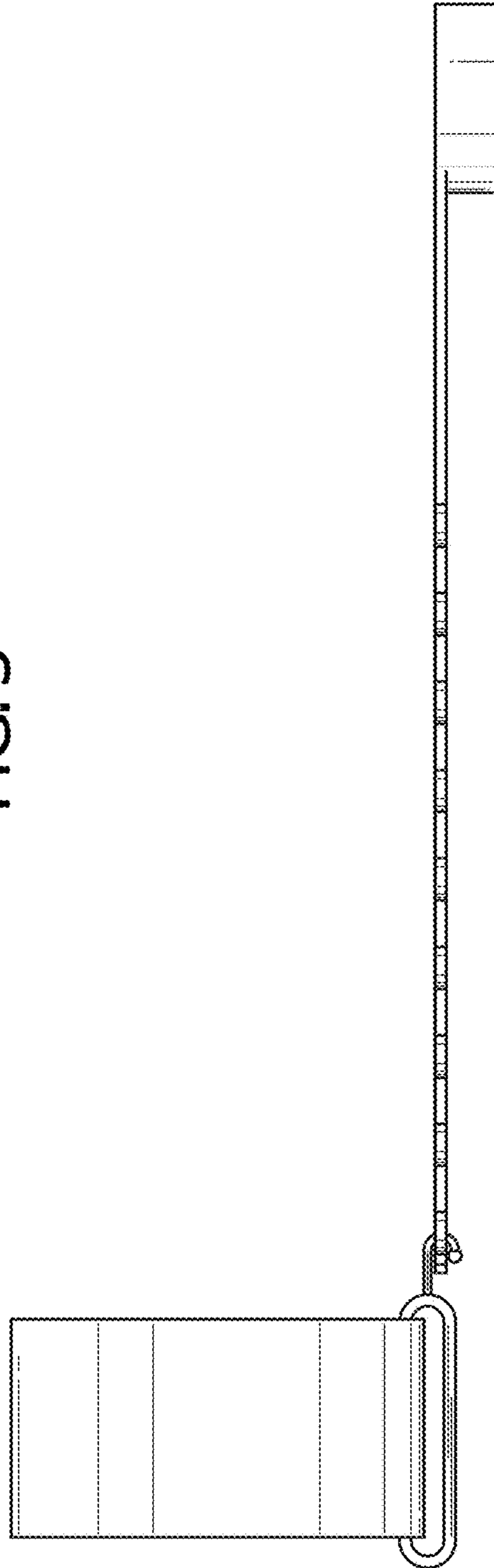


FIG. 4

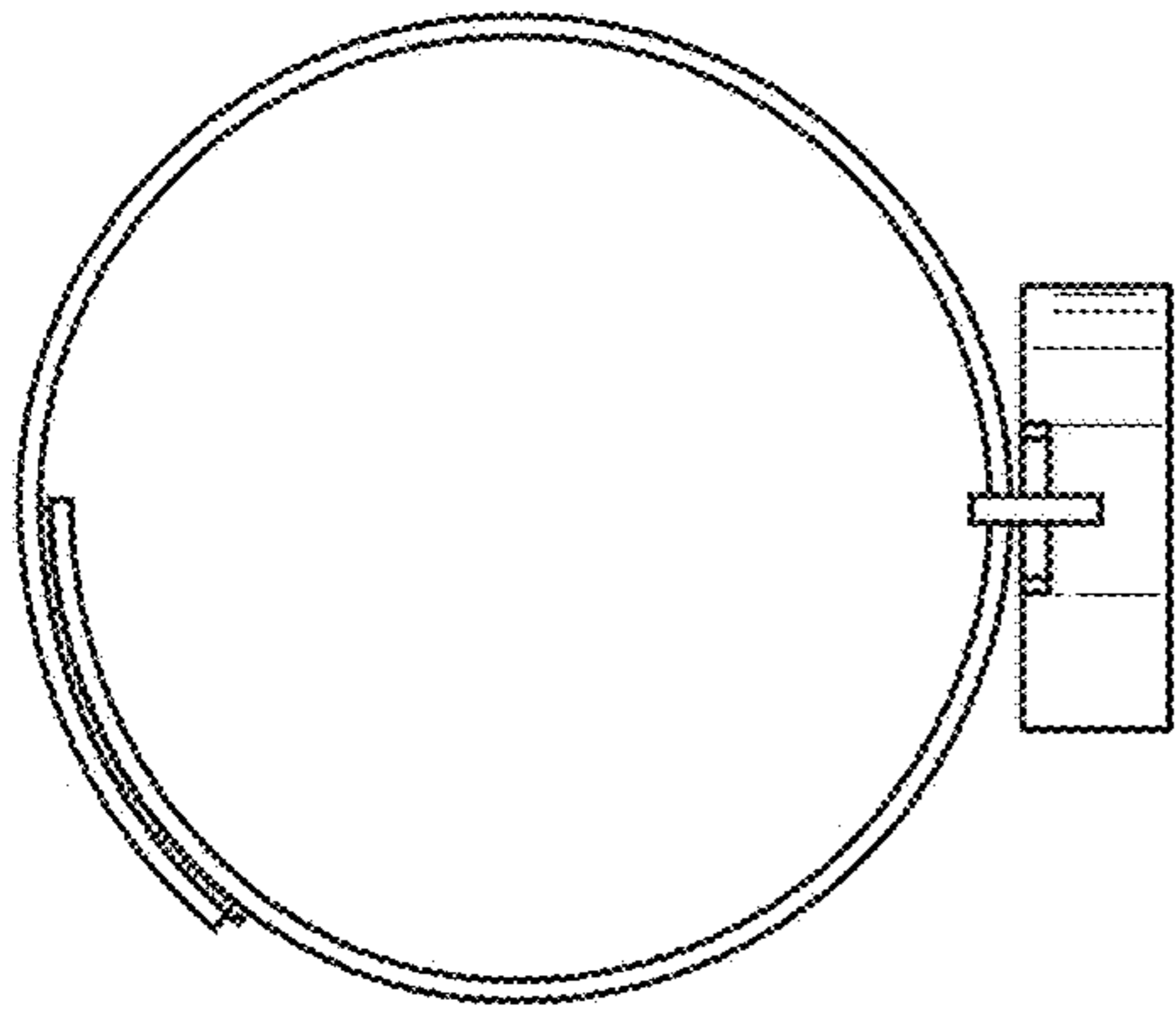


FIG. 5

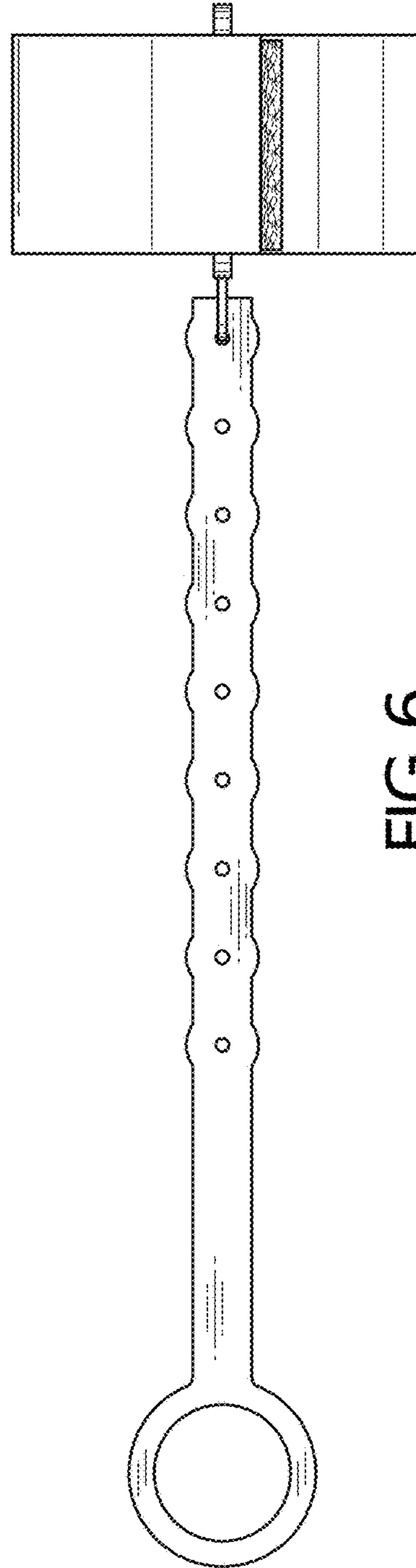


FIG. 6

