



(12) **United States Design Patent**
Ando et al.

(10) **Patent No.:** **US D856,303 S**
(45) **Date of Patent:** **** Aug. 13, 2019**

- (54) **HEADPHONE**
- (71) Applicant: **JVC KENWOOD Corporation**,
Yokohama-shi, Kanagawa (JP)
- (72) Inventors: **Yui Ando**, Yokohama (JP); **Arwa Borsadwala**, Yokohama (JP); **Satoshi Yoshimura**, Yokohama (JP)
- (73) Assignee: **JVC KENWOOD Corporation**,
Yokohama-shi (JP)
- (**) Term: **15 Years**
- (21) Appl. No.: **29/636,381**
- (22) Filed: **Feb. 8, 2018**
- (30) **Foreign Application Priority Data**
Aug. 10, 2017 (JP) 2017-017407
- (51) **LOC (12) Cl.** **14-01**
- (52) **U.S. Cl.**
USPC **D14/205**
- (58) **Field of Classification Search**
USPC D14/205, 223, 188, 192; D29/112;
2/209; 181/129, 130, 135; 379/430, 431;
381/380, 381, 370; 455/90.3, 575.1,
455/569.1
CPC H04R 1/1066; H04R 1/1016; H04R 25/00;
H04R 5/033; H04R 5/0335; H04R 1/105;
H04R 1/1091; H04R 1/1058
See application file for complete search history.

- (56) **References Cited**
U.S. PATENT DOCUMENTS
D286,772 S * 11/1986 Pope D14/205
4,689,822 A * 8/1987 Houng H04R 1/1066
381/371
D328,074 S * 7/1992 Yamazaki D14/205
D346,802 S * 5/1994 Sacherman D14/206

- D348,465 S * 7/1994 Yamatogi D14/205
- D351,597 S * 10/1994 Nakamura D14/205
- 5,420,935 A * 5/1995 Shinohara H04R 1/1016
379/431
- D371,558 S * 7/1996 Yoshizawa D14/205
- D386,181 S * 11/1997 Fisher D14/192
- 5,793,878 A * 8/1998 Chang H04R 5/0335
381/370
- D399,206 S * 10/1998 Yasutomi D14/205
- D435,249 S * 12/2000 Yasutomi D14/205
- D484,485 S * 12/2003 Matsuoka D14/205
- D505,411 S * 5/2005 Sakai D14/192
- 7,072,483 B2 * 7/2006 Lenhard-Backhaus
H04R 1/1066
381/370
- D534,155 S * 12/2006 Obata D14/205
- D534,156 S * 12/2006 Obata D14/205
- 7,388,960 B2 * 6/2008 Kuo H04R 1/1041
379/430

(Continued)

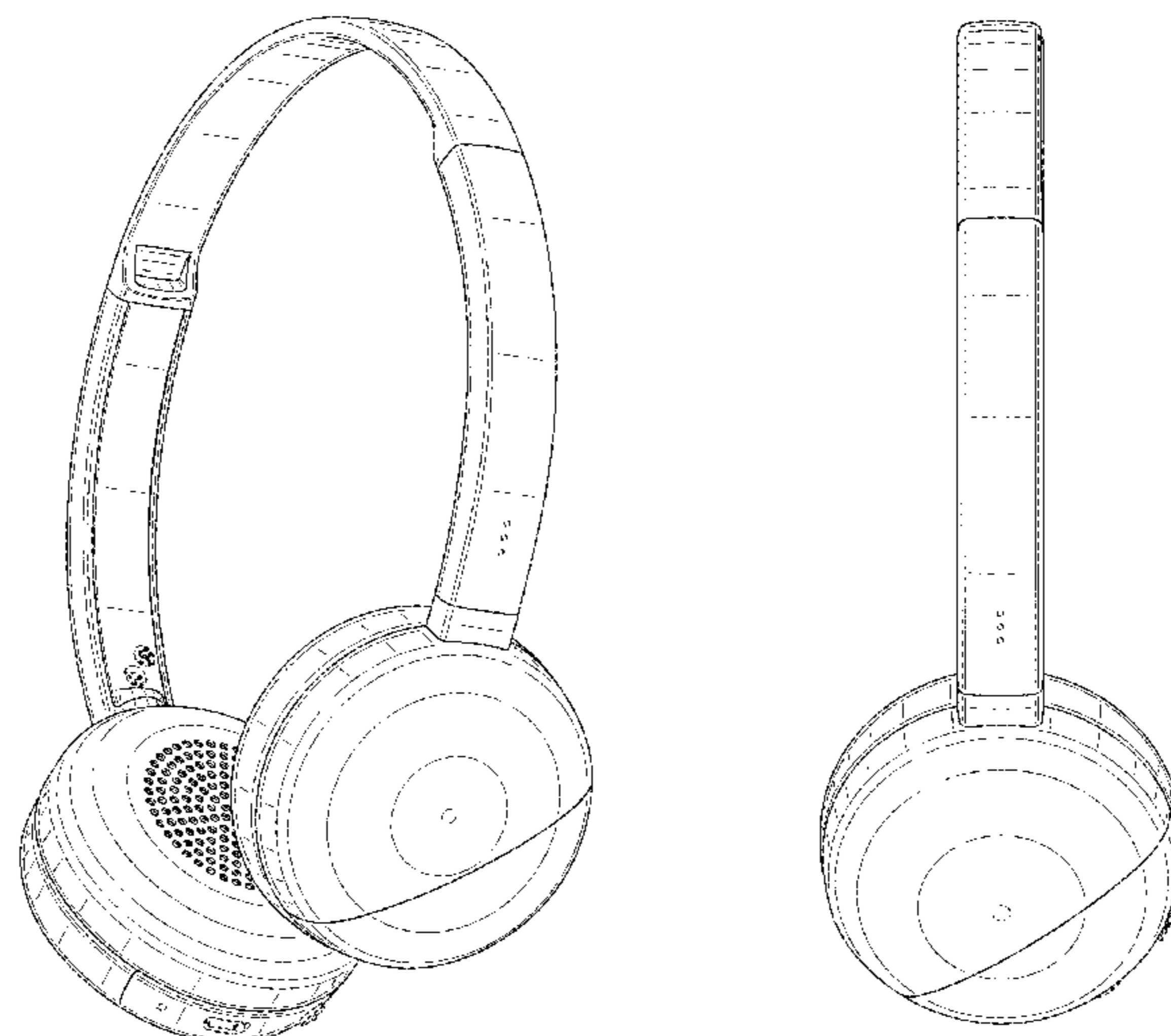
Primary Examiner — Paula Allen Greene
(74) *Attorney, Agent, or Firm* — Amin, Turocy & Watson
LLP

(57) **CLAIM**
The ornamental design for a headphone, as shown and described.

DESCRIPTION

FIG. 1 is a front, bottom and right-side perspective view of a headphone showing our new design;
FIG. 2 is a rear, bottom and left-side perspective view thereof;
FIG. 3 is a front elevational view thereof;
FIG. 4 is a rear elevational view thereof;
FIG. 5 is a top plan view thereof;
FIG. 6 is a bottom plan view thereof;
FIG. 7 is a right-side elevational view thereof; and,
FIG. 8 is a left-side elevational view thereof.
The broken lines of the drawings represent portions of the headphone that are not part of the claimed design.

1 Claim, 8 Drawing Sheets



(56)

References Cited

U.S. PATENT DOCUMENTS

D573,581 S * 7/2008 Gondo D14/205
D588,098 S * 3/2009 Kurihara D14/205
D591,263 S * 4/2009 Shimizu D14/205
D593,995 S * 6/2009 Shimizu D14/205
D625,705 S * 10/2010 Ohori D14/205
D634,298 S * 3/2011 Shimizu D14/205
8,098,872 B2 * 1/2012 Chang H04R 1/1075
381/370
8,295,529 B2 * 10/2012 Petersen H04R 1/083
381/371
D673,136 S * 12/2012 Kelly D14/205
D683,329 S * 5/2013 Hagelin D14/205
D728,512 S * 5/2015 Nakagawa D14/205
D729,196 S * 5/2015 Liu D14/205
9,031,254 B2 * 5/2015 Heise H04R 1/1066
379/55.1
D733,090 S * 6/2015 Petersen D14/205
D746,790 S * 1/2016 Strasberg D14/205
D763,226 S * 8/2016 Petersen D14/205
D772,197 S * 11/2016 Hejazi D14/205
D790,503 S * 6/2017 Lok D14/205
D796,477 S * 9/2017 Minn D14/205
D807,322 S * 1/2018 Damboulev D14/205
D807,323 S * 1/2018 Wang D14/205
D840,970 S * 2/2019 Dryden D14/205
D840,971 S * 2/2019 Summerson D14/205
D840,973 S * 2/2019 Dryden D14/205
2010/0135515 A1 * 6/2010 Walsh H04R 1/1008
381/374
2010/0310093 A1 * 12/2010 Semcken H04R 1/1058
381/104
2016/0198250 A1 * 7/2016 Pan H04R 1/1041
381/74

* cited by examiner

FIG. 1

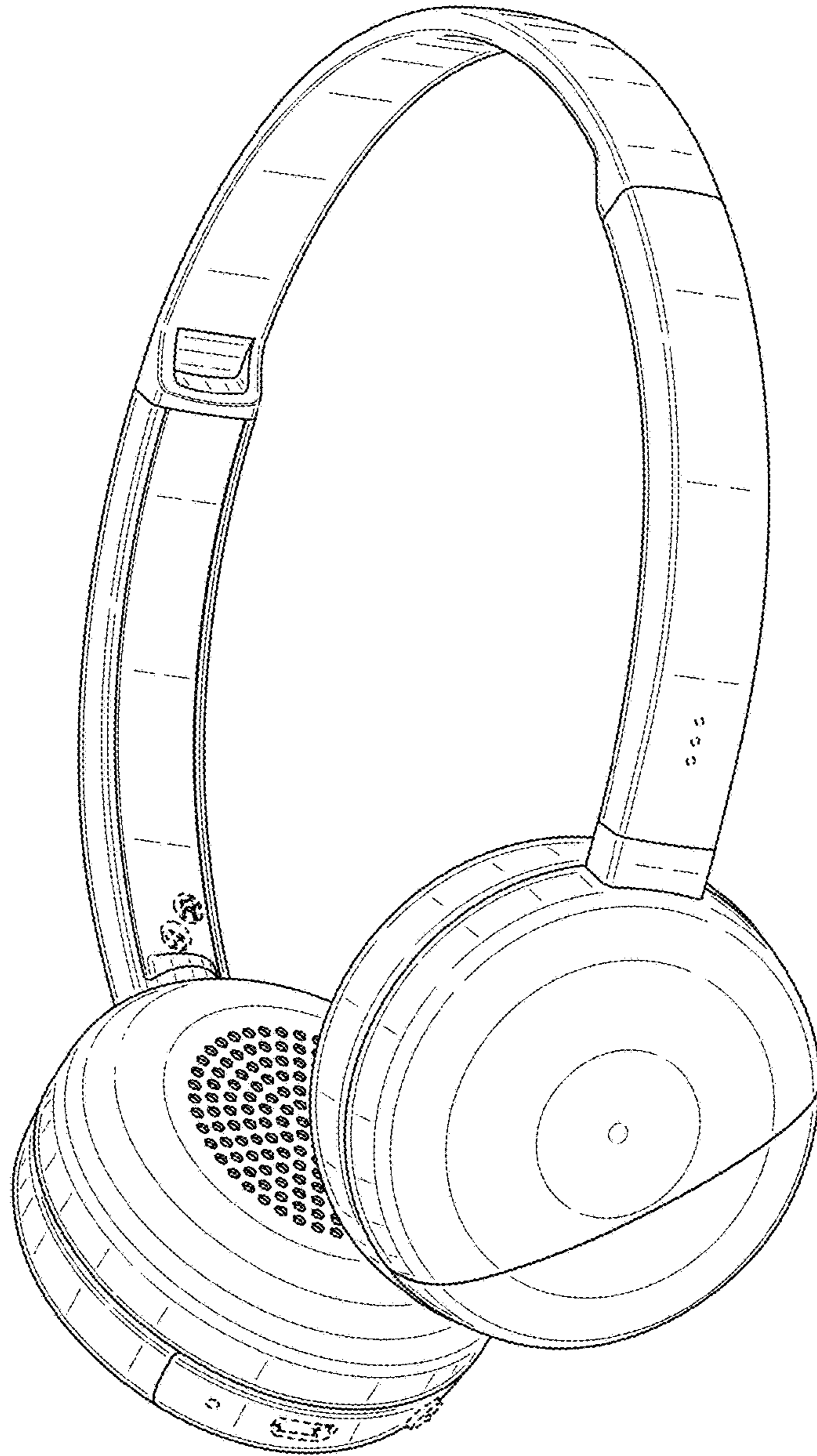


FIG. 2

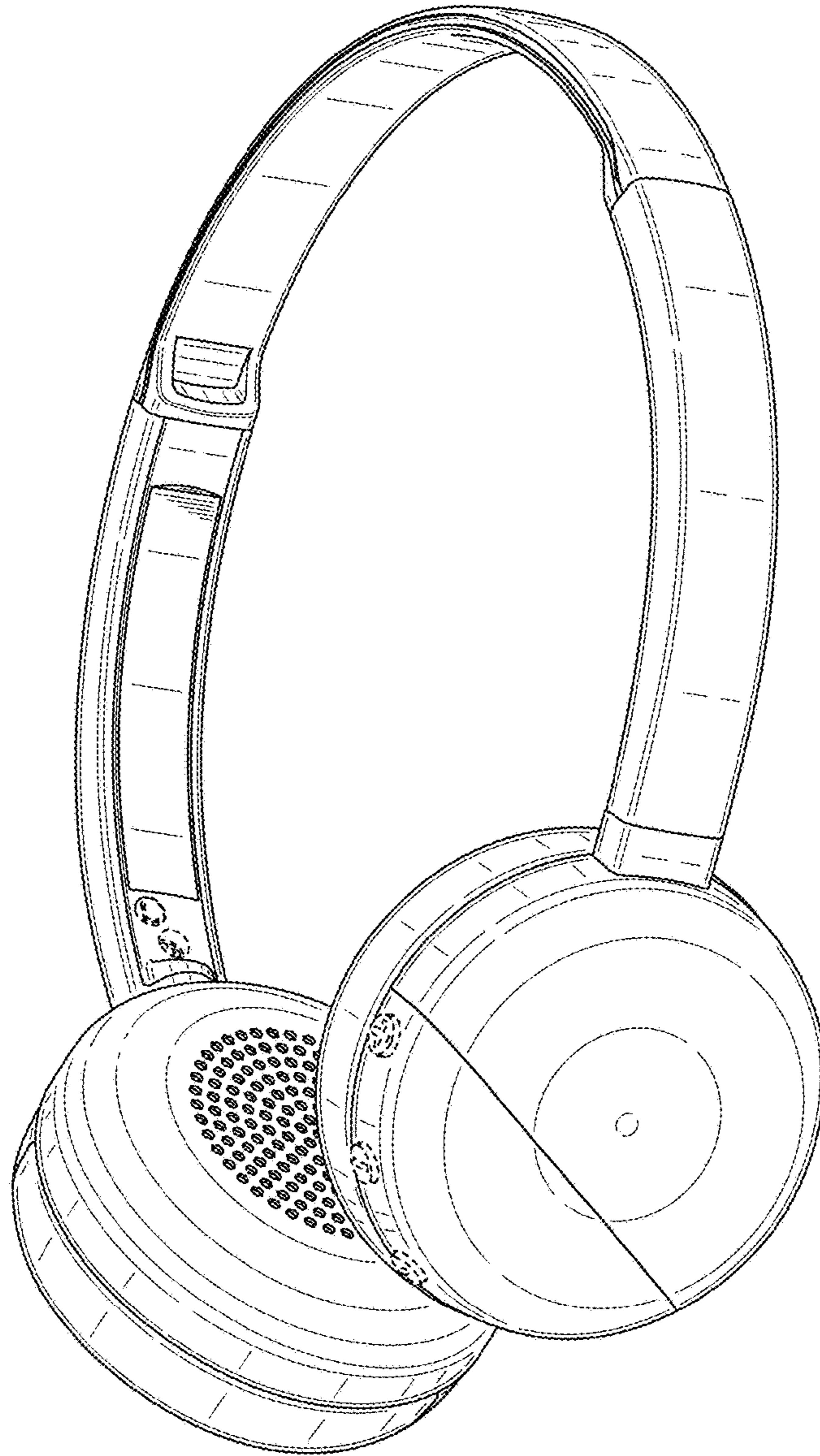


FIG. 3



FIG. 4



FIG. 5

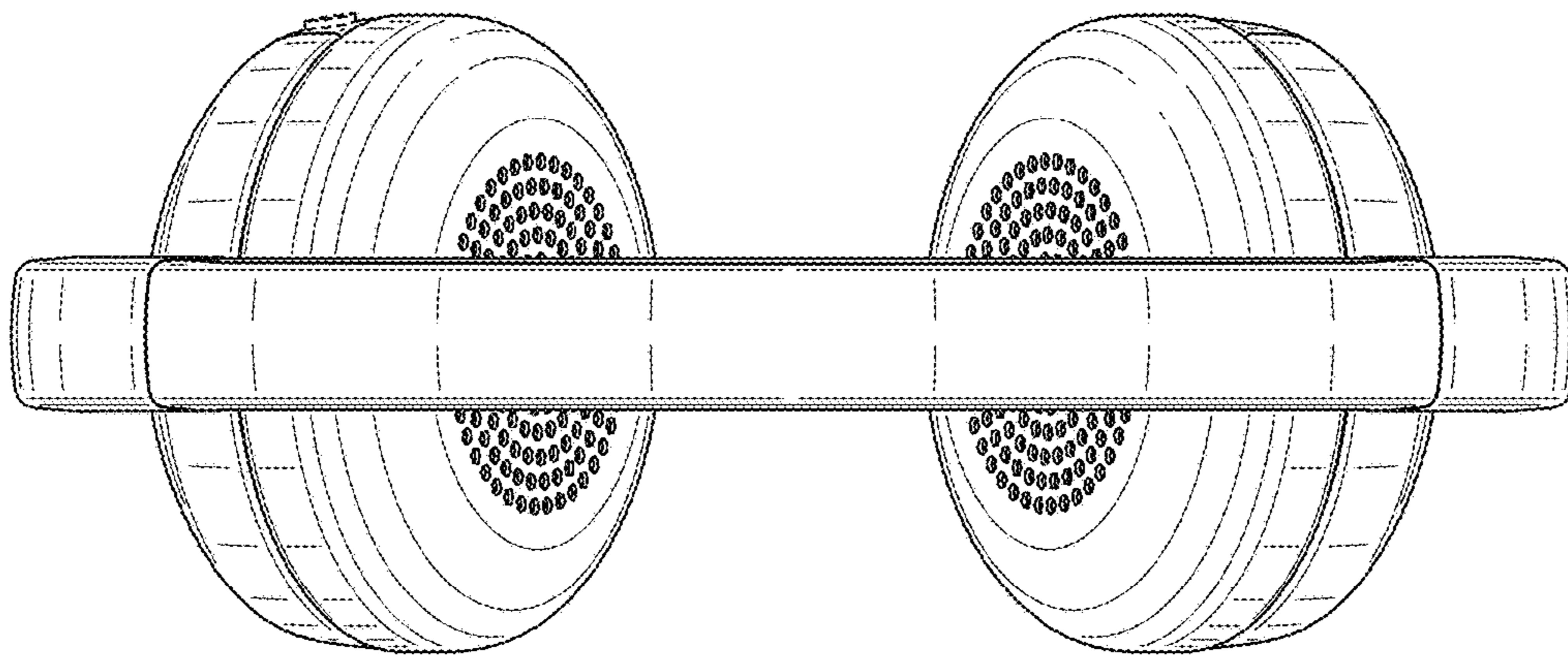


FIG. 6

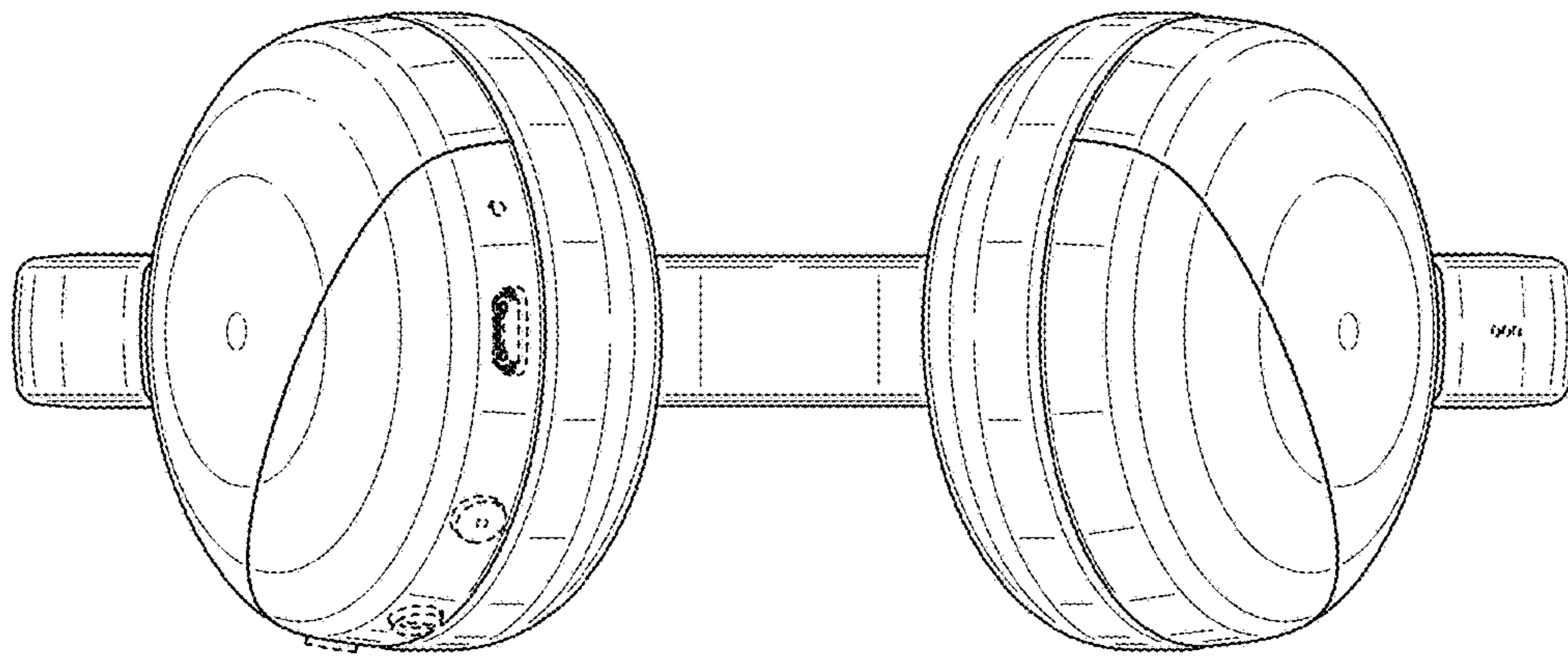


FIG. 7

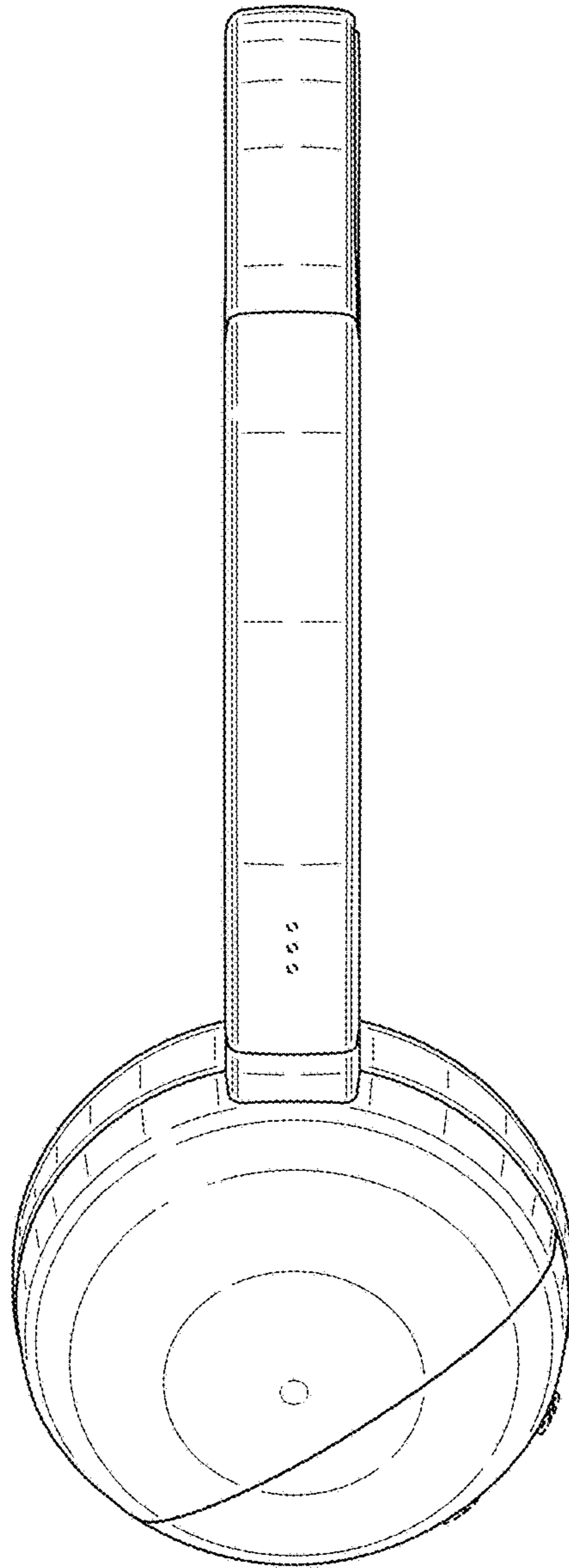


FIG. 8

