



US00D856301S

(12) **United States Design Patent**
Lum et al.

(10) **Patent No.:** **US D856,301 S**

(45) **Date of Patent:** **** Aug. 13, 2019**

(54) **LOUDSPEAKER**

(71) Applicant: **Harman International Industries, Incorporated**, Northridge, CA (US)

(72) Inventors: **Myk Wayne Lum**, Irvine, CA (US); **Michael W. Silber**, Simi Valley, CA (US); **Kasin Chan**, Corona, CA (US)

(73) Assignee: **Harman International Industries, Incorporated**, Northridge, CA (US)

(**) Term: **15 Years**

(21) Appl. No.: **29/621,304**

(22) Filed: **Oct. 6, 2017**

Related U.S. Application Data

(62) Division of application No. 29/540,589, filed on Sep. 25, 2015, now Pat. No. Des. 803,183.

(51) **LOC (12) Cl.** **14-01**

(52) **U.S. Cl.**
USPC **D14/204**

(58) **Field of Classification Search**

USPC D14/167, 188, 204, 209.1, 210–215, 348, D14/352, 498–505; 181/143, 144, 148, 181/153, 157, 198, 199; 369/6–12; 381/300–303, 361–364, 366, 386–388
CPC H04R 1/02; H04R 1/021; H04R 1/023; H04R 5/00; H04R 9/06; H04R 2420/07
See application file for complete search history.

(56) **References Cited**

U.S. PATENT DOCUMENTS

D445,776 S 7/2001 Ishii et al.
D486,829 S 2/2004 Wang et al.
D502,166 S 2/2005 Nakamura
D506,471 S 6/2005 Iikura et al.
D550,702 S 9/2007 Lee
D560,617 S 1/2008 Poulet
D567,239 S * 4/2008 Perrier D14/480.5

D577,707 S * 9/2008 Lee D14/158
D579,915 S 11/2008 Yeo
D580,907 S * 11/2008 Ollila D14/167
D586,793 S * 2/2009 Lee D14/240
D612,866 S 3/2010 Sukeda
D633,496 S 3/2011 Busri et al.
D642,584 S * 8/2011 Wong D14/480.4

(Continued)

OTHER PUBLICATIONS

Kinivo BTX350 Wireless Bluetooth Speaker, announced Jun. 2013, [online], Available from Internet, <URL: <http://www.gadgetlite.com>>.

Primary Examiner — Derrick E Holland

Assistant Examiner — Janice Patyk

(74) *Attorney, Agent, or Firm* — Plumsea Law Group, LLC

(57) **CLAIM**

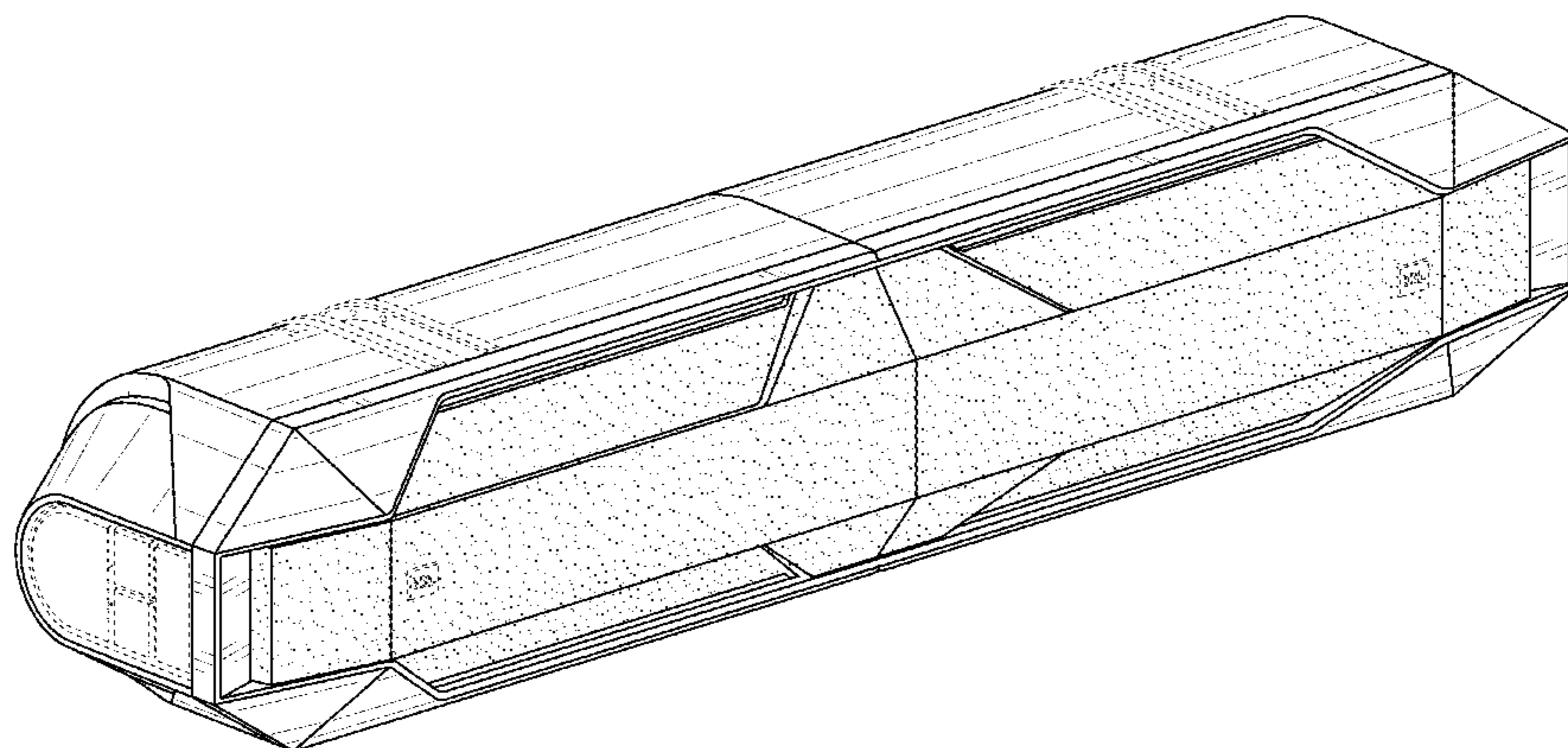
The ornamental design for a loudspeaker, as shown and described.

DESCRIPTION

FIG. 1 is a perspective view of a loudspeaker showing our new design;
FIG. 2 is a front elevational view thereof;
FIG. 3 is a rear elevational view thereof;
FIG. 4 is a side elevational view thereof;
FIG. 5 is an opposite side elevational view thereof;
FIG. 6 is a top plan view thereof;
FIG. 7 is a bottom plan view thereof; and,
FIG. 8 is a perspective view thereof, shown in environmental use.

The broken lines in the figures illustrate the portions of the design that form no part of the claimed design. The broken line structure in FIG. 8 illustrates environmental subject matter that forms no part of the claimed design. None of the broken lines forms any part of the claimed design.

1 Claim, 7 Drawing Sheets



(56)

References Cited

U.S. PATENT DOCUMENTS

D648,340	S	11/2011	Okura	
D648,730	S	11/2011	Huang	
D675,187	S	1/2013	Nousiainen	
D680,520	S *	4/2013	Mizzo	D14/230
D709,502	S *	7/2014	Shen	D14/423
D756,961	S	5/2016	White et al.	
D756,962	S	5/2016	White et al.	
D756,963	S	5/2016	White et al.	
D756,964	S	5/2016	White et al.	
D757,686	S	5/2016	White et al.	
D757,687	S	5/2016	White et al.	
9,469,254	B1	10/2016	White et al.	

* cited by examiner

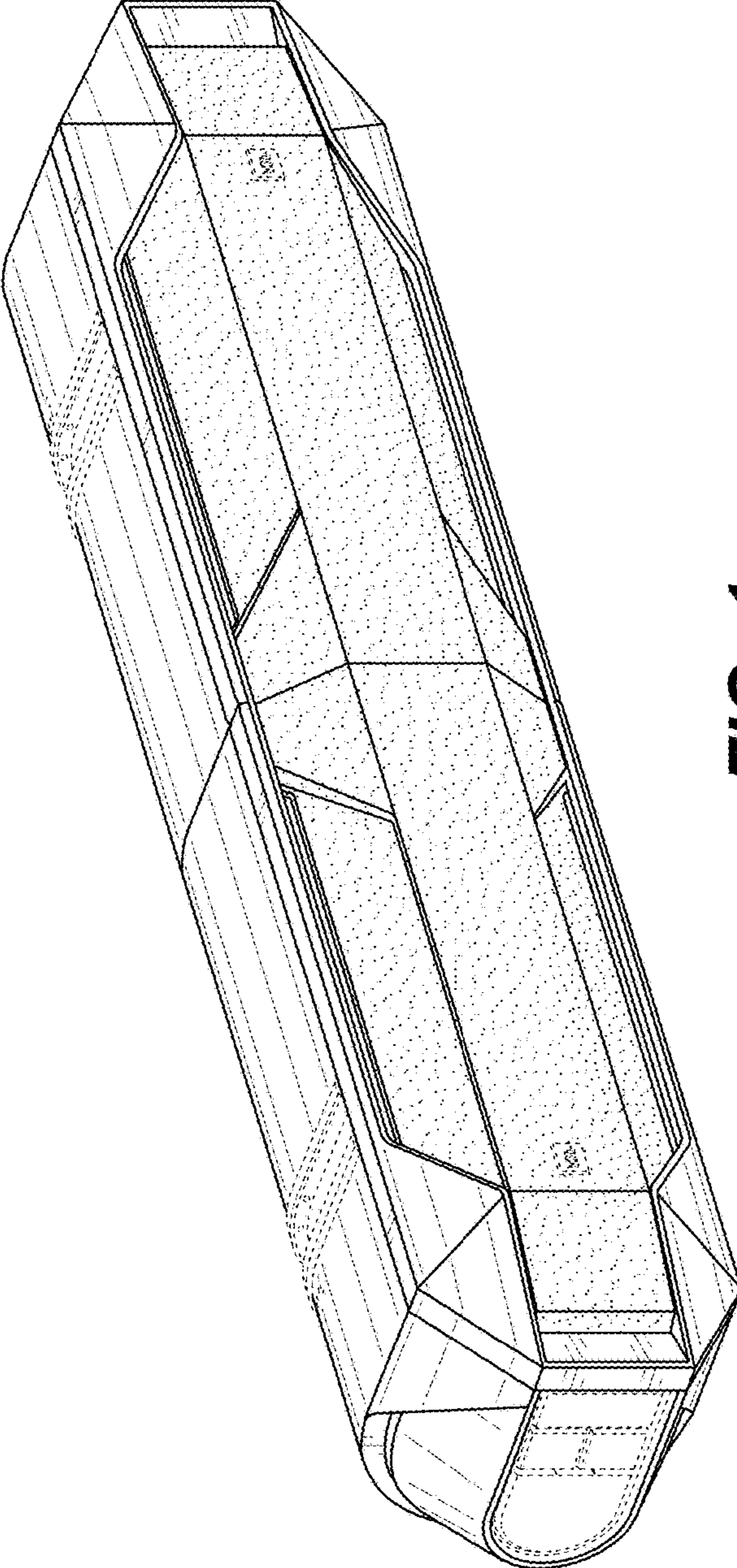


FIG. 1

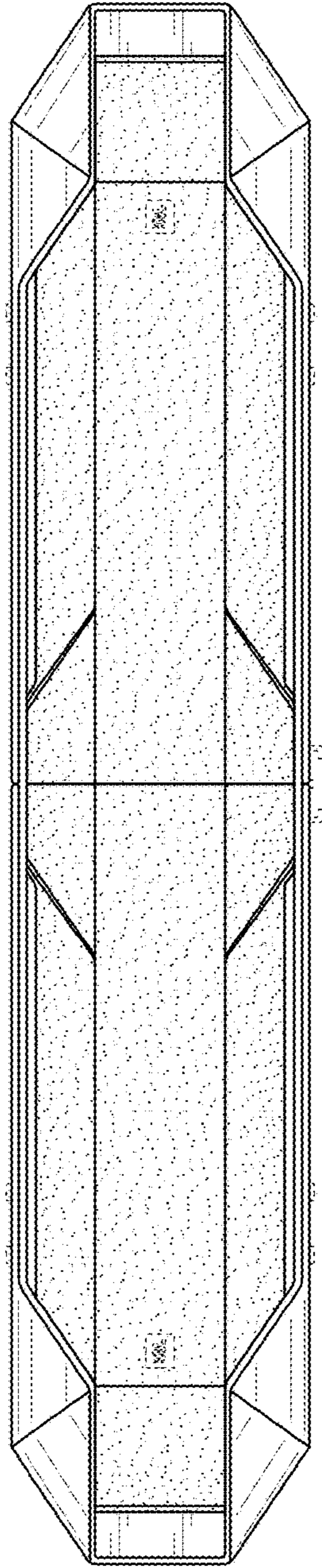


FIG. 2

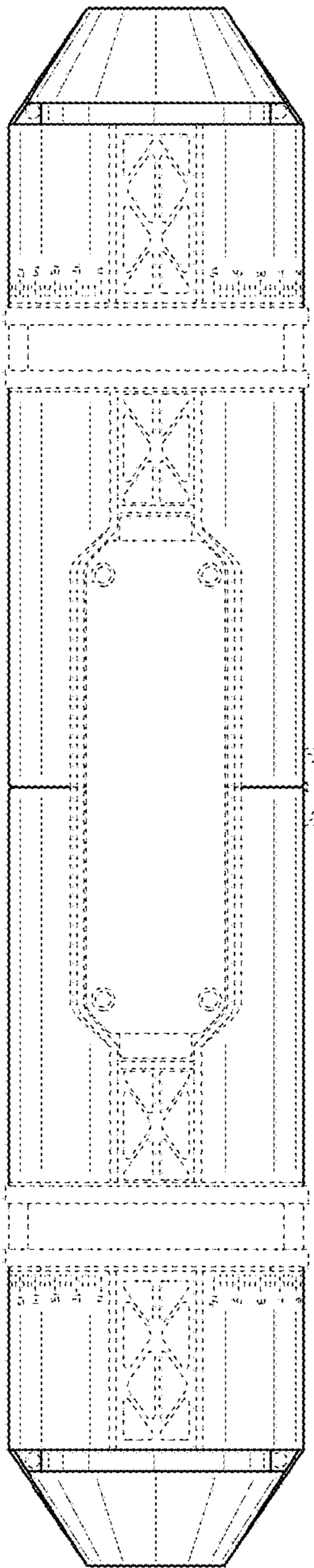


FIG. 3

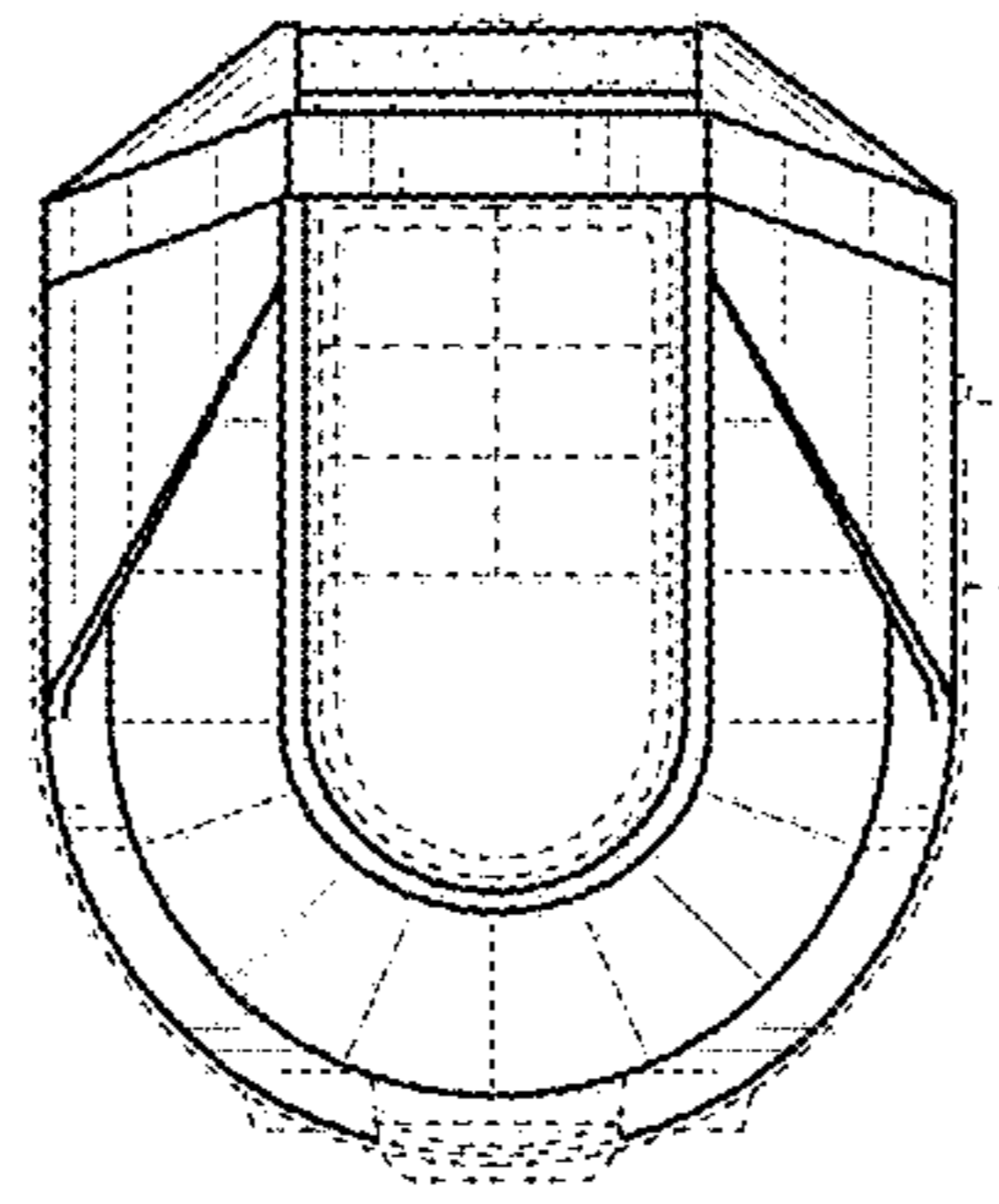


FIG. 5

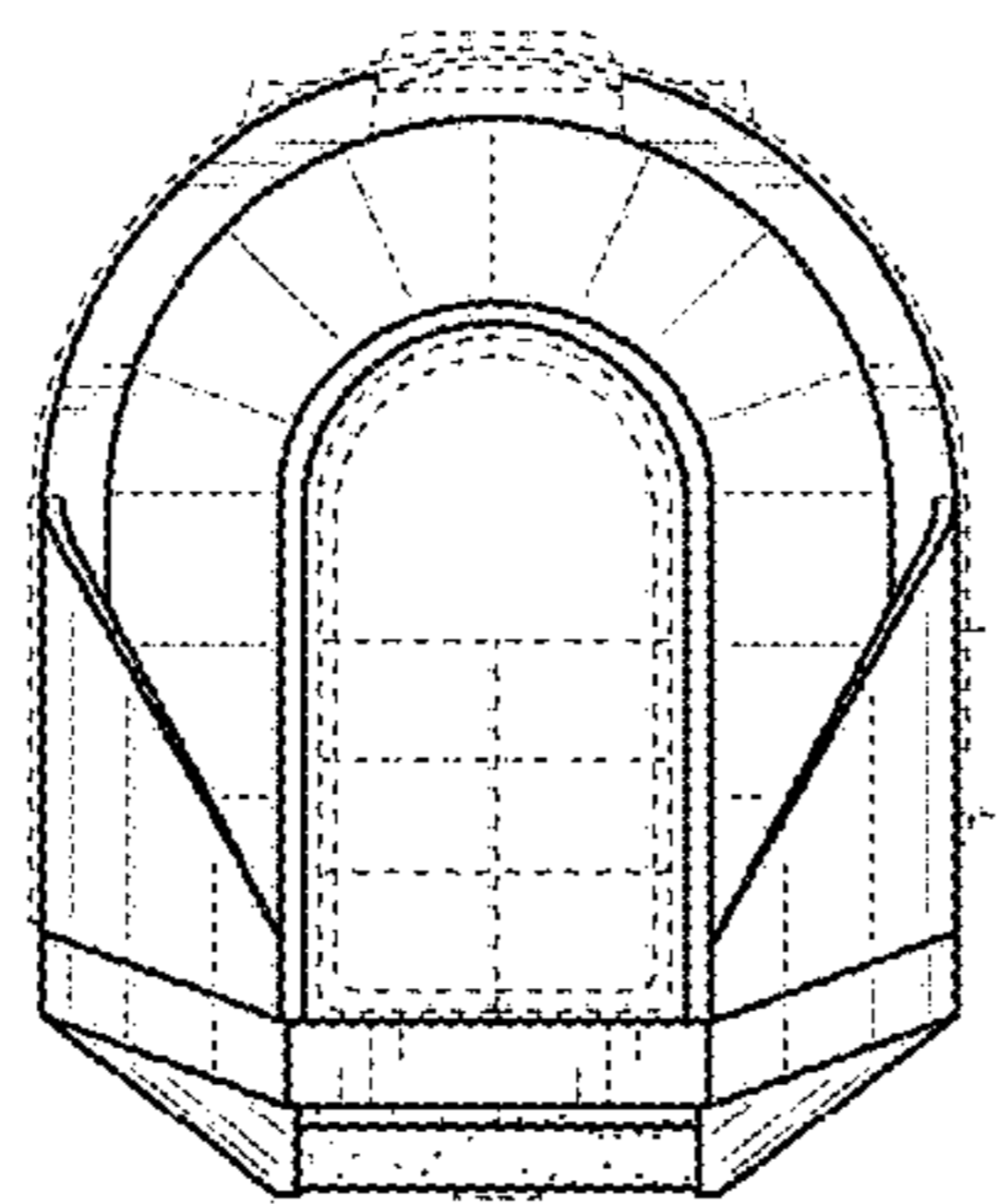


FIG. 4

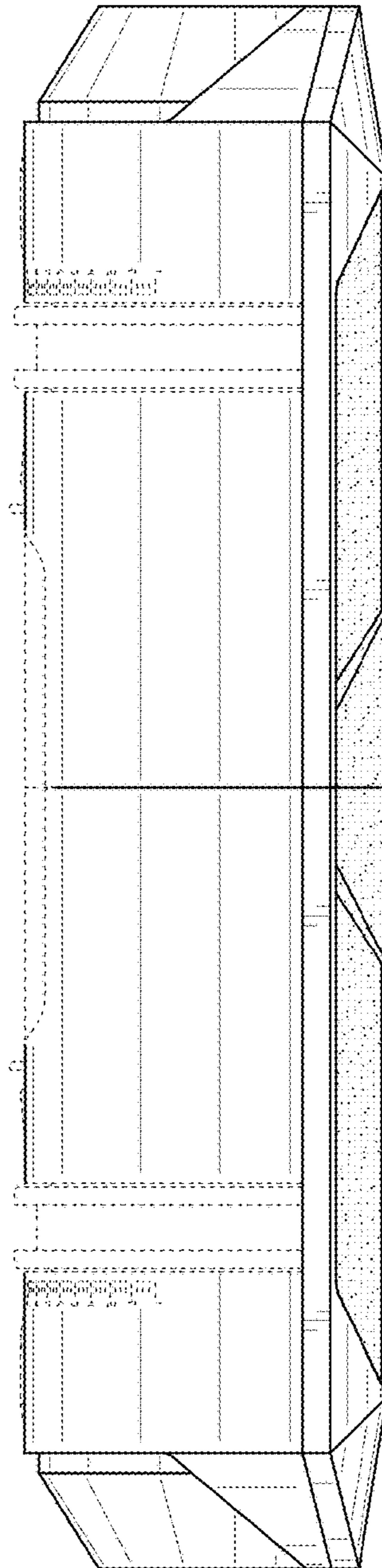


FIG. 6

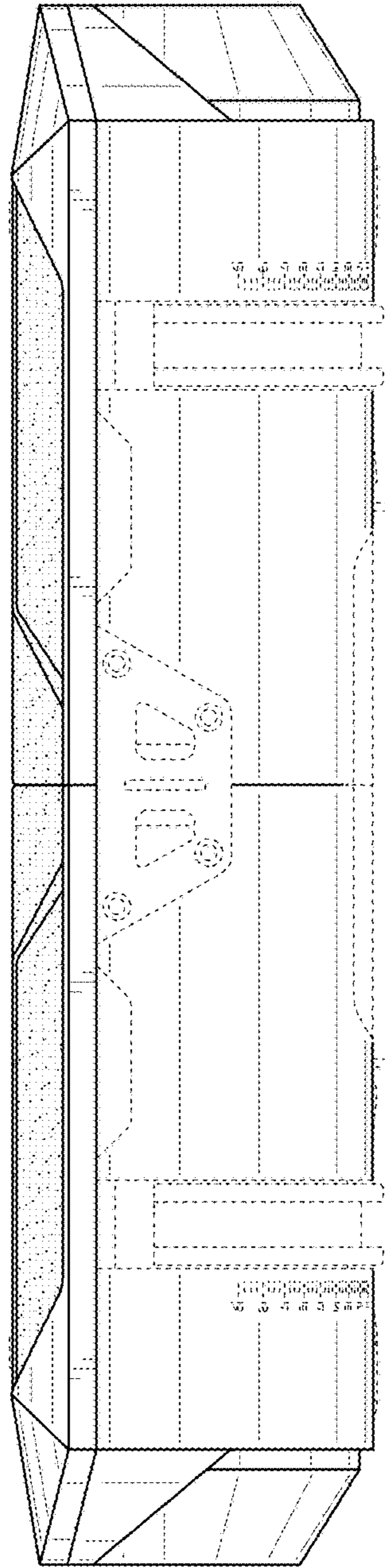


FIG. 7

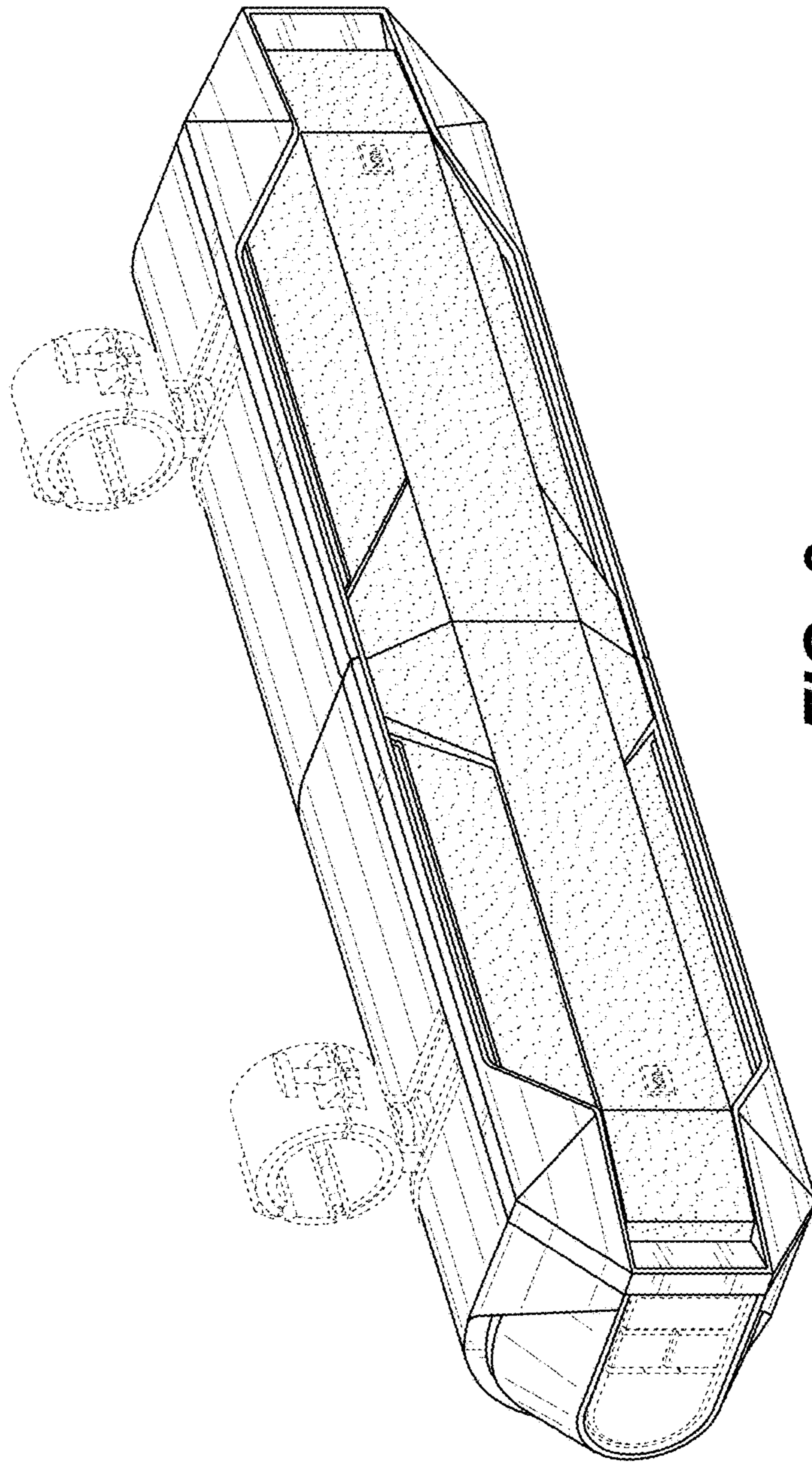


FIG. 8