



US00D856300S

(12) **United States Design Patent** (10) **Patent No.:** **US D856,300 S**
Peace, Jr. et al. (45) **Date of Patent:** **** Aug. 13, 2019**

- (54) **LOUDSPEAKER FRONT FACE**
- (71) Applicant: **Harman International Industries, Incorporated**, Northridge, CA (US)
- (72) Inventors: **Paul Wayne Peace, Jr.**, Port Hueneme, CA (US); **Tim Nugent**, Santa Monica, CA (US); **Val Kalyuzhny**, Reseda, CA (US); **Marcos Nieto**, Northridge, CA (US)
- (73) Assignee: **Harman International Industries, Incorporated**, Northridge, CA (US)
- (**) Term: **15 Years**
- (21) Appl. No.: **29/598,402**
- (22) Filed: **Mar. 24, 2017**
- (51) **LOC (12) Cl.** **14-01**
- (52) **U.S. Cl.**
USPC **D14/204**
- (58) **Field of Classification Search**
USPC D14/167, 168, 170–172, 188, 204, 209.1, D14/210–216, 219, 221, 222, 224; 181/144, 148, 153, 157, 198; 369/6–12; 381/301–303, 306, 332, 334, 336, 345, 381/361–363, 386–388
CPC G06F 1/1688; H04R 1/02; H04R 1/025; H04R 1/026; H04R 1/323; H04R 1/403; H04R 1/2803; H04R 1/2834; H04R 5/02; H04R 9/06; H04R 2201/021; H04R 2400/00; H04R 2400/07; H04R 2499/11
See application file for complete search history.

- D424,058 S * 5/2000 Shudo D14/168
- D436,946 S * 1/2001 Lin D14/214
- D467,569 S * 12/2002 Kobayashi D14/168
- D468,725 S * 1/2003 Nugent D14/214
- D509,212 S * 9/2005 Hioki D14/214
- D512,045 S * 11/2005 Motoishi D14/168
- D519,105 S * 4/2006 Masui D14/214
- D556,733 S * 12/2007 Law D14/168
- D598,897 S * 8/2009 Arneson D14/214
- D609,217 S * 2/2010 Manini D14/214
- D723,518 S * 3/2015 Moon D14/215

* cited by examiner

Primary Examiner — Derrick E Holland

Assistant Examiner — Janice Patyk

(74) *Attorney, Agent, or Firm* — Plumsea Law Group, LLC

(57) **CLAIM**

The ornamental design for a loudspeaker front face, as shown and described.

DESCRIPTION

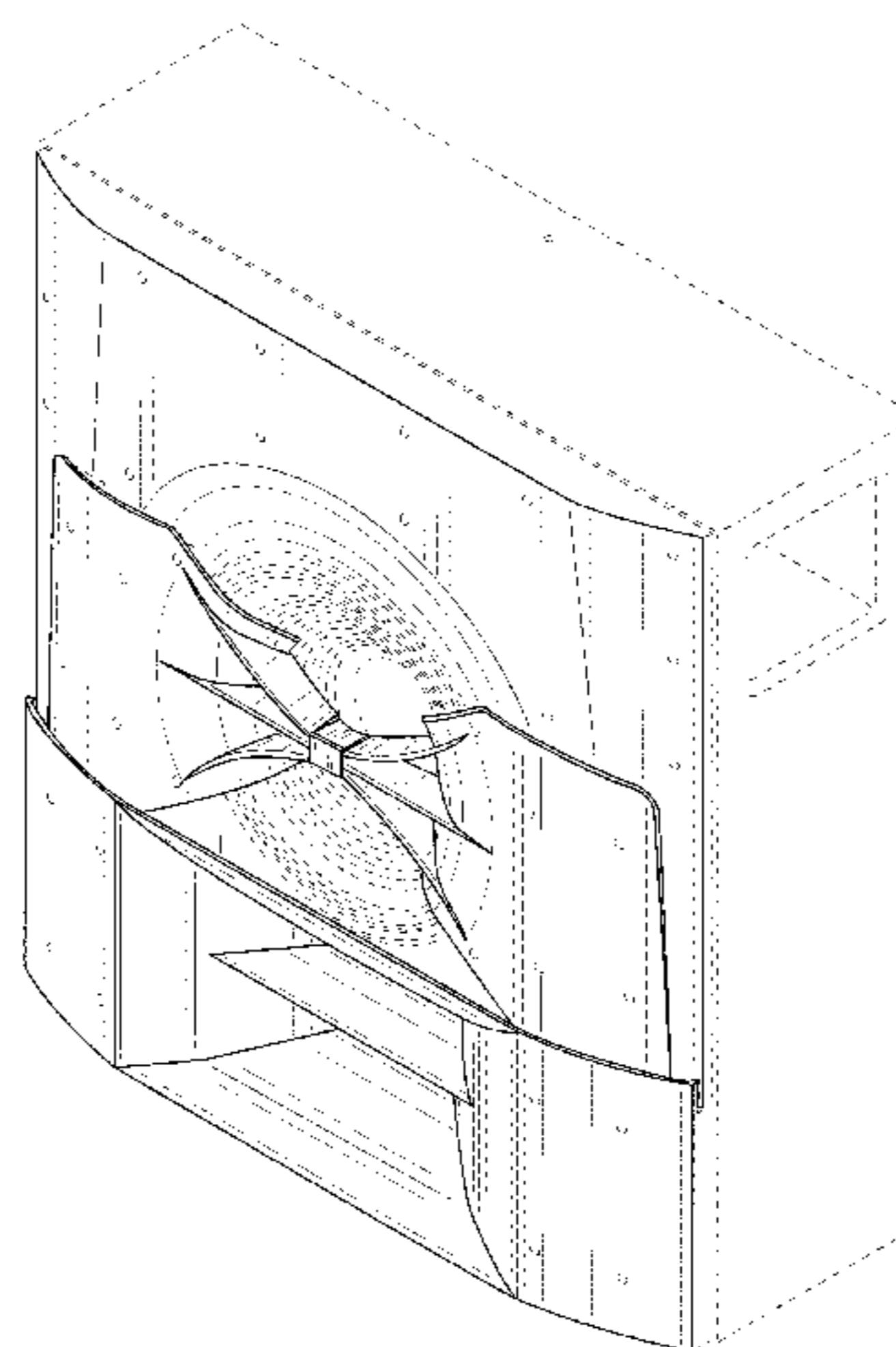
FIG. 1 is a top isometric view of a loudspeaker front face showing the new design;
 FIG. 2 is a front elevational view thereof;
 FIG. 3 is a rear elevational view thereof;
 FIG. 4 is a side elevational view thereof;
 FIG. 5 is an opposite side elevational view thereof;
 FIG. 6 is a top plan view thereof;
 FIG. 7 is a bottom plan view thereof;
 FIG. 8 is a top isometric view thereof, shown with an environmental base; and,
 FIG. 9 is a top isometric view thereof, shown with an alternate environmental base.
 The broken lines in the figures illustrate the portions of the design that form no part of the claimed design. The broken line bases in FIGS. 8 and 9 illustrate environmental subject matter that forms no part of the claimed design.

1 Claim, 9 Drawing Sheets

(56) **References Cited**

U.S. PATENT DOCUMENTS

- 5,000,286 A * 3/1991 Crawford H04R 1/02
181/145
- D354,285 S * 1/1995 Lee D14/168



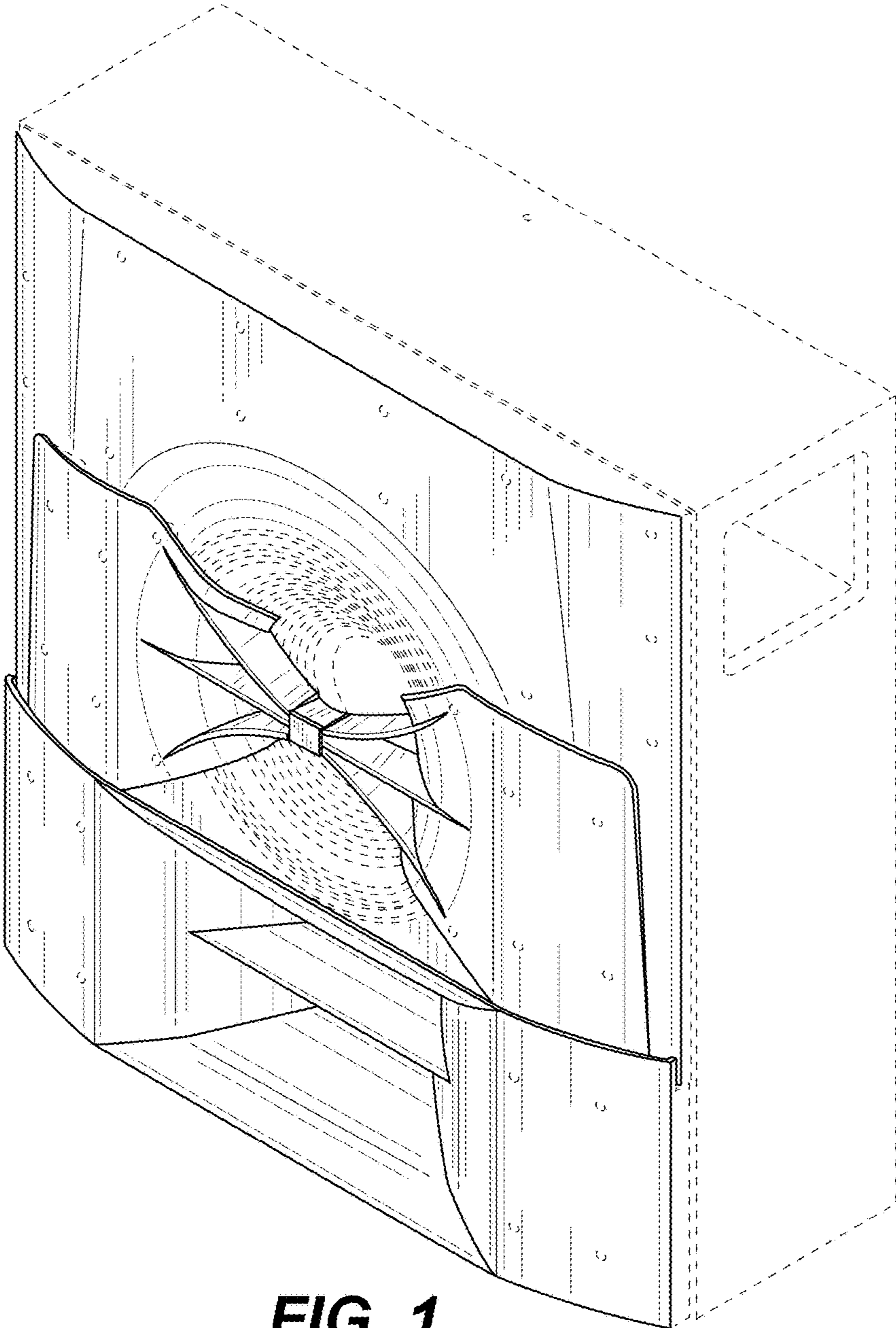


FIG. 1

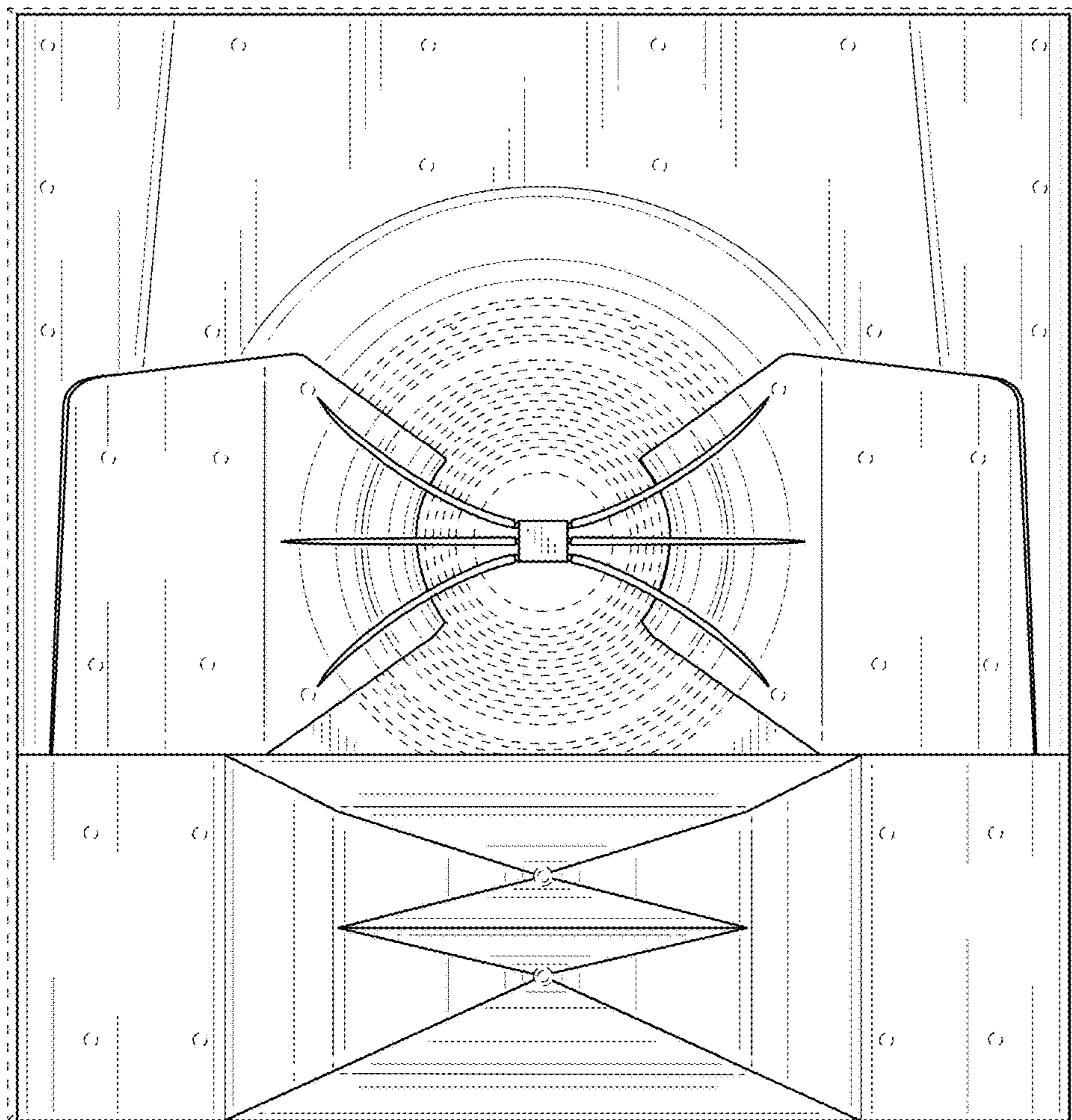


FIG. 2



FIG. 3

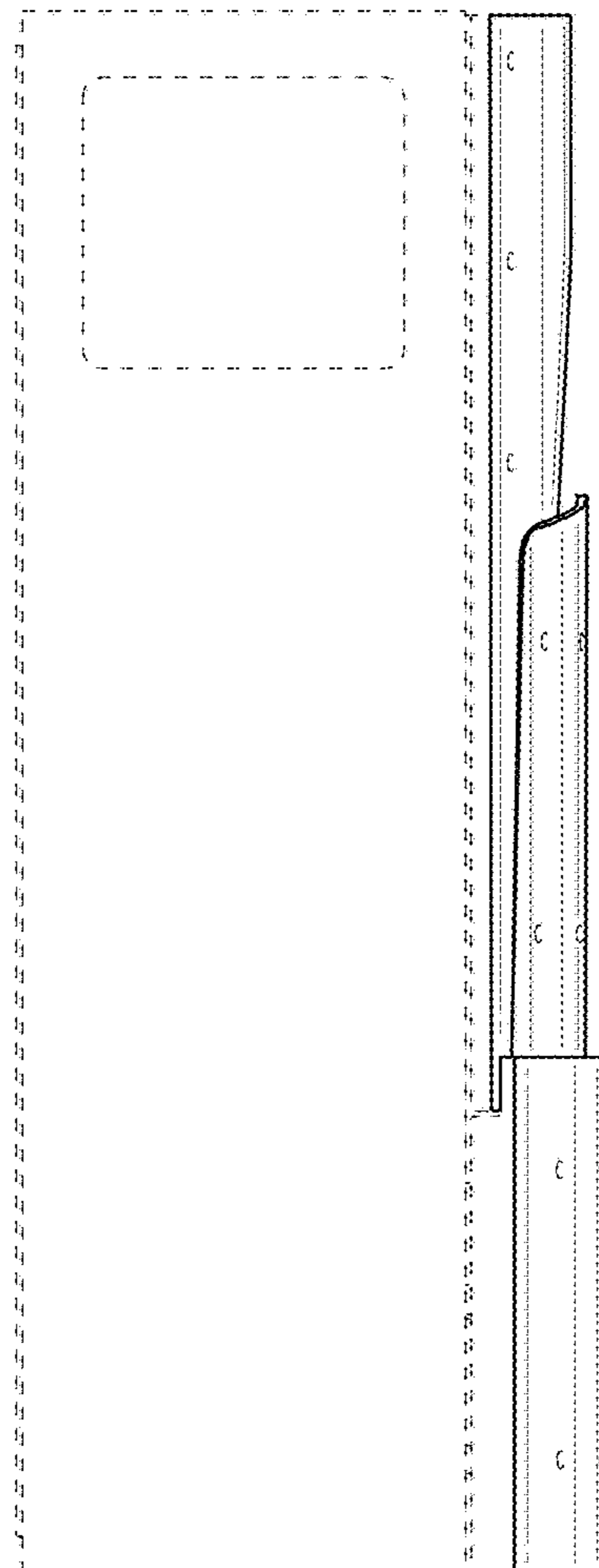


FIG. 4

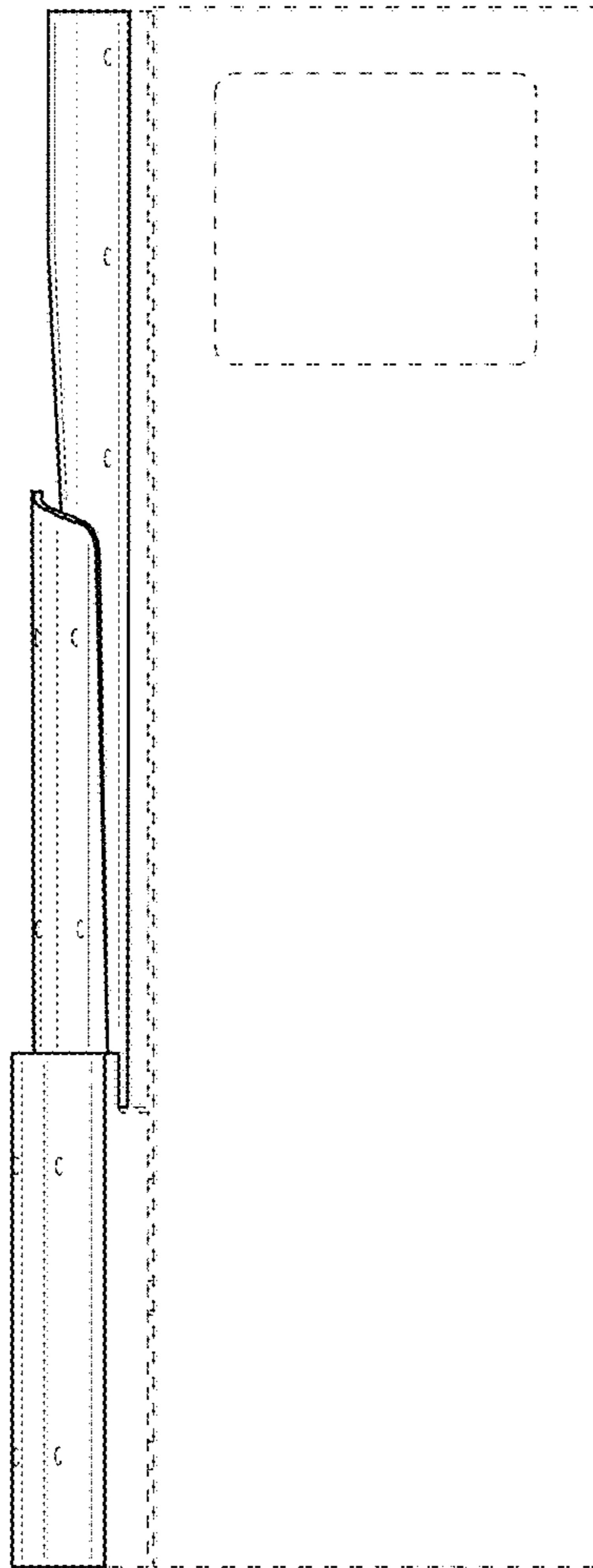


FIG. 5

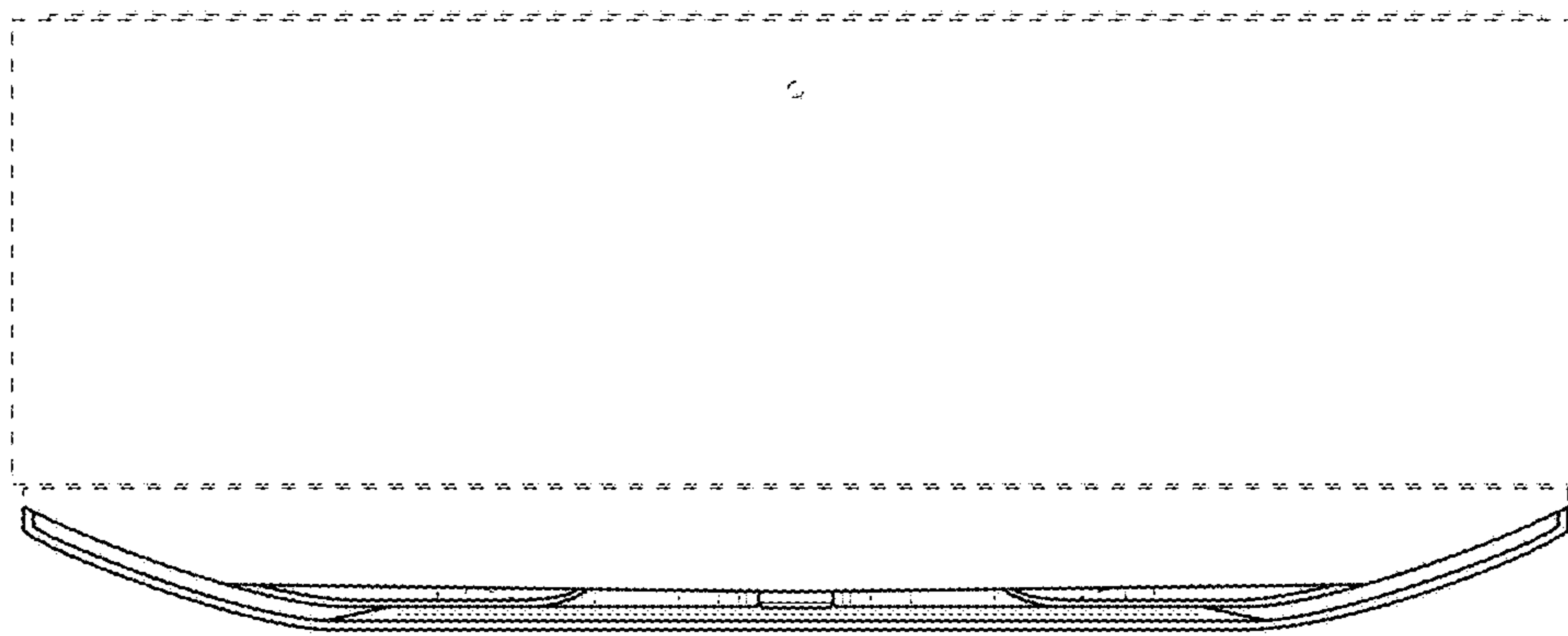


FIG. 6

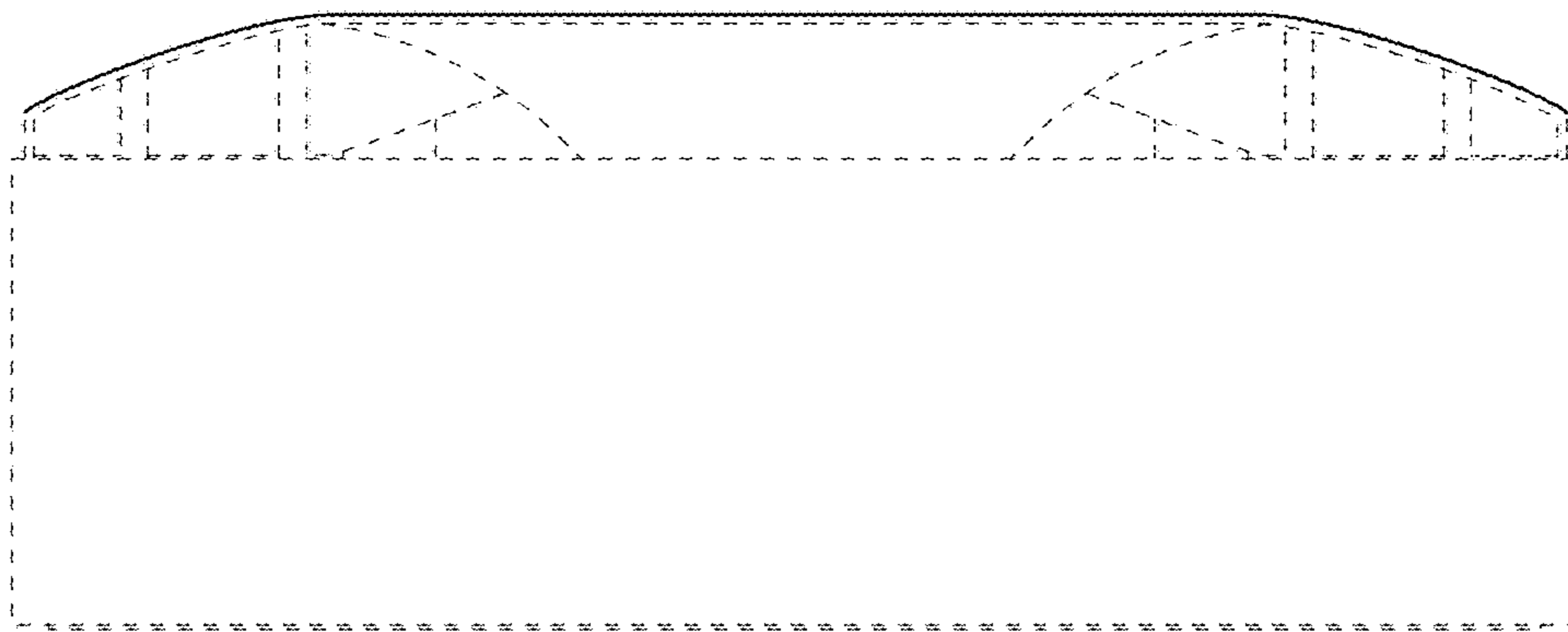


FIG. 7

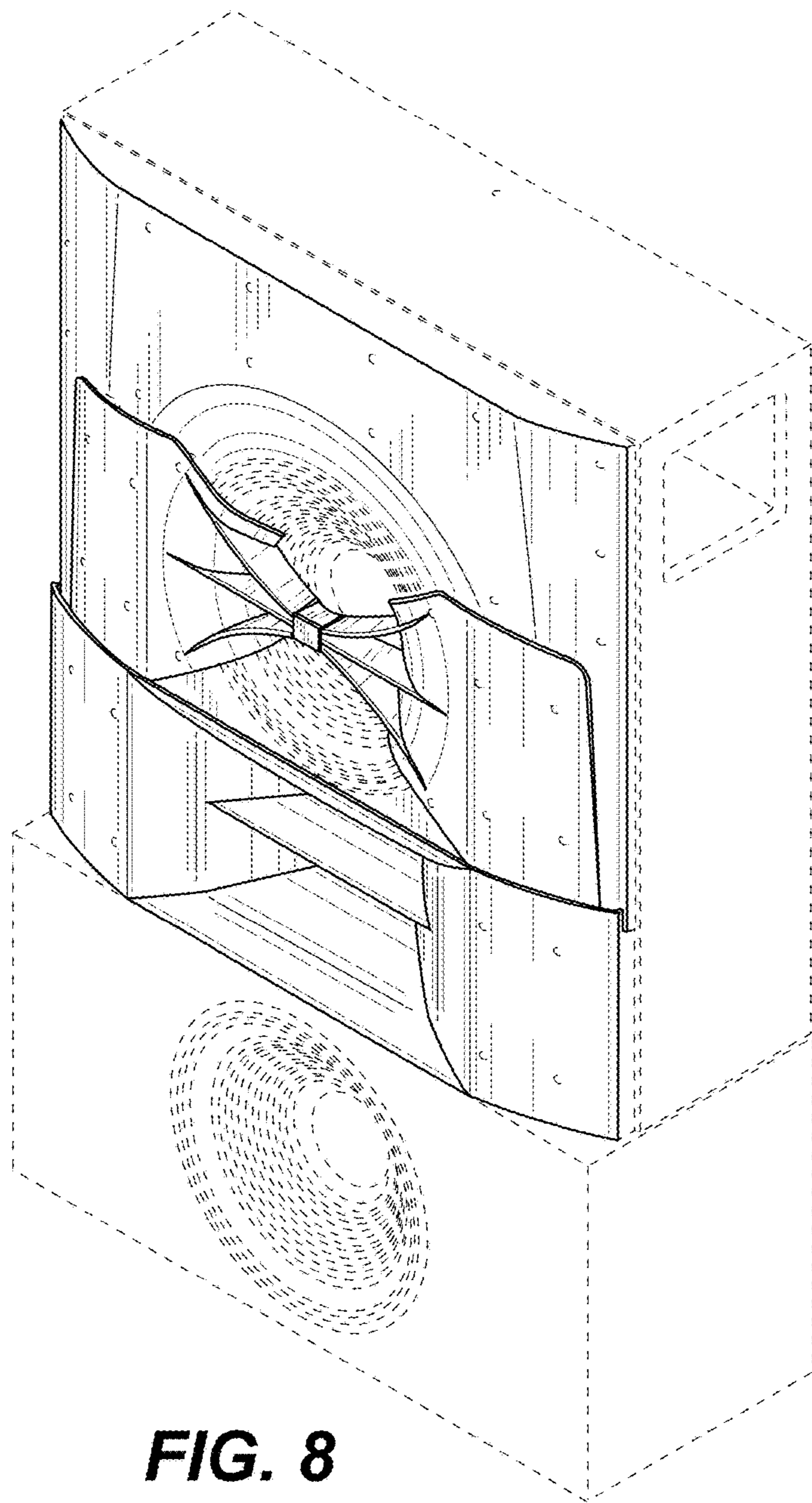


FIG. 8

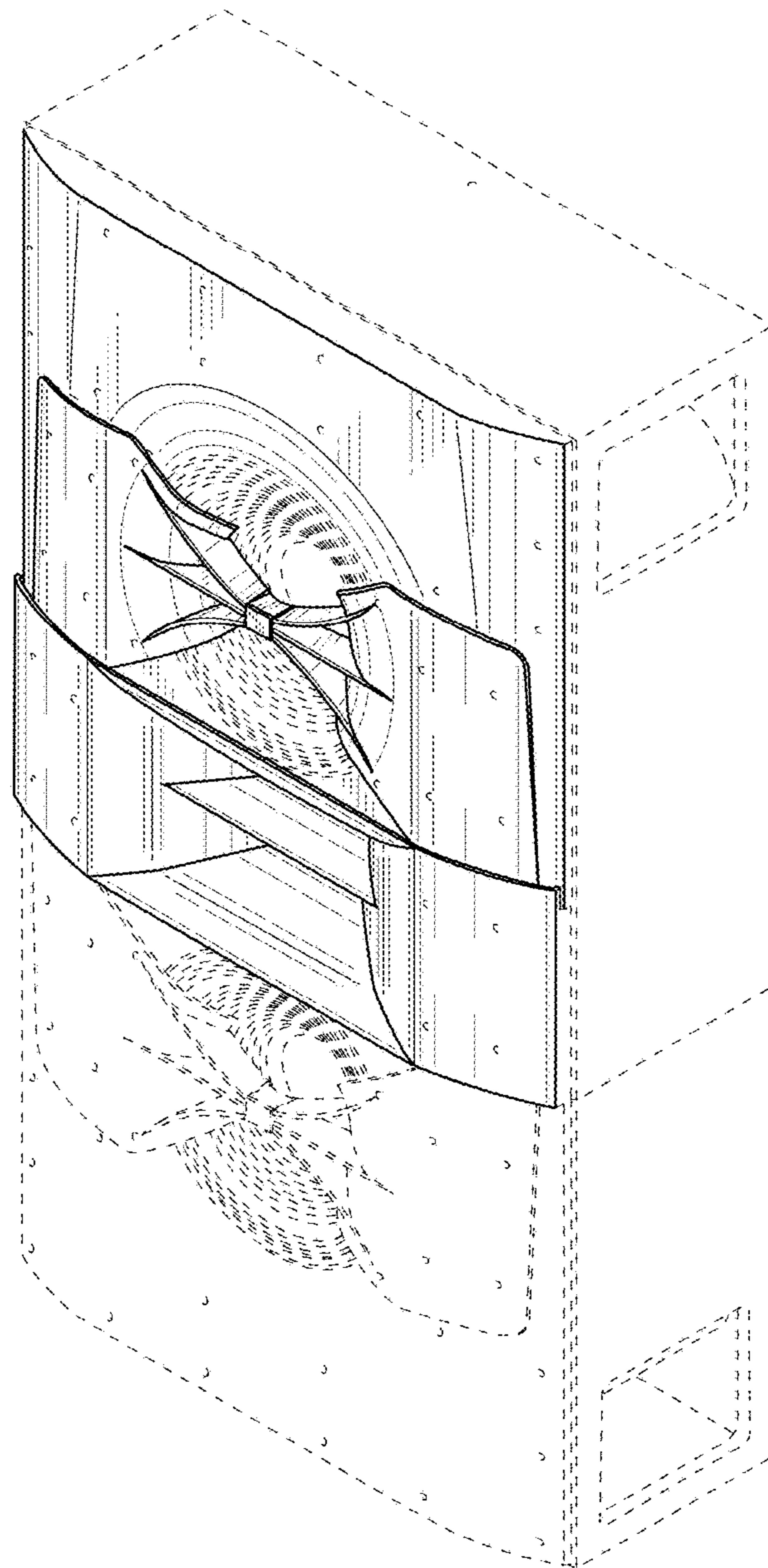


FIG. 9