



US00D856296S

(12) **United States Design Patent**
McPhail

(10) **Patent No.:** **US D856,296 S**

(45) **Date of Patent:** **** Aug. 13, 2019**

(54) **MOBILE PHONE**

(71) Applicant: **HMD Global Oy**, Helsinki (FI)

(72) Inventor: **Alasdair McPhail**, London (GB)

(73) Assignee: **HMD Global Oy**, Espoo (FI)

(**) Term: **15 Years**

(21) Appl. No.: **29/646,633**

(22) Filed: **May 6, 2018**

(30) **Foreign Application Priority Data**

Dec. 4, 2017 (EM) 004534600

(51) **LOC (12) Cl.** **14-03**

(52) **U.S. Cl.**
USPC **D14/138 G**

(58) **Field of Classification Search**
USPC D14/138 G, 248, 341, 371, 374, 138 R,
D14/138 AA, 138 AB, 138 AC, 138 AD,
D14/138 C, 247
CPC H04M 1/0202; H04M 1/0235; H04M
1/0237; H04M 1/0239; H04M 1/0266;
H04M 1/0268; H04M 1/027; H04M
1/0295

See application file for complete search history.

(56) **References Cited**

U.S. PATENT DOCUMENTS

D622,692 S *	8/2010	McWilliam	D14/138 G
D654,460 S *	2/2012	Kim	D14/138 G
D675,586 S *	2/2013	Choi	D14/138 G
D676,459 S *	2/2013	Hofer	D14/203.3
D687,404 S *	8/2013	Yoshimura	D14/138 G
D703,632 S *	4/2014	Lim	D14/138 G
D708,161 S *	7/2014	Ishida	D14/138 G
D716,251 S *	10/2014	Choi	D14/138 G
D718,267 S *	11/2014	Hu	D14/138 G
D744,450 S *	12/2015	Kim	D14/138 G

D764,431 S *	8/2016	Hibi	D14/138 G
D767,523 S *	9/2016	Zhang	D14/138 G
D780,145 S *	2/2017	Rouger	D14/138 G

(Continued)

OTHER PUBLICATIONS

Sony Xperia T2 Ultra dual, announced Jan. 2014, [online], [retrieved on May 30, 2014]. Retrieved from Internet ,<URL: <http://www.gsmarena.com>>.*

(Continued)

Primary Examiner — Bridget L Eland

(74) *Attorney, Agent, or Firm* — ScienBiziP, P.C.

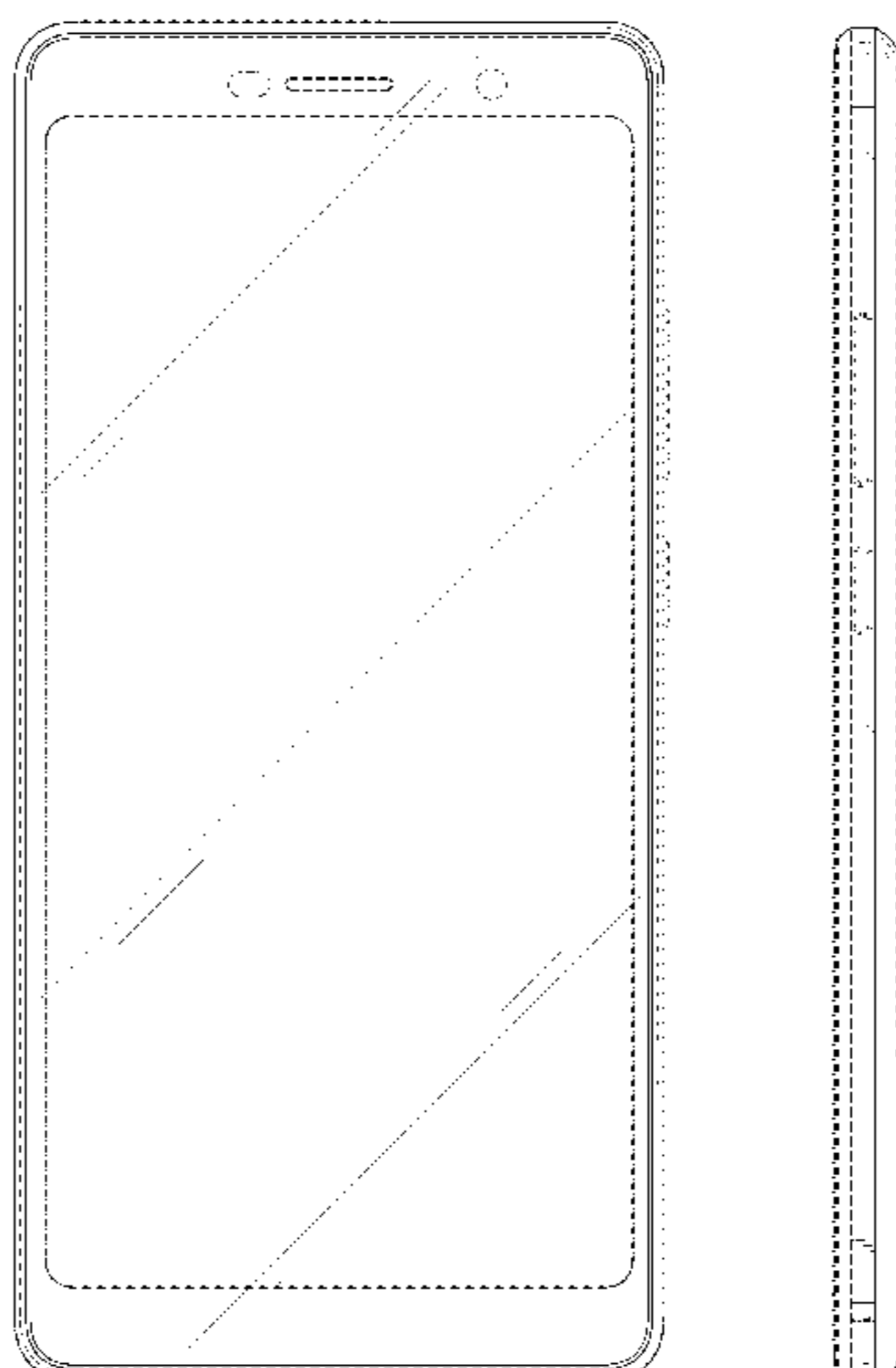
(57) **CLAIM**

I claim the ornamental design for a mobile phone, as shown and described.

DESCRIPTION

FIG. 1 is a front perspective view of a mobile phone, showing our new design;
 FIG. 2 is a rear perspective view of the mobile phone shown in FIG. 1;
 FIG. 3 is a front elevation view of the mobile phone shown in FIG. 1;
 FIG. 4 is a rear elevation view of the mobile phone shown in FIG. 1;
 FIG. 5 is a left side elevation view of the mobile phone shown in FIG. 1;
 FIG. 6 is a right side elevation view of the mobile phone shown in FIG. 1;
 FIG. 7 is a top plan view of the mobile phone shown in FIG. 1; and,
 FIG. 8 is a bottom plan view of the mobile phone shown in FIG. 1.
 The broken lines in the drawings depict portions of the mobile phone that form no part of the claimed design. The broken lines and unshaded regions bounded by broken lines form no part of the claimed design.

1 Claim, 8 Drawing Sheets



(56)

References Cited

U.S. PATENT DOCUMENTS

D787,466 S * 5/2017 Nishikawa D14/138 G
D789,314 S * 6/2017 Lee D14/138 G
D790,498 S * 6/2017 Wu D14/138 G
D792,863 S * 7/2017 Hibi D14/138 G
D793,981 S * 8/2017 Seo D14/138 G
D798,834 S * 10/2017 Fan D14/138 G
D800,084 S * 10/2017 Daniel D14/138 G
D812,586 S * 3/2018 Zhu D14/138 G
D827,605 S * 9/2018 Yao D14/138 G
D831,017 S * 10/2018 Choe D14/248
D831,629 S * 10/2018 Choe D14/248
D832,805 S * 11/2018 Xu D14/138 G
D835,598 S * 12/2018 Cho D14/138 G

OTHER PUBLICATIONS

Sony Xperia Z2a, announced Jun. 2014, [online], [retrieved on Apr. 1, 2015]. Retrieved from Internet ,<URL: <http://www.gsmarena.com>>.*

Pantech Vega R3 IM-A850L, announced Oct. 2012, [online], [retrieved on Nov. 28, 2012]. Retrieved from Internet ,<URL: <http://www.gsmarena.com>>.*

Spice Mi-500 Stellar Horizon, announced Sep. 2012, [online], [retrieved on Nov. 29, 2012]. Retrieved from Internet ,<URL: <http://www.gsmarena.com>>.*

Samsung I9103 Galaxy R, announced Jun. 2011, [online], [retrieved on Aug. 19, 2011]. Retrieved from Internet ,<URL: <http://www.gsmarena.com>>.*

* cited by examiner

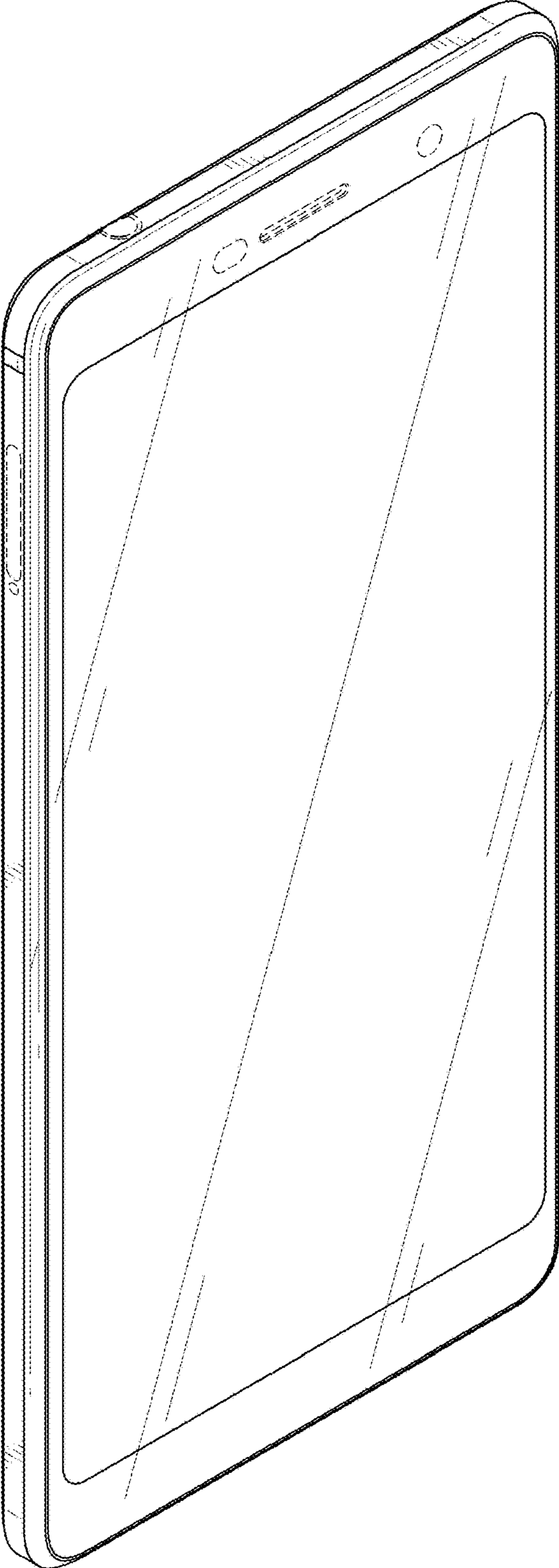


FIG. 1

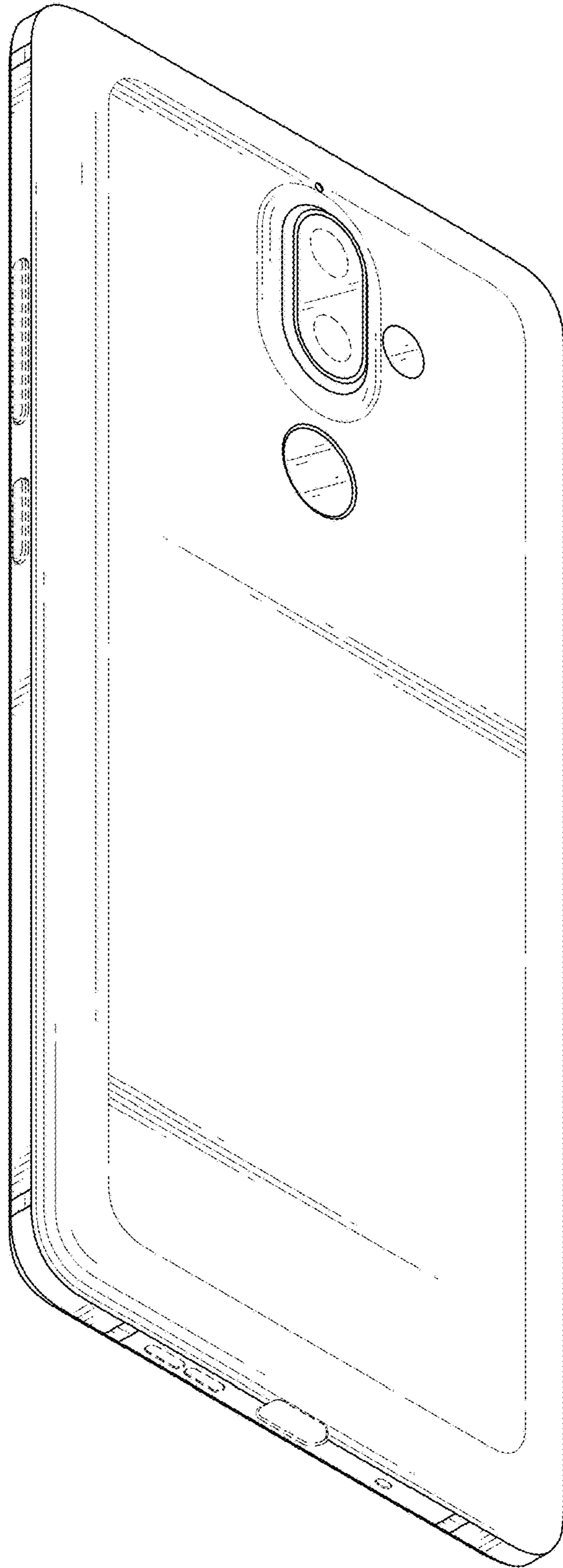


FIG. 2

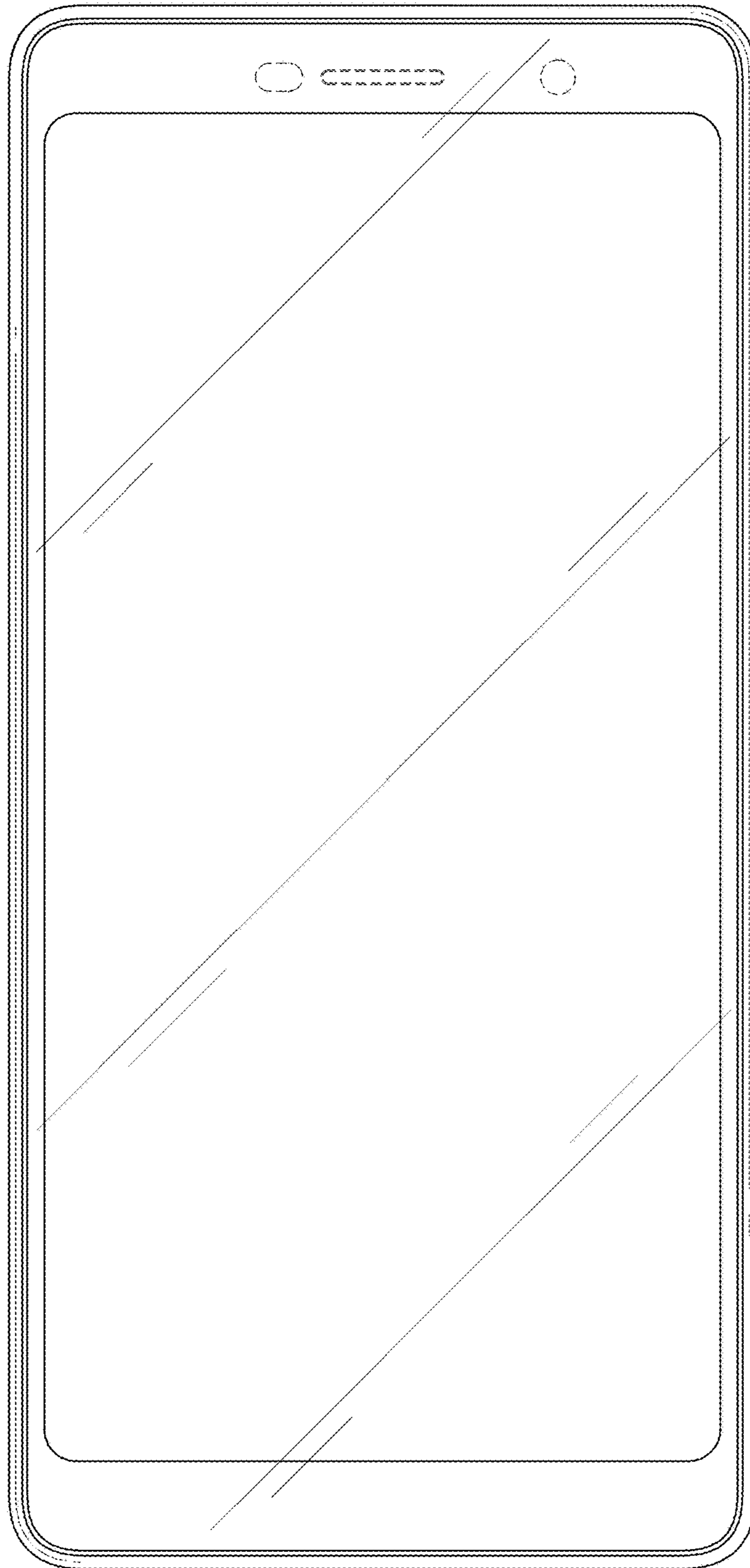


FIG. 3

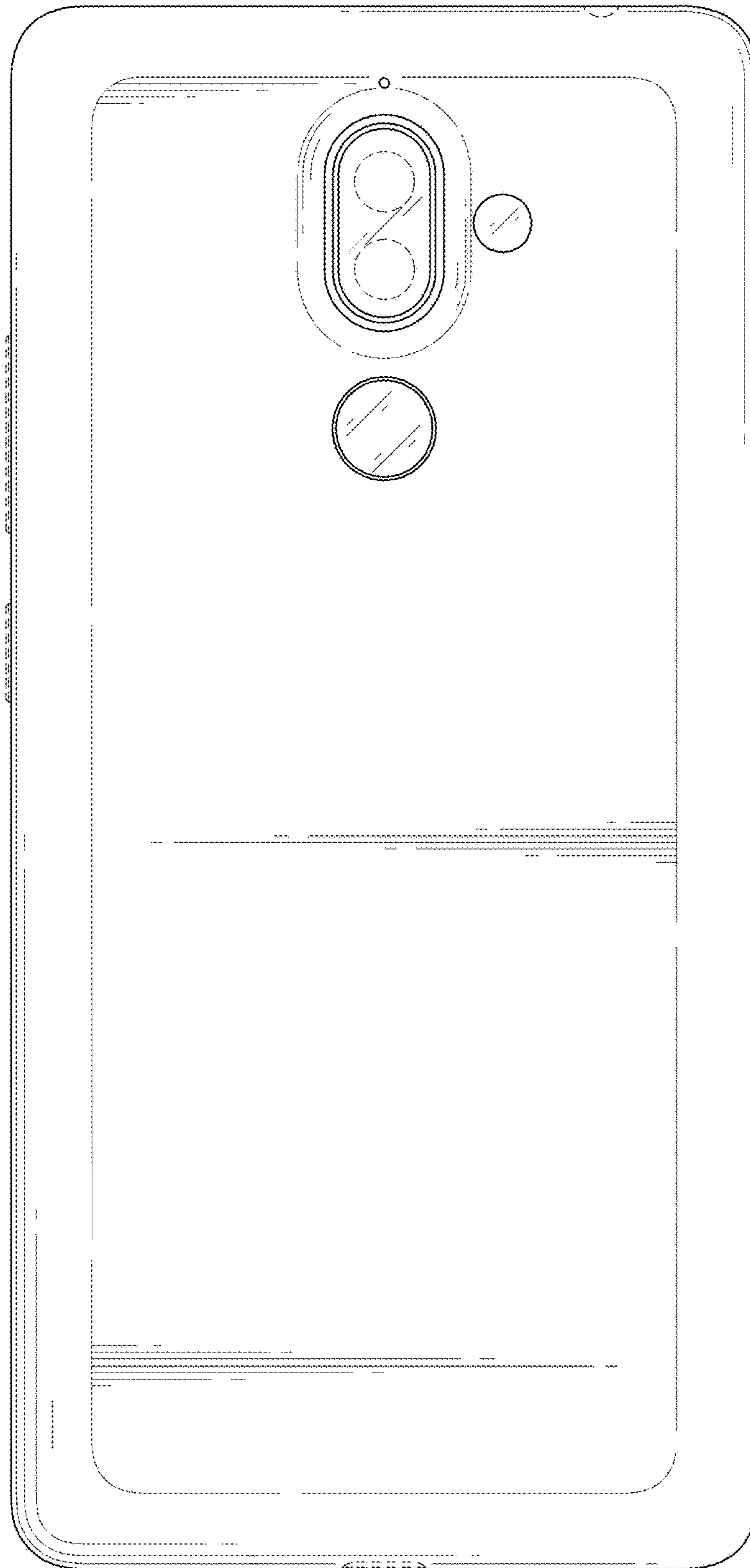


FIG. 4

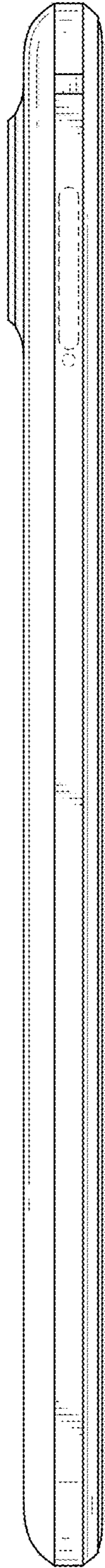


FIG. 5

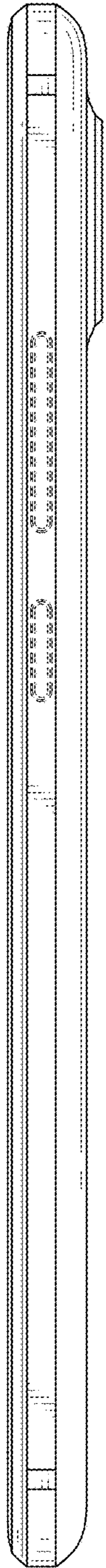


FIG. 6

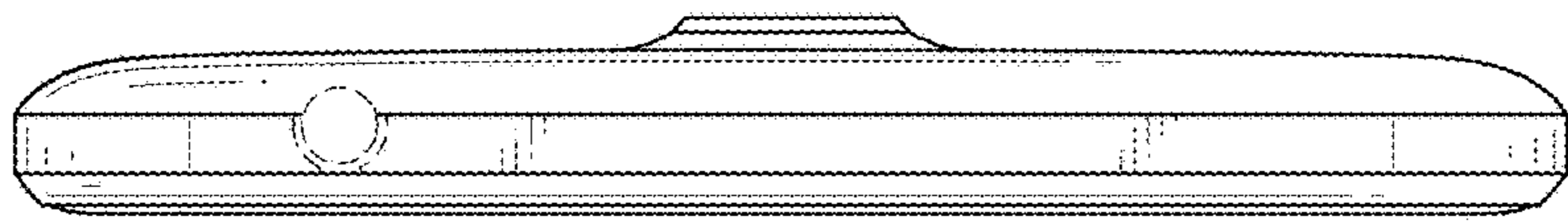


FIG. 7

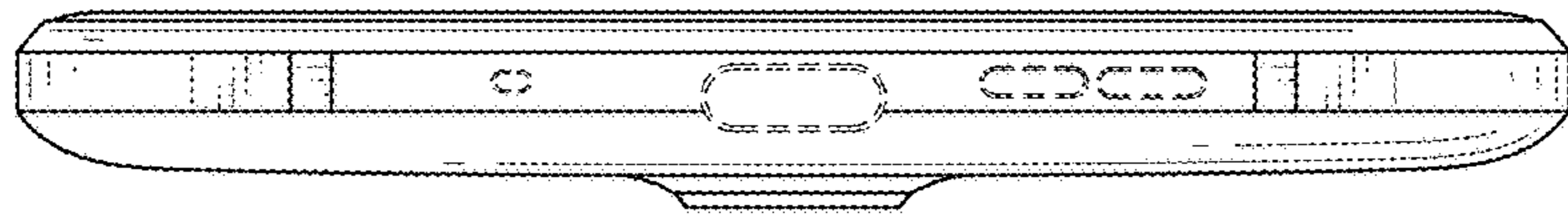


FIG. 8