



US00D856292S

(12) **United States Design Patent** (10) **Patent No.:** **US D856,292 S**  
**Lim et al.** (45) **Date of Patent:** **\*\* Aug. 13, 2019**

(54) **TELEVISION**  
(71) Applicant: **LG ELECTRONICS INC.**, Seoul (KR)  
(72) Inventors: **Jaewon Lim**, Seoul (KR); **Junghan Ryu**, Seoul (KR); **Younghun Jang**, Seoul (KR)  
(73) Assignee: **LG Electronics Inc.**, Seoul (KR)  
(\*\*) Term: **15 Years**  
(21) Appl. No.: **35/504,296**  
(22) Filed: **Jul. 7, 2017**

D703,167 S \* 4/2014 McManigal ..... D14/126  
D703,169 S \* 4/2014 Kim ..... D14/126  
D709,044 S \* 7/2014 Takami ..... D14/126  
D715,756 S \* 10/2014 Lim ..... D14/126  
D755,138 S \* 5/2016 Kim ..... D14/126  
D774,482 S \* 12/2016 Hong ..... D14/126  
D778,855 S \* 2/2017 Lee ..... D14/126  
D782,431 S \* 3/2017 Lee ..... D14/126  
D785,621 S \* 5/2017 Kim ..... D14/374  
D786,813 S \* 5/2017 McManigal ..... D14/126  
D796,464 S \* 9/2017 Kim ..... D14/126  
D796,465 S \* 9/2017 Kim ..... D14/126  
D806,661 S \* 1/2018 Lee ..... D14/126  
D806,667 S \* 1/2018 Lee ..... D14/126

(Continued)

(80) **Hague Agreement Data**

Int. Filing Date: **Jul. 7, 2017**  
Int. Reg. No.: **DM/096940**  
Int. Reg. Date: **Jul. 7, 2017**  
Int. Reg. Pub. Date: **Jan. 12, 2018**

(30) **Foreign Application Priority Data**

Jan. 9, 2017 (KR) ..... 30-2017-0001170

(51) **LOC (12) Cl.** ..... **14-03**

(52) **U.S. Cl.**  
USPC ..... **D14/126**

(58) **Field of Classification Search**  
USPC ..... D14/125, 126, 127-137, 239, 314-316, D14/322, 326, 334-336, 339, 340, 341, D14/371, 373-374, 448, 450, 138 G, 248; D6/300, 310, 314, 320, 332, 553; D21/329, 332, 515, 324  
CPC ..... G06F 1/16; G06F 1/1601; G06F 1/1637; H04N 5/64; H05K 5/0204; H05K 5/0017; H05K 5/0217  
See application file for complete search history.

(56) **References Cited**

**U.S. PATENT DOCUMENTS**

D677,661 S \* 3/2013 Hirano ..... D14/374  
D684,943 S \* 6/2013 Hsu ..... D14/126

**FOREIGN PATENT DOCUMENTS**

JP D1622840 \* 1/2019  
WO D102968-001 \* 12/2018

*Primary Examiner* — Barbara Fox

*Assistant Examiner* — Dana K Weiland

(74) *Attorney, Agent, or Firm* — Birch, Stewart, Kolasch & Birch, LLP

(57) **CLAIM**

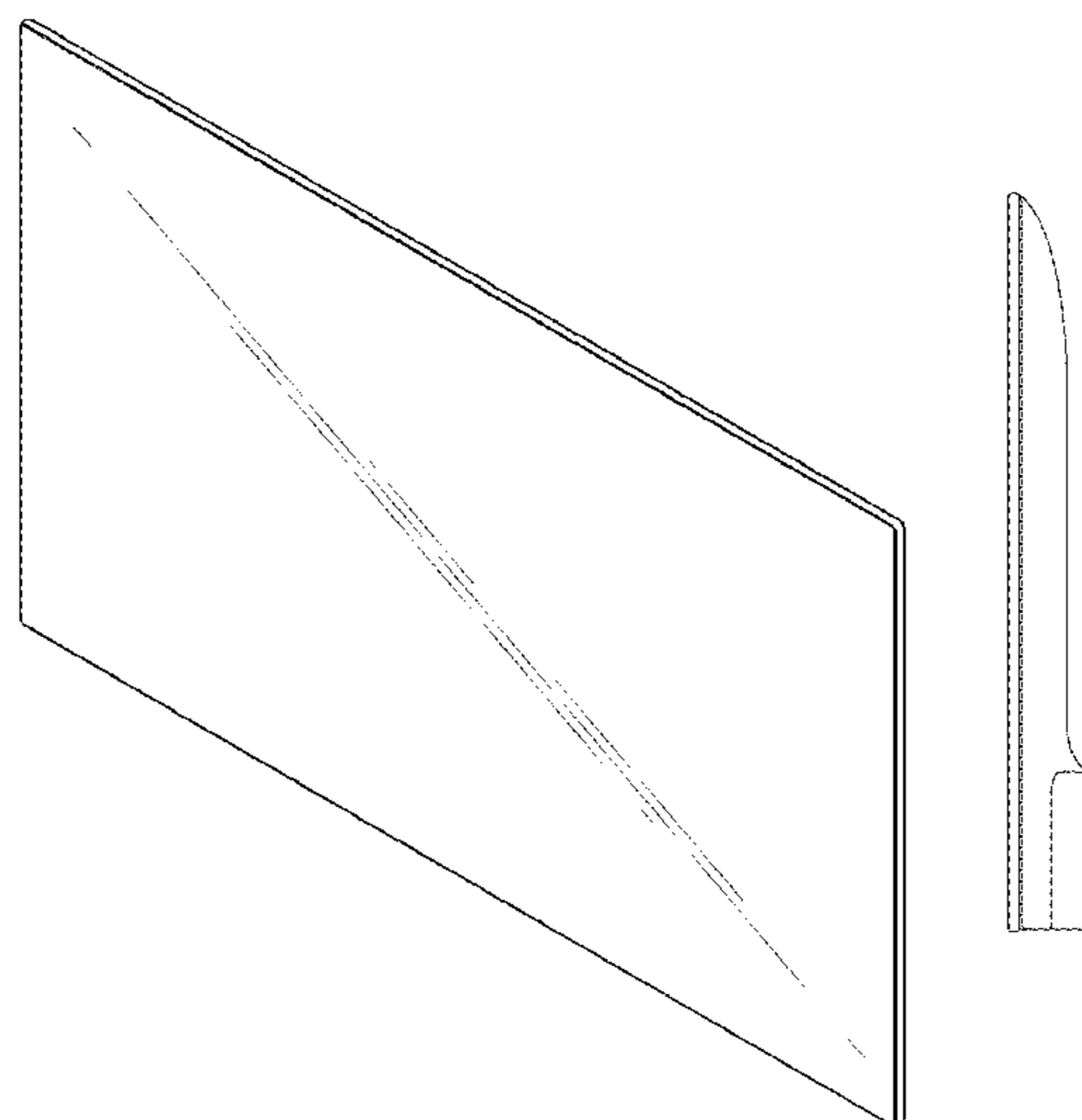
The ornamental design for a television, as shown and described.

**DESCRIPTION**

- 1. Television
- 1.1 : Perspective
- 1.2 : Front
- 1.3 : Back
- 1.4 : Left
- 1.5 : Right
- 1.6 : Top
- 1.7 : Bottom

The broken lines shown in the drawings depict portions of the television that form no part of the claimed design.

**1 Claim, 4 Drawing Sheets**



(56)

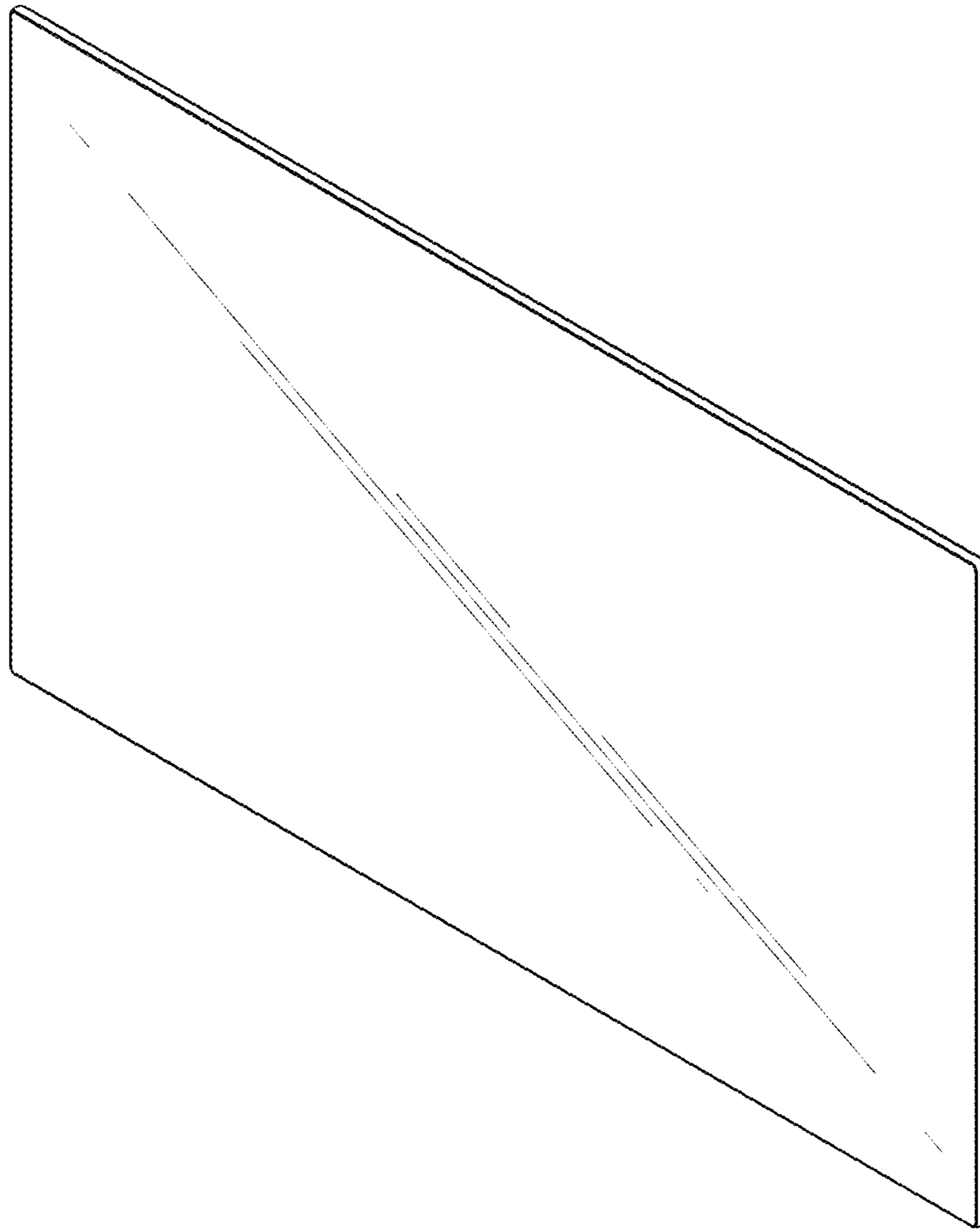
**References Cited**

U.S. PATENT DOCUMENTS

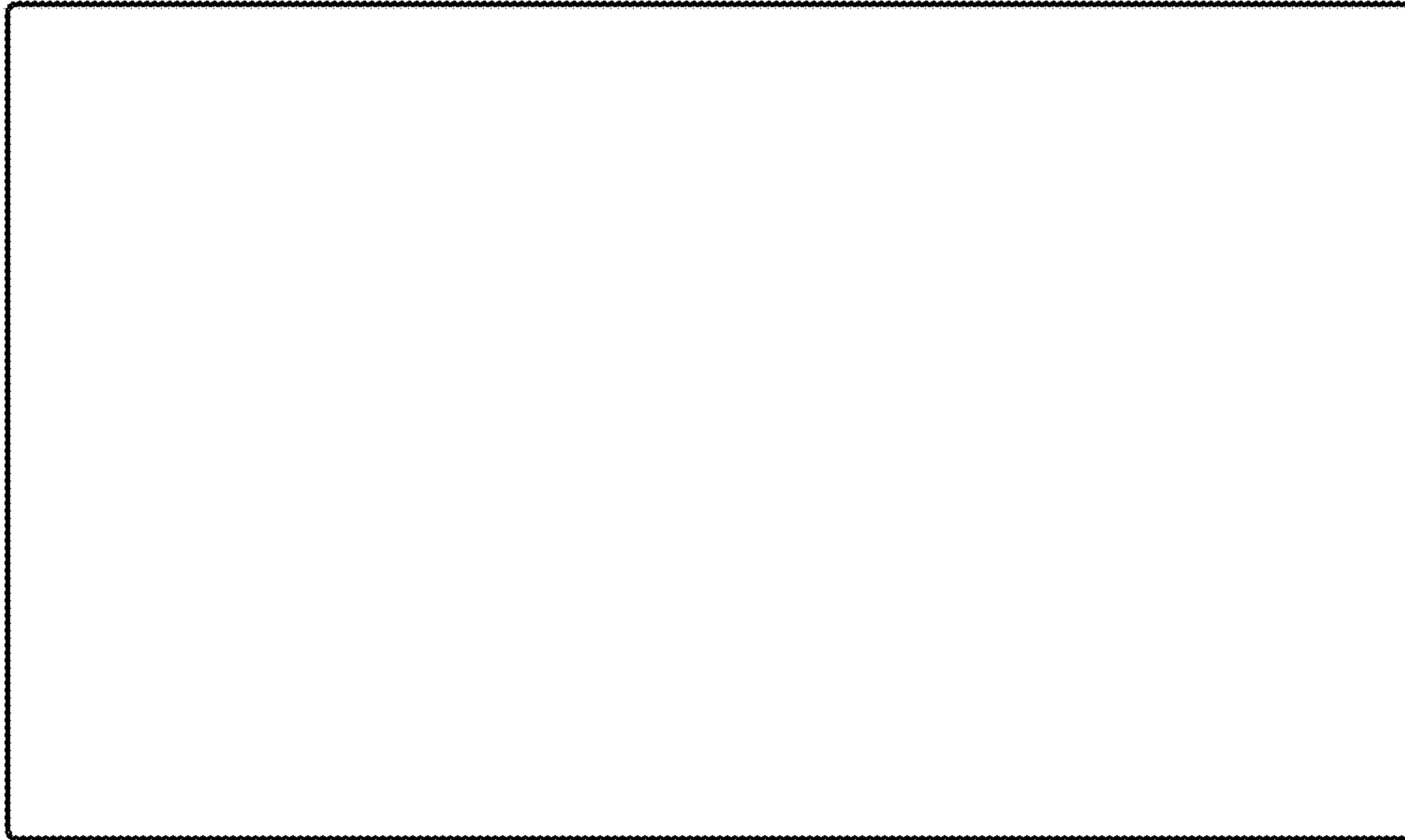
D807,848 S *	1/2018	Lee .....	D14/126
D820,228 S *	6/2018	Kim .....	D14/126
D822,632 S *	7/2018	Lee .....	D14/126
D826,886 S *	8/2018	Cha .....	D14/126
D830,984 S *	10/2018	Kim .....	D14/126
D835,593 S *	12/2018	Shin .....	D14/126

\* cited by examiner

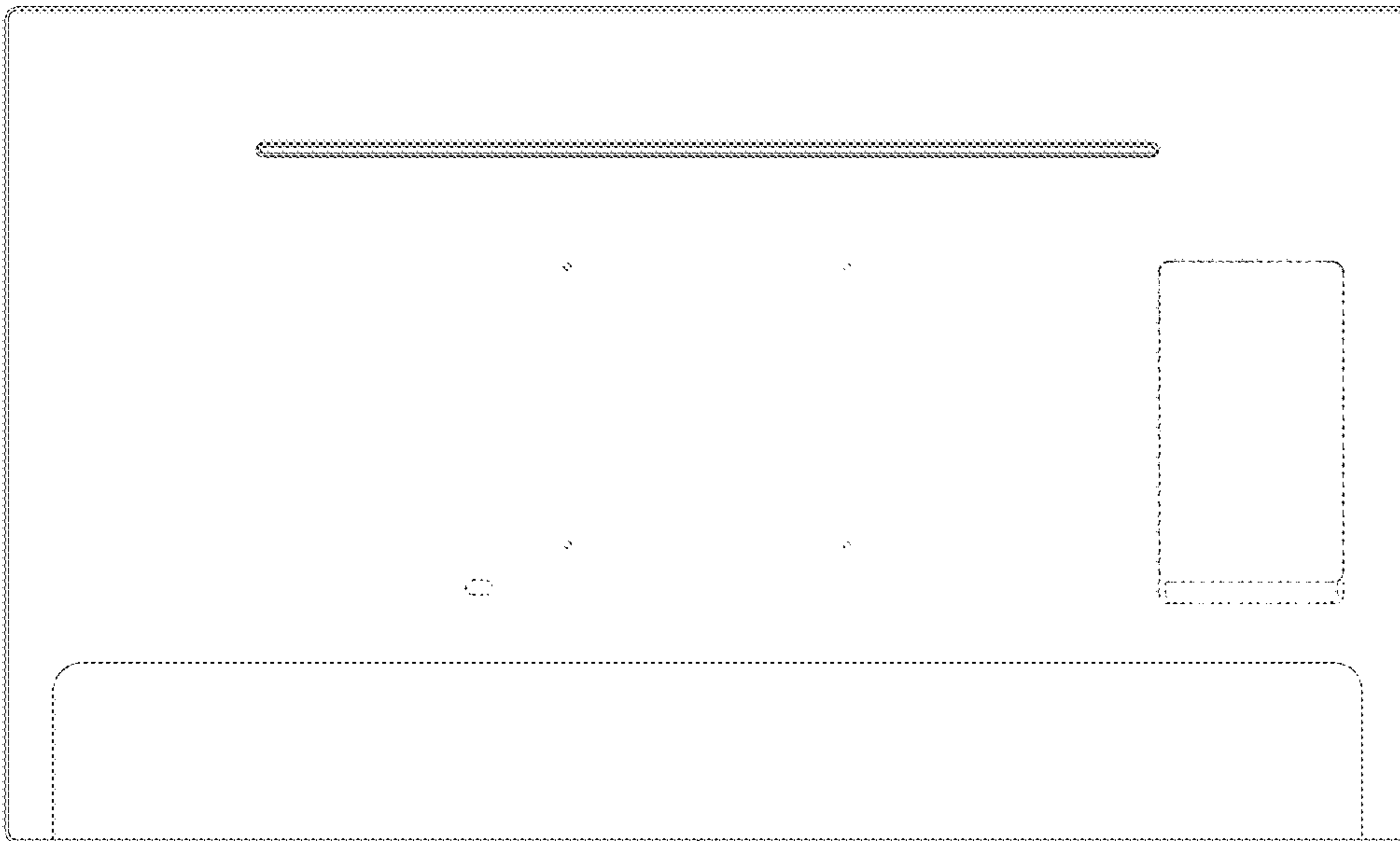
1.1



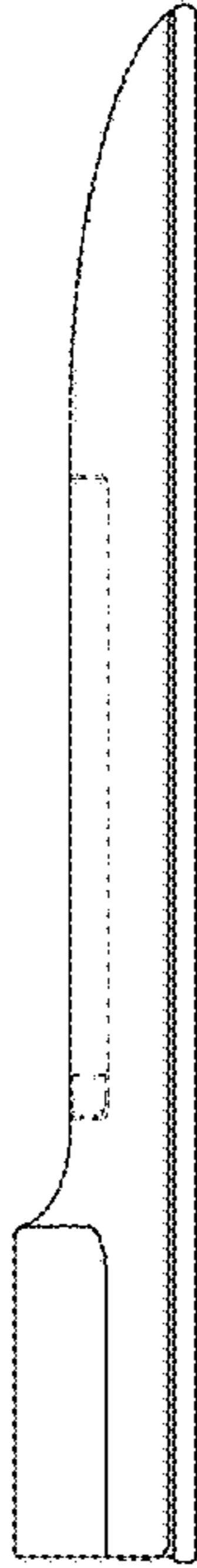
1.2



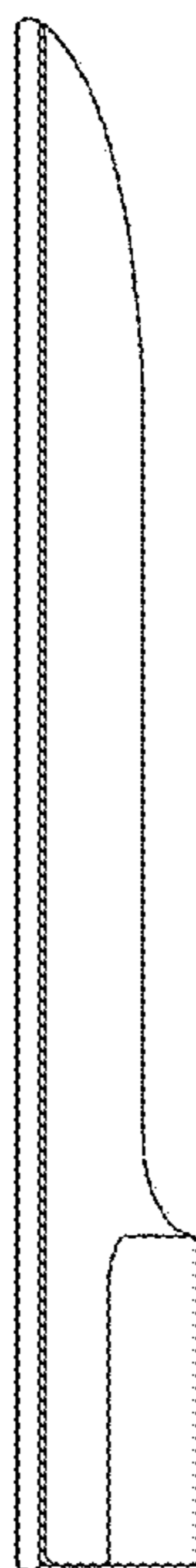
1.3



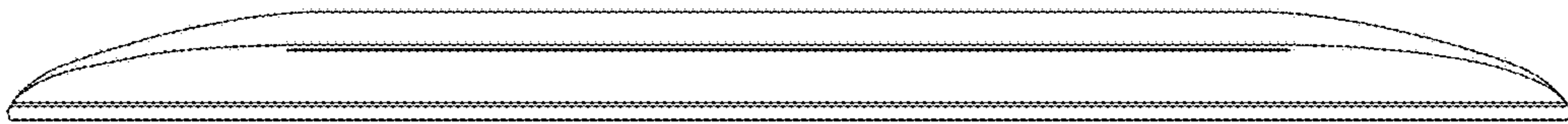
1.4



1.5



1.6



1.7

