



US00D856290S

(12) **United States Design Patent**  
**Lin et al.**

(10) **Patent No.: US D856,290 S**

(45) **Date of Patent: \*\* \*Aug. 13, 2019**

(54) **RFOG TELECOMMUNICATIONS NODE**

(71) Applicant: **PCT International, Inc.**, Mesa, AZ  
(US)

(72) Inventors: **Kang Lin**, Chandler, AZ (US);  
**Humberto M. Valdes**, Buckeye, AZ  
(US)

(\*) Notice: This patent is subject to a terminal disclaimer.

(\*\*) Term: **15 Years**

(21) Appl. No.: **29/585,853**

(22) Filed: **Nov. 29, 2016**

(51) **LOC (12) Cl.** ..... **13-03**

(52) **U.S. Cl.**  
USPC ..... **D13/180**

(58) **Field of Classification Search**  
USPC ..... D13/133, 146, 147, 154, 184, 199  
CPC ..... H01R 9/09; H01R 9/091; H01R 9/098;  
H01R 9/22; H01R 9/24; H01R 9/2408;  
H01R 9/2691; H01R 9/28; H01R 4/029;  
H01R 4/28; H01R 4/4836; H01R 4/4818;  
H01R 4/4845; H01R 9/2475; H01R  
12/53; H01R 12/58; H01R 13/502  
See application file for complete search history.

(56) **References Cited**

**U.S. PATENT DOCUMENTS**

D320,381 S \* 10/1991 McGrane ..... 439/798  
D335,486 S \* 5/1993 Fatalo ..... D13/147

D593,951 S \* 6/2009 Yoon ..... D13/147  
D612,808 S \* 3/2010 Billerbeck ..... D13/147  
D613,693 S \* 4/2010 Bender ..... D13/147  
D618,619 S \* 6/2010 Walter ..... D13/147  
D676,391 S \* 2/2013 Gassauer ..... D13/147

\* cited by examiner

*Primary Examiner* — Daniel D Bui

(74) *Attorney, Agent, or Firm* — Thomas W. Galvani,  
P.C.; Thomas W. Galvani

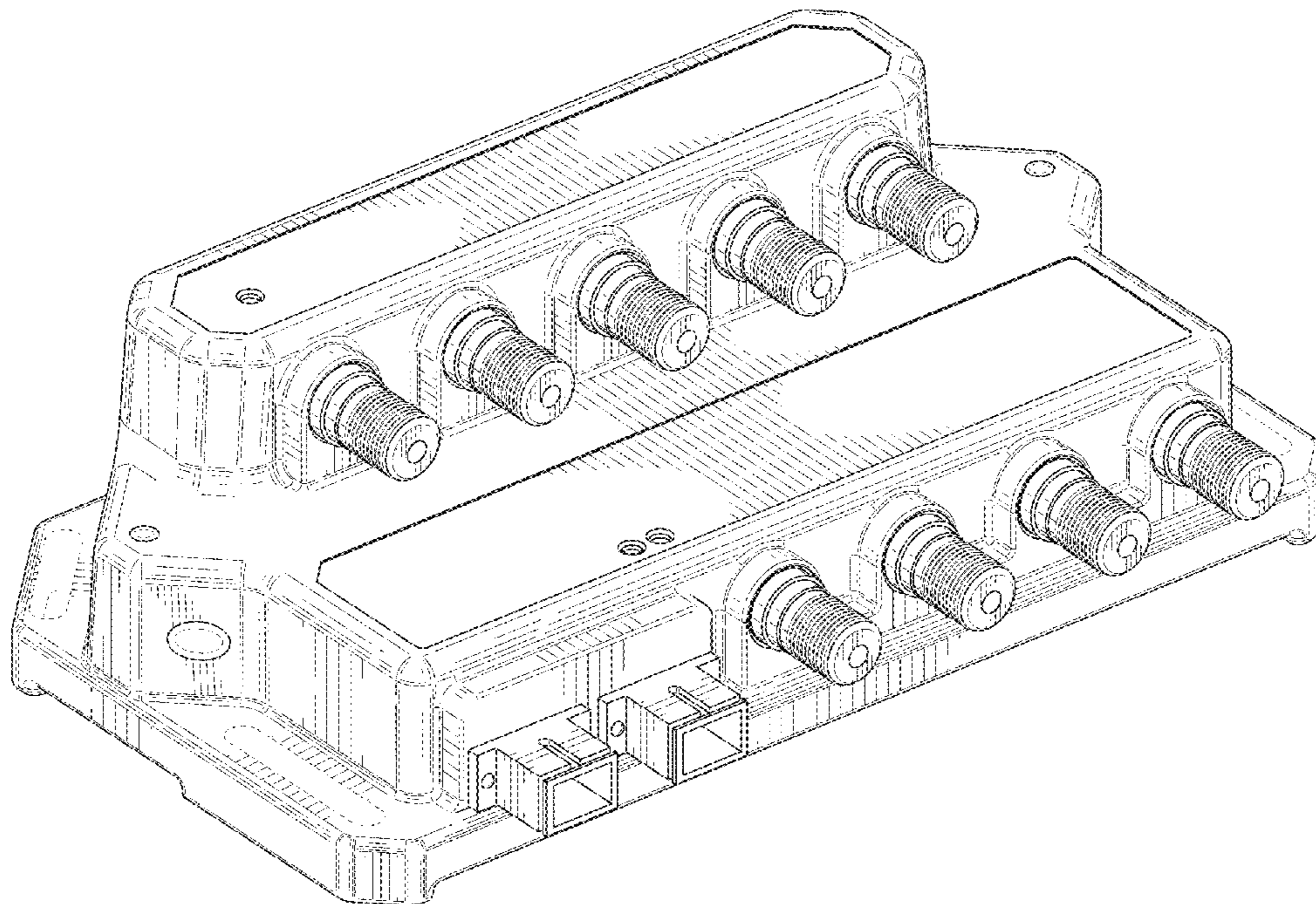
(57) **CLAIM**

The ornamental design for an RFoG telecommunications node, as shown and described.

**DESCRIPTION**

FIG. 1 is a top perspective view of an RFoG telecommunications node showing our new design; FIG. 2 is a bottom perspective view thereof; FIG. 3 is a front elevation view thereof; FIG. 4 is a rear elevation view thereof; FIG. 5 is a left side elevation view thereof; FIG. 6 is a right side elevation view thereof; FIG. 7 is a top plan view thereof; and, FIG. 8 is a bottom plan view thereof. The broken line shown in the drawing views is for the purpose of illustrating unclaimed environment only and forms no part of the claimed design.

**1 Claim, 8 Drawing Sheets**



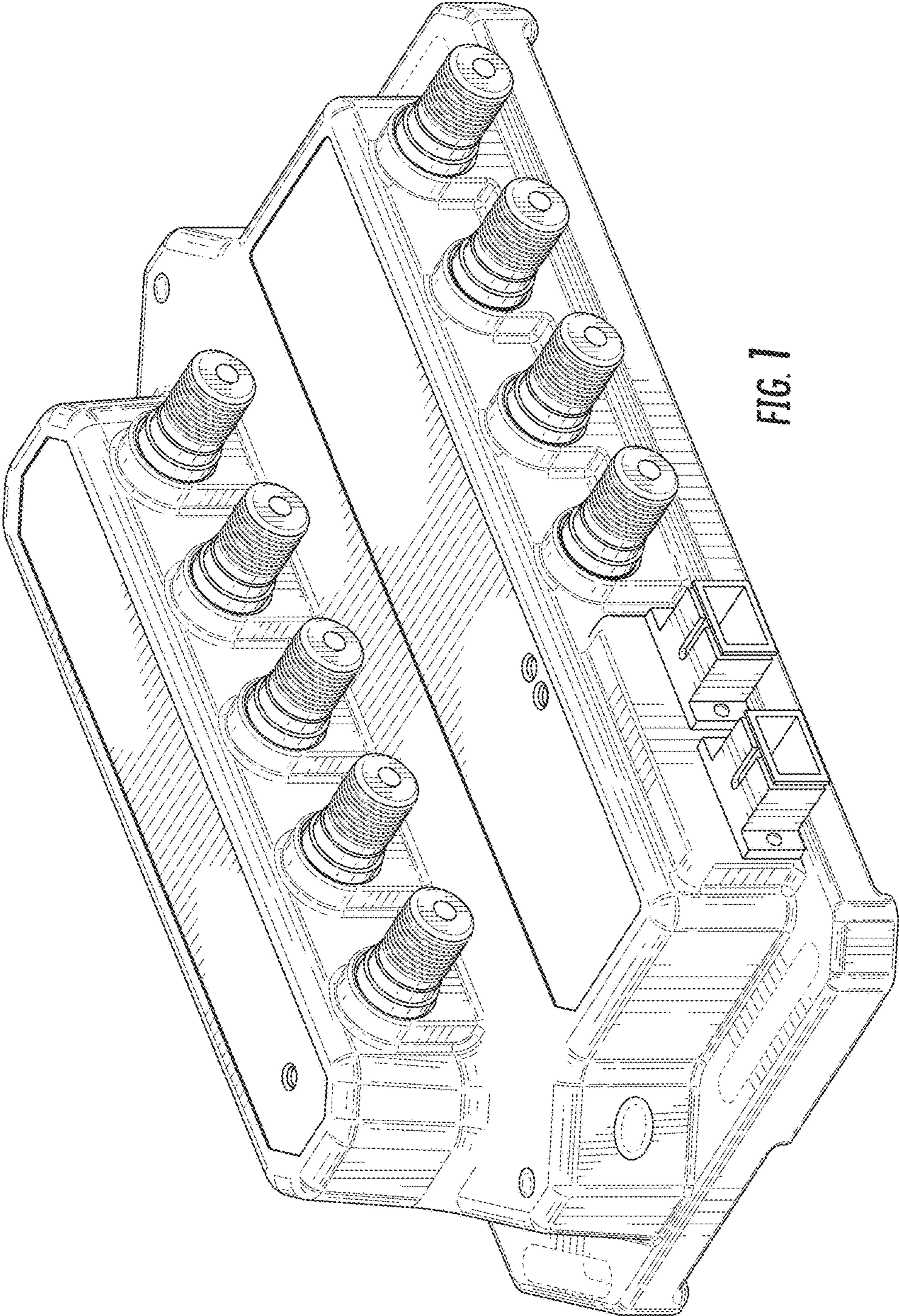
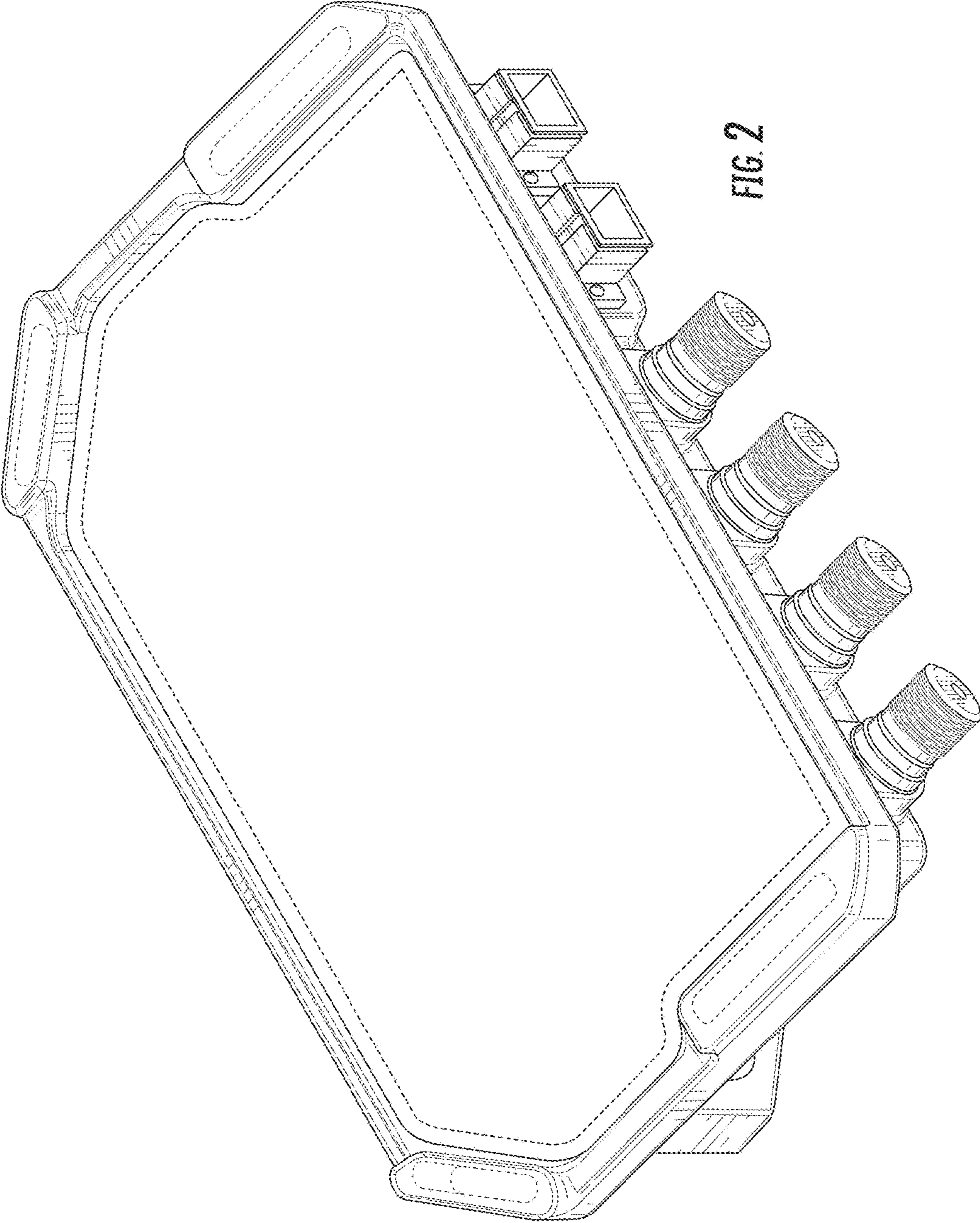


FIG. 1



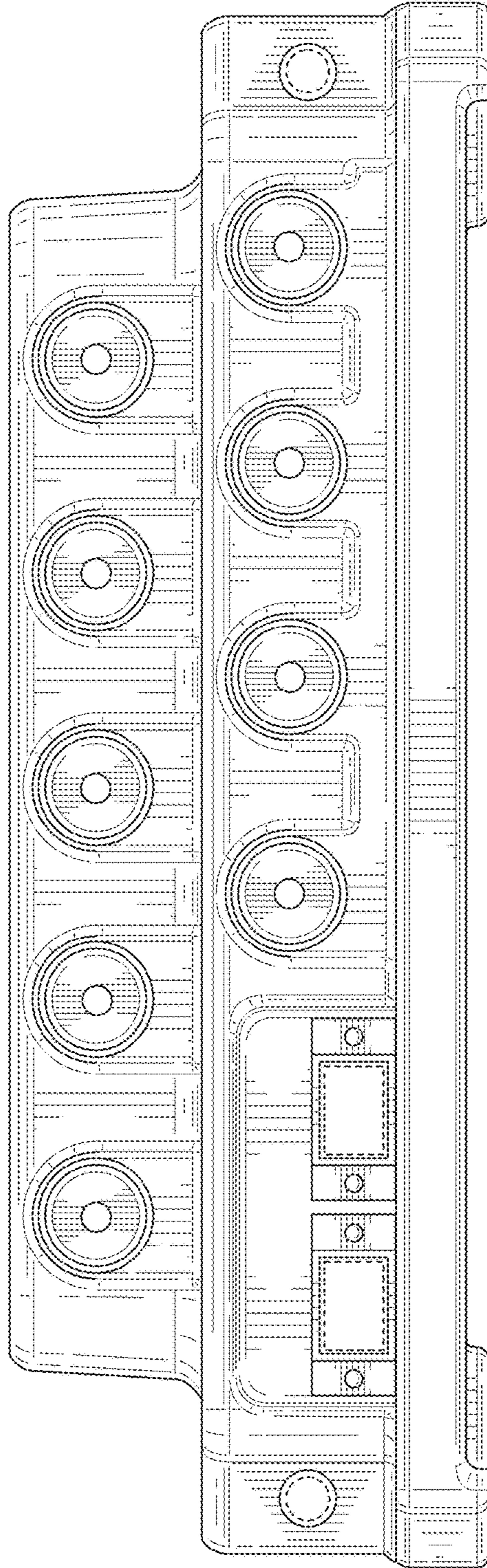


FIG. 3

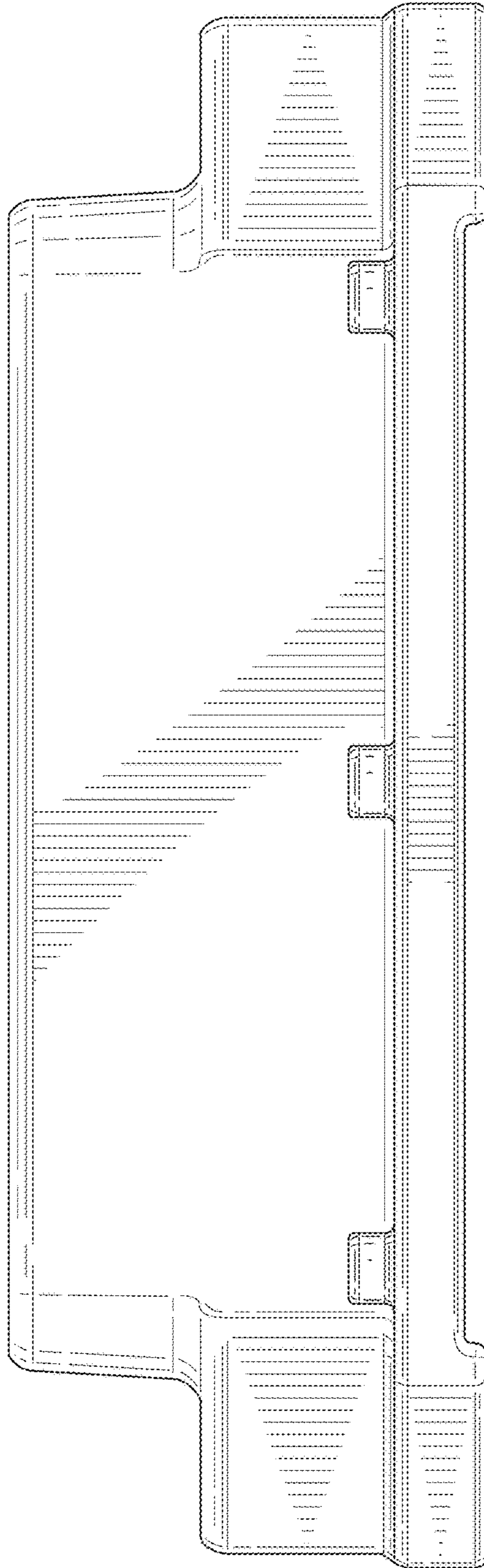


FIG. 4

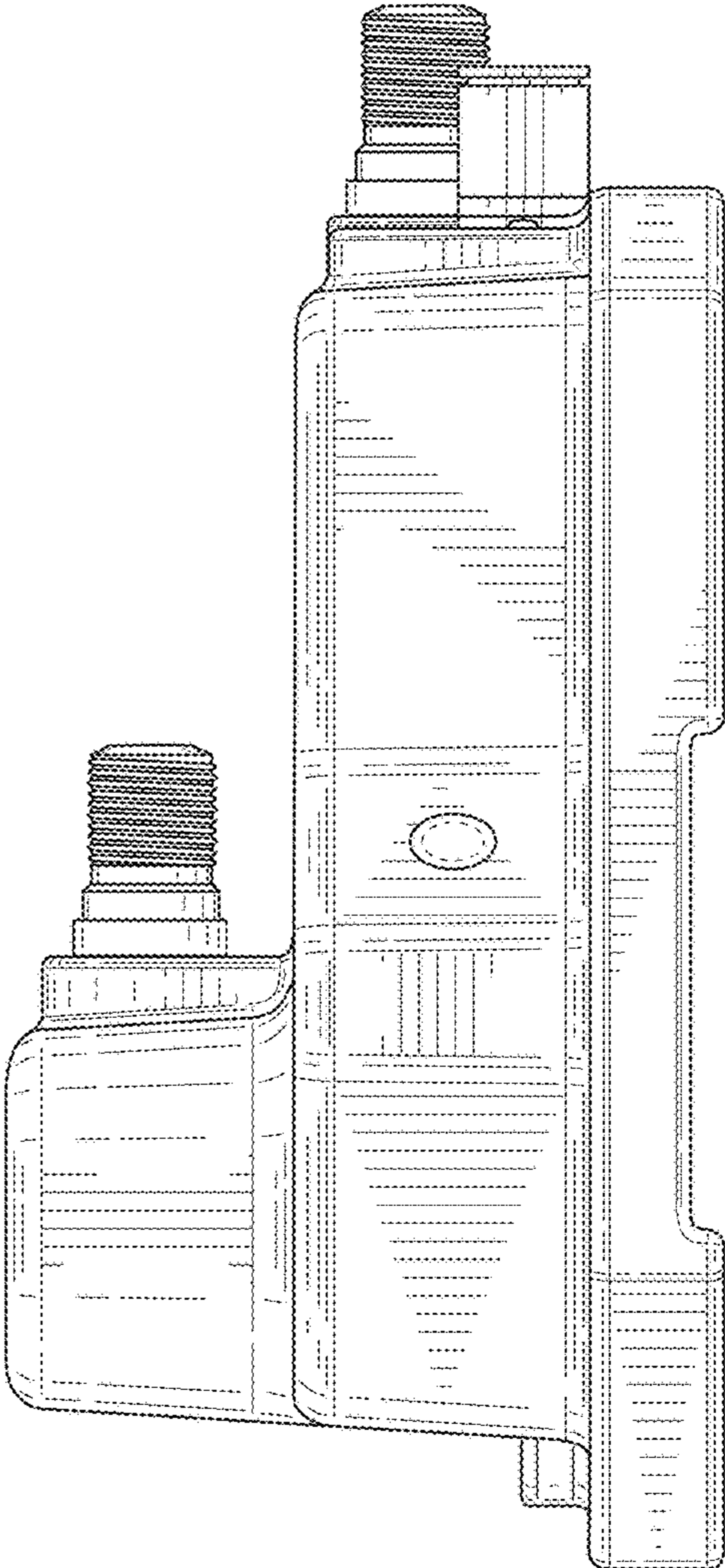


FIG. 5

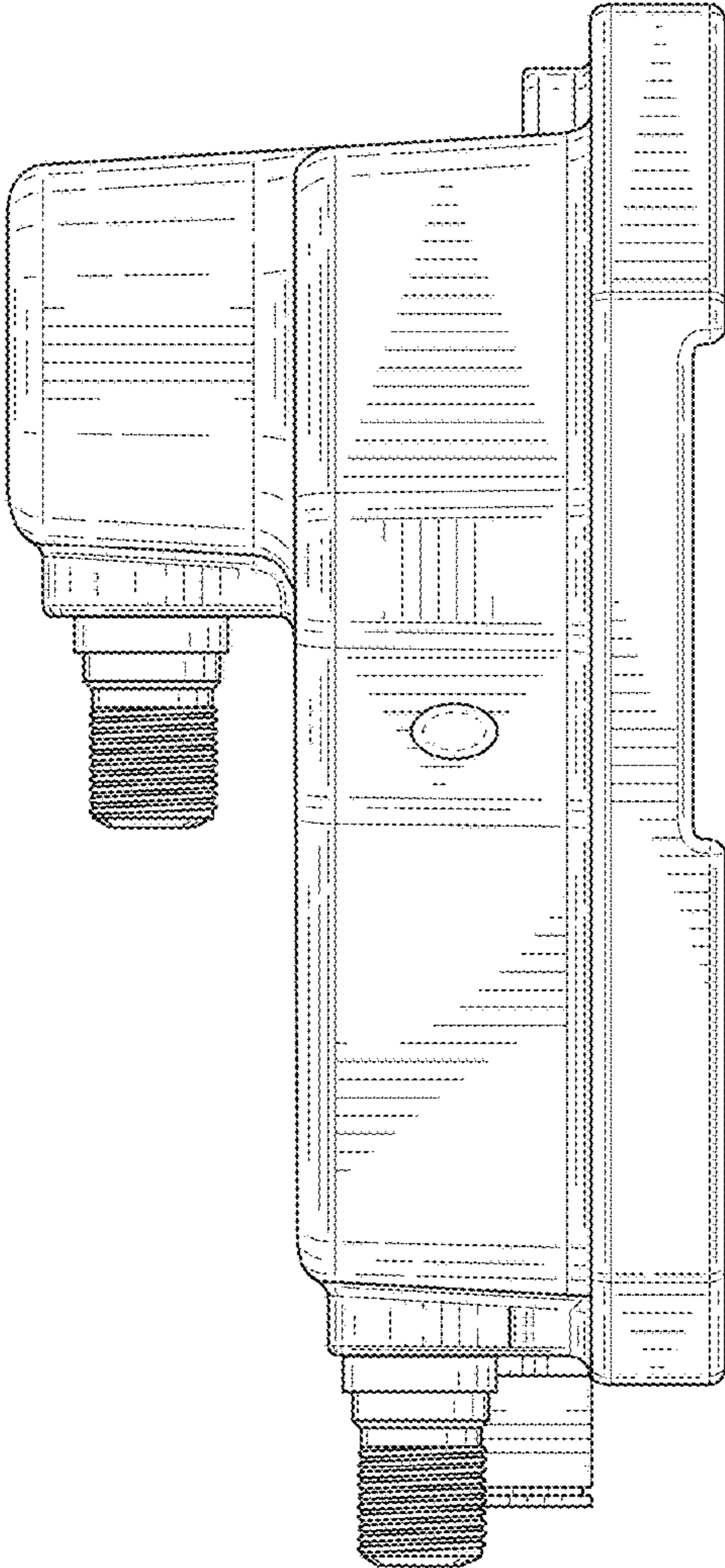


FIG. 6

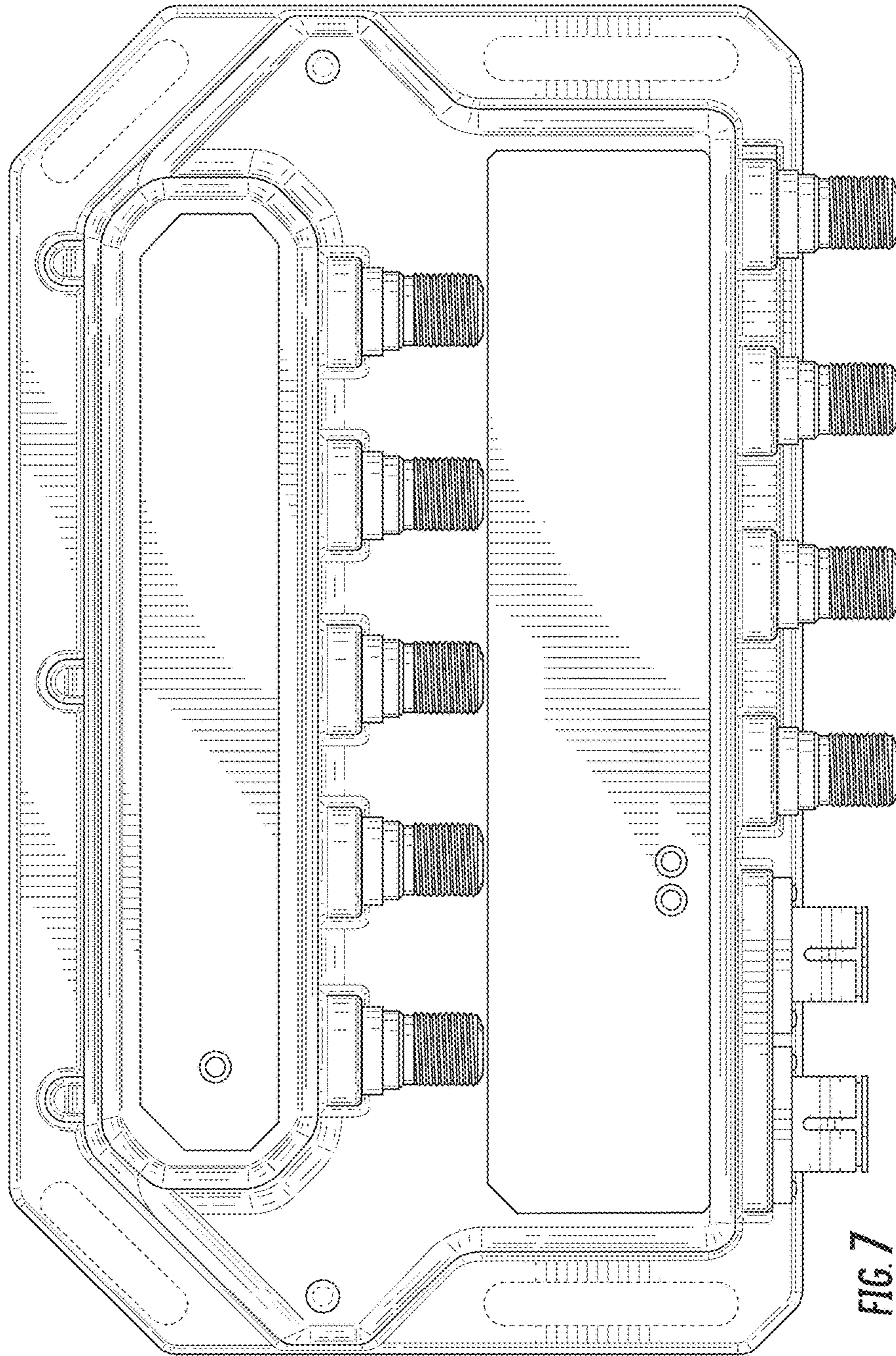


FIG. 7



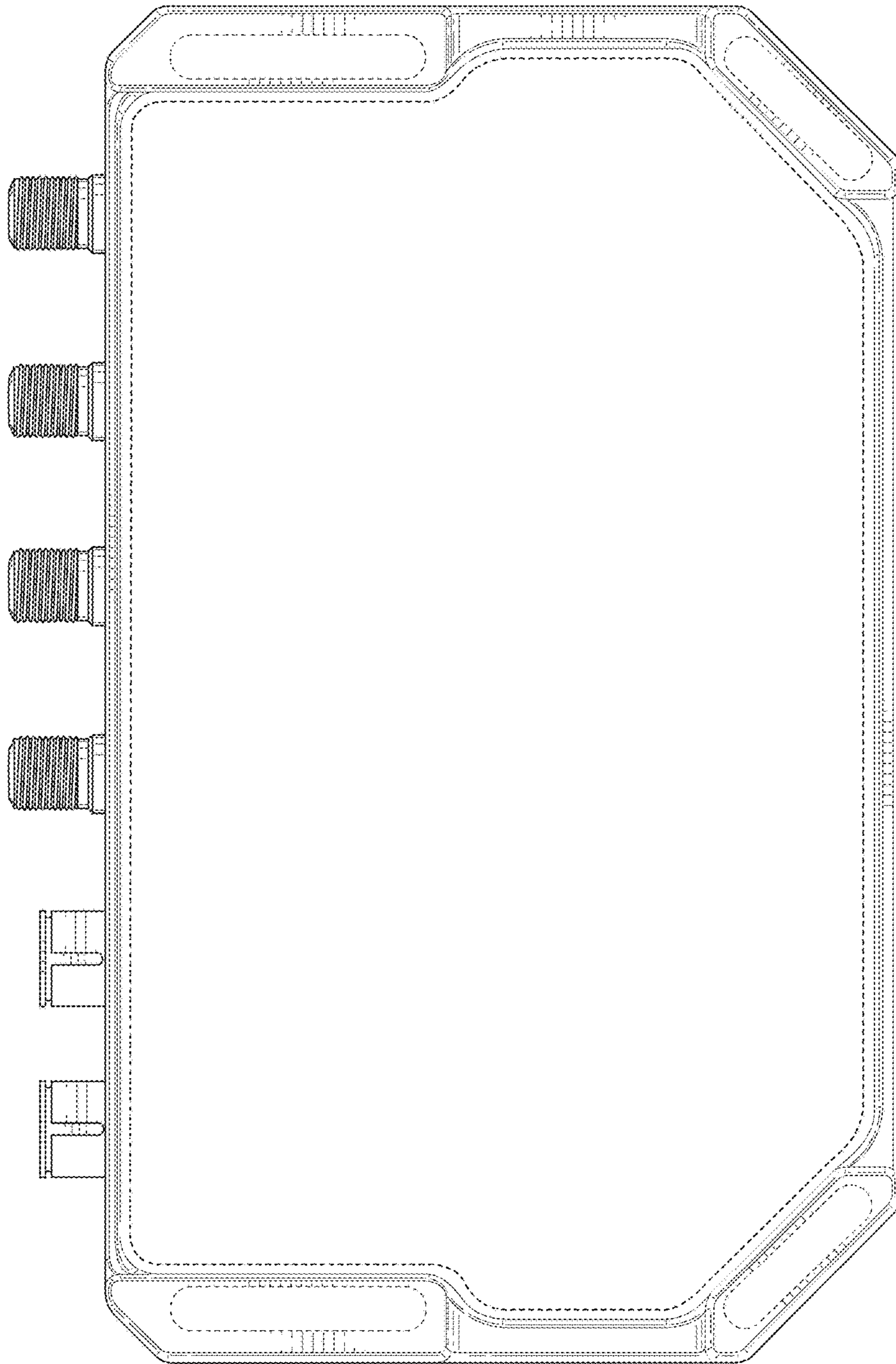


FIG. 8