



US00D856289S

(12) **United States Design Patent**
Bould et al.

(10) **Patent No.:** **US D856,289 S**
(45) **Date of Patent:** **** Aug. 13, 2019**

(54) **REMOTE CONTROL HOUSING**

(71) Applicant: **Hunter Douglas Inc.**, Pearl River, NY (US)

(72) Inventors: **Fred Bould**, Menlo Park, CA (US); **Kwan Hon Anson Cheung**, San Francisco, CA (US); **Byron Lee**, San Mateo, CA (US)

(73) Assignee: **Hunter Douglas Inc.**, Pearl River, NY (US)

(**) Term: **15 Years**

(21) Appl. No.: **29/645,927**

(22) Filed: **Apr. 30, 2018**

(51) **LOC (12) Cl.** **14-03**

(52) **U.S. Cl.**
USPC **D13/168; D14/218**

(58) **Field of Classification Search**
USPC D13/108, 168; D14/149, 218, 251, 447
CPC G06F 1/1656; G08C 17/02; F16M 11/11;
F16M 13/02; F16M 2200/08
See application file for complete search history.

(56) **References Cited**

U.S. PATENT DOCUMENTS

D96,018 S * 6/1935 Cannon D14/251
D253,786 S 12/1979 Montague
D268,601 S 4/1983 Lee

(Continued)

FOREIGN PATENT DOCUMENTS

EM DM/056217 5/2001
EM DM/058062 9/2001

(Continued)

Primary Examiner — Selina Sikder

(74) *Attorney, Agent, or Firm* — Leason Ellis LLP

(57) **CLAIM**

The ornamental design for a remote control housing, as shown and described.

DESCRIPTION

FIG. 1 is a front perspective view of a remote control housing according to a first embodiment of the claimed design;

FIG. 2 is a front view of the remote control housing of FIG. 1;

FIG. 3 is a rear view of the remote control housing of FIG. 1;

FIG. 4 is a left side view of the remote control housing of FIG. 1;

FIG. 5 is a right side view of the remote control housing of FIG. 1;

FIG. 6 is a top view of the remote control housing of FIG. 1;

FIG. 7 is a bottom view of the remote control housing of FIG. 1;

FIG. 8 rear perspective view of a remote control housing of FIG. 1;

FIG. 9 is a front perspective view of a remote control housing according to a second embodiment of the claimed design;

FIG. 10 is a front view of the remote control housing of FIG. 9;

FIG. 11 is a rear view of the remote control housing of FIG. 9;

FIG. 12 is a left side view of the remote control housing of FIG. 9;

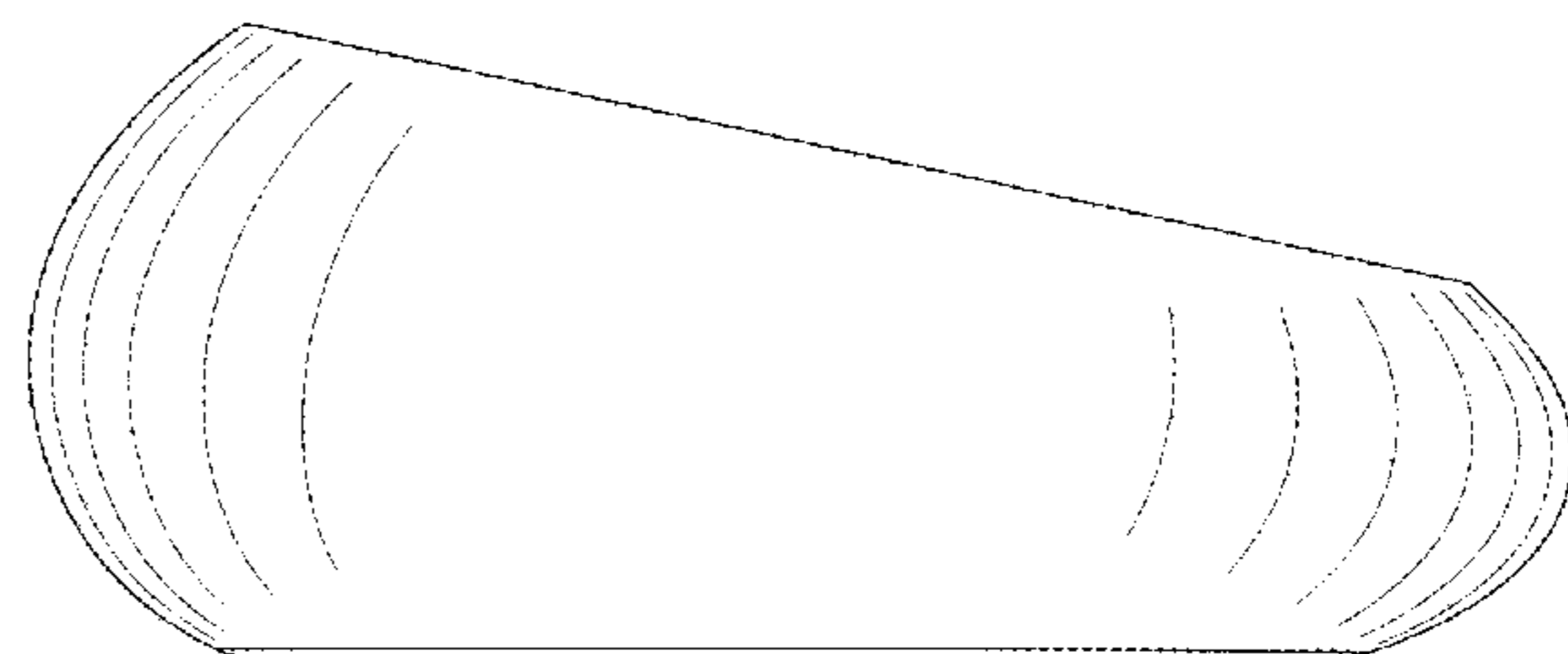
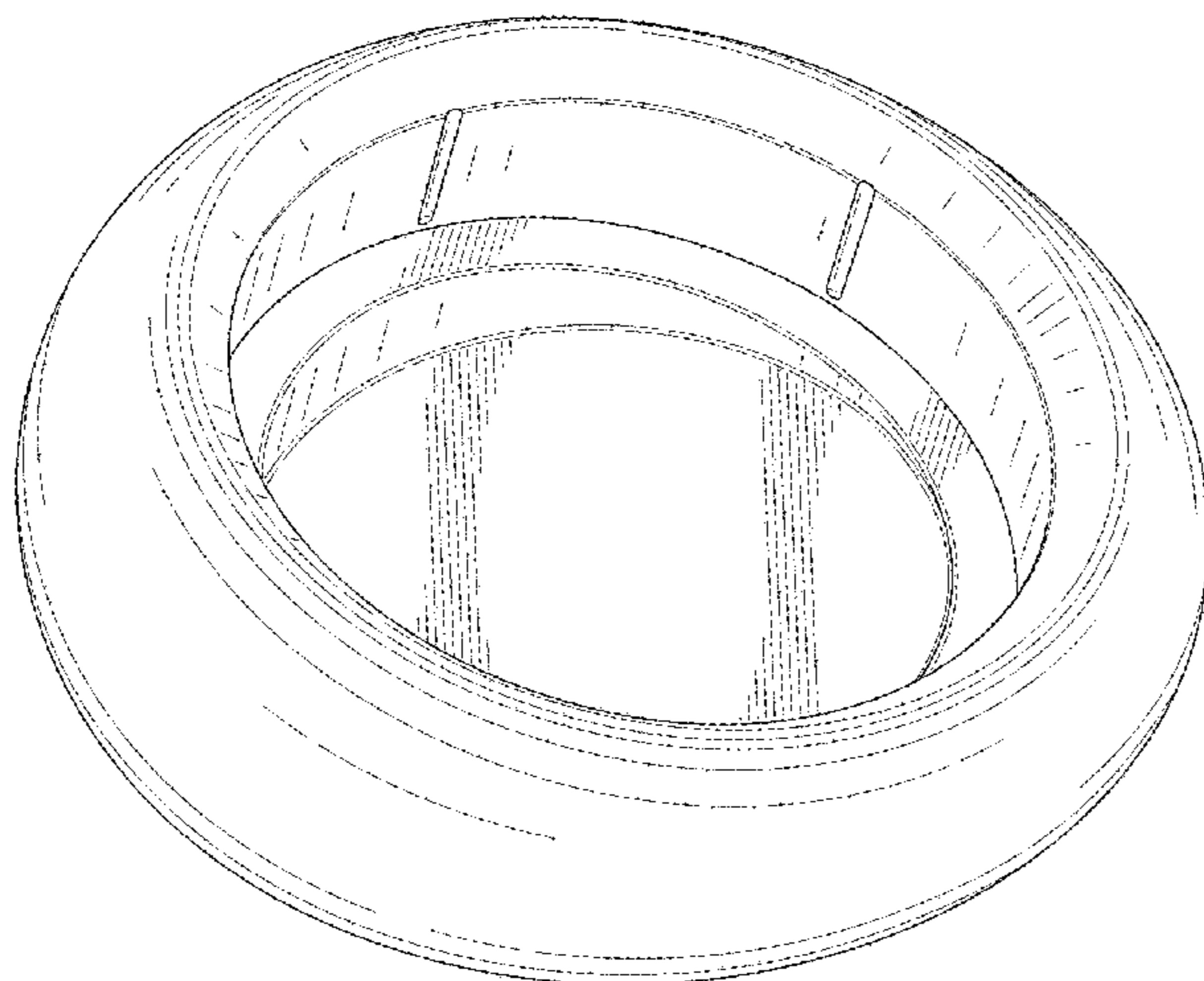
FIG. 13 is a right side view of the remote control housing of FIG. 9;

FIG. 14 is a top view of the remote control housing of FIG. 9;

FIG. 15 is a bottom view of the remote control housing of FIG. 9; and,

FIG. 16 is a rear perspective view of a remote control housing of FIG. 9.

1 Claim, 12 Drawing Sheets



(56)

References Cited

U.S. PATENT DOCUMENTS

D309,199 S * 7/1990 McMahon D30/118
 D327,690 S 7/1992 Ogawa
 5,243,430 A 9/1993 Emmons
 D346,598 S 5/1994 McCay
 D371,791 S 7/1996 Patton
 D371,792 S 7/1996 Patton
 D371,793 S 7/1996 Patton
 D375,909 S 11/1996 Dziersk
 6,641,055 B1 11/2003 Tiernan
 D487,454 S 3/2004 Wang
 D497,882 S 9/2004 Borsboom
 D505,417 S 5/2005 Wang
 D516,025 S * 2/2006 Quinn D13/108
 D518,030 S 3/2006 Lin
 D524,282 S * 7/2006 Beasley D13/108
 D526,966 S 8/2006 Chen
 D526,973 S 8/2006 Gates
 7,140,551 B2 11/2006 de Pauw
 D533,513 S 12/2006 Marchetto
 D536,665 S * 2/2007 Solland D13/108
 D540,291 S * 4/2007 Heath D14/137
 D541,228 S 4/2007 Thursfield
 D542,234 S 5/2007 Shimizu
 D546,280 S * 7/2007 Marchetto D13/107
 D550,633 S * 9/2007 Gupta D13/168
 D553,123 S * 10/2007 Solland D14/217
 7,298,311 B2 11/2007 Horie
 D561,113 S 2/2008 Samhammer
 D595,670 S 7/2009 Glassman
 D596,622 S 7/2009 Lee
 D598,003 S 8/2009 Park
 D601,564 S 10/2009 Maeno
 D602,915 S 10/2009 Song
 7,667,163 B2 2/2010 Ashworth
 D619,121 S 7/2010 Feldstein
 D627,306 S 11/2010 Charleux
 D631,010 S * 1/2011 Smith D13/108
 D632,262 S 2/2011 Feldstein
 D632,265 S 2/2011 Choi
 D639,783 S 6/2011 Murayama
 D639,784 S 6/2011 Murayama
 D640,248 S * 6/2011 Baumann D14/253
 7,969,732 B1 * 6/2011 Noble F16M 11/041
 248/917
 D643,412 S 8/2011 Brady
 D643,844 S * 8/2011 Akana D14/447
 D645,047 S * 9/2011 Wike D14/447
 D654,921 S * 2/2012 Malsan D14/447
 8,138,942 B2 3/2012 Otsuka
 D660,732 S 5/2012 Bould
 8,188,842 B2 5/2012 Otsuka
 8,195,313 B1 6/2012 Fadell
 D666,162 S * 8/2012 Petrillo D13/168
 D677,180 S 3/2013 Plitkins
 D693,332 S * 11/2013 Lee D13/168
 D693,353 S * 11/2013 Shu D14/447
 D693,814 S * 11/2013 Park D14/434
 D695,701 S * 12/2013 Lee D14/126
 D700,904 S 3/2014 Miller
 D701,831 S * 4/2014 Park D13/108
 D711,345 S 8/2014 Liu

D714,787 S 10/2014 Matsuoka
 D719,960 S * 12/2014 Akana D14/447
 D724,060 S 3/2015 Ahn
 D726,161 S 4/2015 Howard
 D727,877 S * 4/2015 Seoc D14/209.1
 D729,773 S 5/2015 Salojärvi
 D738,355 S 9/2015 Smith
 D738,858 S 9/2015 Tuhkanen
 9,175,871 B2 11/2015 Gourlay
 D746,165 S 12/2015 Li
 D746,166 S 12/2015 Li
 9,222,693 B2 12/2015 Gourlay
 9,223,323 B2 12/2015 Matas
 9,298,196 B2 3/2016 Matsuoka
 9,338,903 B1 * 5/2016 Loscalzo A47B 23/042
 D769,227 S * 10/2016 Kass D14/218
 9,581,342 B2 * 2/2017 Daniels F24D 19/10
 D783,002 S * 4/2017 Pool D14/218
 D798,842 S * 10/2017 Kass D14/218
 D800,060 S * 10/2017 Solland D13/108
 D811,392 S * 2/2018 Lu D14/358
 D832,264 S * 10/2018 Kim D14/434
 D836,569 S * 12/2018 Kim D13/168
 D838,695 S * 1/2019 Yang D14/230
 10,168,744 B2 * 1/2019 Kass G06F 1/1656
 2007/0241929 A1 * 10/2007 Marchetto H01H 9/0235
 340/13.24
 2007/0247439 A1 * 10/2007 Daniel G06F 1/1601
 345/173
 2008/0168501 A1 7/2008 Migos
 2008/0172695 A1 7/2008 Migos
 2009/0121905 A1 5/2009 Griffin, Jr.
 2009/0267897 A1 10/2009 Ootsuka
 2010/0051764 A1 * 3/2010 Hayashi F16M 13/00
 248/176.1
 2010/0053464 A1 * 3/2010 Otsuka G08C 17/02
 348/734
 2010/0198425 A1 8/2010 Donovan
 2011/0221622 A1 9/2011 West
 2014/0191102 A1 * 7/2014 Lin A47B 23/00
 248/454
 2016/0239044 A1 * 8/2016 Kass G06F 1/1656

FOREIGN PATENT DOCUMENTS

EM DM/061922 11/2002
 EM 001628371-0001 10/2009
 EM DM/073527 4/2010
 EM DM/073994 6/2010
 EM DM/074389 9/2010
 EM DM/086064 3/2015
 EM 002743450-0001 7/2015
 EM 002745323-0001 7/2015
 EM 002745422-0001 7/2015
 EM DM/093994 12/2016
 EM 003640630-0001 1/2017
 EM 004185007-0001 9/2017
 EM 004185502-0001 9/2017
 EP 0458480 A2 11/1991
 WO 2009033693 A1 3/2009
 WO 2010095069 A1 8/2010
 WO 2017204567 A1 11/2017

* cited by examiner

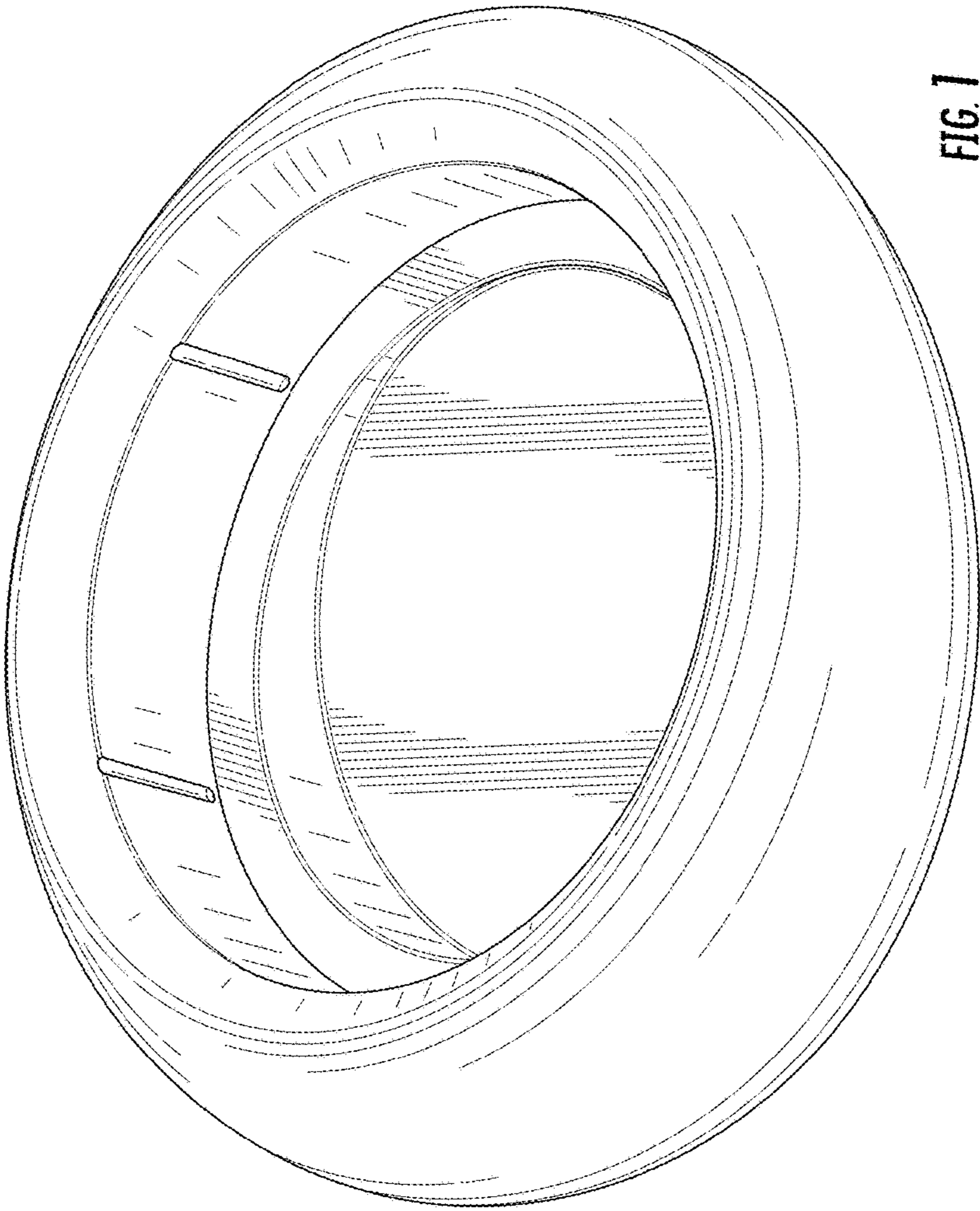


FIG. 1

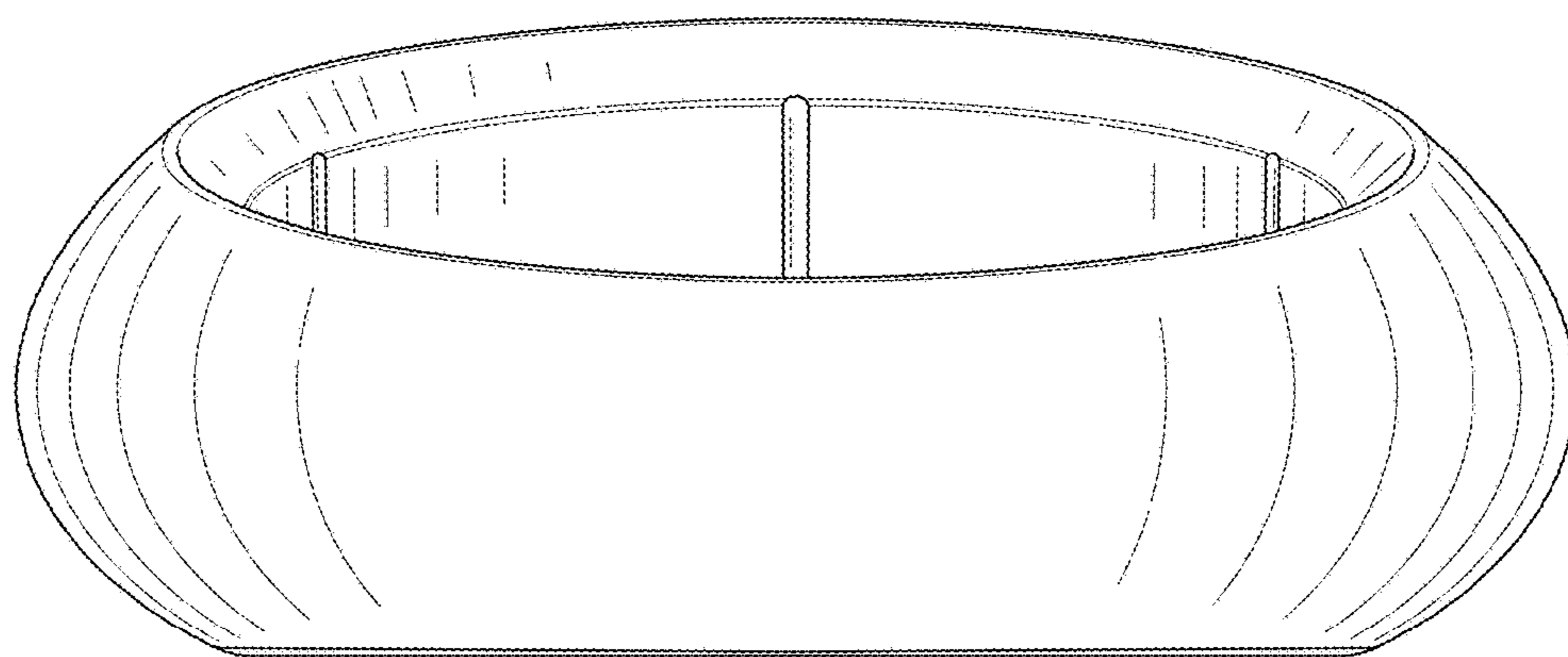


FIG. 2

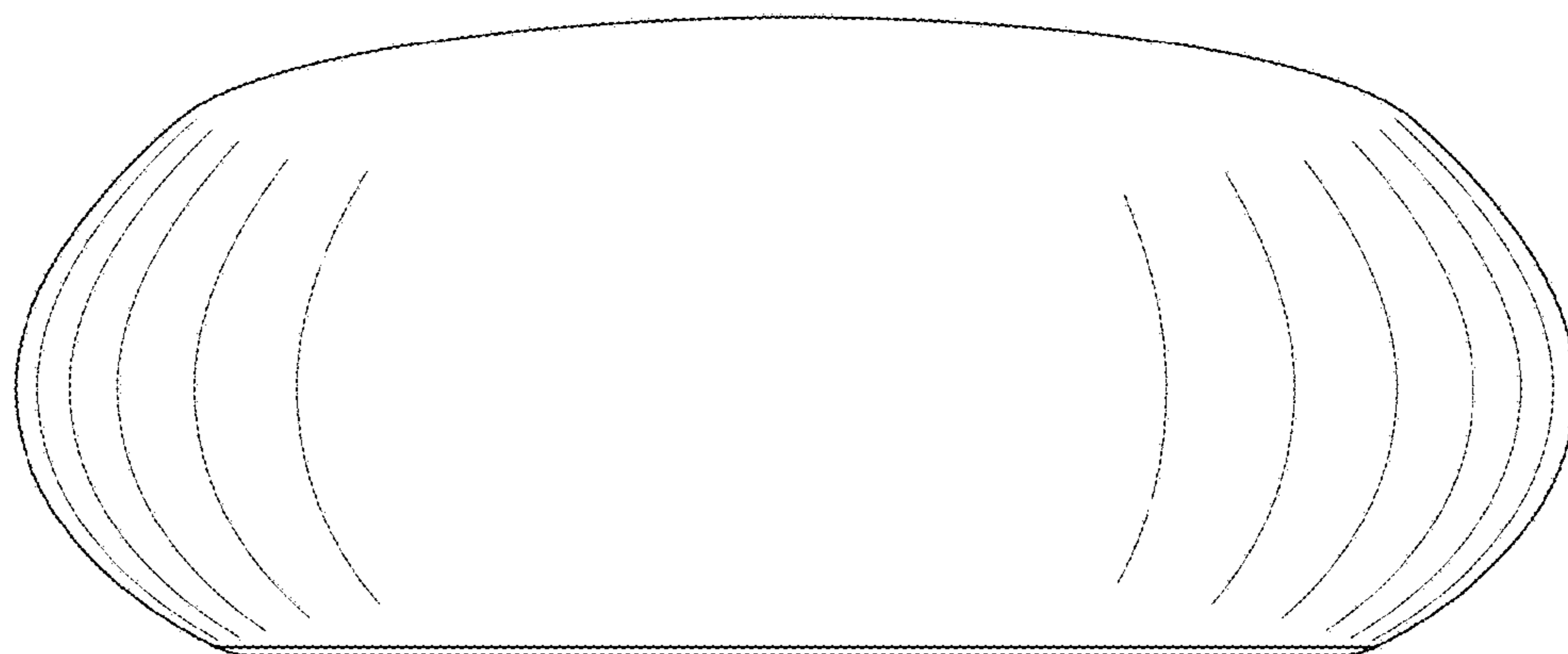


FIG. 3

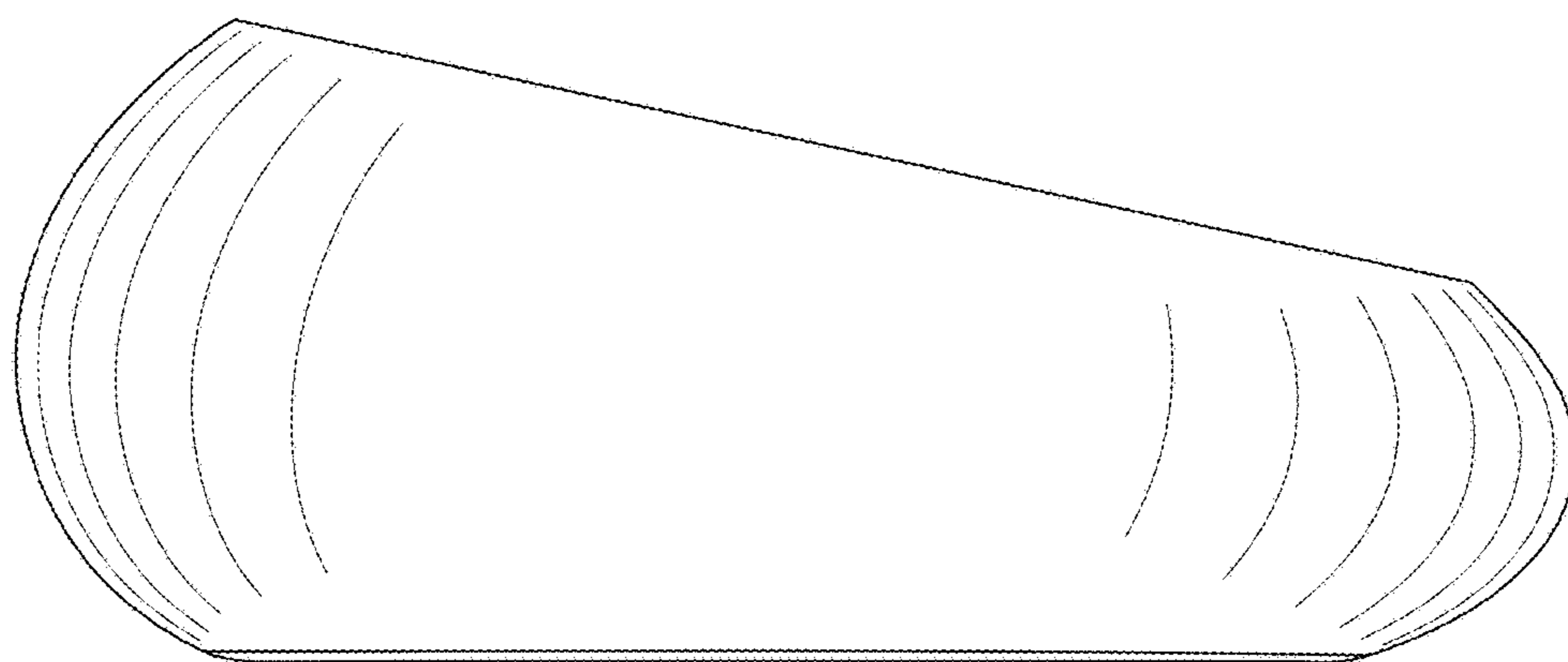


FIG. 4

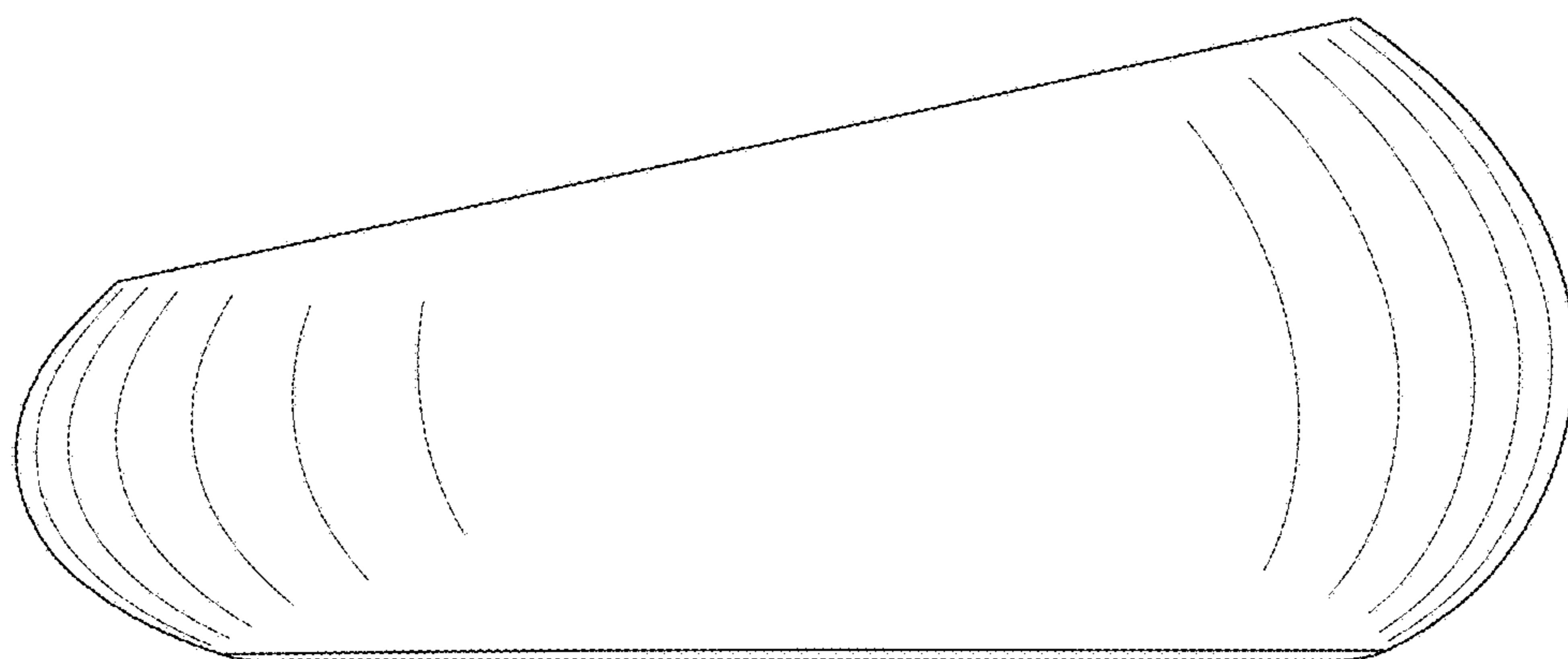


FIG. 5

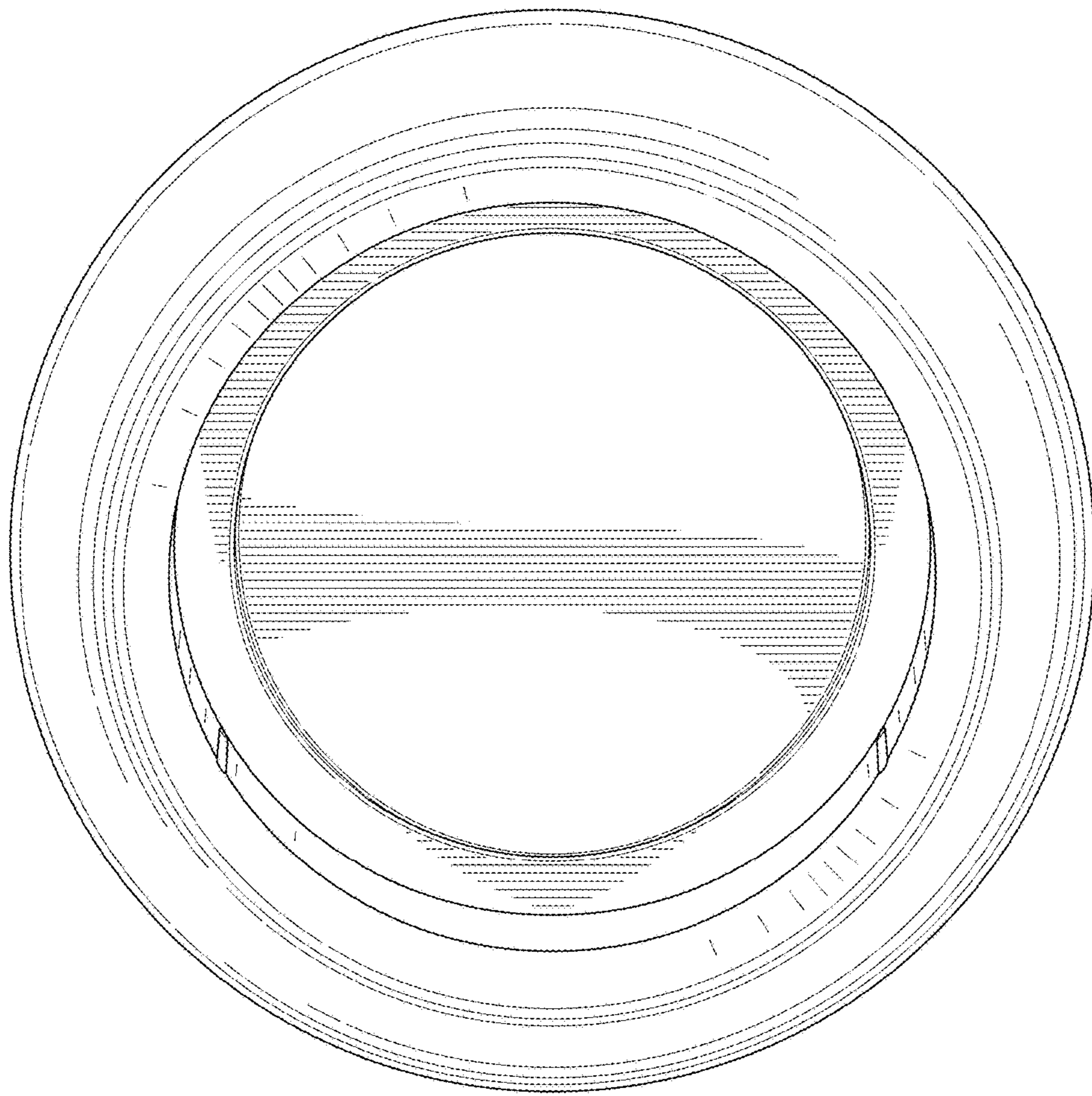


FIG. 6

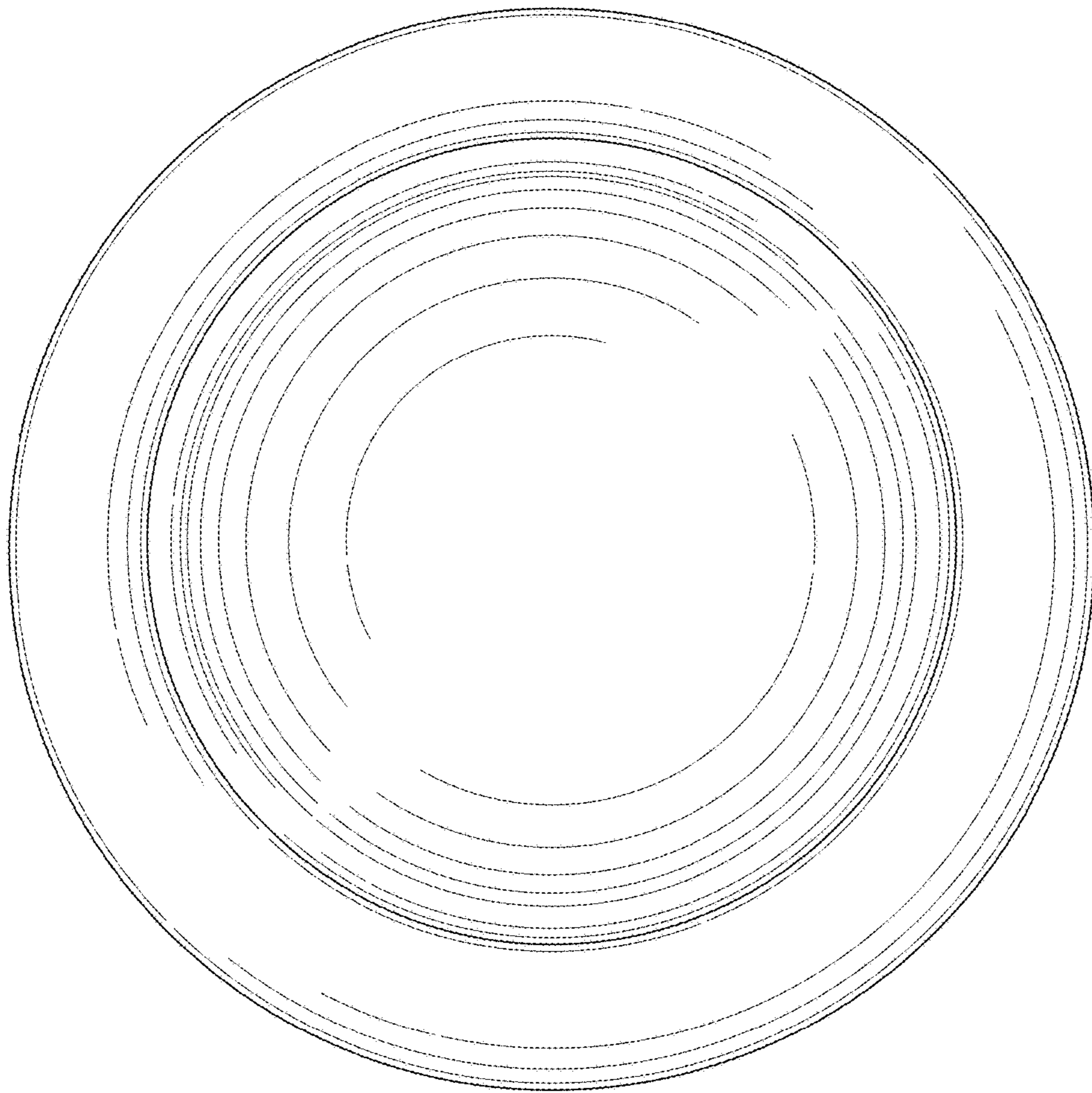


FIG. 7

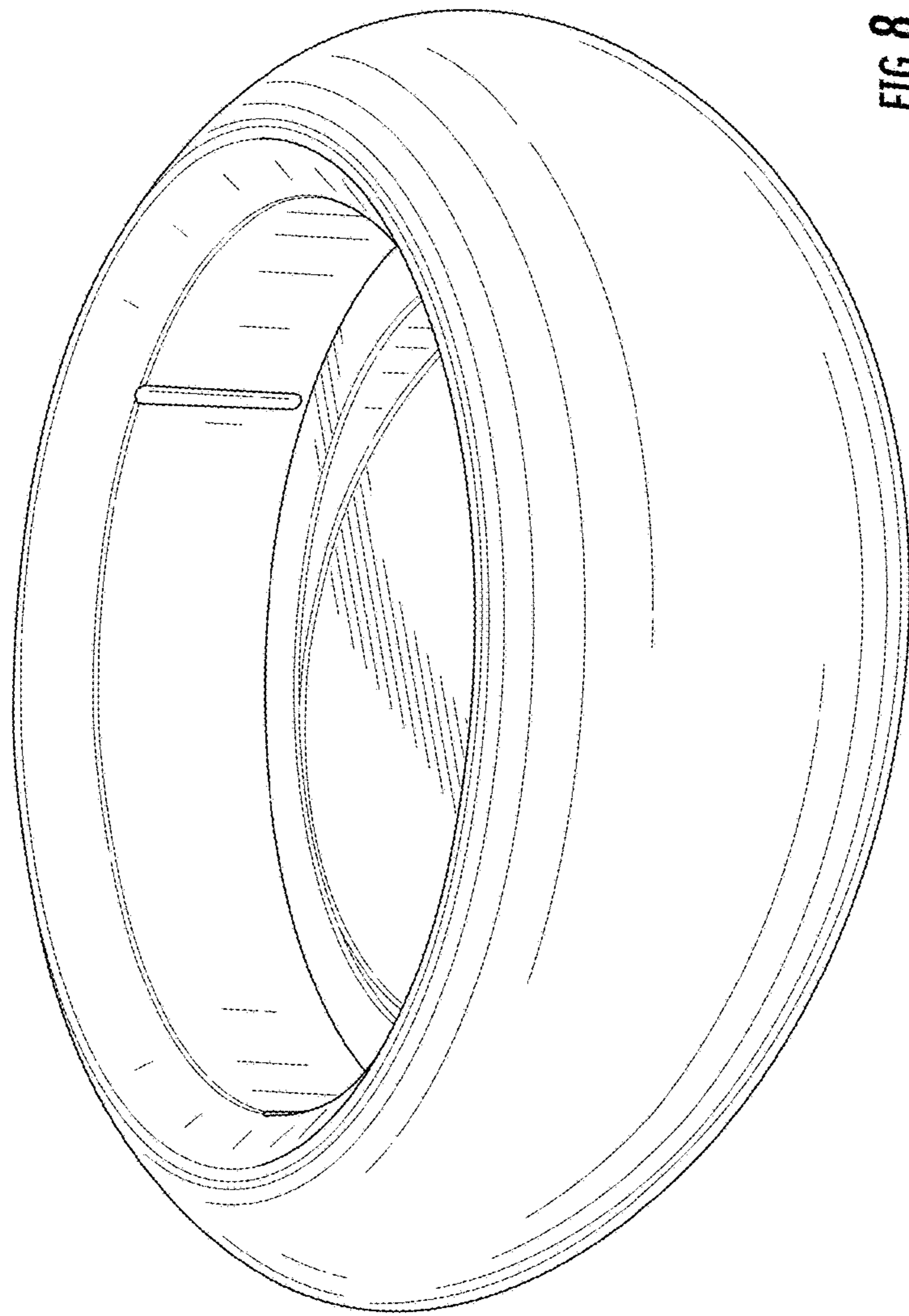


FIG. 8

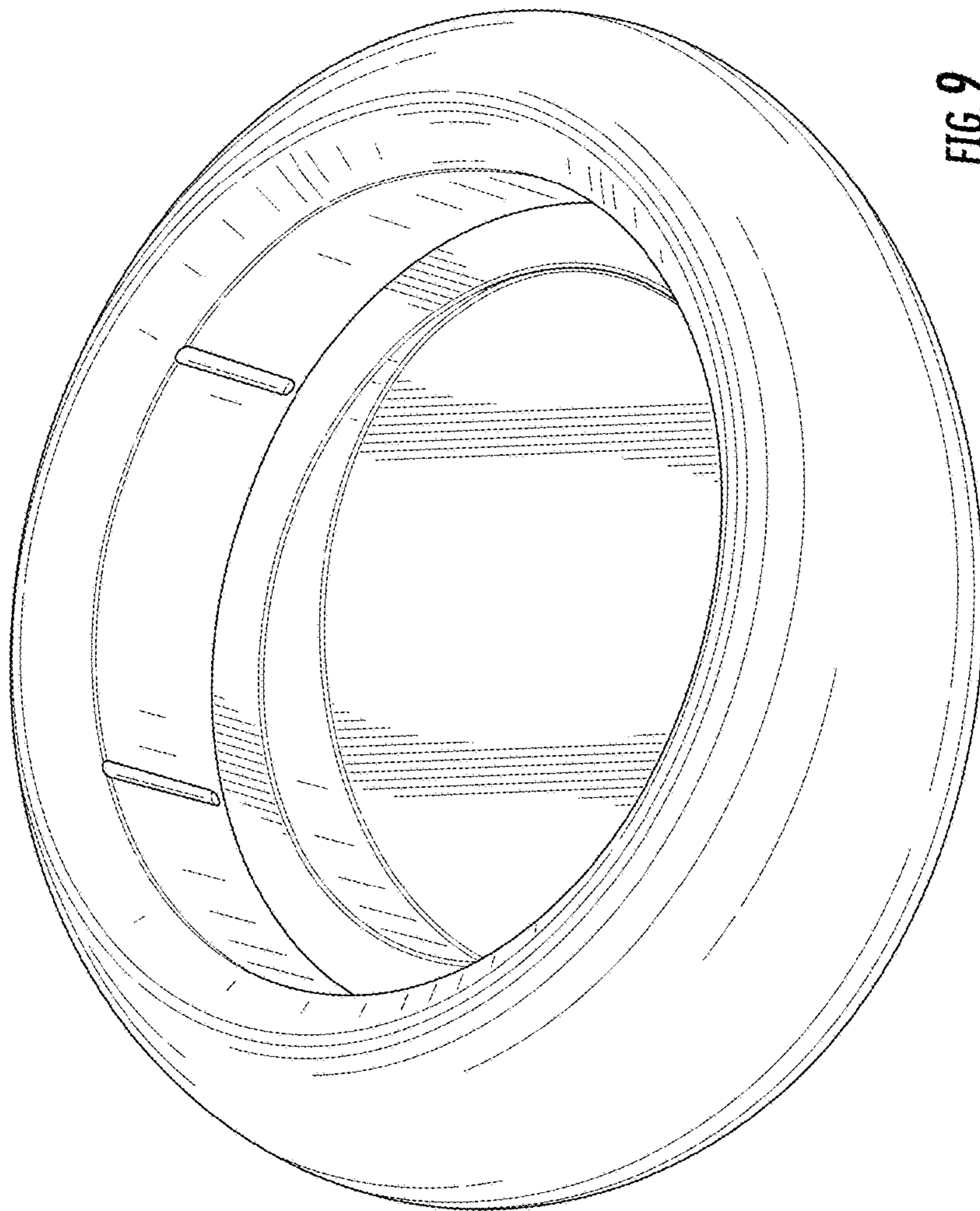


FIG. 9

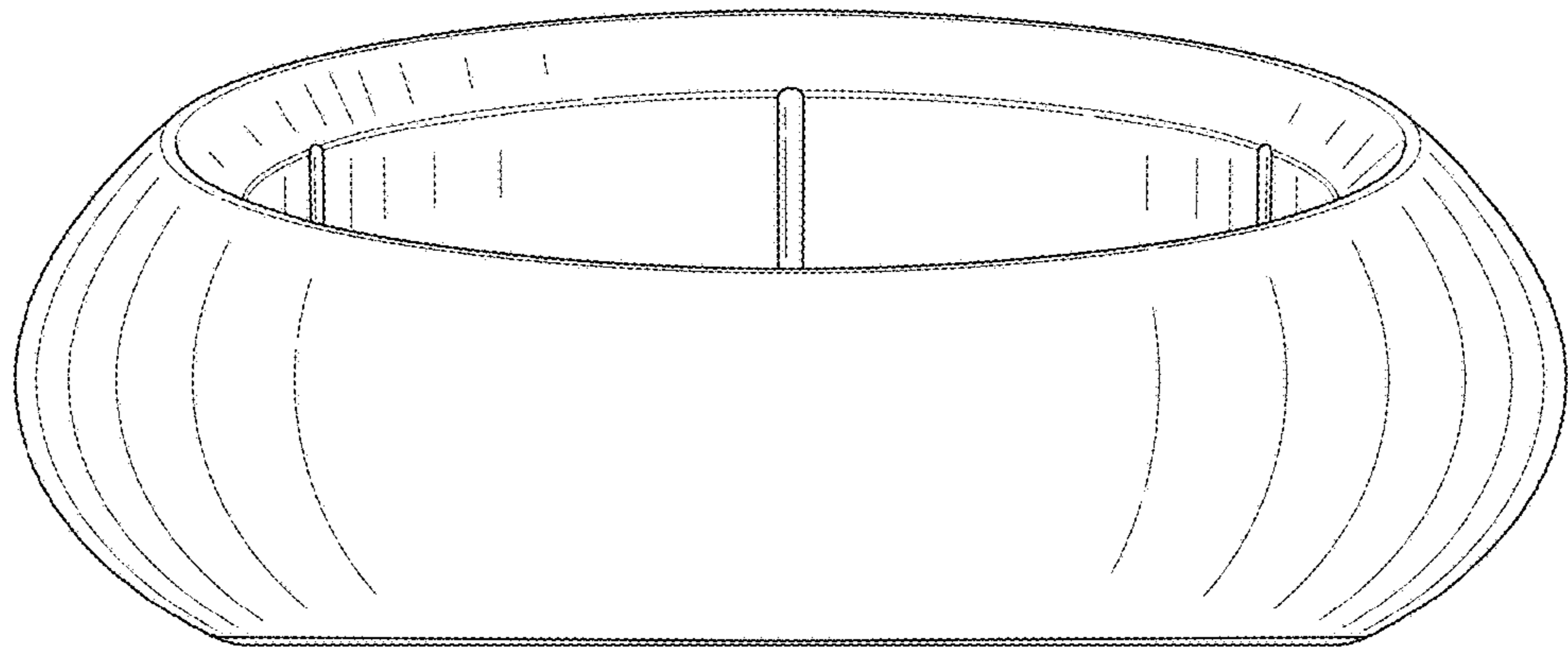


FIG. 10

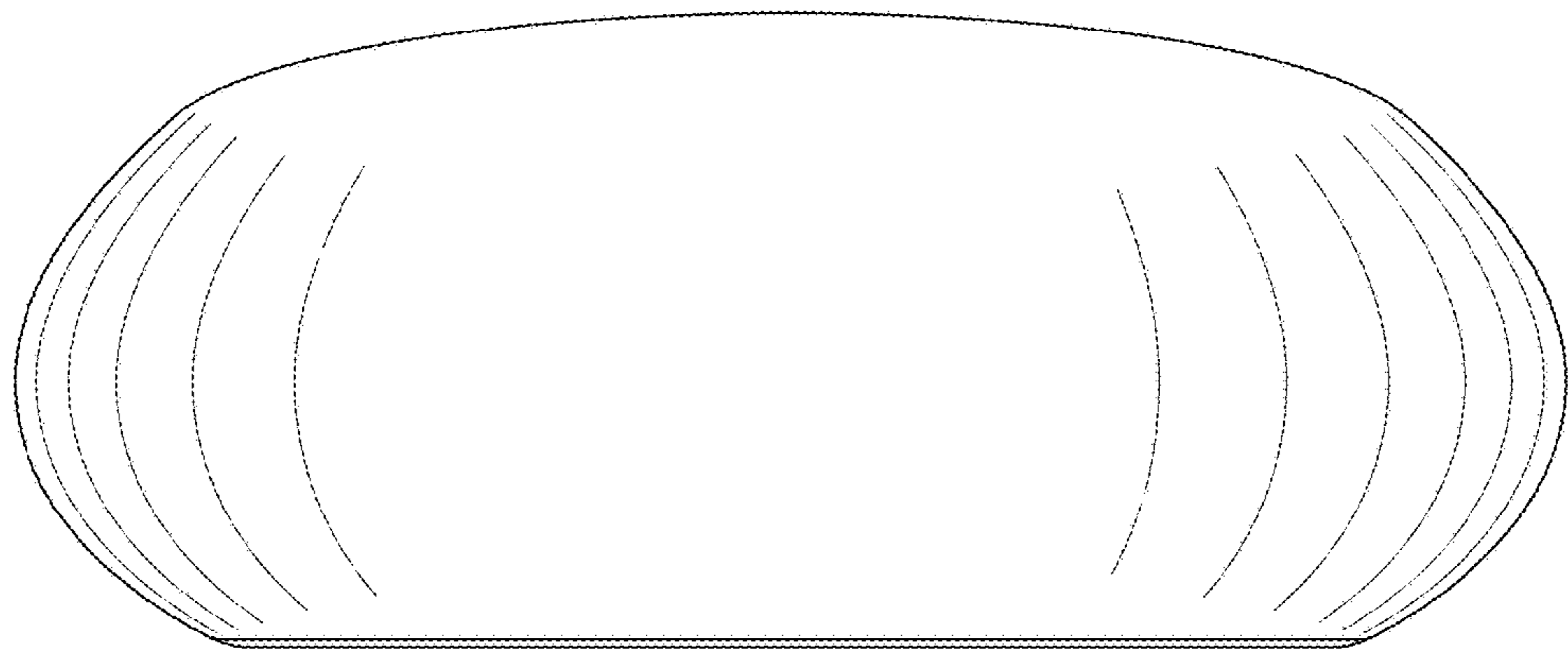


FIG. 11

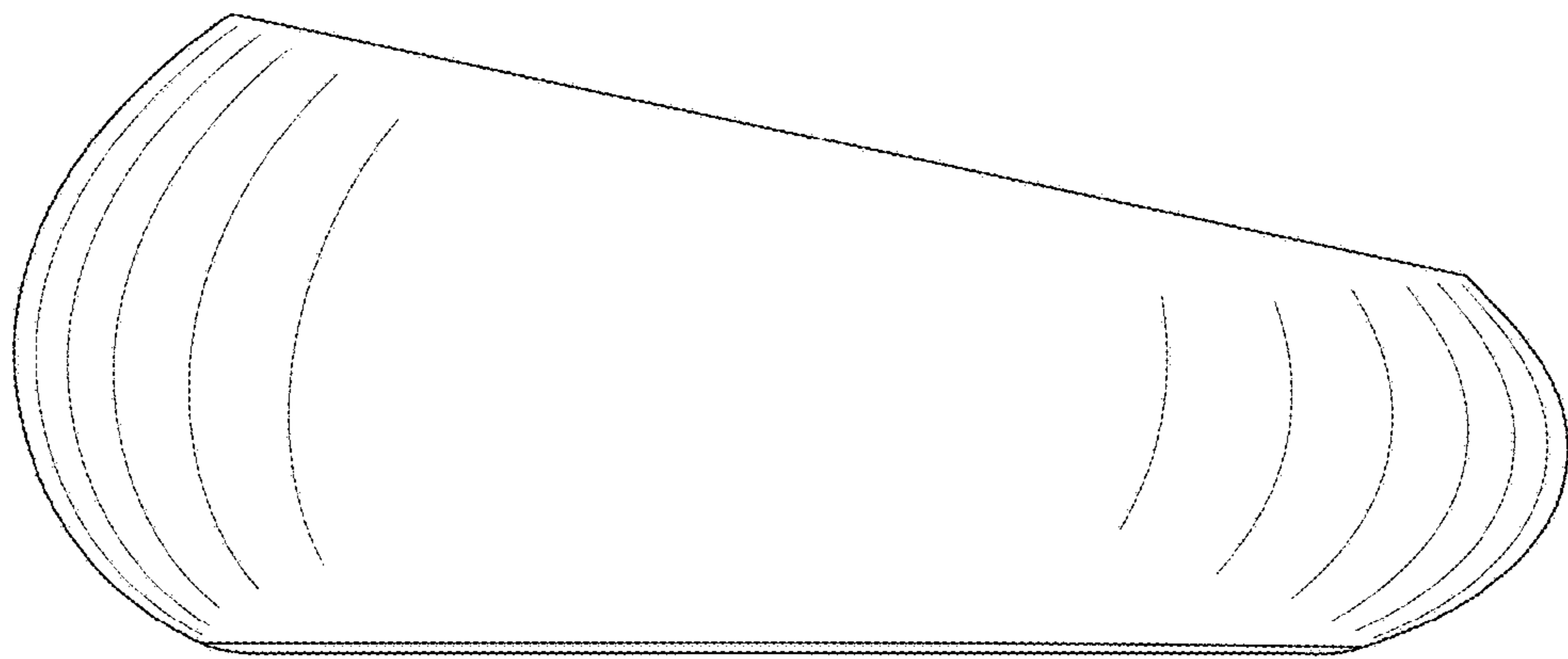


FIG. 12

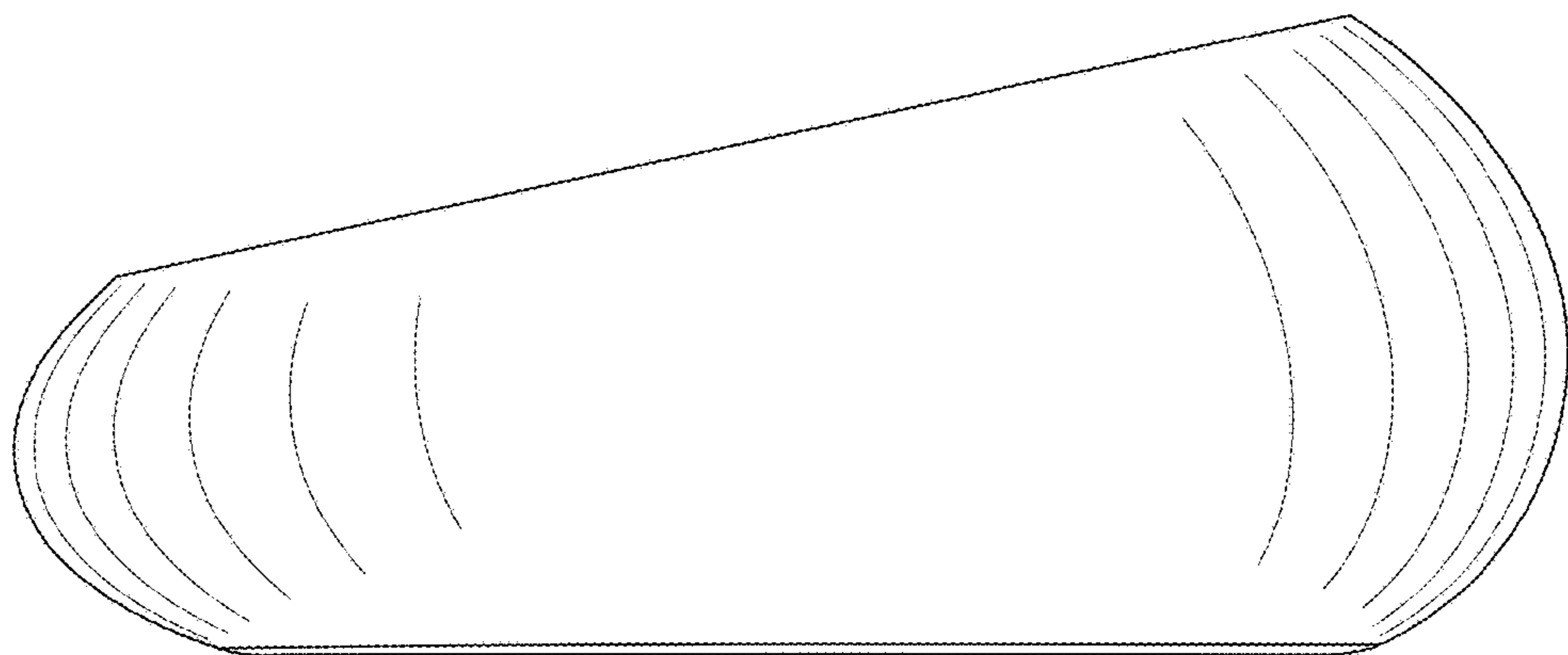


FIG. 13

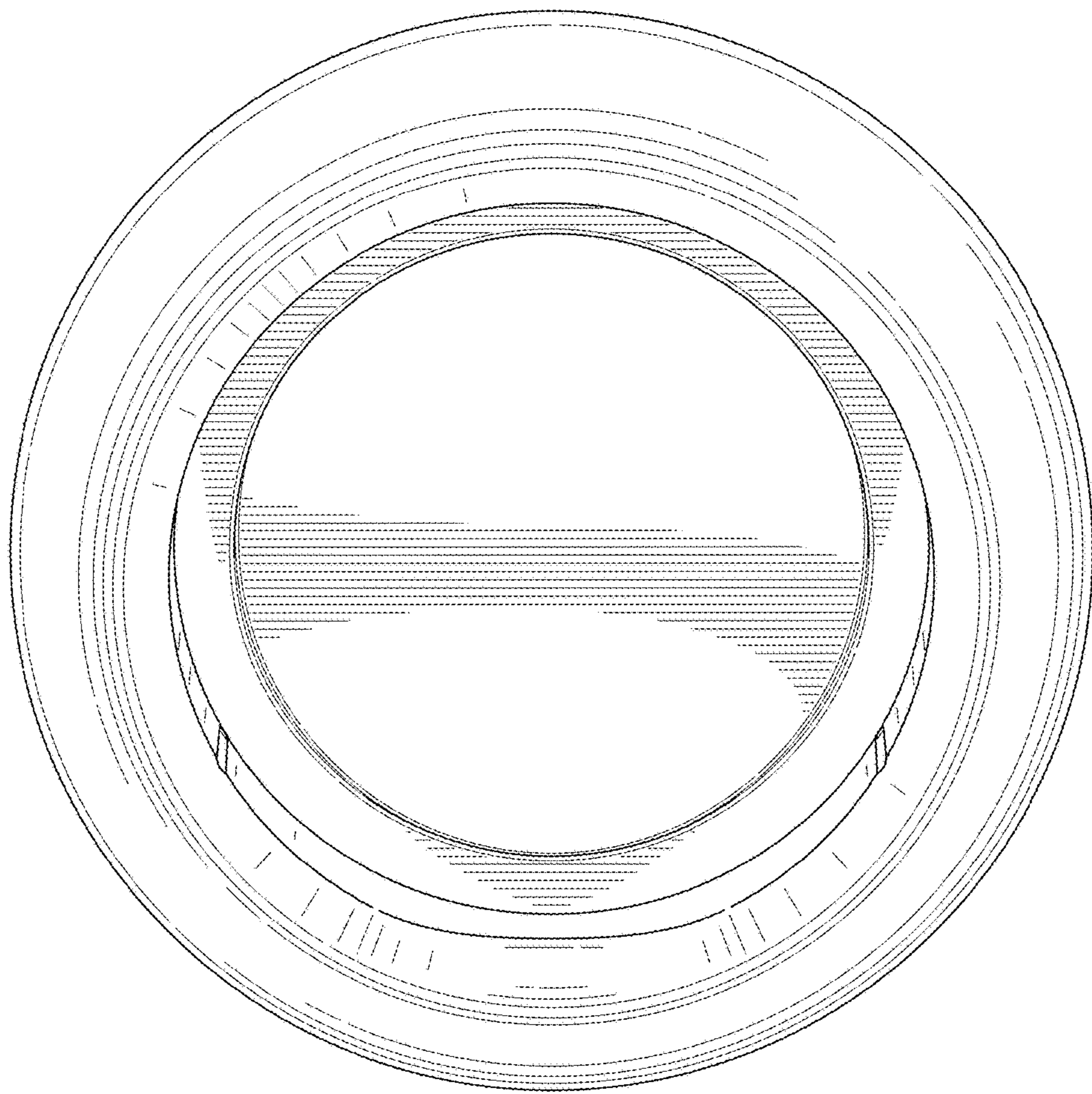


FIG. 14

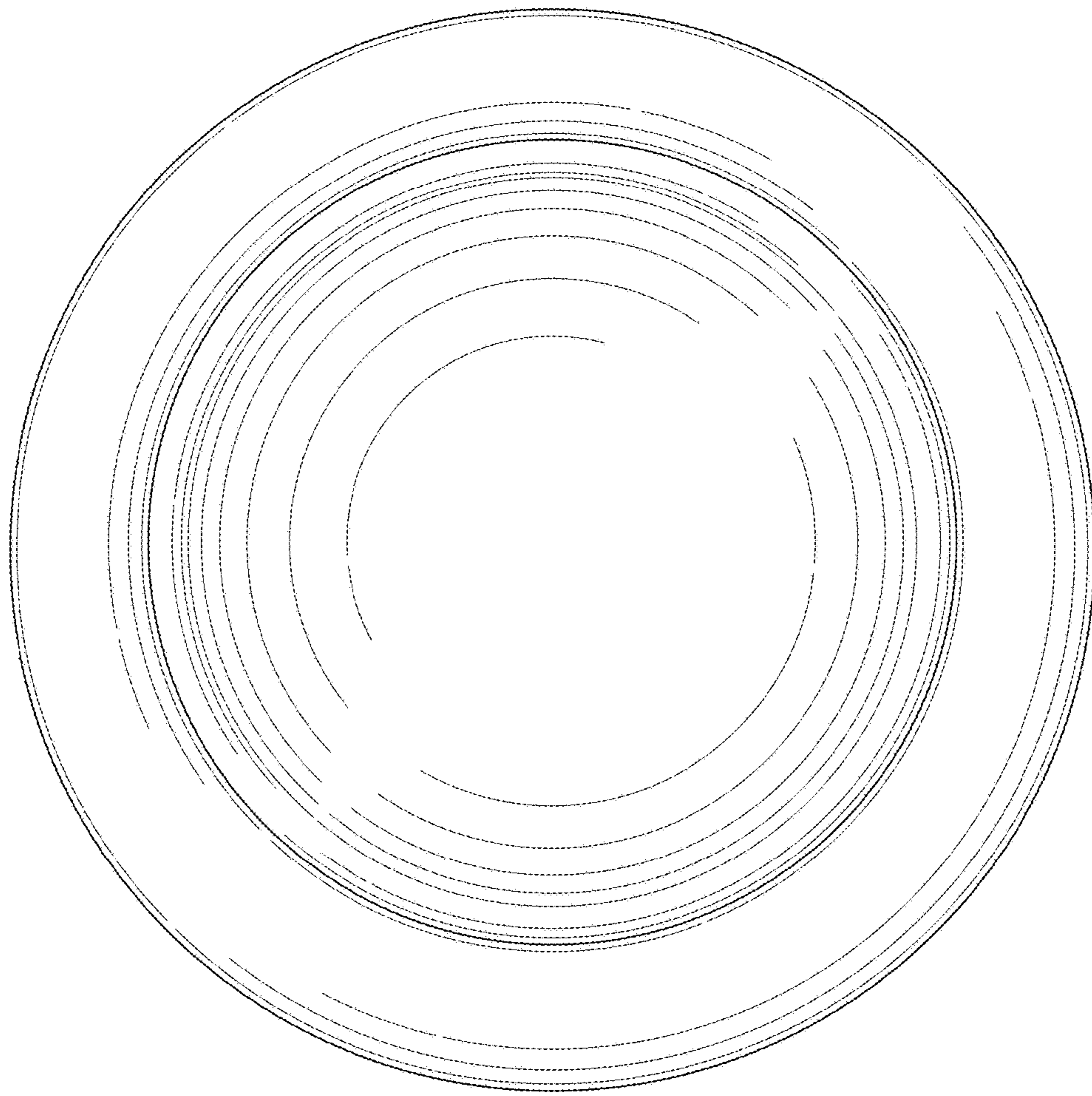


FIG. 15

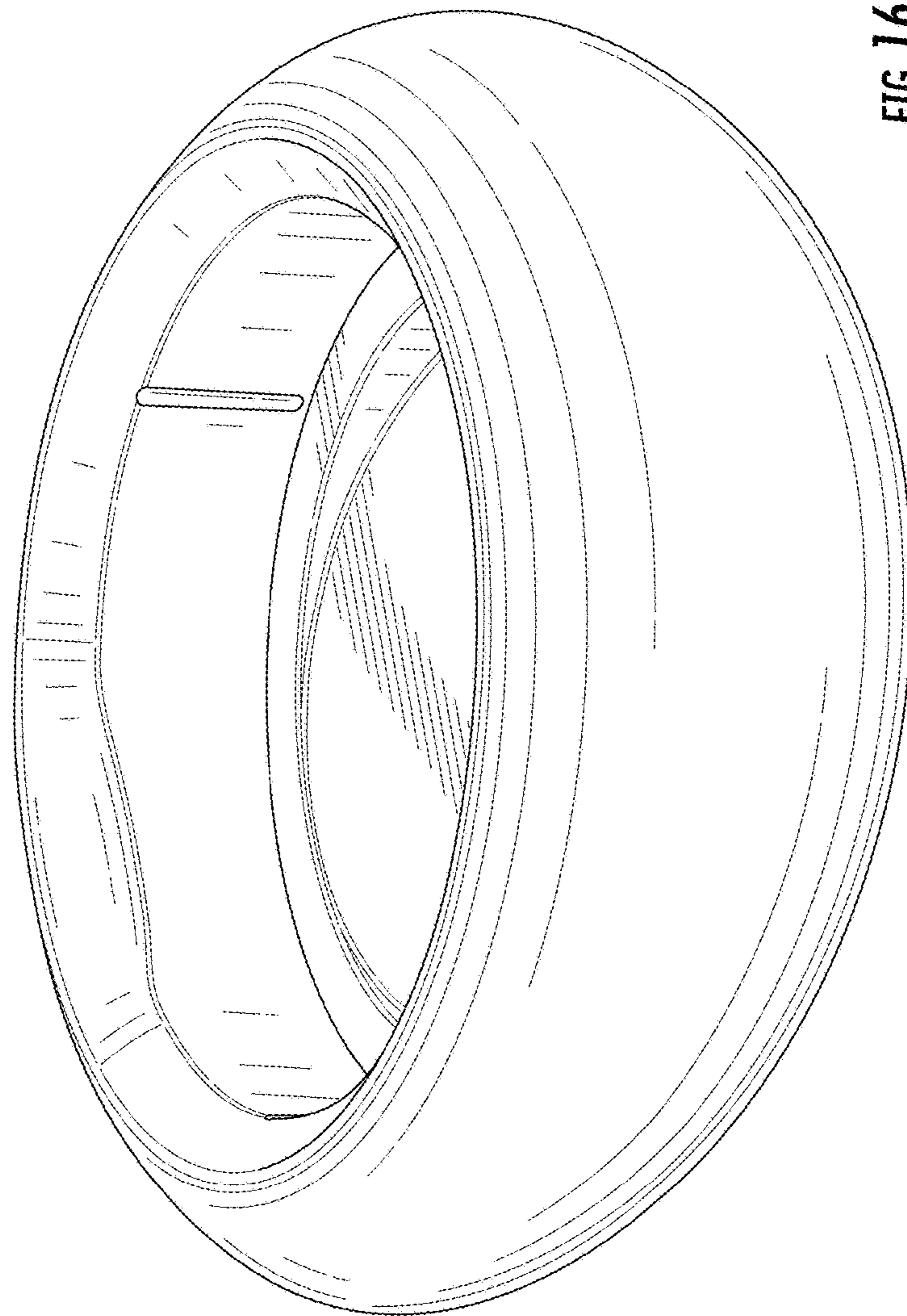


FIG. 16