



US00D856286S

(12) **United States Design Patent**
Zhuang et al.

(10) **Patent No.:** **US D856,286 S**
(45) **Date of Patent:** **** Aug. 13, 2019**

(54) **TRANSFER SWITCH**

(71) Applicant: **ABB Oy**, Helsinki (FI)
(72) Inventors: **Niangshe Zhuang**, Jiangmen (CN);
Wensheng Liu, Jiangmen (CN);
Xianghui Pei, Jiangmen (CN)
(73) Assignee: **ABB Schweiz AG**, Baden (CH)
(**) Term: **15 Years**
(21) Appl. No.: **29/645,292**

(22) Filed: **Apr. 25, 2018**

(30) **Foreign Application Priority Data**

Nov. 10, 2017 (CN) 2017 3 0554204

(51) **LOC (12) Cl.** **13-03**

(52) **U.S. Cl.**
USPC **D13/158**

(58) **Field of Classification Search**
USPC D13/123, 133, 146, 147, 153, 154,
D13/158-161, 173, 184, 199
CPC .. H01H 3/38; H01H 3/40; H01H 9/00; H01H
9/02; H01H 9/20; H01H 9/26; H01H
9/28; H01H 19/14; H01H 71/10; H01H
83/00; H01R 13/44; H02B 11/00; H02J
9/06

See application file for complete search history.

(56) **References Cited**

U.S. PATENT DOCUMENTS

6,445,559 B1 * 9/2002 Phillips H02B 11/127
361/115
D571,303 S * 6/2008 Jokiniemi D13/158

(Continued)

FOREIGN PATENT DOCUMENTS

CN 104701970 * 6/2010 H02J 9/06
CN 104733256 * 7/2016 H01H 71/10
EM 001215420-0001 6/2010

OTHER PUBLICATIONS

SQ3W-63 Automatic Transfer Switch, dated Aug. 31, 2016, [online],
[site visited Mar. 13, 2019]. Available from Internet, <URL: <http://www.chinasuntree.com/automatic-transfer-switches/sq3w-63-automatic-transfer-switch.htm>> (Year: 2016).*

(Continued)

Primary Examiner — Angela J Lee

Assistant Examiner — Shawn T Gingrich

(74) *Attorney, Agent, or Firm* — Taft Stettinius &
Hollister LLP; J. Bruce Schelkopf

(57) **CLAIM**

The ornamental design for a transfer switch, as shown and described.

DESCRIPTION

FIG. 1 illustrates a left side front perspective view of a transfer switch.

FIG. 2 illustrates a right side front perspective view of the transfer switch shown in FIG. 1.

FIG. 3 illustrates a front side view of the transfer switch shown in FIG. 1.

FIG. 4 illustrates a back side view of the transfer switch shown in FIG. 1.

FIG. 5 illustrates a left side view of the transfer switch shown in FIG. 1.

FIG. 6 illustrates a right side view of the transfer switch shown in FIG. 1.

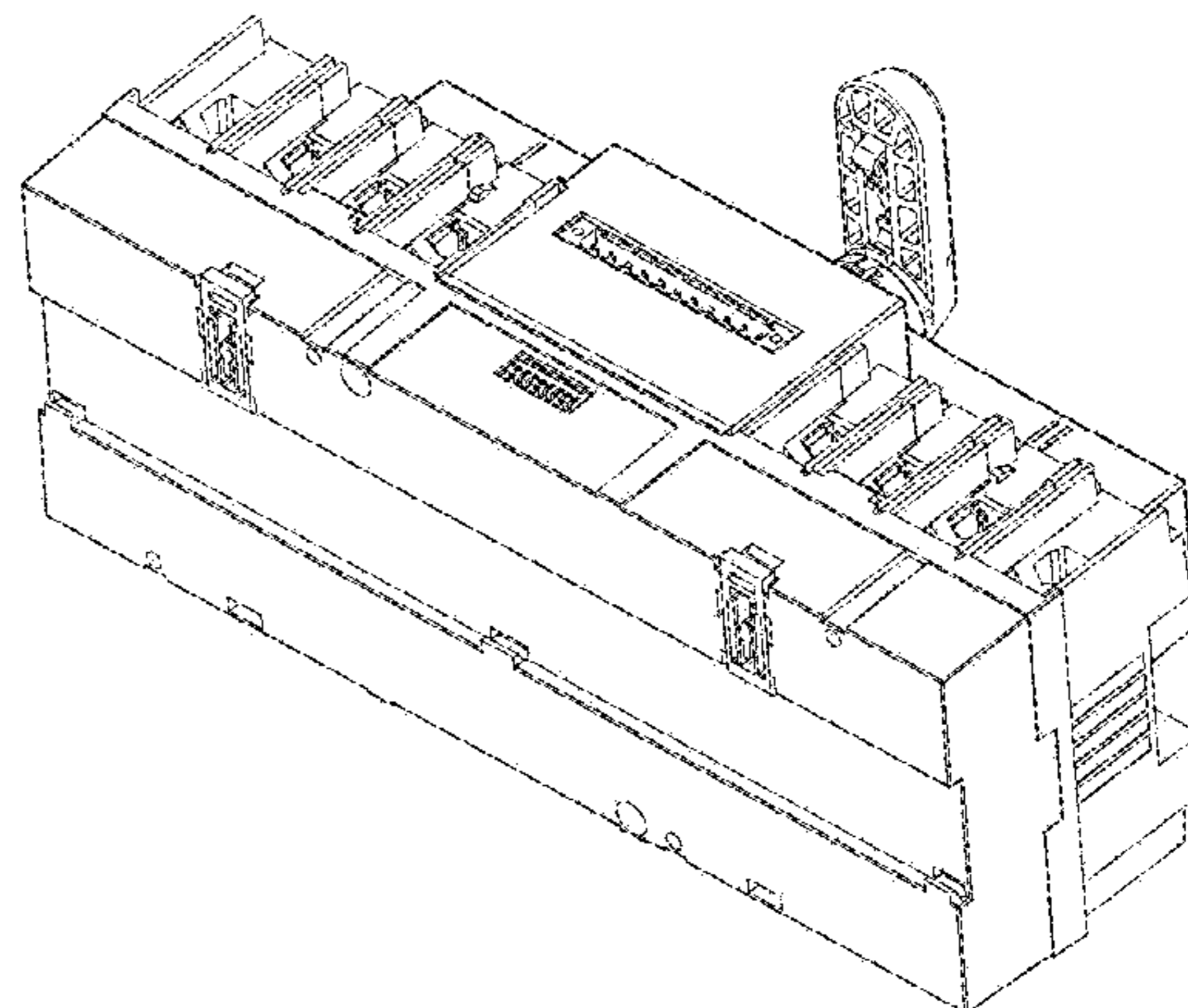
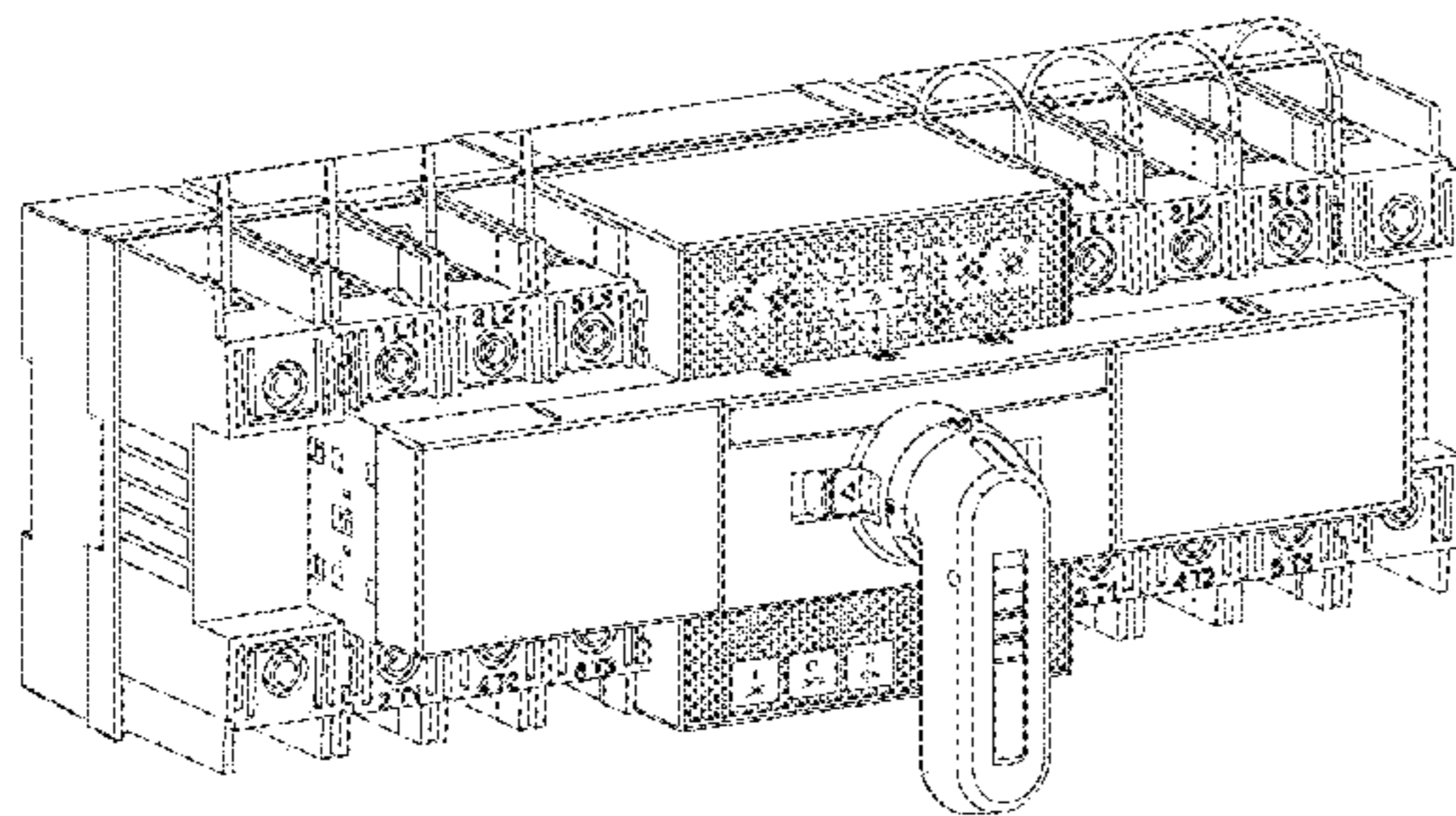
FIG. 7 illustrates a top side view of the transfer switch shown in FIG. 1.

FIG. 8 illustrates a bottom side view of the transfer switch shown in FIG. 1.

FIG. 9 illustrates right side bottom perspective view of the transfer switch shown in FIG. 1; and,

FIG. 10 illustrates a back side bottom perspective view of the transfer switch shown in FIG. 1.

1 Claim, 9 Drawing Sheets



(56)

References Cited

U.S. PATENT DOCUMENTS

D606,026 S * 12/2009 Azzola D13/160
D643,373 S * 8/2011 Jokiniemi D13/158
D655,250 S * 3/2012 Jokiniemi D13/158
D658,134 S * 4/2012 Jokiniemi D13/158
D659,105 S * 5/2012 Azzola D13/160
D695,229 S * 12/2013 Ran D13/158
D695,230 S * 12/2013 Zhang D13/158
D740,235 S * 10/2015 Andersson D13/158
2018/0082807 A1 * 3/2018 Wu H01H 3/40

OTHER PUBLICATIONS

The Federal Service for Intellectual Property (RUPTO), Decision of grant of patent for industrial design issued in corresponding Russian design application No. 2018502019/49, issued Nov. 20, 2018, 8 pp.

* cited by examiner

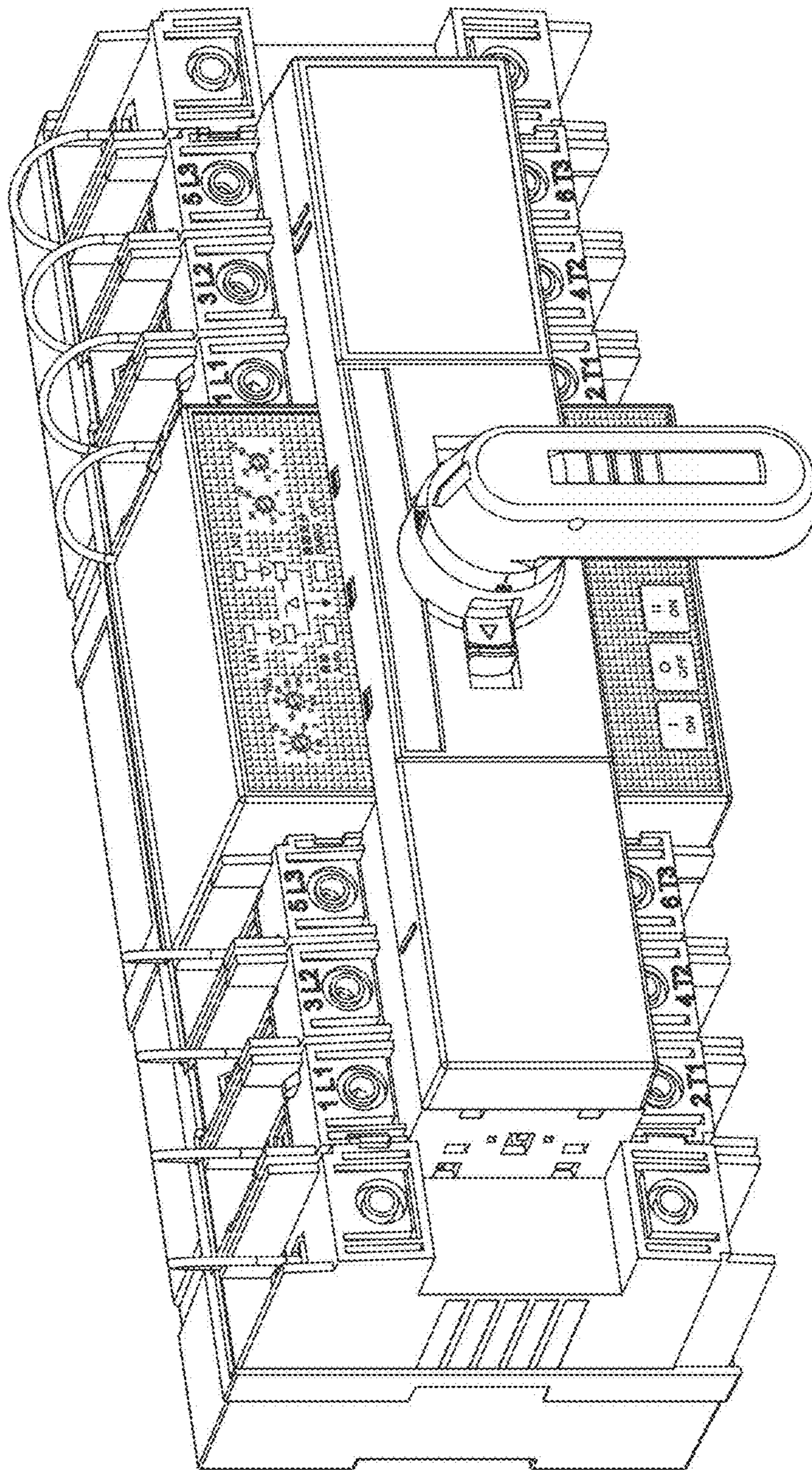


FIGURE 1

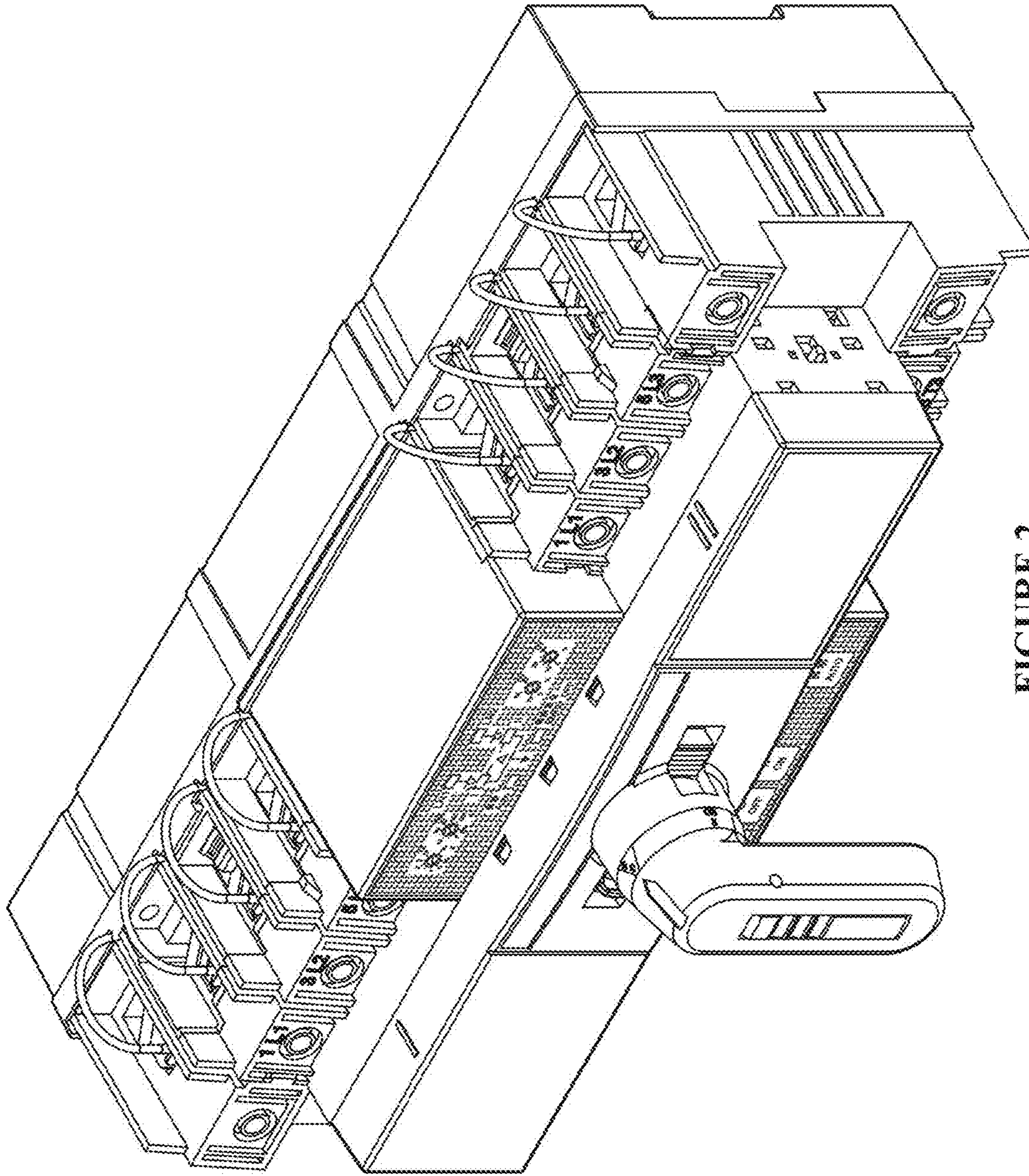


FIGURE 2

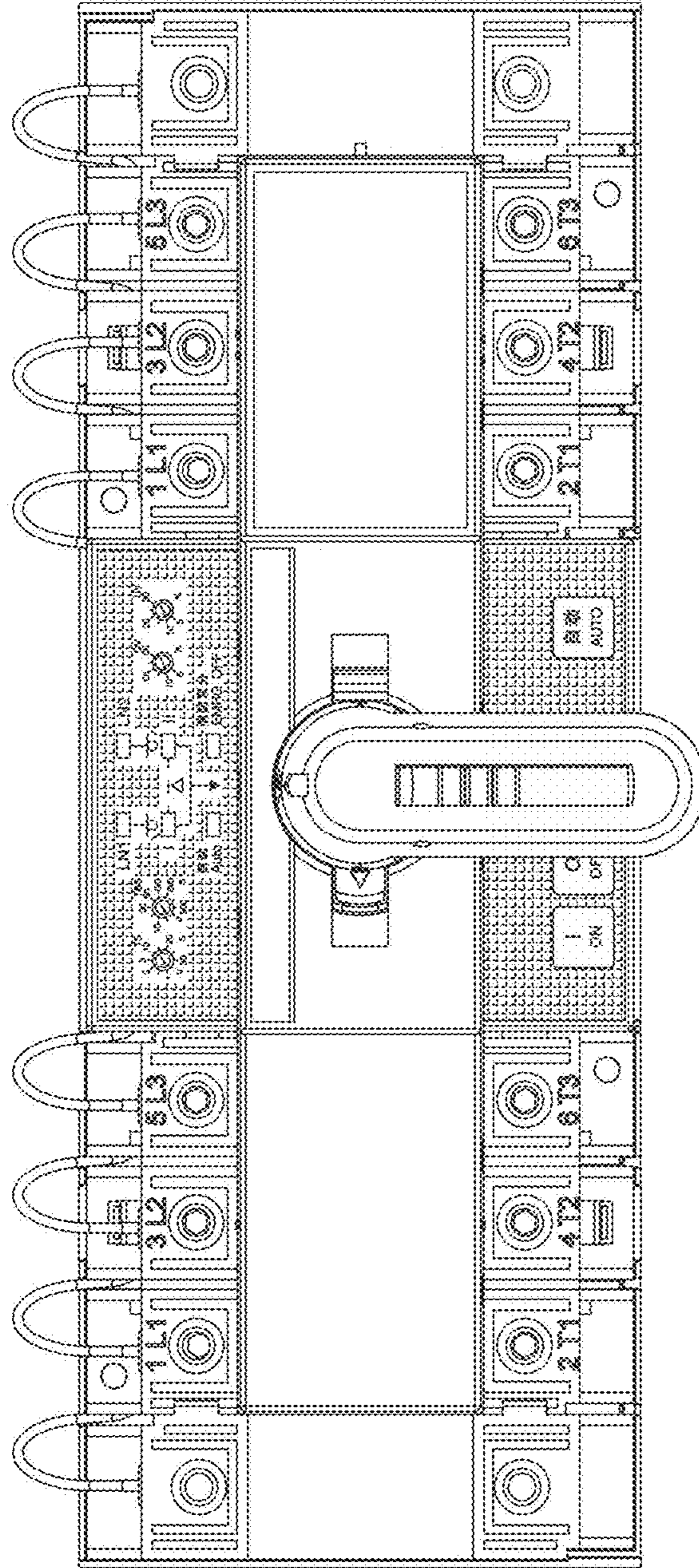


FIGURE 3

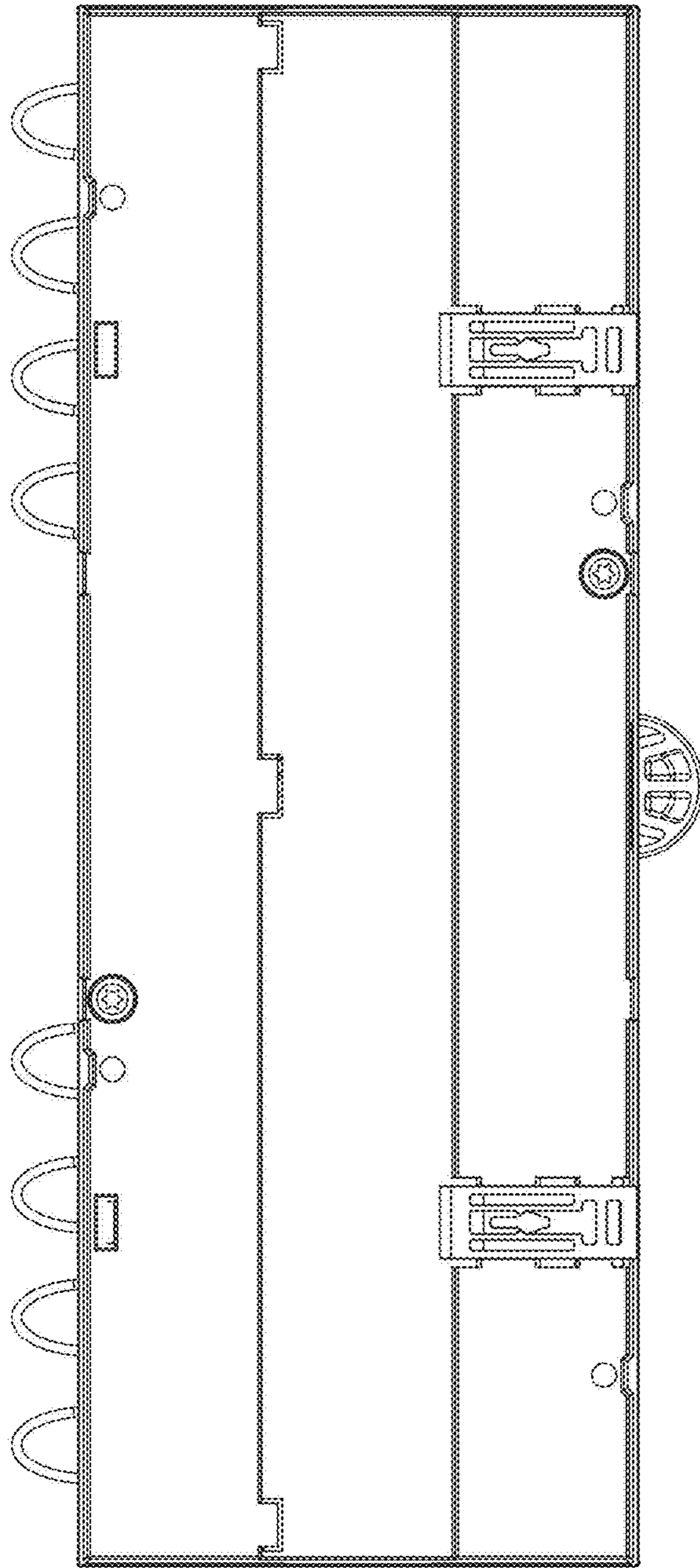


FIGURE 4

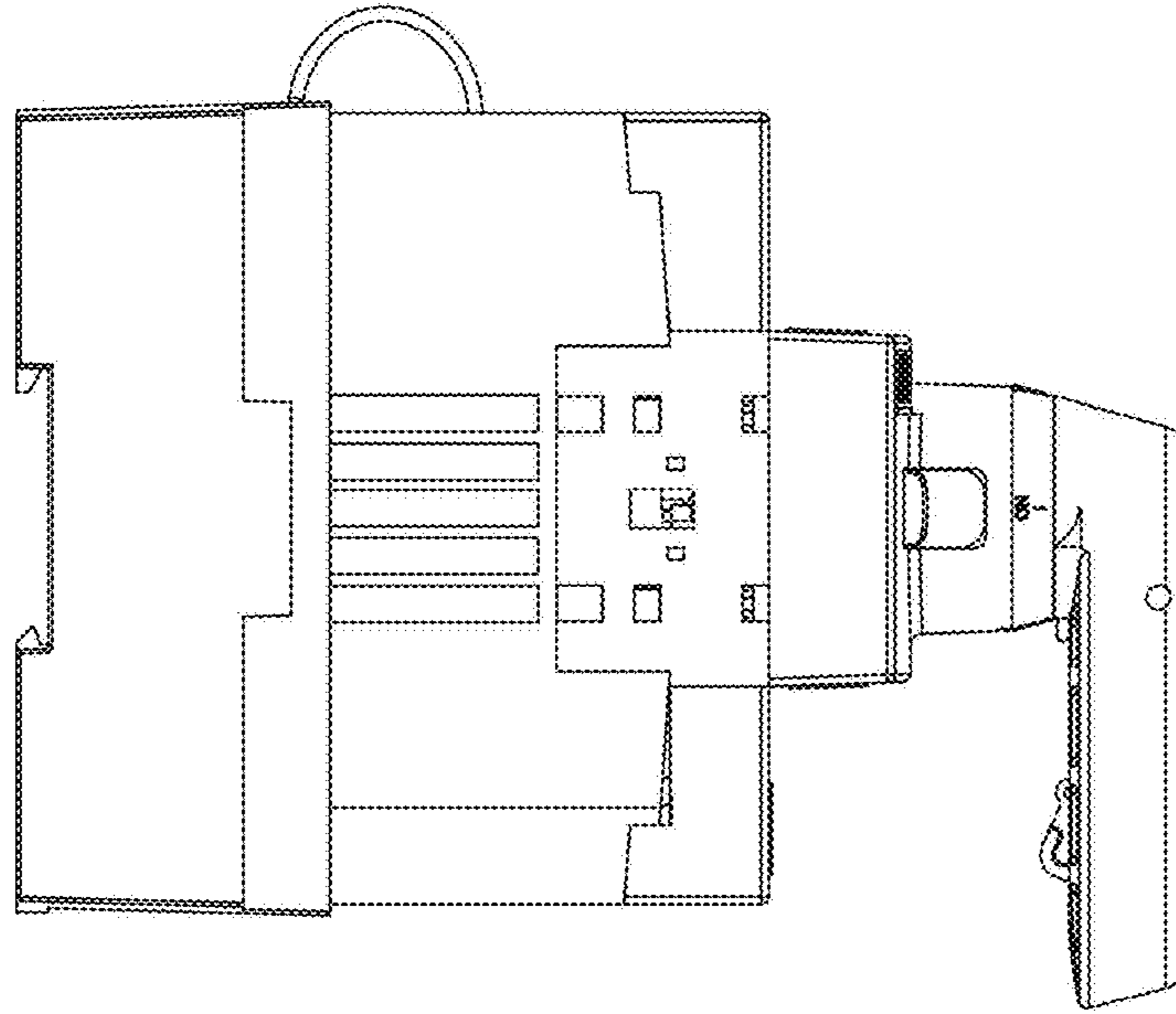


FIGURE 5

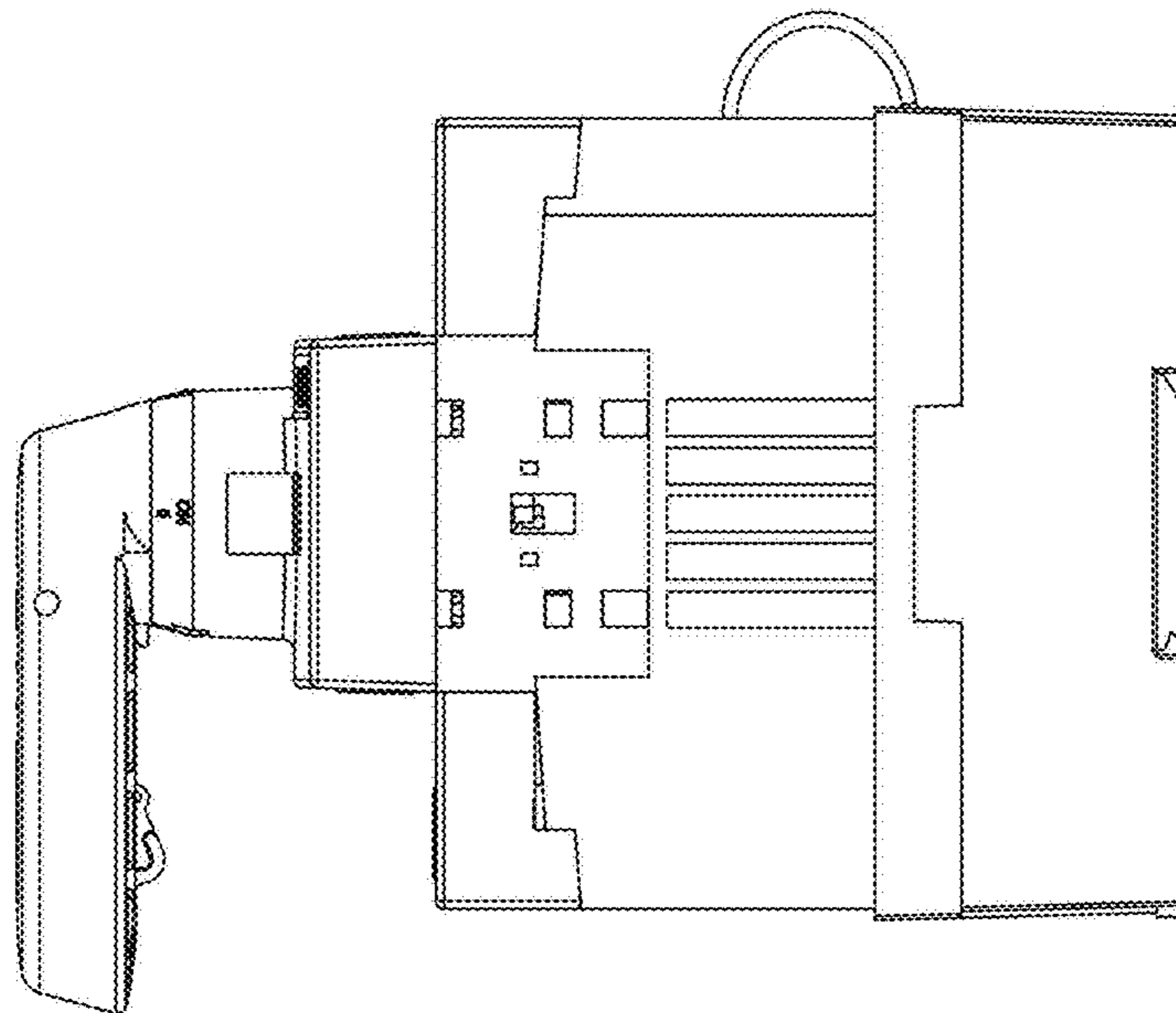


FIGURE 6

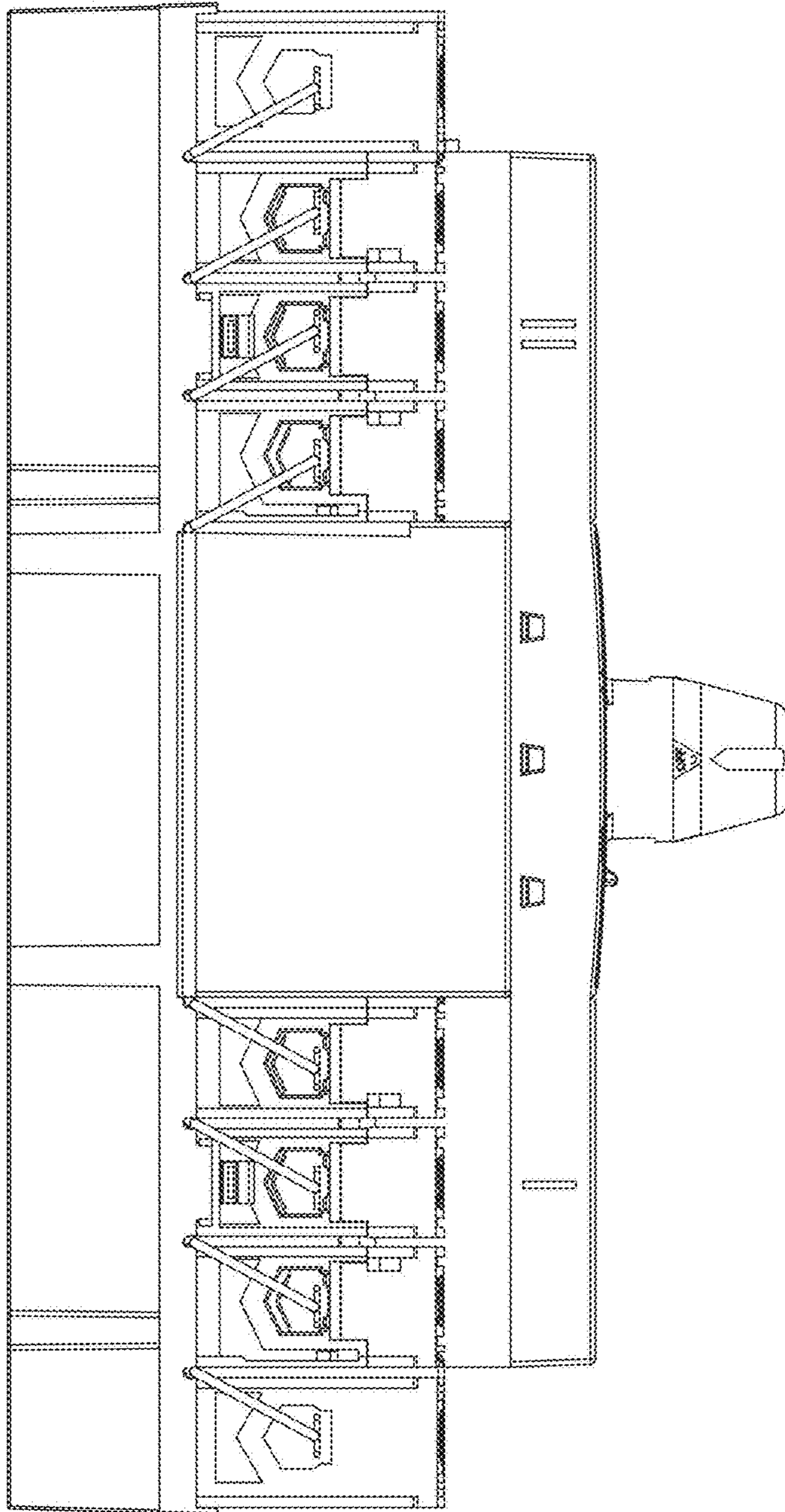


FIGURE 7

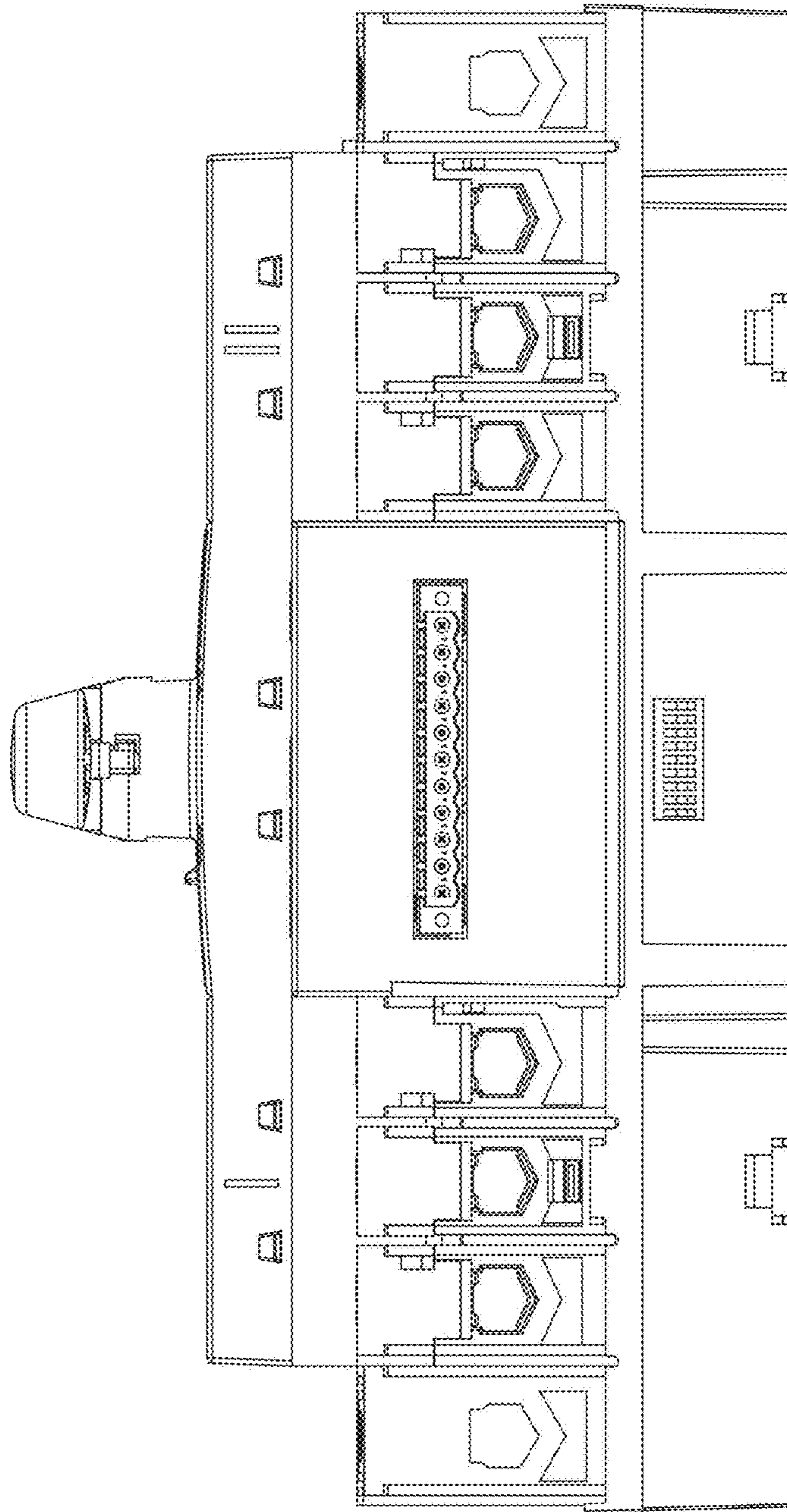


FIGURE 8

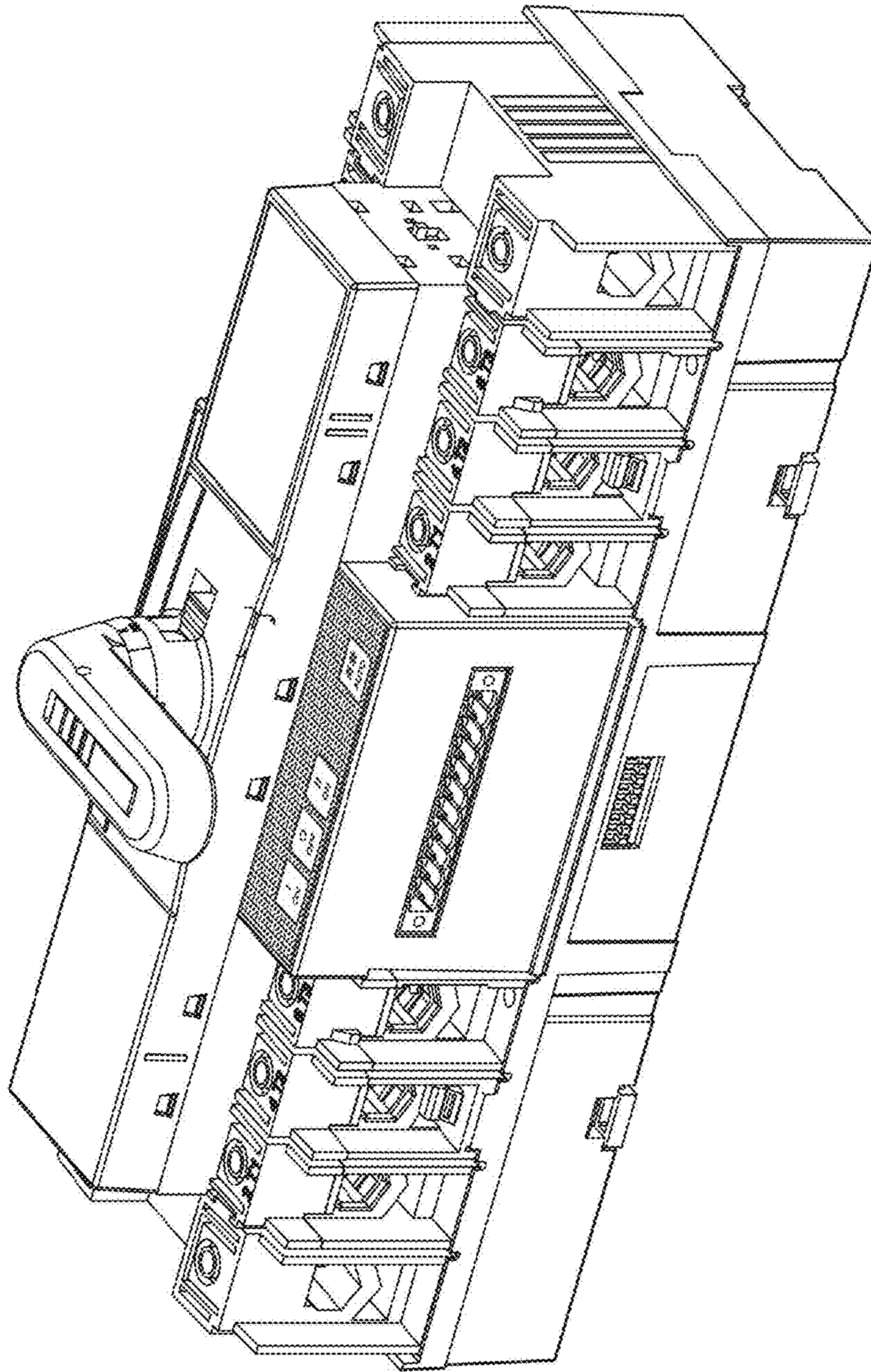


FIGURE 9

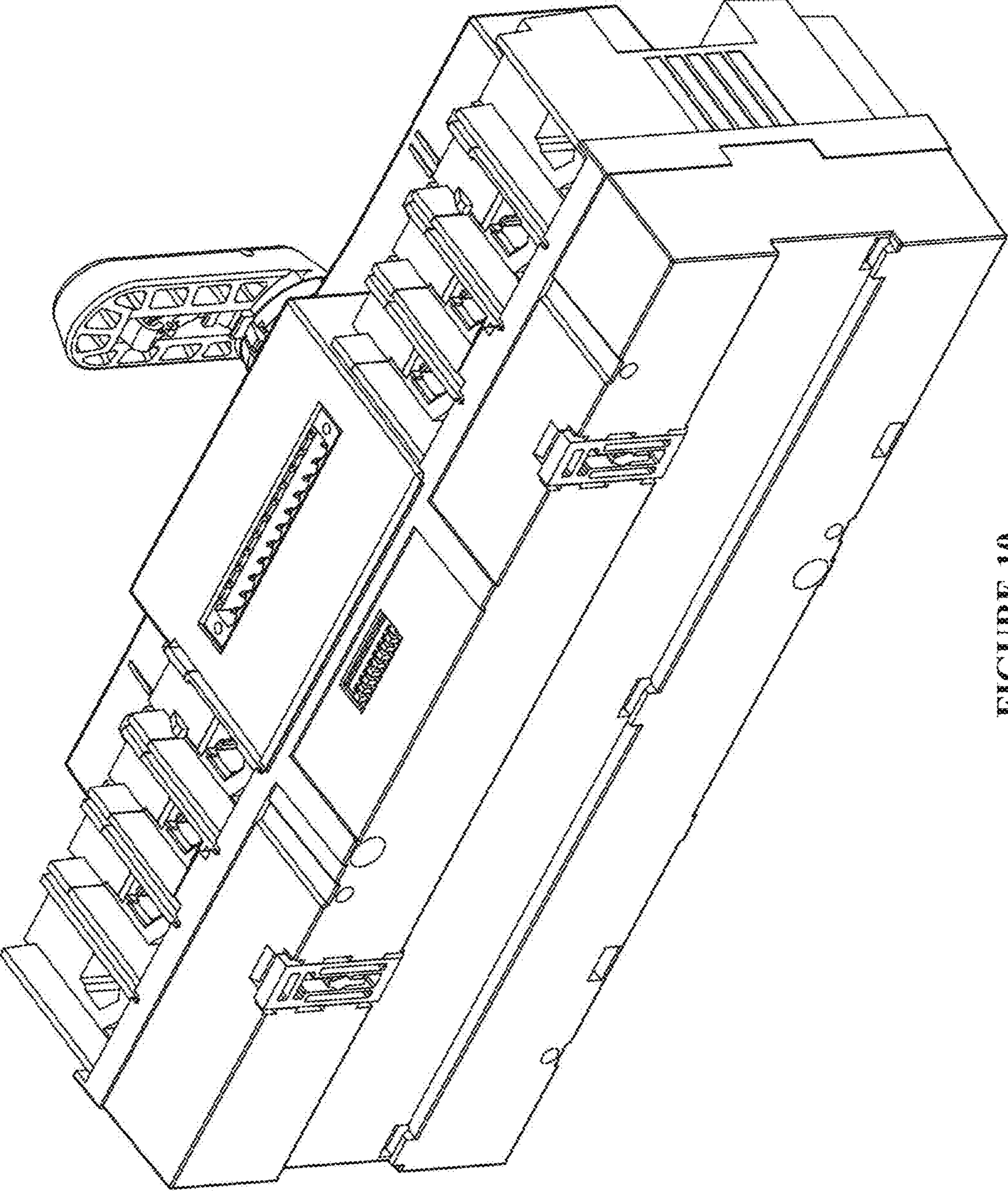


FIGURE 10