



US00D856285S

(12) **United States Design Patent**  
**Szymura et al.**

(10) **Patent No.:** **US D856,285 S**  
(45) **Date of Patent:** **\*\* Aug. 13, 2019**

(54) **ELECTRICAL CONNECTOR**

(71) Applicant: **Amphenol Tuchel Electronics GmbH**,  
Heilbronn (DE)

(72) Inventors: **Dawid Szymura**, Heilbronn (DE);  
**Hansjuergen Reinwald**, Heilbronn (DE)

(73) Assignee: **Amphenol-Tuchel Electronics GmbH**,  
Heilbronn (DE)

(\*\*) Term: **15 Years**

(21) Appl. No.: **29/615,781**

(22) Filed: **Aug. 31, 2017**

(30) **Foreign Application Priority Data**

Mar. 2, 2017 (EM) ..... 003780055

(51) **LOC (12) Cl.** ..... **13-03**

(52) **U.S. Cl.**  
USPC ..... **D13/147**

(58) **Field of Classification Search**

USPC ..... D13/101, 103, 110, 112, 117, 118, 120,  
D13/123, 129-133, 145-147, 149, 151,  
D13/153-155, 173, 183, 199  
CPC ..... H01R 12/00; H01R 12/51; H01R 12/70;  
H01R 12/72; H01R 13/24; H01R 13/40;  
H01R 13/405; H01R 13/502; H01R  
13/52; H01R 13/66; H01R 13/627; H01R  
13/639; H01R 13/648; H01R 13/658;  
H01R 24/00; H01R 24/28; H01R 24/62  
See application file for complete search history.

(56) **References Cited**

**U.S. PATENT DOCUMENTS**

4,704,091 A \* 11/1987 Owens ..... H01R 13/465  
439/281  
D300,819 S \* 4/1989 Orbanic ..... D13/147

D449,583 S \* 10/2001 Goto ..... D13/147  
D609,191 S \* 2/2010 Feldvoss ..... D13/154  
D649,119 S \* 11/2011 Huss, Jr. .... D13/147  
D663,693 S \* 7/2012 Smith ..... D13/146  
D678,201 S \* 3/2013 Corona ..... D13/133  
D678,202 S \* 3/2013 Corona ..... D13/133  
10,069,237 B2 \* 9/2018 Lappoehn ..... H01R 13/5025  
D837,737 S \* 1/2019 Li ..... D13/146  
10,177,487 B2 \* 1/2019 Chen ..... H01R 13/6275  
2003/0224660 A1 \* 12/2003 Brooks ..... H01R 13/405  
439/606  
2011/0237138 A1 \* 9/2011 Yamada ..... H01R 13/4226  
439/733.1  
2016/0248199 A1 \* 8/2016 Schrader ..... H01R 13/6273

\* cited by examiner

*Primary Examiner* — Angela J Lee

*Assistant Examiner* — Shawn T Gingrich

(74) *Attorney, Agent, or Firm* — Blank Rome LLP

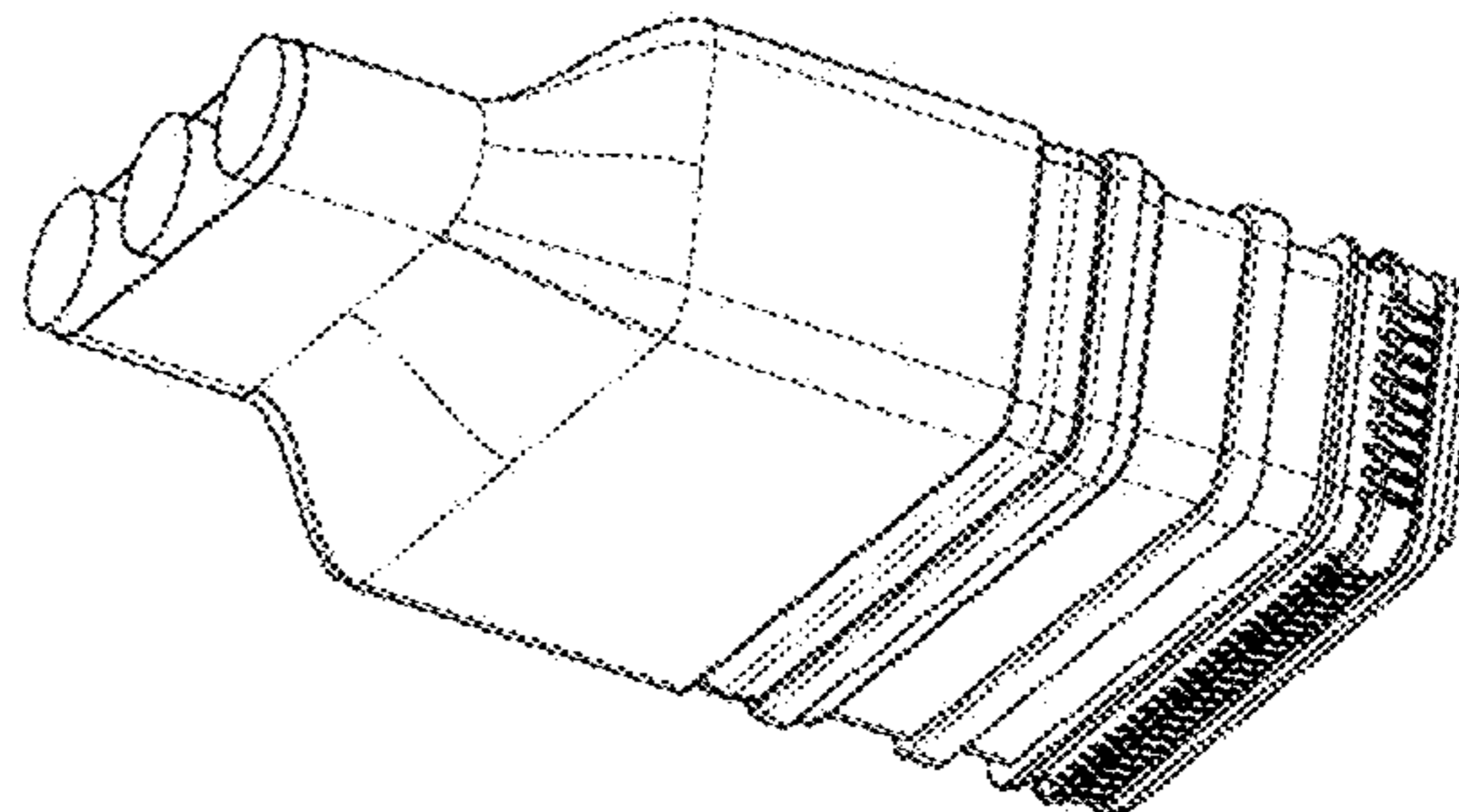
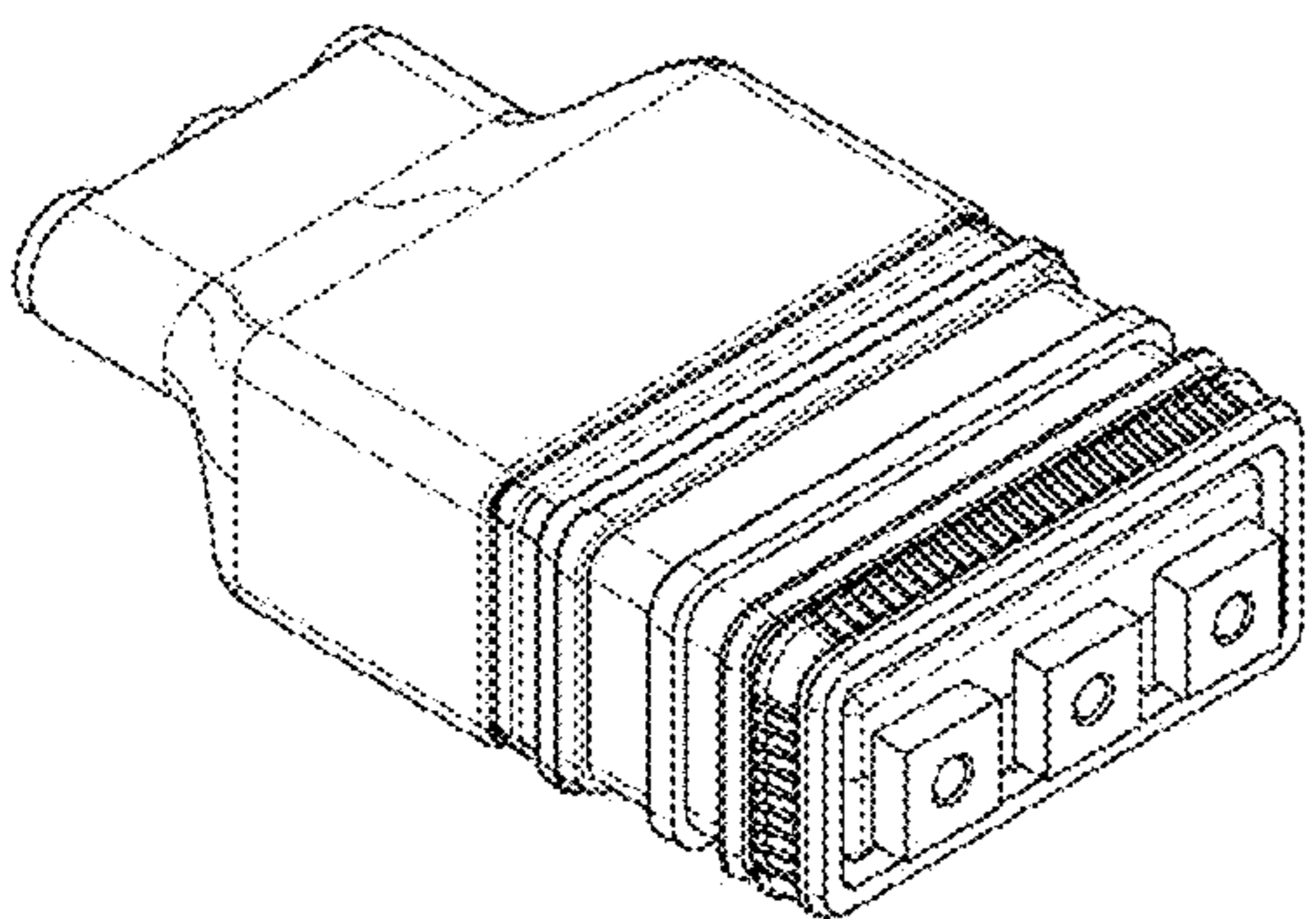
(57) **CLAIM**

The ornamental design for the electrical connector, as shown and described.

**DESCRIPTION**

FIG. 1 is a top front perspective view of an electrical connector in accordance with the present design; FIG. 2 is a bottom rear perspective view of the electrical connector illustrated in FIG. 1; FIG. 3 is a plan view of the electrical connector illustrated in FIG. 1; and, FIG. 4 is a front elevational view of the electrical connector illustrated in FIG. 1. The broken lines in the figures show elements of the article that form no part of the claimed design.

**1 Claim, 2 Drawing Sheets**



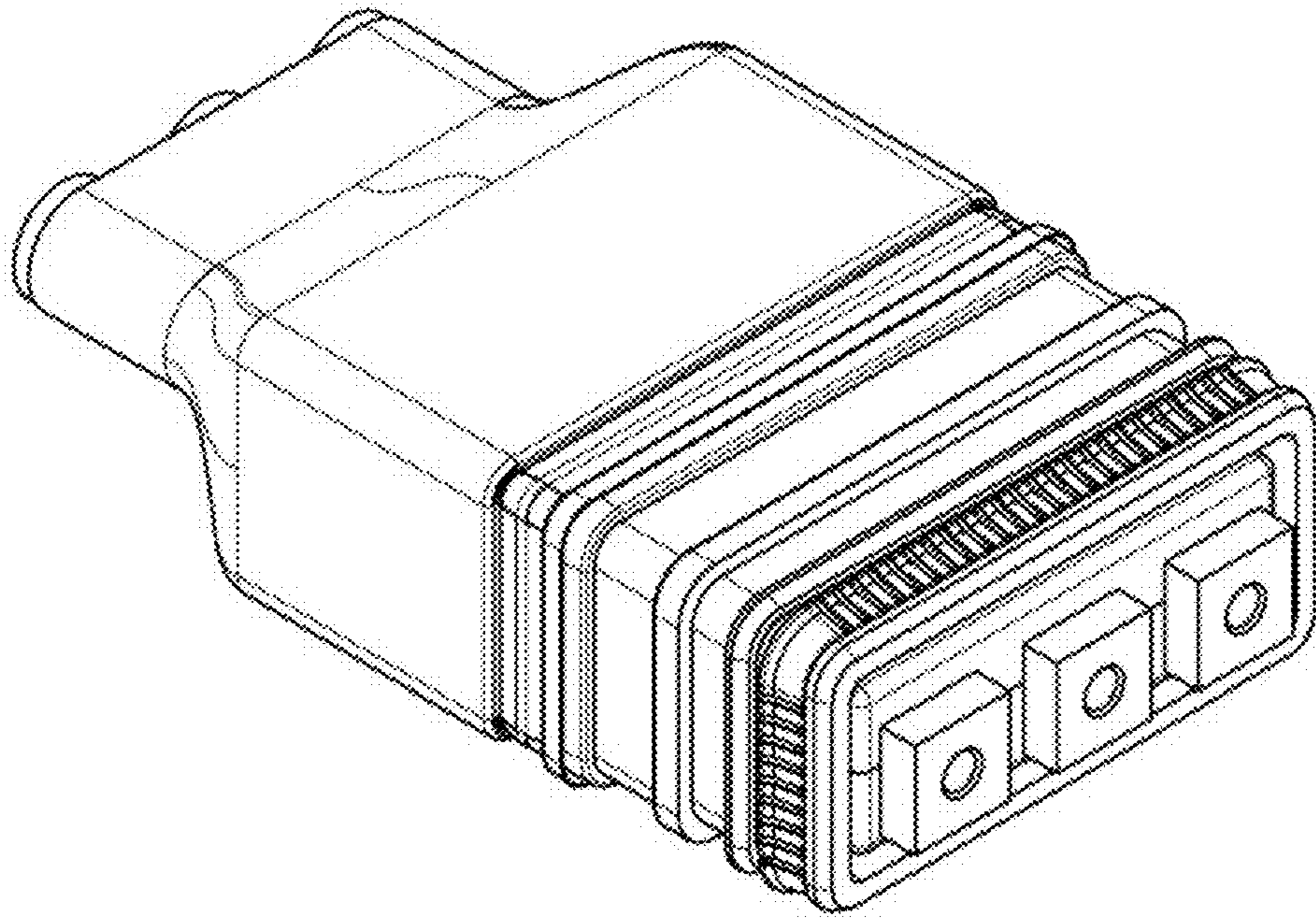


FIG. 1

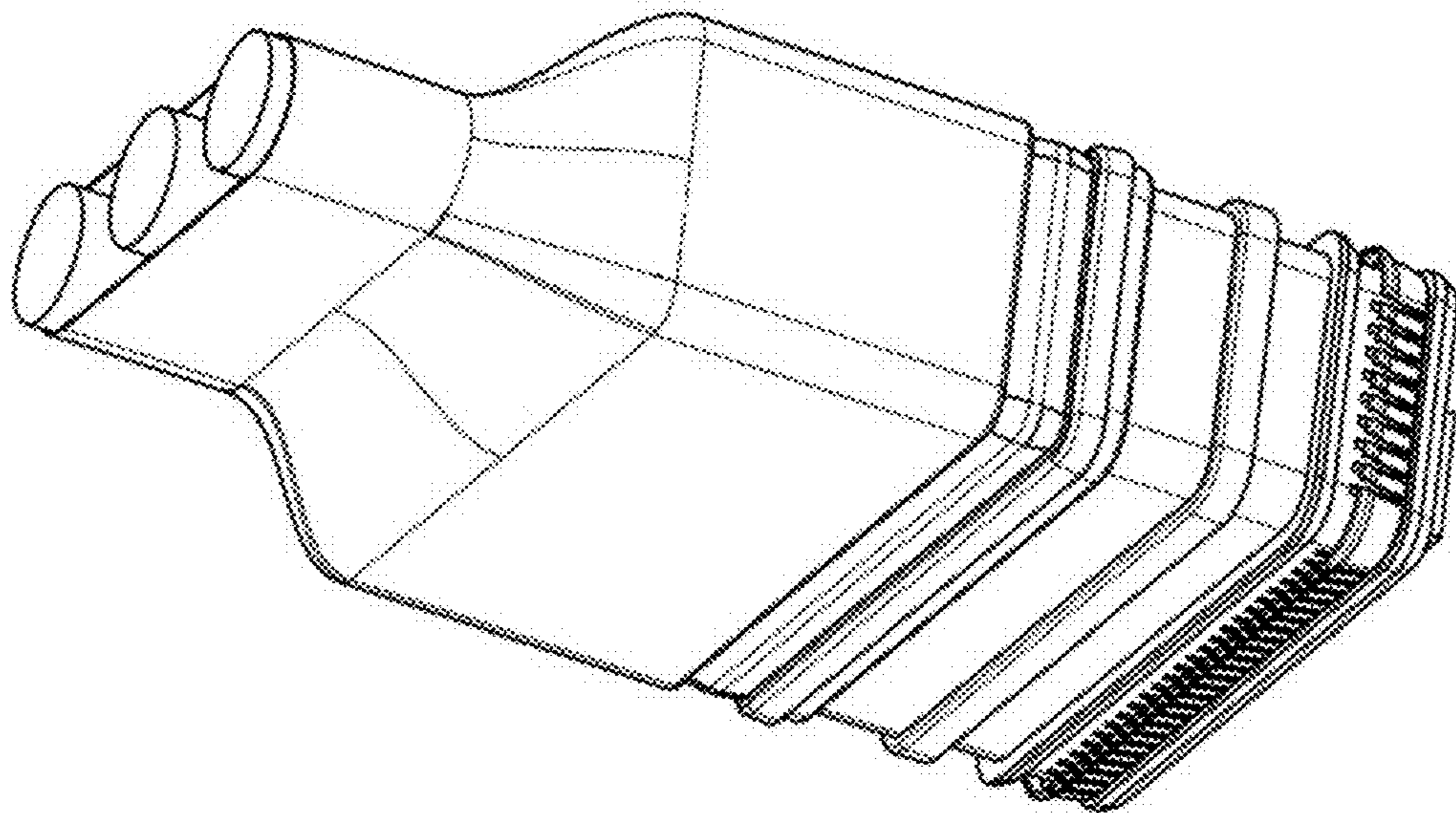


FIG. 2



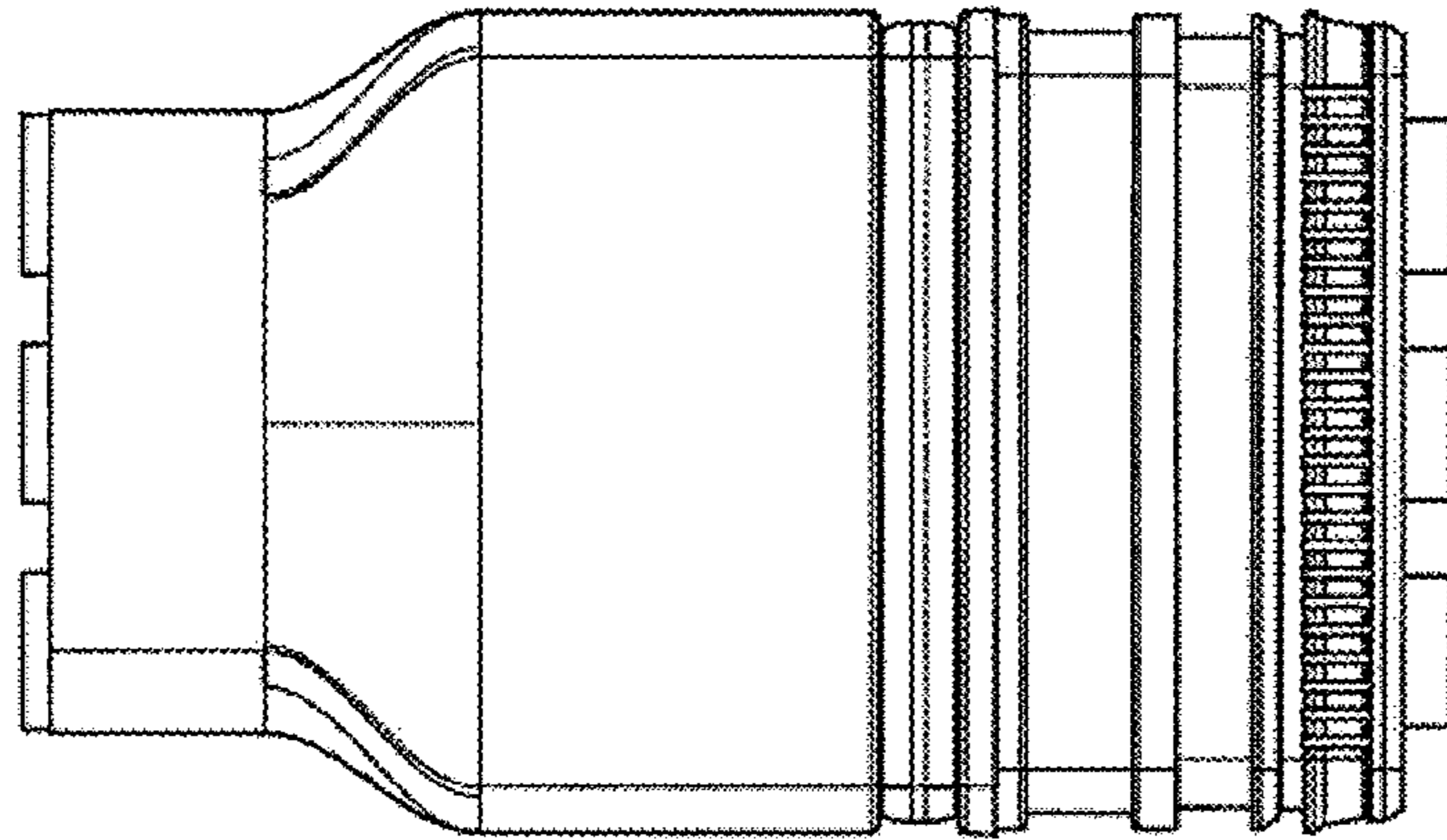


FIG. 3

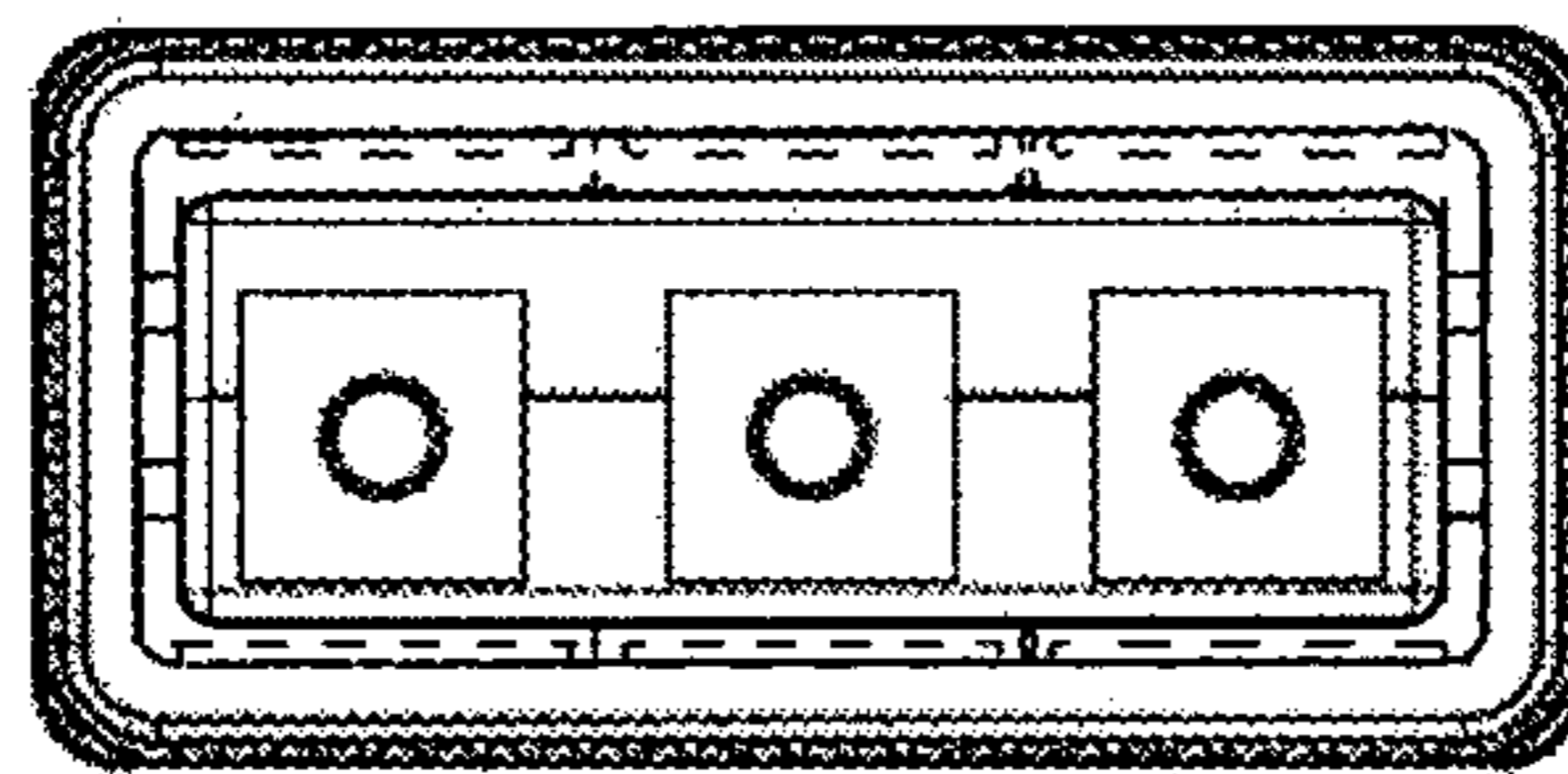


FIG. 4

UNITED STATES PATENT AND TRADEMARK OFFICE  
**CERTIFICATE OF CORRECTION**

PATENT NO. : D856,285 S  
APPLICATION NO. : 29/615781  
DATED : August 13, 2019  
INVENTOR(S) : Dawid Szymura et al.

Page 1 of 1

It is certified that error appears in the above-identified patent and that said Letters Patent is hereby corrected as shown below:

On the Title Page

For the Applicant (71):

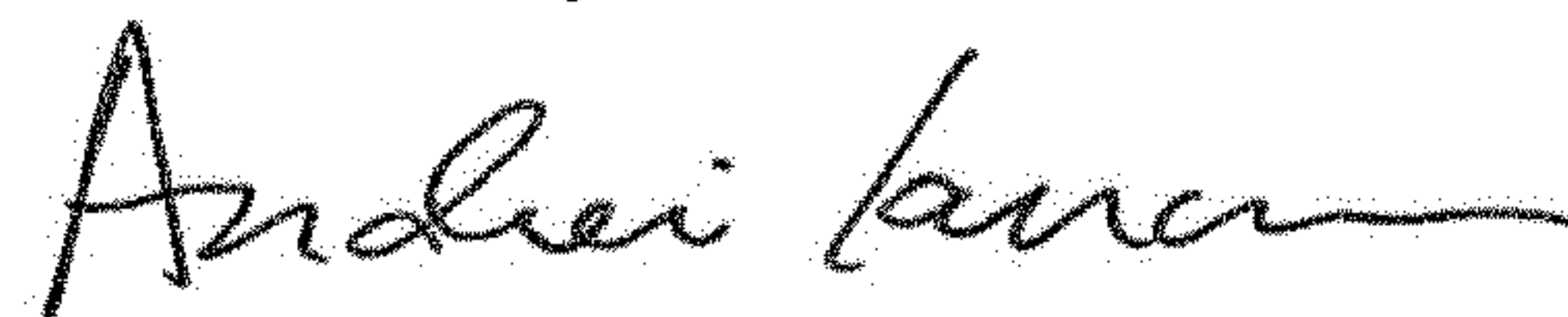
“**Amphenol Tuchel Electronics GmbH**” should be changed to --**Amphenol-Tuchel Electronics GmbH**--;

For the Inventors (72):

“Dawid Szymura, Heibronn (DE)” should be changed to --Dawid Szymura, **Heilbronn** (DE)--;

“Hansjuergen Reinwald, Heibronn (DE)” should be changed to --Hansjuergen Reinwald, **Heilbronn** (DE)--.

Signed and Sealed this  
First Day of October, 2019



Andrei Iancu  
*Director of the United States Patent and Trademark Office*