



US00D856283S

(12) **United States Design Patent** (10) **Patent No.:** **US D856,283 S**
Waters (45) **Date of Patent:** **** Aug. 13, 2019**

(54) **CLAMSHELL STYLE CONNECTOR**

- (71) Applicant: **TMB, Inc**, San Fernando, CA (US)
- (72) Inventor: **Colin Waters**, San Fernando, CA (US)
- (73) Assignee: **TMB Inc**
- (**) Term: **15 Years**

(21) Appl. No.: **29/621,790**

(22) Filed: **Oct. 11, 2017**

(51) **LOC (12) Cl.** **13-03**

(52) **U.S. Cl.**
USPC **D13/133**

(58) **Field of Classification Search**

USPC D13/107, 110, 118, 123, 133, 134, 146,
D13/147, 149, 151, 153, 154, 161, 173,
D13/177, 184, 199
CPC ... G02B 6/36; G02B 6/38; H01R 4/24; H01R
4/50; H01R 13/24; H01R 13/26; H01R
13/56; H01R 13/62; H01R 13/625; H01R
13/627

See application file for complete search history.

(56) **References Cited**

U.S. PATENT DOCUMENTS

4,787,860	A *	11/1988	Bender	H01R 13/6275 439/358
D388,053	S *	12/1997	Robertson, Jr.	D13/133
D443,859	S *	6/2001	Hogan	D13/133
D460,738	S *	7/2002	Chen	D13/133
7,431,604	B2	10/2008	Waters et al.		
D677,628	S *	3/2013	Fan	D13/133
D754,067	S *	4/2016	Kovacs	D13/133
D788,712	S *	6/2017	Liu	D13/147
D802,203	S *	11/2017	Hrach	D26/118
9,972,953	B1 *	5/2018	Zamora	H01R 4/4818
2007/0218746	A1 *	9/2007	Hur	H01R 13/502 439/369

OTHER PUBLICATIONS

ProShell RJ45 Cable Connector Protector, dated Mar. 28, 2015, [online], [site visited Aug. 3, 2018]. Available from Internet, <URL: <https://www.stagespot.com/proshell-rj45-cat5-ethernet-cable-connector-protector.html>> (Year: 2015).*

* cited by examiner

Primary Examiner — Angela J Lee

Assistant Examiner — Shawn T Gingrich

(74) *Attorney, Agent, or Firm* — Law Office of Scott C Harris, Inc

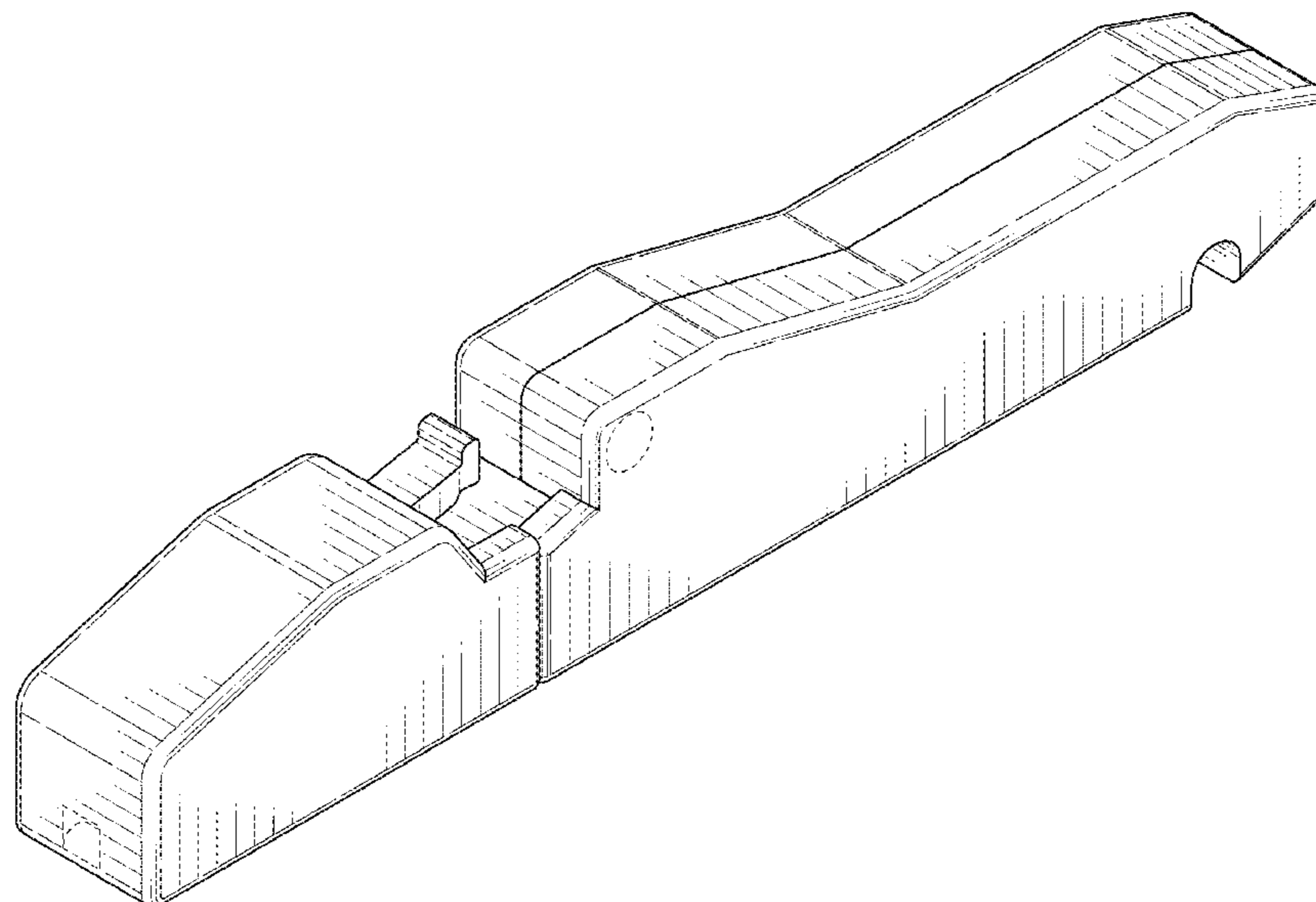
(57) **CLAIM**

I claim the ornamental design for a clamshell style connector, as shown and described.

DESCRIPTION

FIG. 1 shows a first perspective view of the clamshell style connector;
 FIG. 2 shows a first view of the clamshell style connector;
 FIG. 3 shows a second view of the clamshell style connector from the opposite side as the first view;
 FIG. 4 shows a first side view of the clamshell style connector;
 FIG. 5 shows a second side view of the clamshell style connector;
 FIG. 6 shows a top view of the clamshell style connector;
 and,
 FIG. 7 shows a bottom view of the clamshell style connector. The broken line portion of the figure drawings is included to show portions of the article that form no part of the claimed design.

1 Claim, 4 Drawing Sheets



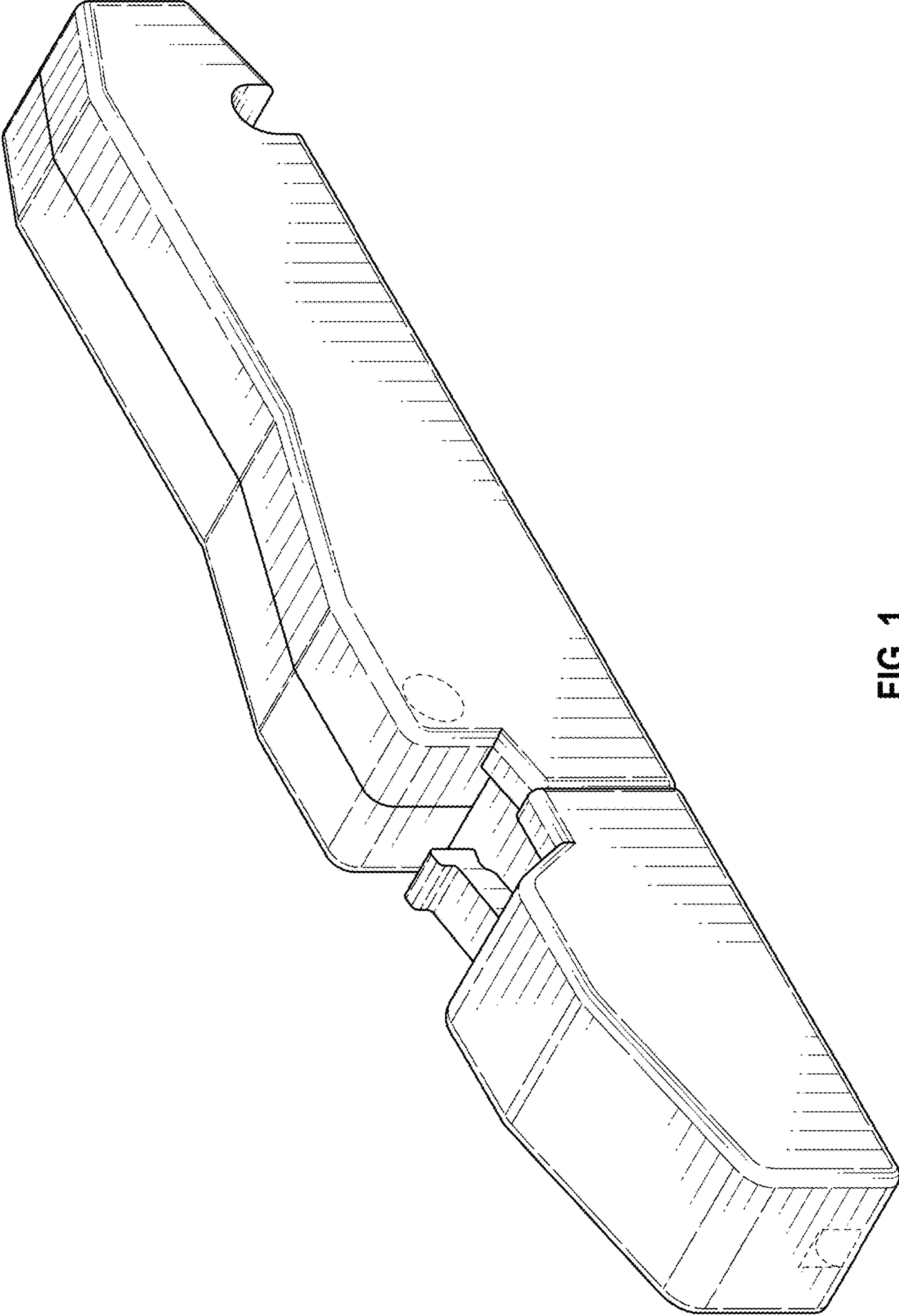


FIG. 1

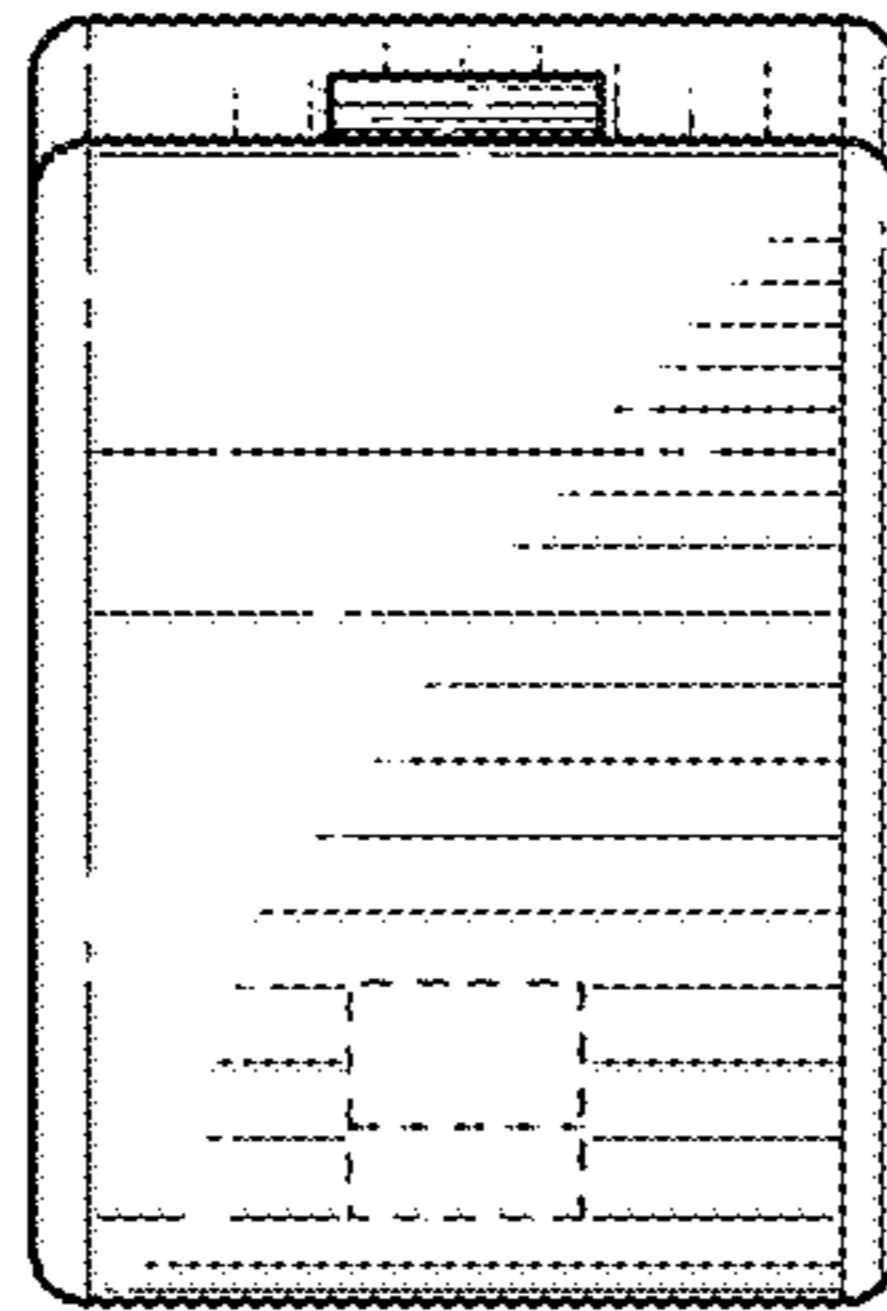


FIG. 2

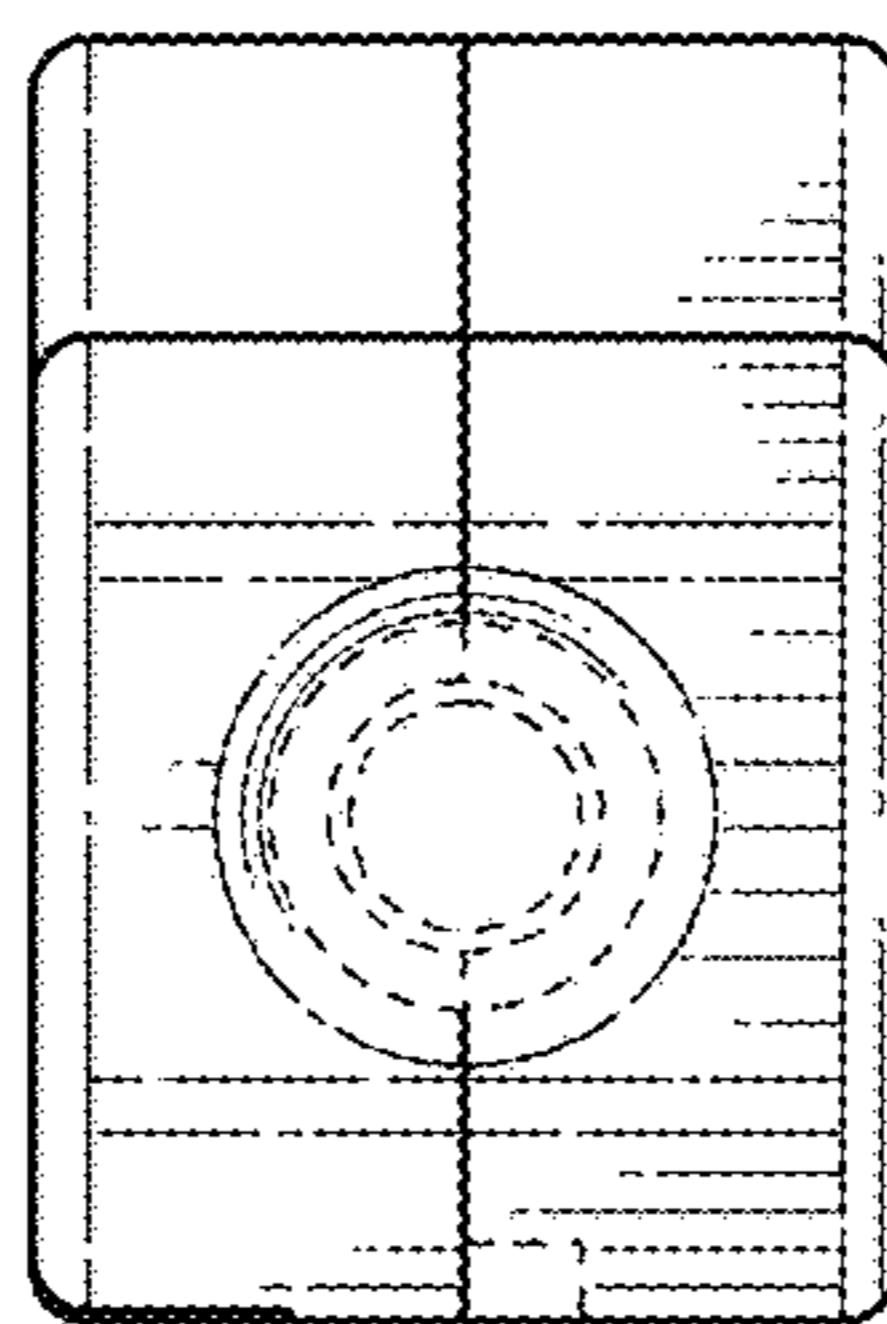


FIG. 3

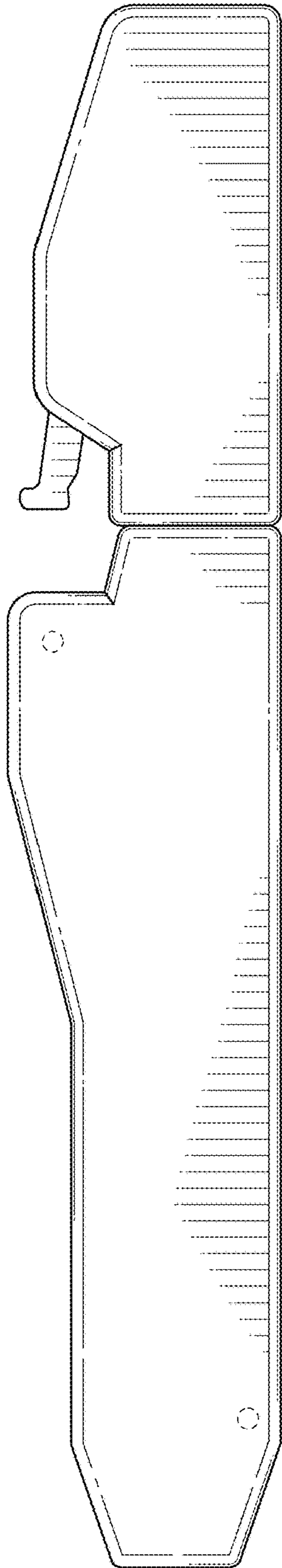


FIG. 4

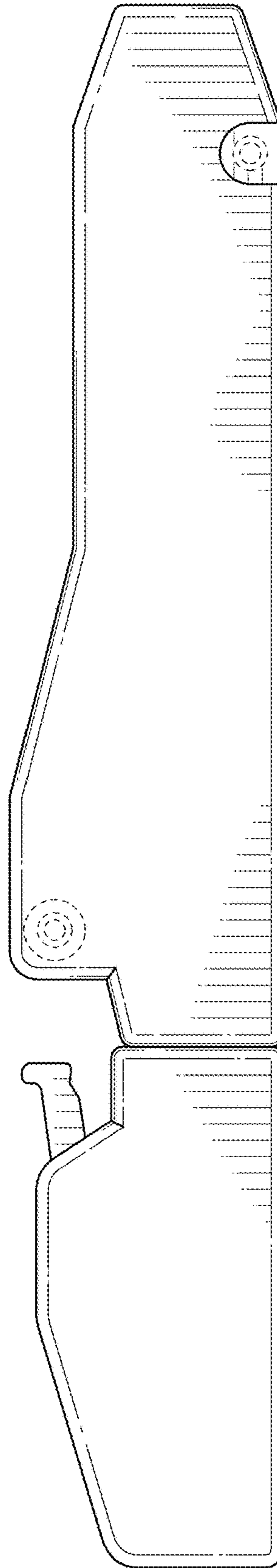


FIG. 5

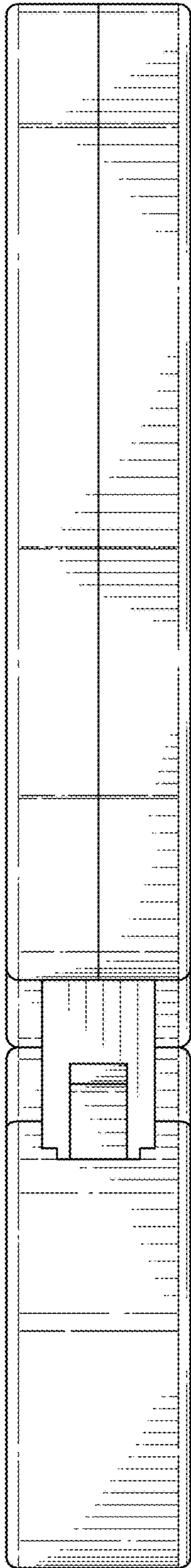


FIG. 6

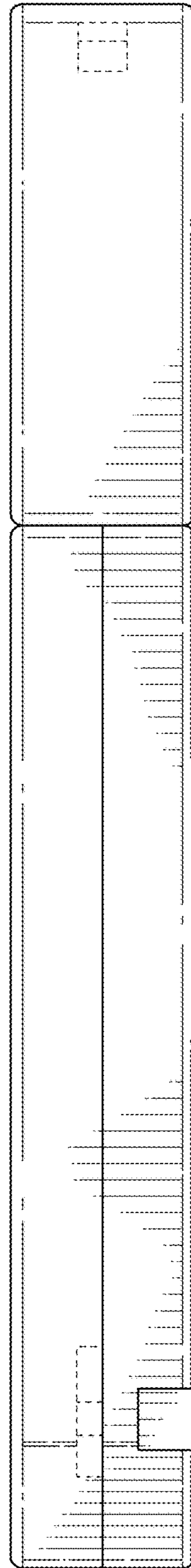


FIG. 7