



US00D856282S

(12) **United States Design Patent** (10) **Patent No.:** **US D856,282 S**
Pillsbury (45) **Date of Patent:** **** *Aug. 13, 2019**

(54) **GROUNDING BAR**

(71) Applicant: **Jesse Pillsbury**, Downey, ID (US)

(72) Inventor: **Jesse Pillsbury**, Downey, ID (US)

(*) Notice: This patent is subject to a terminal disclaimer.

(**) Term: **15 Years**

(21) Appl. No.: **29/595,377**

(22) Filed: **Feb. 28, 2017**

(51) **LOC (12) Cl.** **13-03**

(52) **U.S. Cl.**
USPC **D13/133; D25/133**

(58) **Field of Classification Search**
USPC 174/126.1; D13/103, 112, 118, 119, 120, D13/121, 122, 123, 133, 134, 146, 147, D13/149, 154, 155, 156, 173, 184, 199; D14/432, 433, 434, 435, 435.1, 436, 437, D14/438; D25/126, 127, 128, 129, 130, D25/131, 132, 133, 134, 135
CPC .. H01R 13/648; H01R 13/518; H01R 13/655; H01R 13/74; H01R 25/006; H01R 4/30; H01R 4/42; H01R 4/64; H01R 4/643; H01R 9/2483; H01R 9/2608; H01H 9/12; H05K 5/02; H05K 9/0039; H02B 1/16; H02B 1/20

See application file for complete search history.

(56) **References Cited**

U.S. PATENT DOCUMENTS

5,777,263	A	7/1998	Maehler et al.	
6,252,166	B1	6/2001	Leschinger	
6,313,403	B1	11/2001	Livingston et al.	
6,431,885	B1	8/2002	Stroup	
D481,356	S *	10/2003	Hwang	D13/123
6,674,000	B2	1/2004	Lambiaso	
7,122,739	B2	10/2006	Franks, Jr.	

7,859,857	B2	12/2010	Bucciferro	
D639,587	S *	6/2011	Selinger	D25/126
D653,528	S *	2/2012	Choi	D8/381
8,581,115	B2	11/2013	Lawrence	
D732,708	S *	6/2015	Stauffer	D25/133
D743,910	S *	11/2015	Murphy	D13/147
D769,701	S *	10/2016	Dunkinson	D25/133
9,548,256	B2 *	1/2017	Uehling	H01L 23/373
D783,181	S *	4/2017	Coulston	D25/126
9,673,576	B2 *	6/2017	Ariani	H01R 13/74
D813,187	S *	3/2018	Martinez Sanchez	D14/140.2
D814,416	S *	4/2018	Hickey	D13/120
D815,151	S *	4/2018	Layton	D15/5

OTHER PUBLICATIONS

Grounding Electric Bar <https://www.123rf.com/photo_37149010_grounding-electric-bar-part-of-telecommunication-equipment-in-server-room.html> Date Unknown.*

* cited by examiner

Primary Examiner — Cathron C Brooks
Assistant Examiner — Samantha Q. Lawrence
(74) *Attorney, Agent, or Firm* — Cramer Patent Design PLLC; Aaron R. Cramer

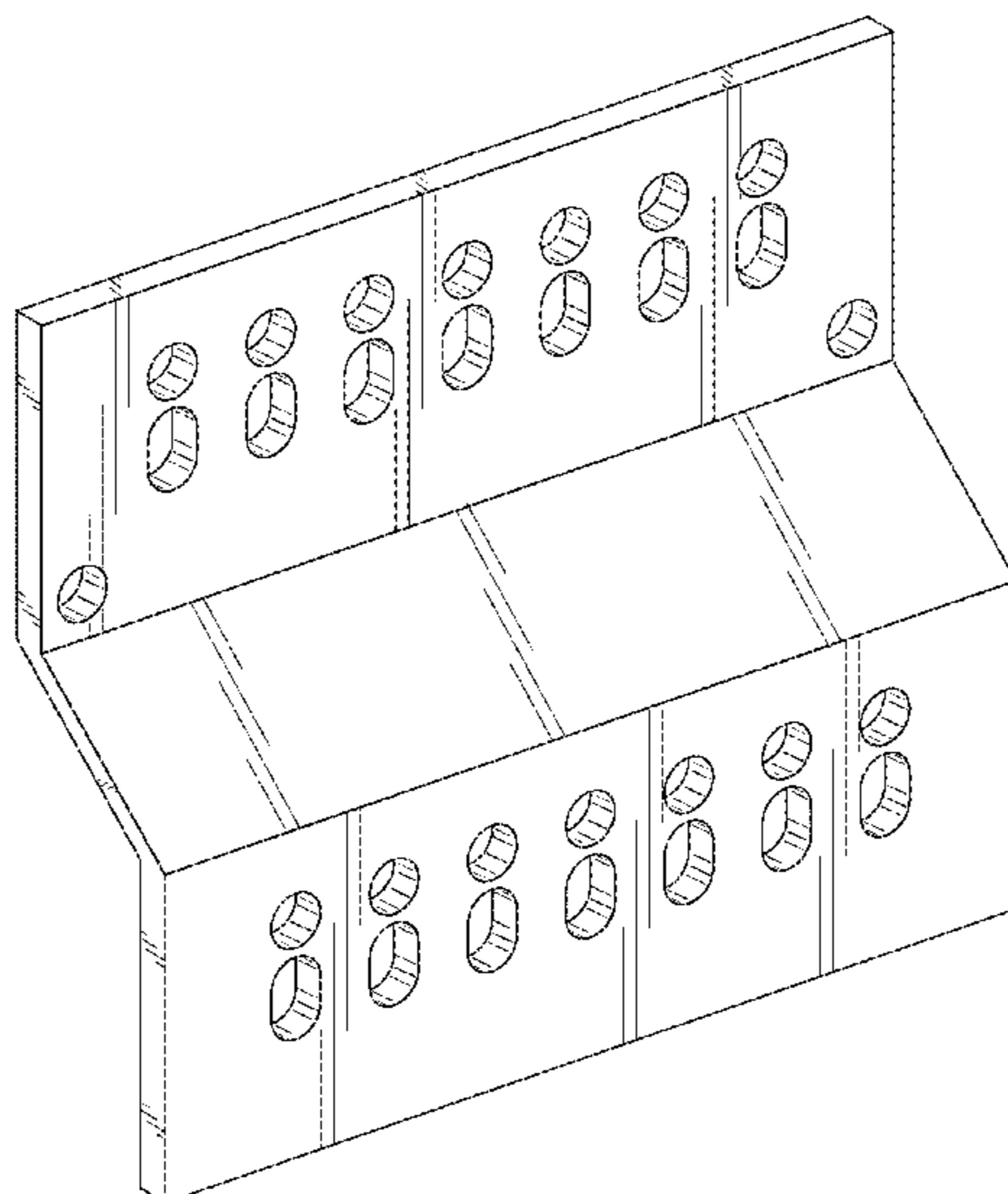
(57) **CLAIM**

The ornamental design for a grounding bar, as shown and described.

DESCRIPTION

FIG. 1 is a perspective top front view of a grounding bar, showing my new design;
FIG. 2 is a front elevation view thereof;
FIG. 3 is a rear elevation view thereof;
FIG. 4 is a right elevation view thereof;
FIG. 5 is a left elevation view thereof;
FIG. 6 is a top plan view thereof; and,
FIG. 7 is a bottom plan view thereof, but shown rotated 180 degrees.

1 Claim, 7 Drawing Sheets



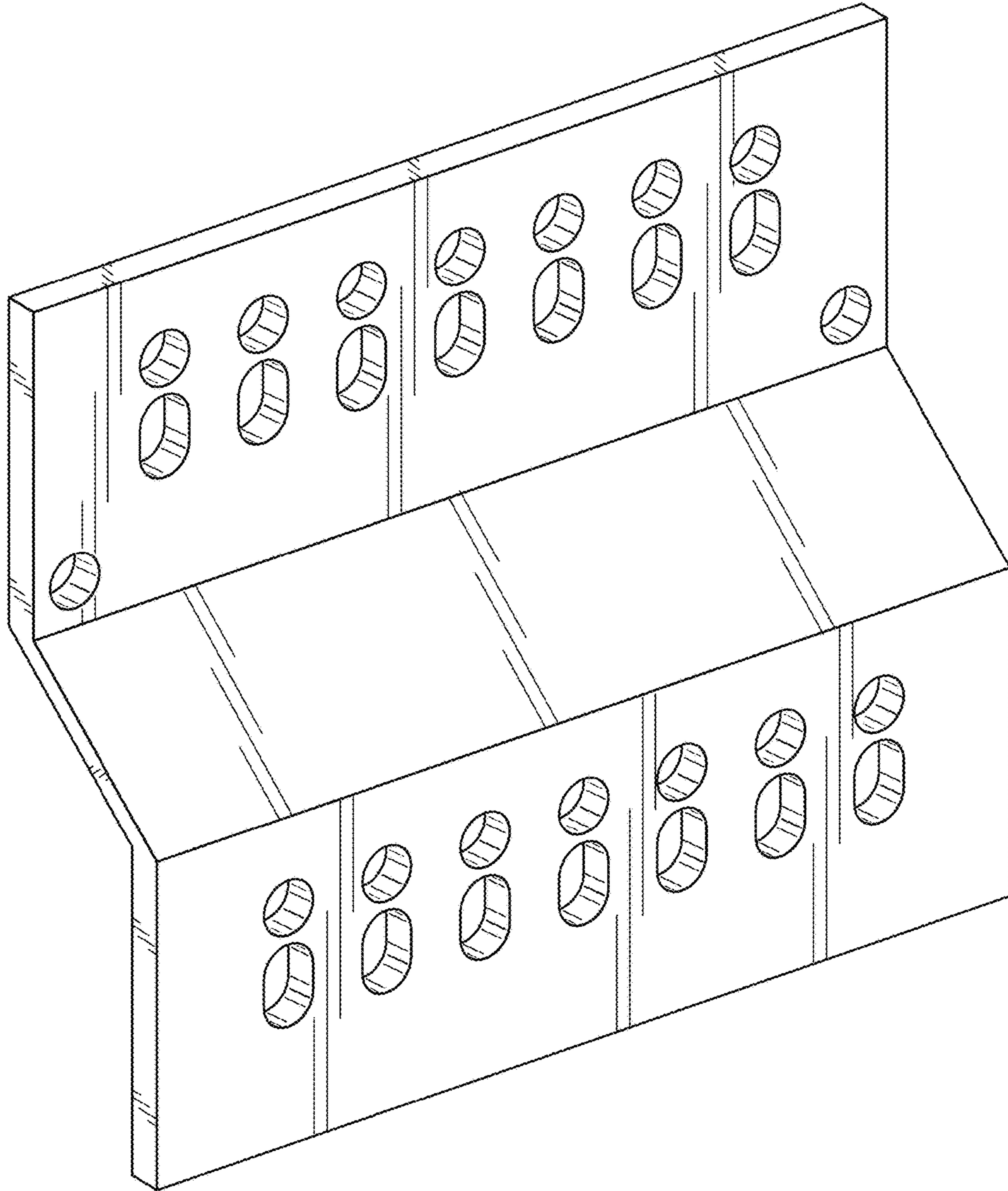


FIG. 1

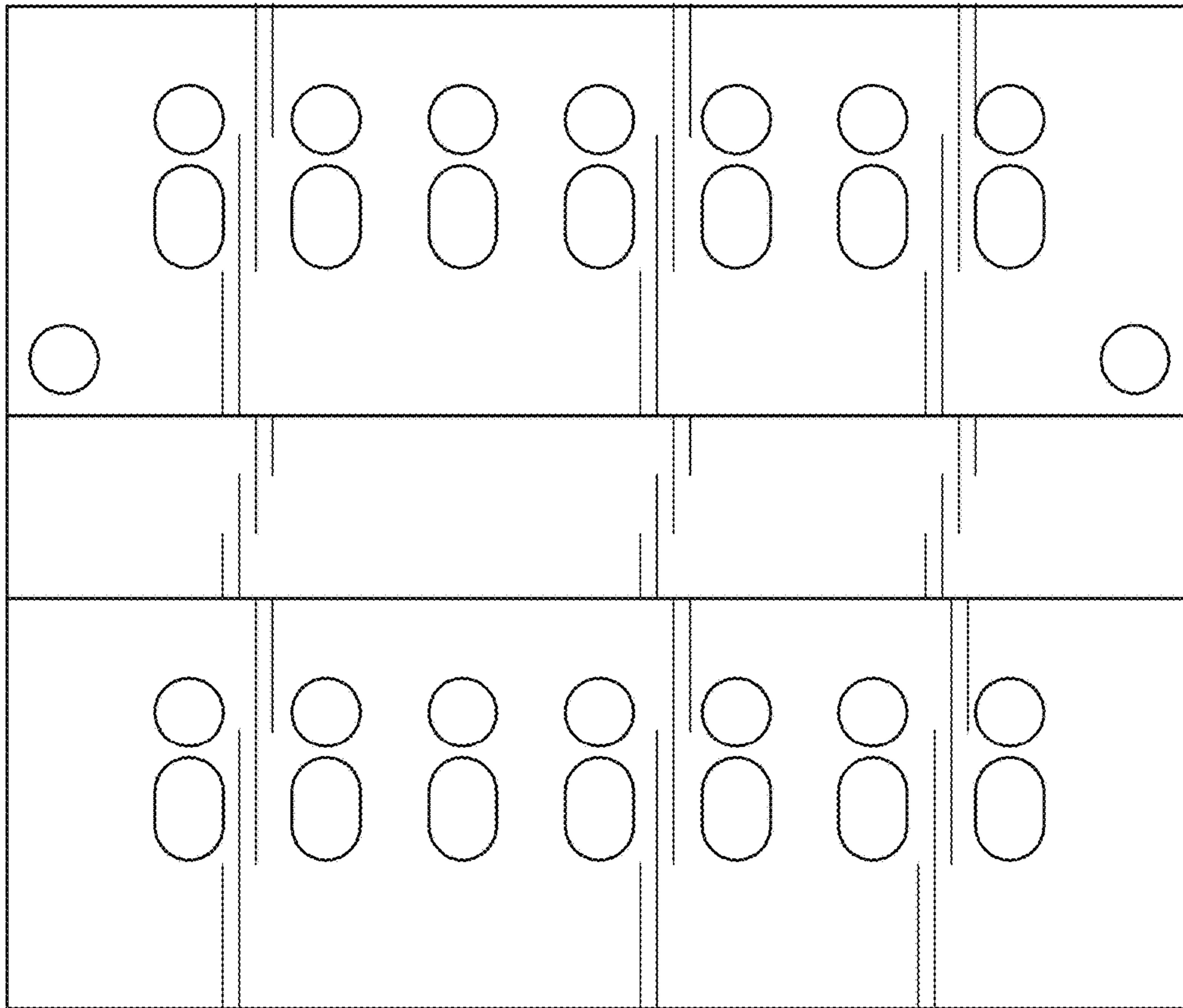


FIG. 2

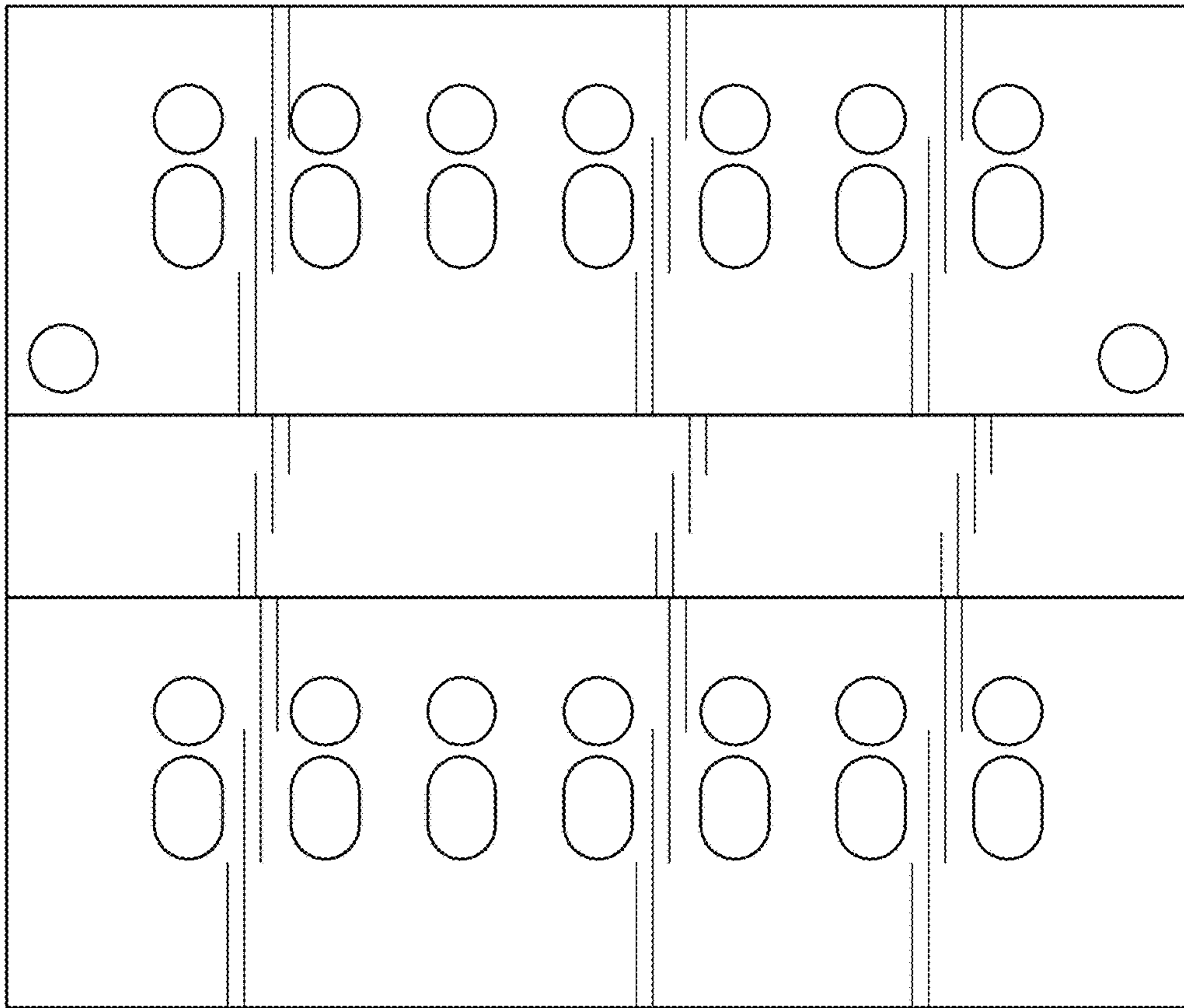


FIG. 3

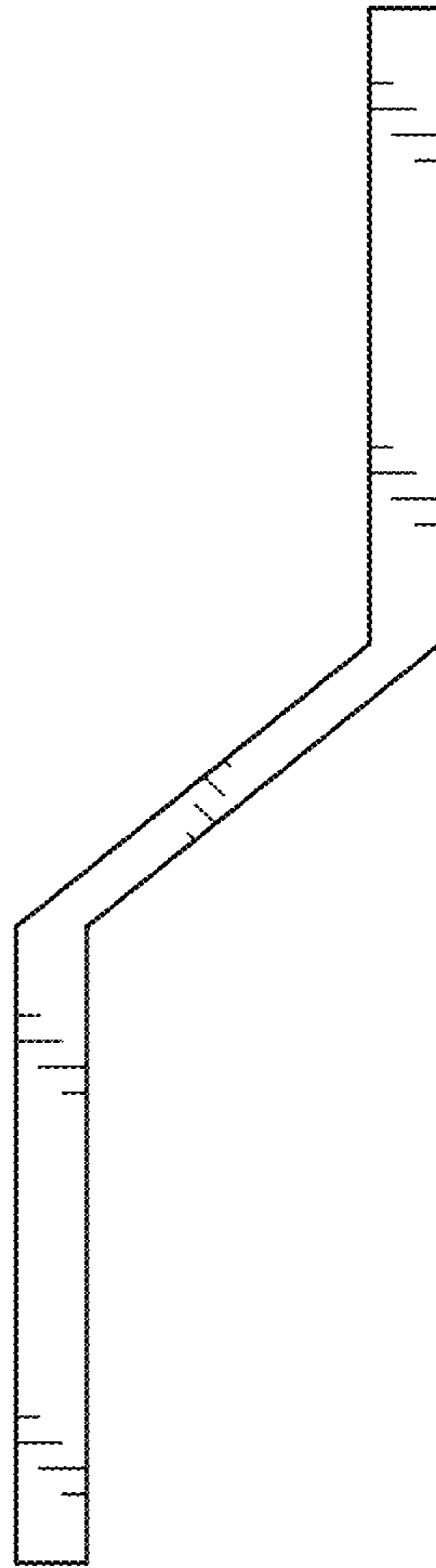


FIG. 4

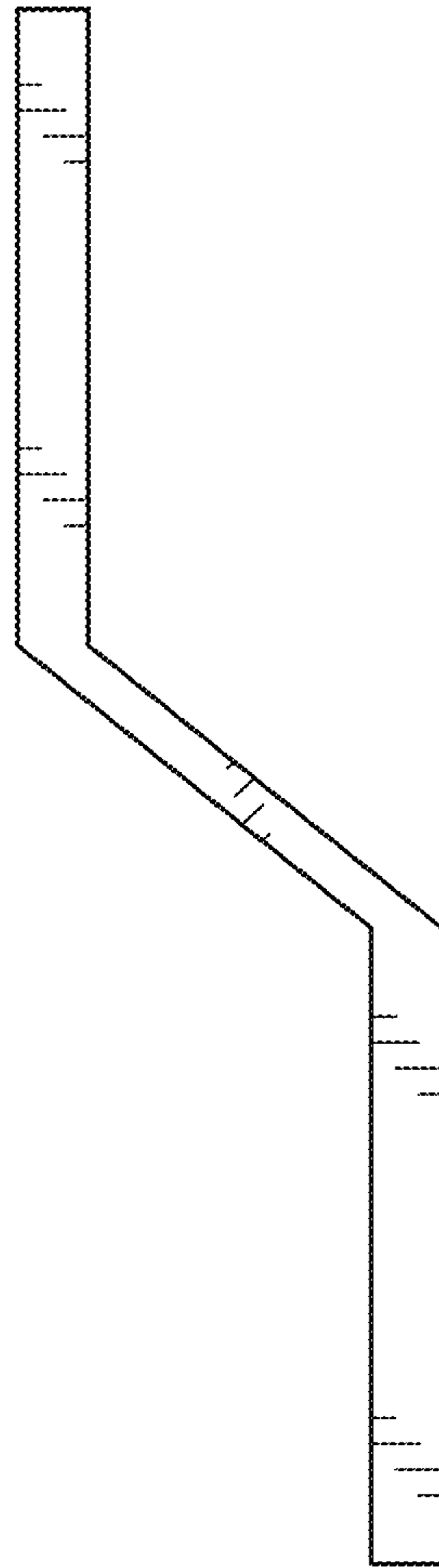


FIG. 5

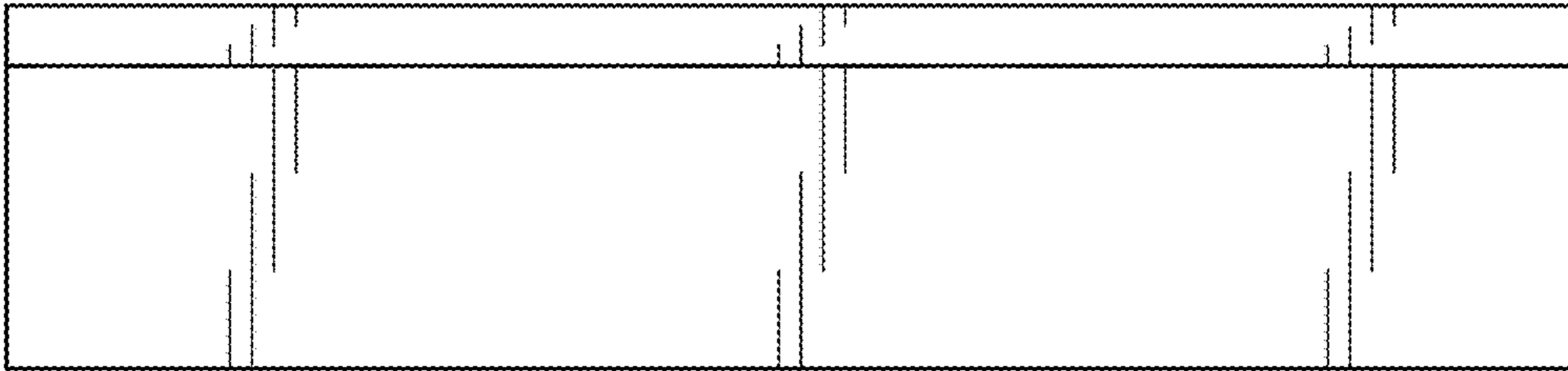


FIG. 6

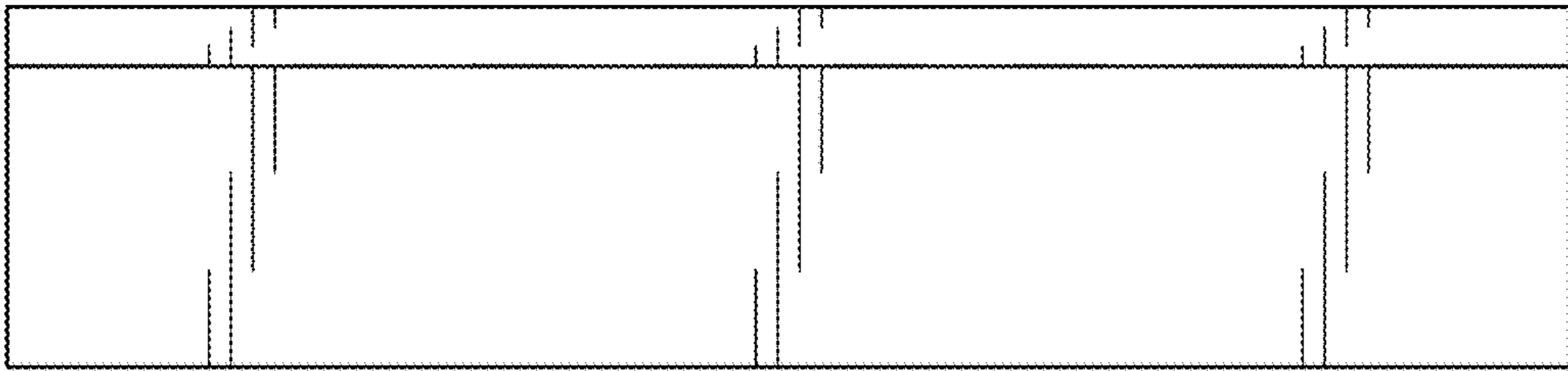


FIG. 7