



US00D856281S

(12) **United States Design Patent** (10) **Patent No.:** **US D856,281 S**
Brennenstuhl et al. (45) **Date of Patent:** **** Aug. 13, 2019**

(54) **HOUSING FOR ELECTRIC AND ELECTRONIC COMPONENTS**

(71) Applicant: **Robert Bosch GmbH**, Stuttgart (DE)

(72) Inventors: **Jens Brennenstuhl**, Albershausen (DE); **Heiko Roehm**, Stuttgart (DE); **Andreas Heber**, Bissingen An der Teck (DE)

(73) Assignee: **Robert Bosch GmbH**, Stuttgart (DE)

(**) Term: **15 Years**

(21) Appl. No.: **29/588,096**

(22) Filed: **Dec. 19, 2016**

(30) **Foreign Application Priority Data**

Jun. 21, 2016 (EM) 003232305

(51) **LOC (12) Cl.** **13-03**

(52) **U.S. Cl.**
USPC **D13/133**

(58) **Field of Classification Search**
USPC D13/110, 112, 118, 123, 133, 146, 154,
D13/156, 158-160, 173, 177, 184, 199
CPC H01R 4/66; H01R 11/30; H01R 12/00;
H01R 13/42; H01R 13/49; H01R 13/518;
(Continued)

(56) **References Cited**

U.S. PATENT DOCUMENTS

5,010,435 A * 4/1991 Shiba G11B 23/0035
360/133
D331,915 S * 12/1992 Martin D13/154
(Continued)

Primary Examiner — Angela J Lee
Assistant Examiner — Shawn T Gingrich

(74) *Attorney, Agent, or Firm* — Maginot, Moore & Beck LLP

(57) **CLAIM**

The ornamental design for a housing for electric and electronic components, as shown and described.

DESCRIPTION

FIG. 1 is a perspective view of a first embodiment of a housing for electric and electronic components showing our new design;

FIG. 2 is a front elevational view of the housing for electric and electronic components of FIG. 1;

FIG. 3 is a rear elevational view of the housing for electric and electronic components of FIG. 1;

FIG. 4 is a left side elevational view of the housing for electric and electronic components of FIG. 1;

FIG. 5 is a right side elevational view of the housing for electric and electronic components of FIG. 1;

FIG. 6 is a top plan view of the housing for electric and electronic components of FIG. 1; and

FIG. 7 is a bottom plan view of the housing for electric and electronic components of FIG. 1.

FIG. 8 is a perspective view of a second embodiment of a housing for electric and electronic components showing our new design;

FIG. 9 is a front elevational view of the housing for electric and electronic components of FIG. 8;

FIG. 10 is a rear elevational view of the housing for electric and electronic components of FIG. 8;

FIG. 11 is a right side elevational view of the housing for electric and electronic components of FIG. 8;

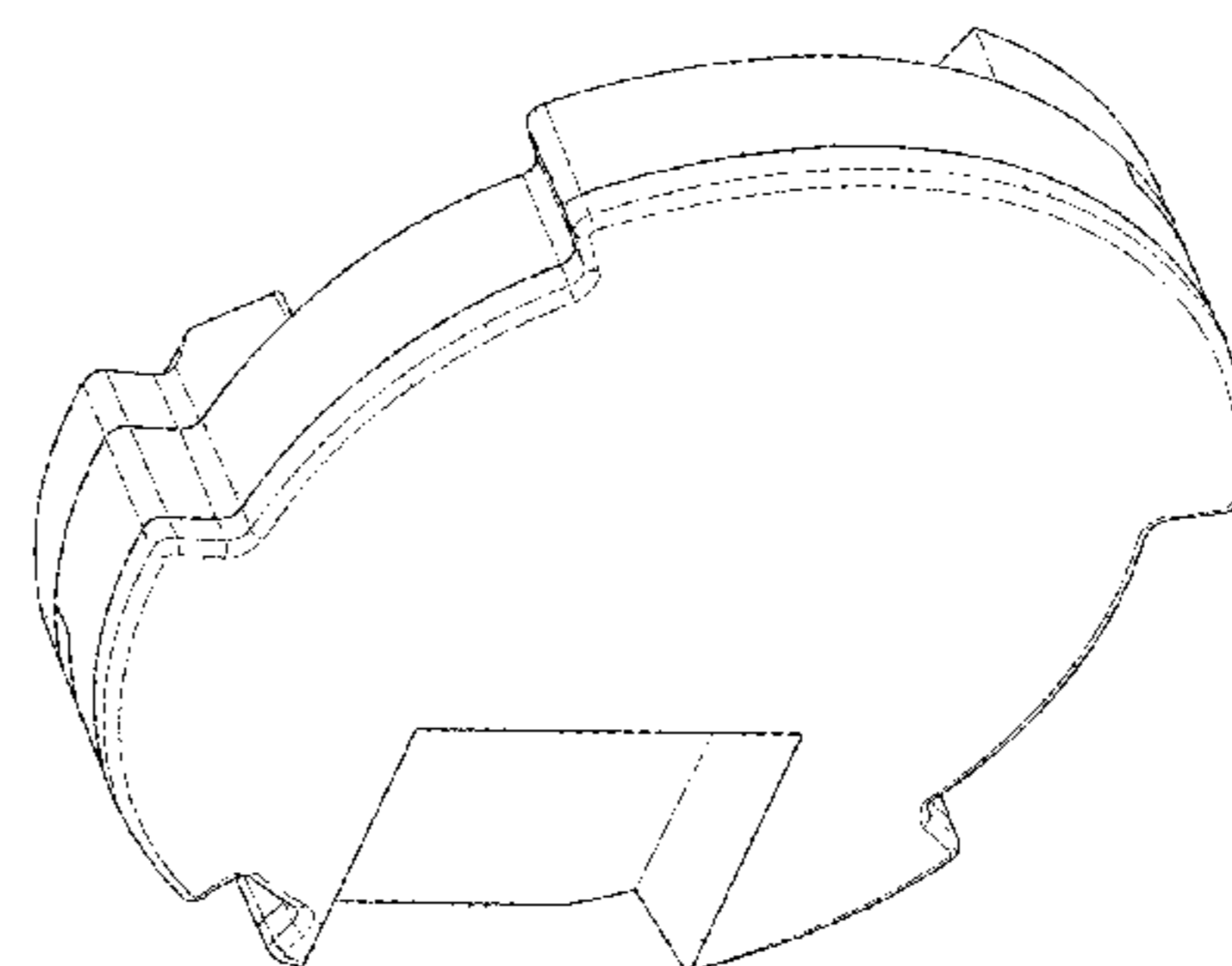
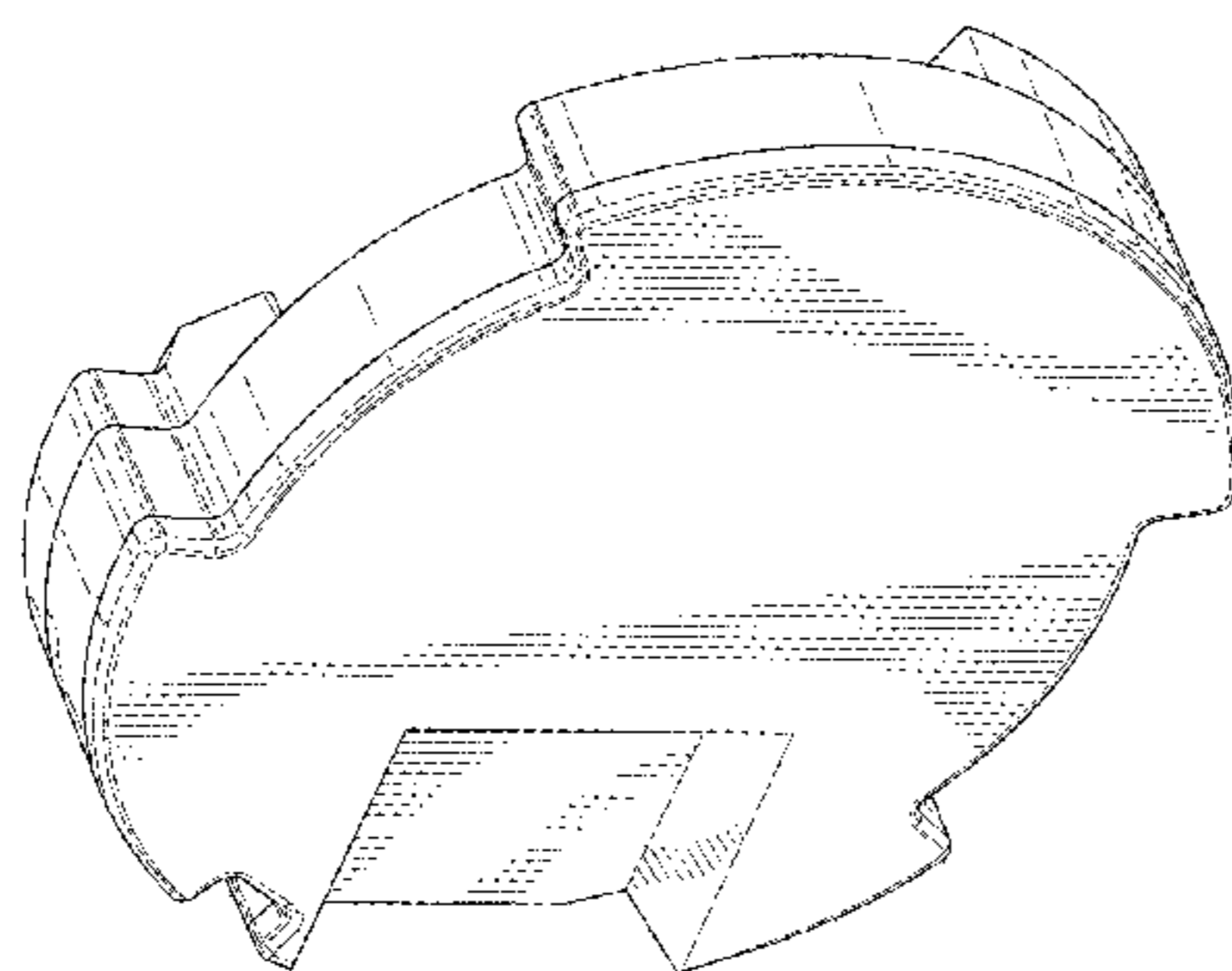
FIG. 12 is a left side elevational view of the housing for electric and electronic components of FIG. 8;

FIG. 13 is a top plan view of the housing for electric and electronic components of FIG. 8; and,

FIG. 14 is a bottom plan view of the housing for electric and electronic components of FIG. 8.

The broken lines shown in the drawings illustrate portions of the housing for electric and electronic components that form no part of the claimed design.

1 Claim, 10 Drawing Sheets



(58) **Field of Classification Search**

CPC H01R 13/60; H01R 13/62; H01R 13/64;
H01R 13/65; H01R 25/00; H01R 29/00

See application file for complete search history.

(56) **References Cited**

U.S. PATENT DOCUMENTS

5,793,352 A * 8/1998 Greenberg G09G 5/006
345/699
D476,376 S * 6/2003 Wintersteiger D14/432
D556,144 S * 11/2007 Dinh D13/152
D591,678 S * 5/2009 Whitley D13/133
8,100,485 B2 * 1/2012 Ogasawara G06F 1/181
312/294
D710,801 S * 8/2014 Tanaka D13/112
D742,823 S * 11/2015 Nitz D13/103
D745,477 S * 12/2015 Nitz D13/184
D748,056 S * 1/2016 Takagi D13/137.2
D757,011 S * 5/2016 Sakai D14/433
9,383,233 B2 * 7/2016 Peters G01D 11/24
D780,136 S * 2/2017 Chudoba D13/184
D794,577 S * 8/2017 Hoffknecht D13/162
D808,907 S * 1/2018 Gretz D13/156
D817,333 S * 5/2018 Boshernitzan D14/434
2007/0062832 A1 * 3/2007 Fomby A45C 5/08
206/403
2015/0260581 A1 * 9/2015 Fadell G08B 17/00
307/117

* cited by examiner

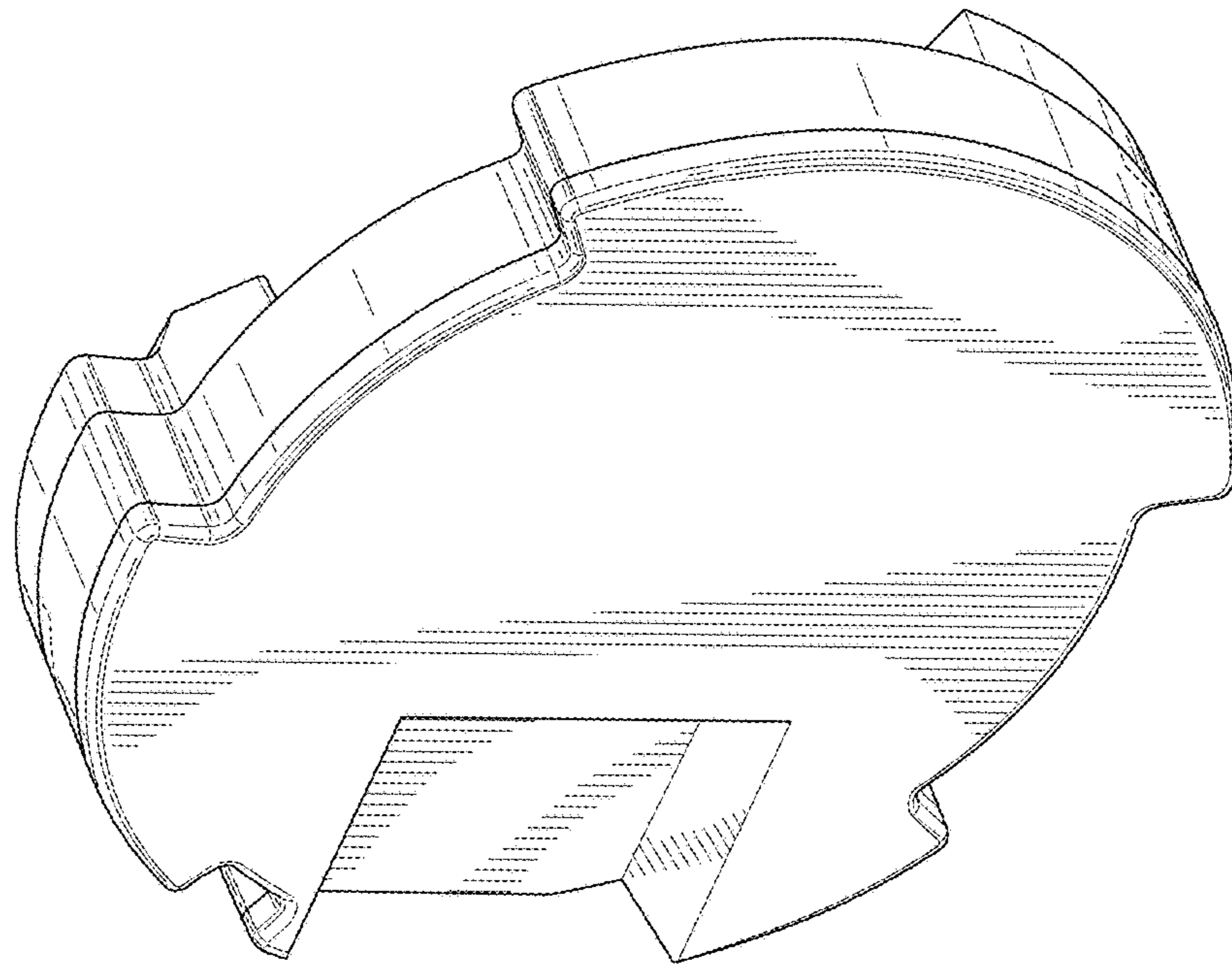


FIG. 1

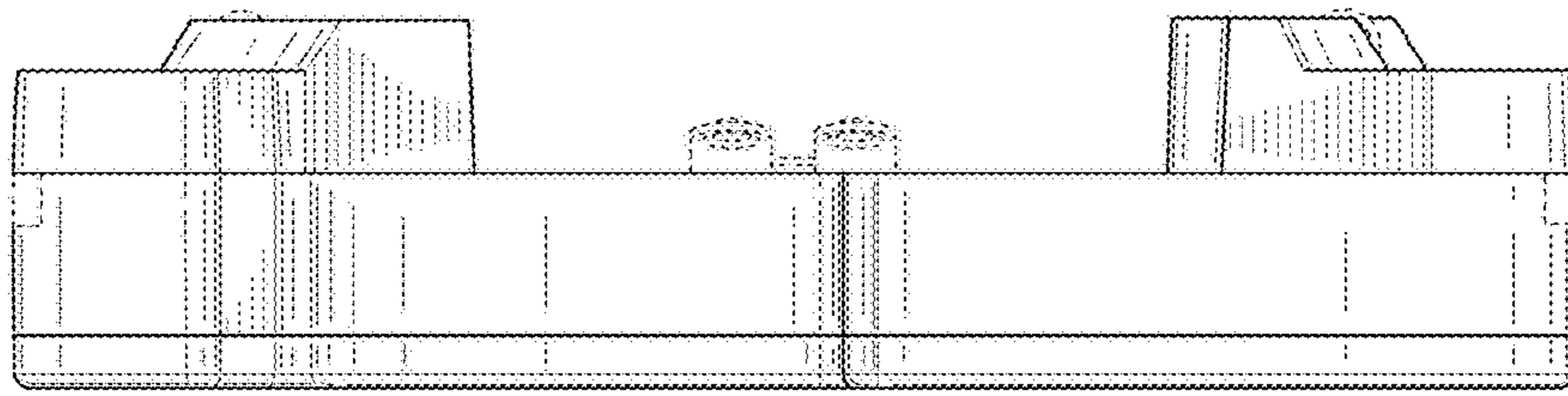


FIG. 2

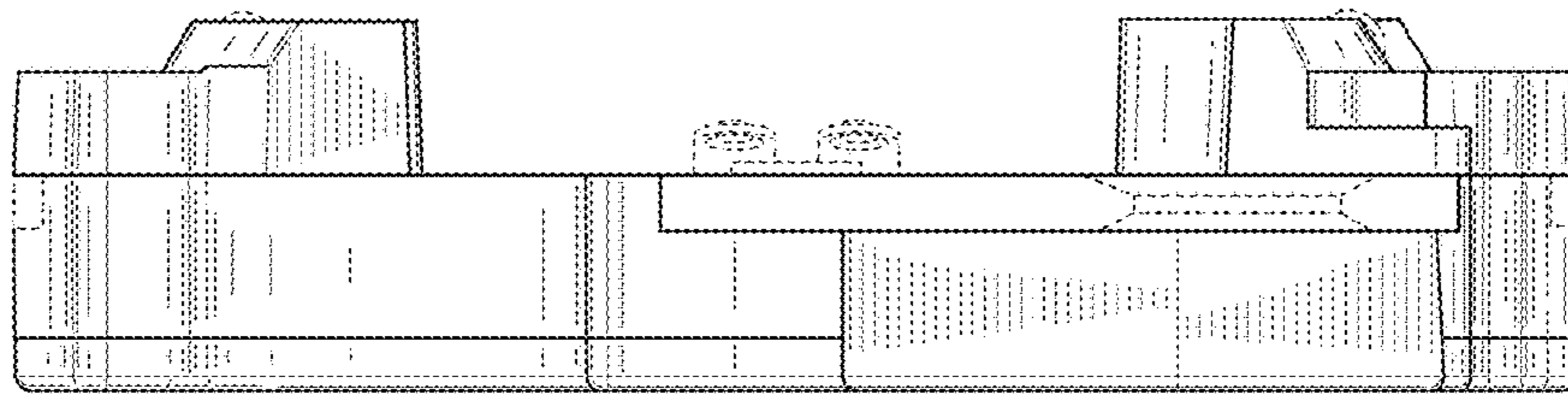


FIG. 3

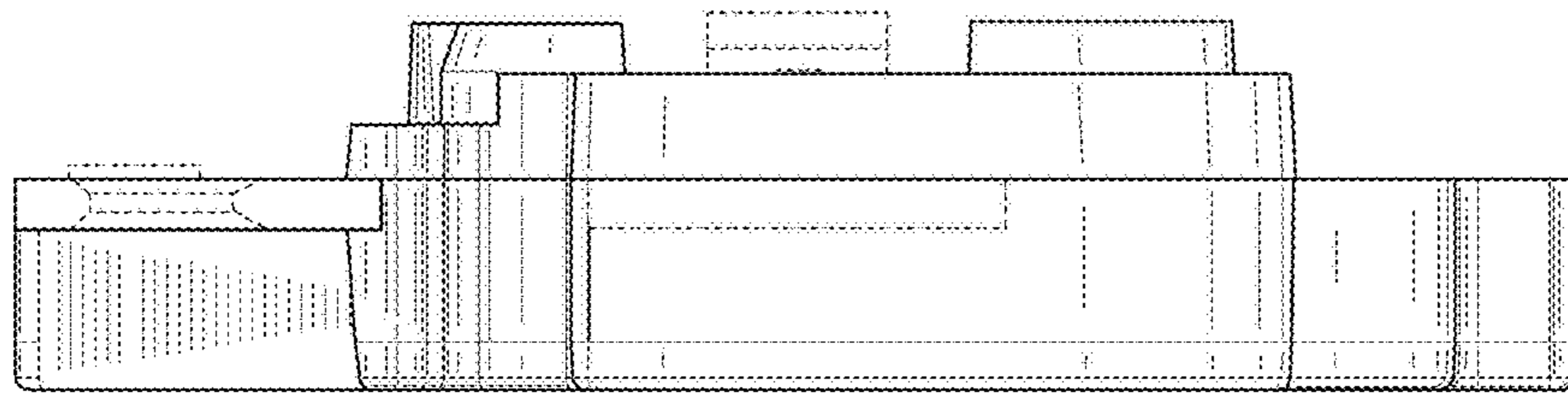


FIG. 4

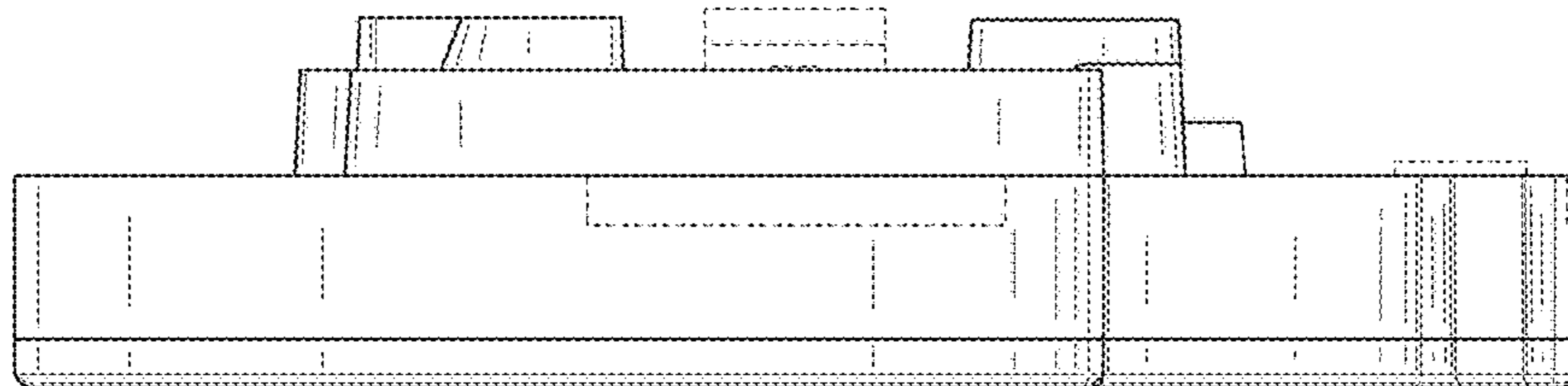


FIG. 5

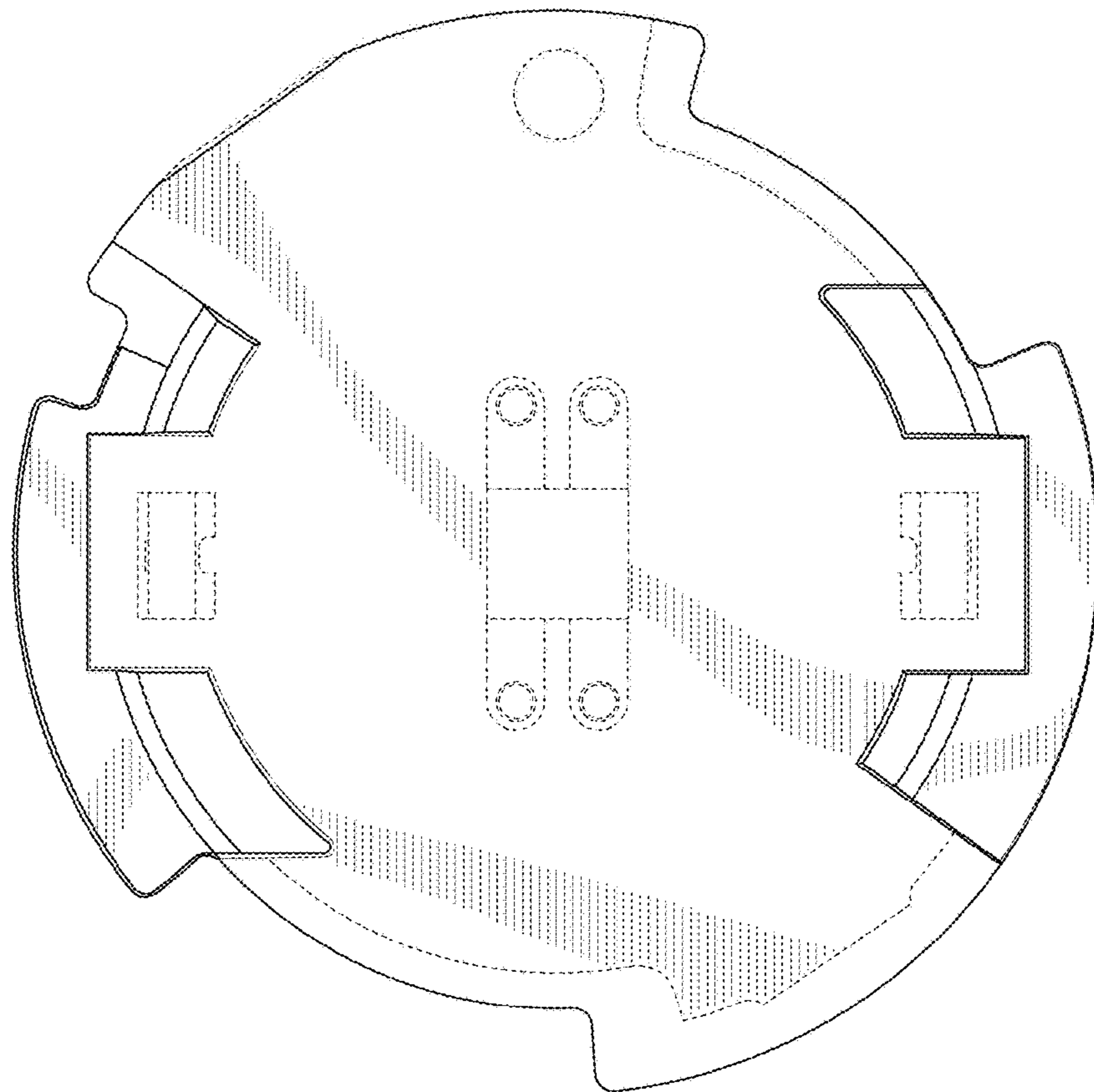


FIG. 6

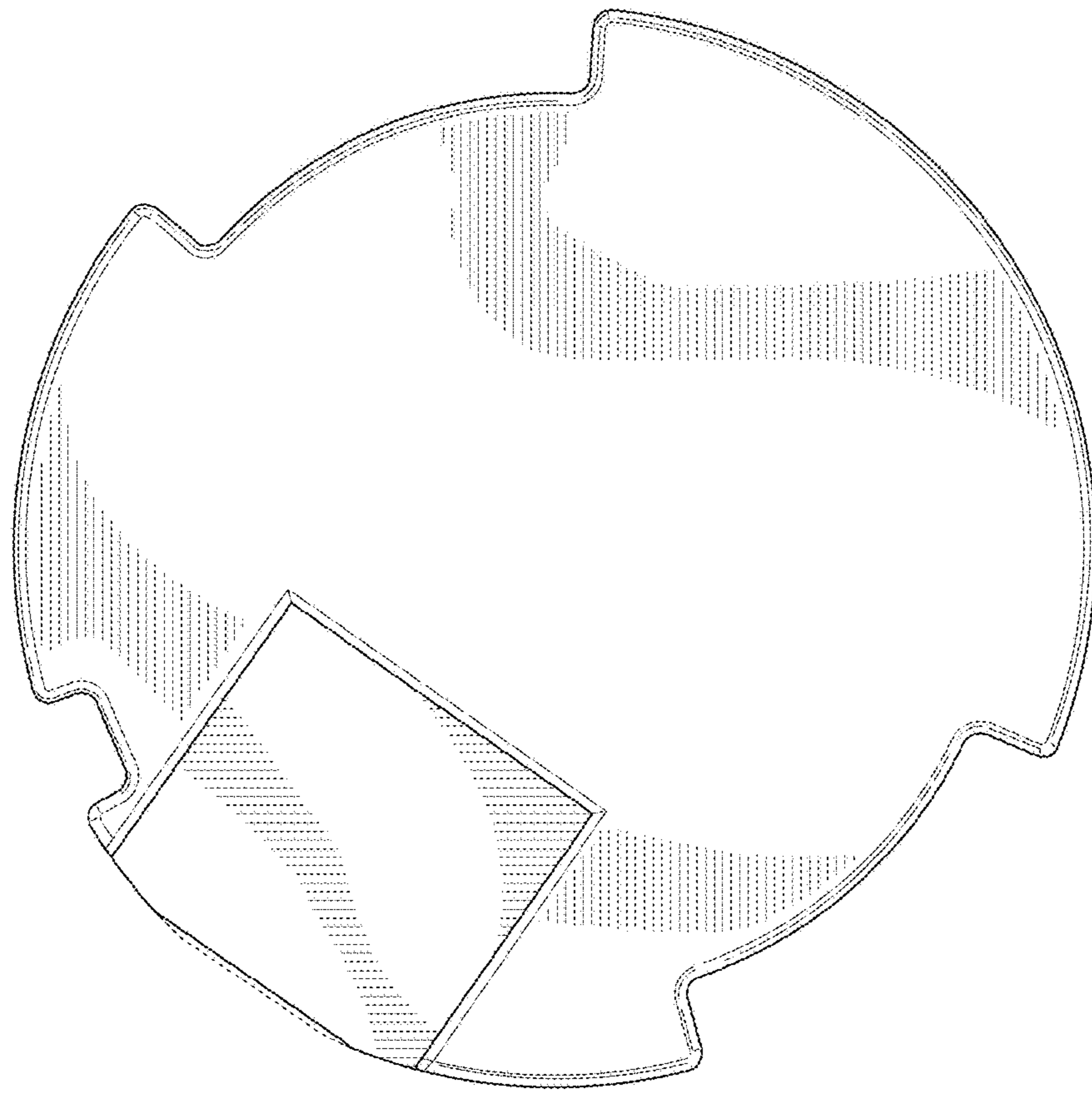


FIG. 7

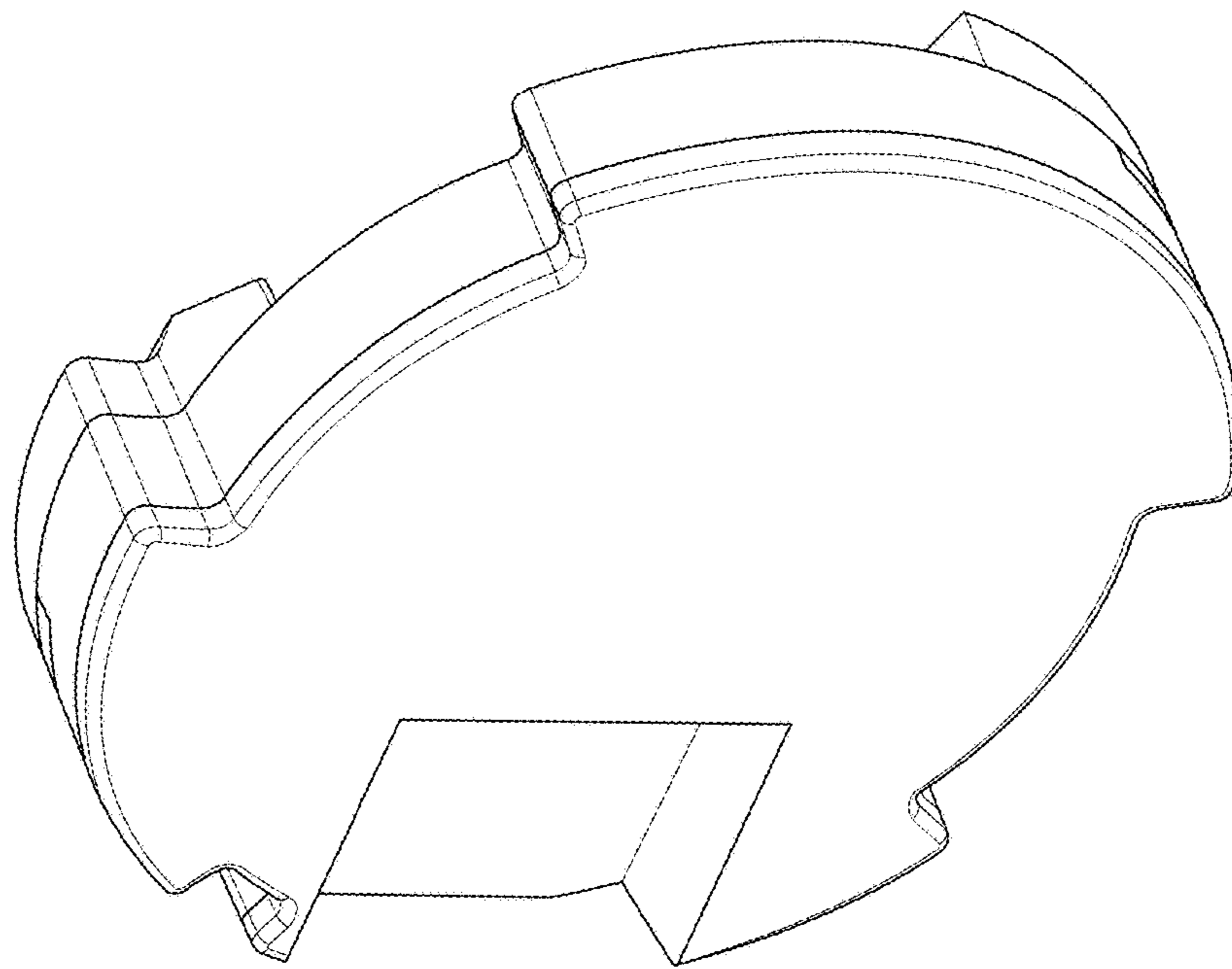


FIG. 8

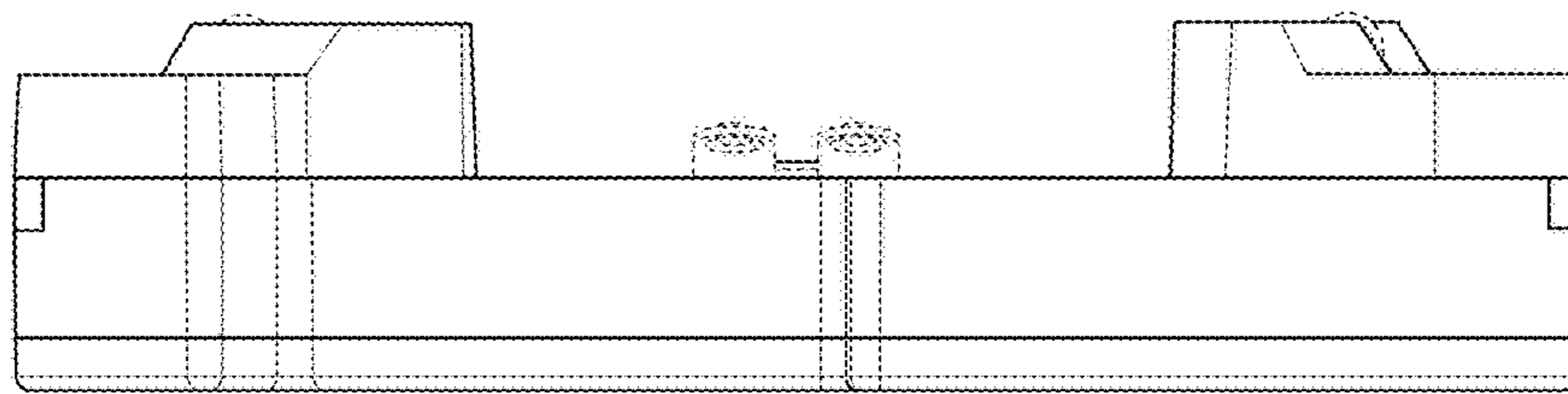


FIG. 9

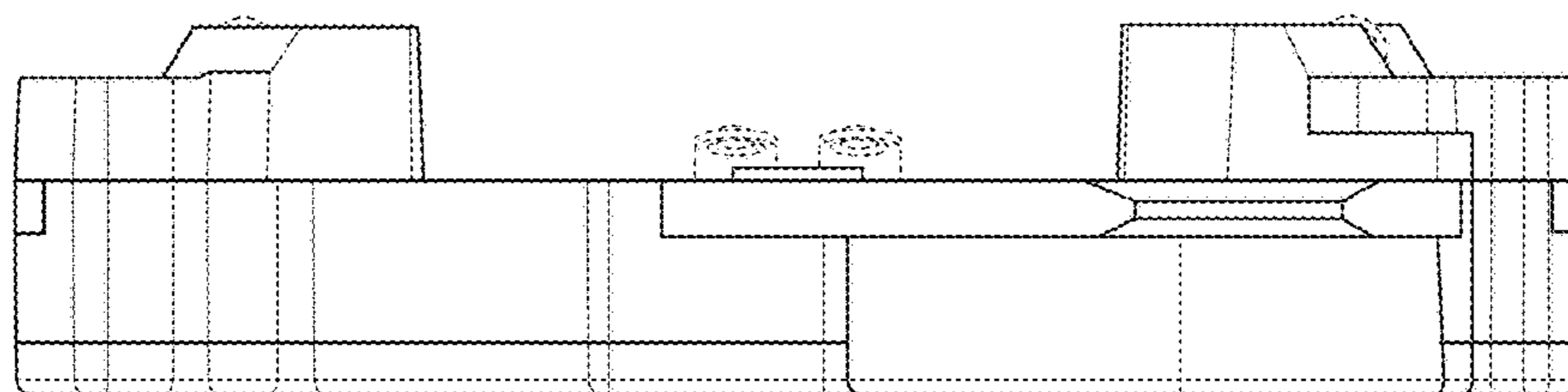


FIG. 10

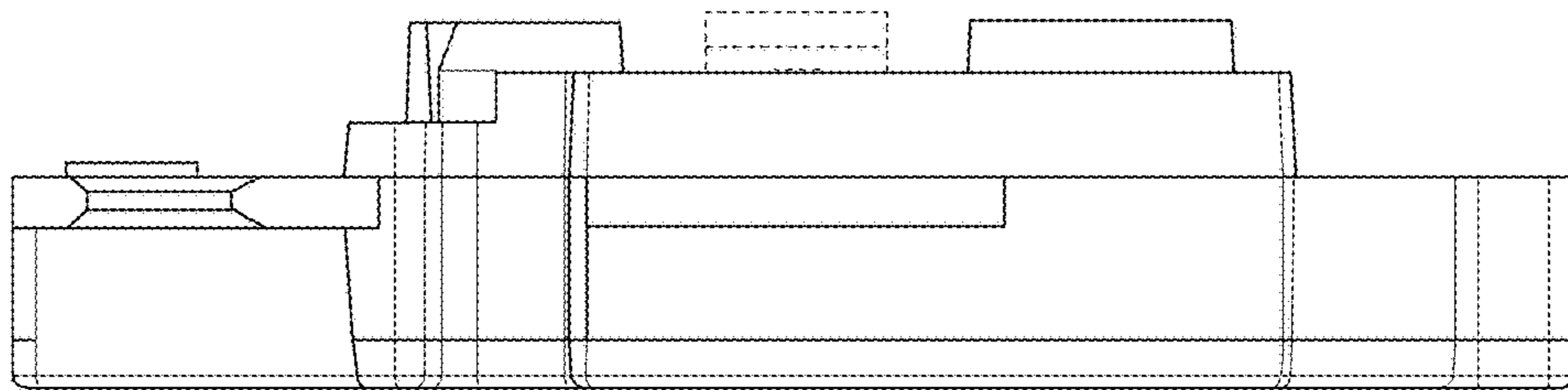


FIG. 11

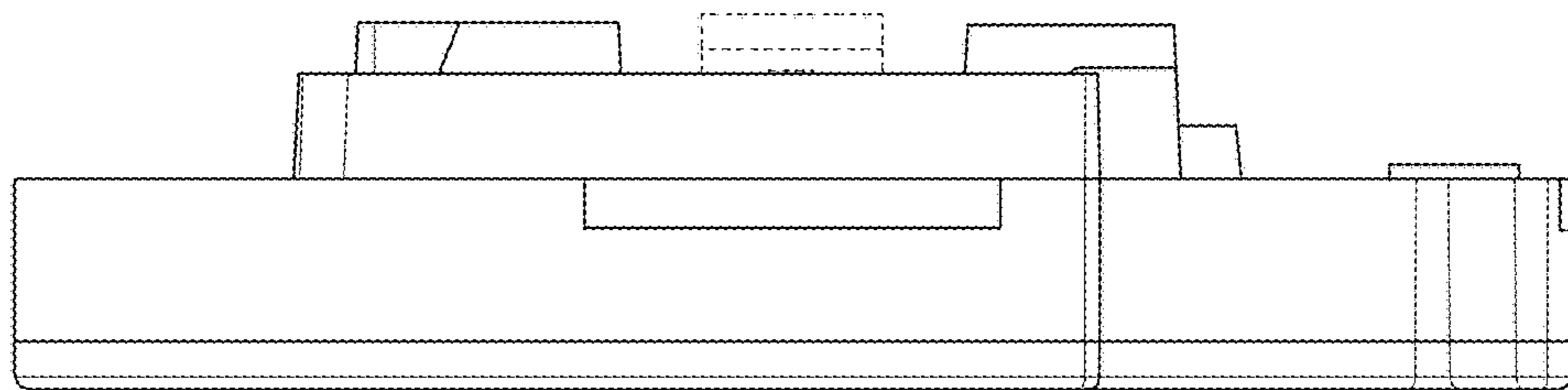


FIG. 12

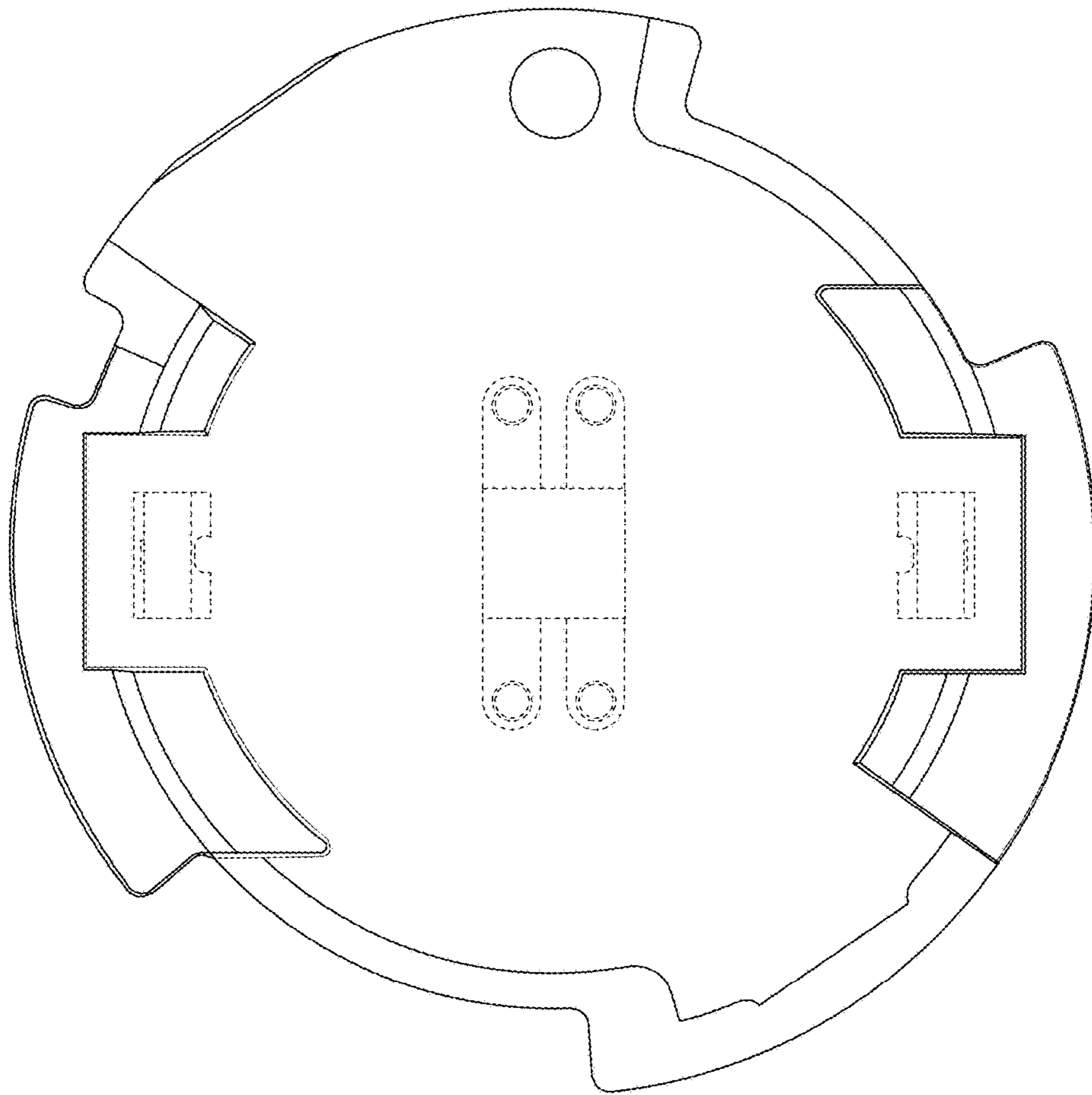


FIG. 13

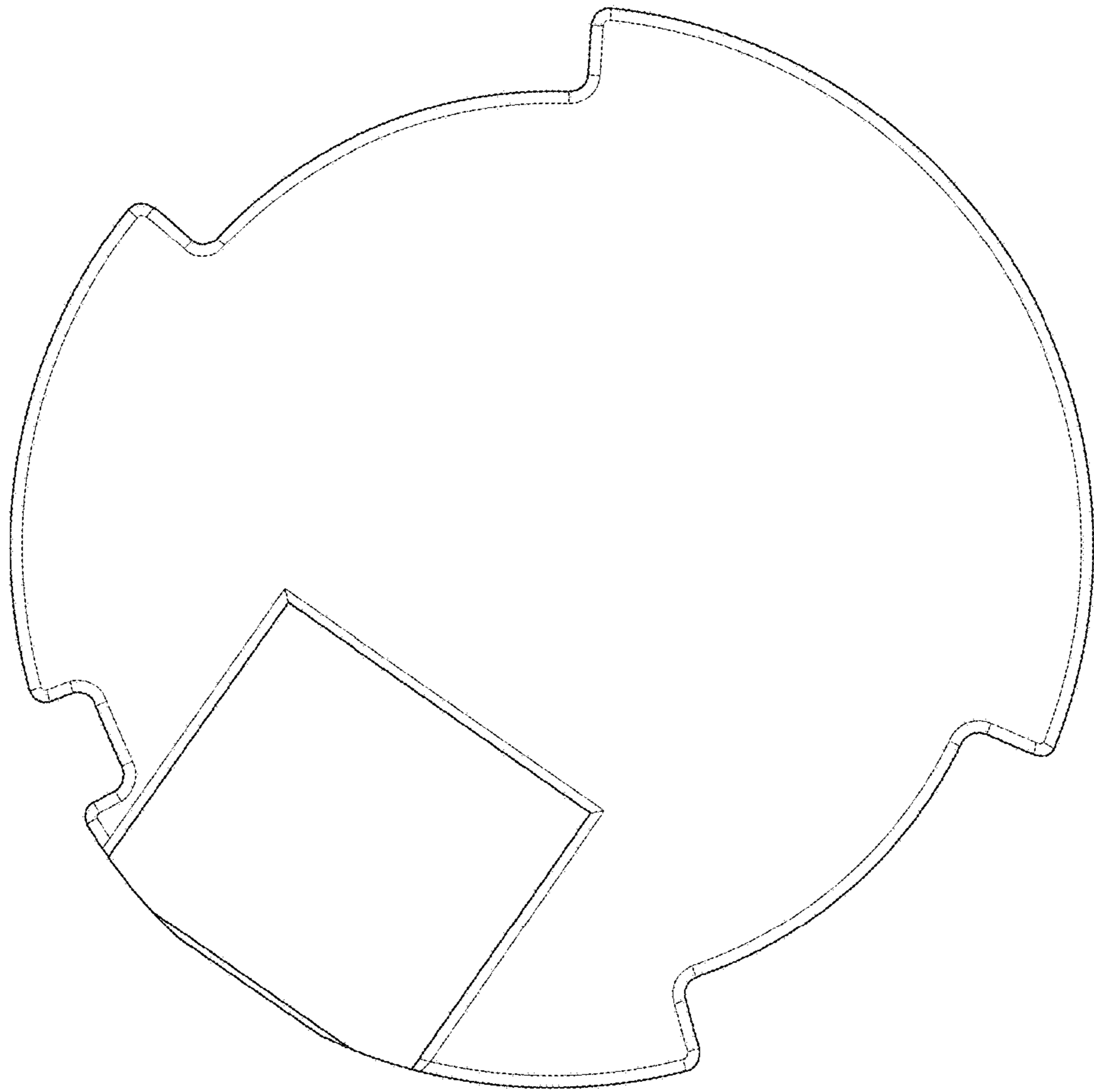


FIG. 14