



US00D856279S

(12) **United States Design Patent**  
**Chen et al.**

(10) **Patent No.:** **US D856,279 S**

(45) **Date of Patent:** **\*\* Aug. 13, 2019**

- (54) **HELICAL-BEVEL GEAR MOTOR**
- (71) Applicants: **Demu Chen**, Zhejiang (CN); **Zhiming Tong**, Zhejiang (CN); **Guangpei Fu**, Zhejiang (CN)
- (72) Inventors: **Demu Chen**, Zhejiang (CN); **Zhiming Tong**, Zhejiang (CN); **Guangpei Fu**, Zhejiang (CN)

- D652,844 S \* 1/2012 Hanitsch ..... D15/7
- D667,372 S \* 9/2012 Lannoch ..... D13/112
- D678,194 S \* 3/2013 Lannoch ..... D13/112
- D682,784 S \* 5/2013 Tomczak ..... D13/114
- D705,816 S \* 5/2014 Katada ..... D13/112
- D716,227 S \* 10/2014 Lau ..... D13/112
- D729,732 S \* 5/2015 Kasaba ..... D13/112
- D742,316 S \* 11/2015 Sato ..... D13/112
- D758,310 S \* 6/2016 Veeh ..... D13/112

(Continued)

(\*\*) Term: **15 Years**

(21) Appl. No.: **29/609,040**

(22) Filed: **Jun. 28, 2017**

(51) **LOC (12) Cl.** ..... **13-01**

(52) **U.S. Cl.**  
USPC ..... **D13/112; D15/148; D15/149**

(58) **Field of Classification Search**  
USPC ..... D13/101, 112, 113, 114, 199; D12/114, D12/124; D15/1-5, 7, 148, 149  
CPC ..... Y02T 10/6217; Y02T 10/6234; Y02T 10/7077; B60K 6/442; B60L 11/123; B60L 11/14

See application file for complete search history.

(56) **References Cited**

**U.S. PATENT DOCUMENTS**

- D273,586 S \* 4/1984 Hodgson ..... D15/1
- D429,216 S \* 8/2000 Hemphill ..... D12/114
- D431,572 S \* 10/2000 Antony ..... D15/5
- D447,148 S \* 8/2001 Antony ..... D15/7
- D511,138 S \* 11/2005 Kwan ..... D13/112
- D568,811 S \* 5/2008 Andersson ..... D13/112
- D568,812 S \* 5/2008 Andersson ..... D13/112
- D573,091 S \* 7/2008 Shih ..... D13/112
- D576,941 S \* 9/2008 Evon ..... D13/112
- D578,063 S \* 10/2008 Lannoch ..... D13/112
- D587,648 S \* 3/2009 Lannoch ..... D13/112
- D593,943 S \* 6/2009 Lannoch ..... D13/112
- D601,958 S \* 10/2009 Huan ..... D13/112
- D603,793 S \* 11/2009 Lindberg ..... D13/112

**OTHER PUBLICATIONS**

JRTR Gearmotors, posted on jie.com.cn, no posted date given, no production date given, [online], [site visited Feb. 14, 2018], Available from Internet, URL: [http://www.jie.com.cn/en/products\\_inner\\_20.html](http://www.jie.com.cn/en/products_inner_20.html) (Year: 2018).\*

(Continued)

*Primary Examiner* — Garth Rademaker  
*Assistant Examiner* — Fritzgerald L Butac  
(74) *Attorney, Agent, or Firm* — Prakash Nama; Global IP Services, PLLC

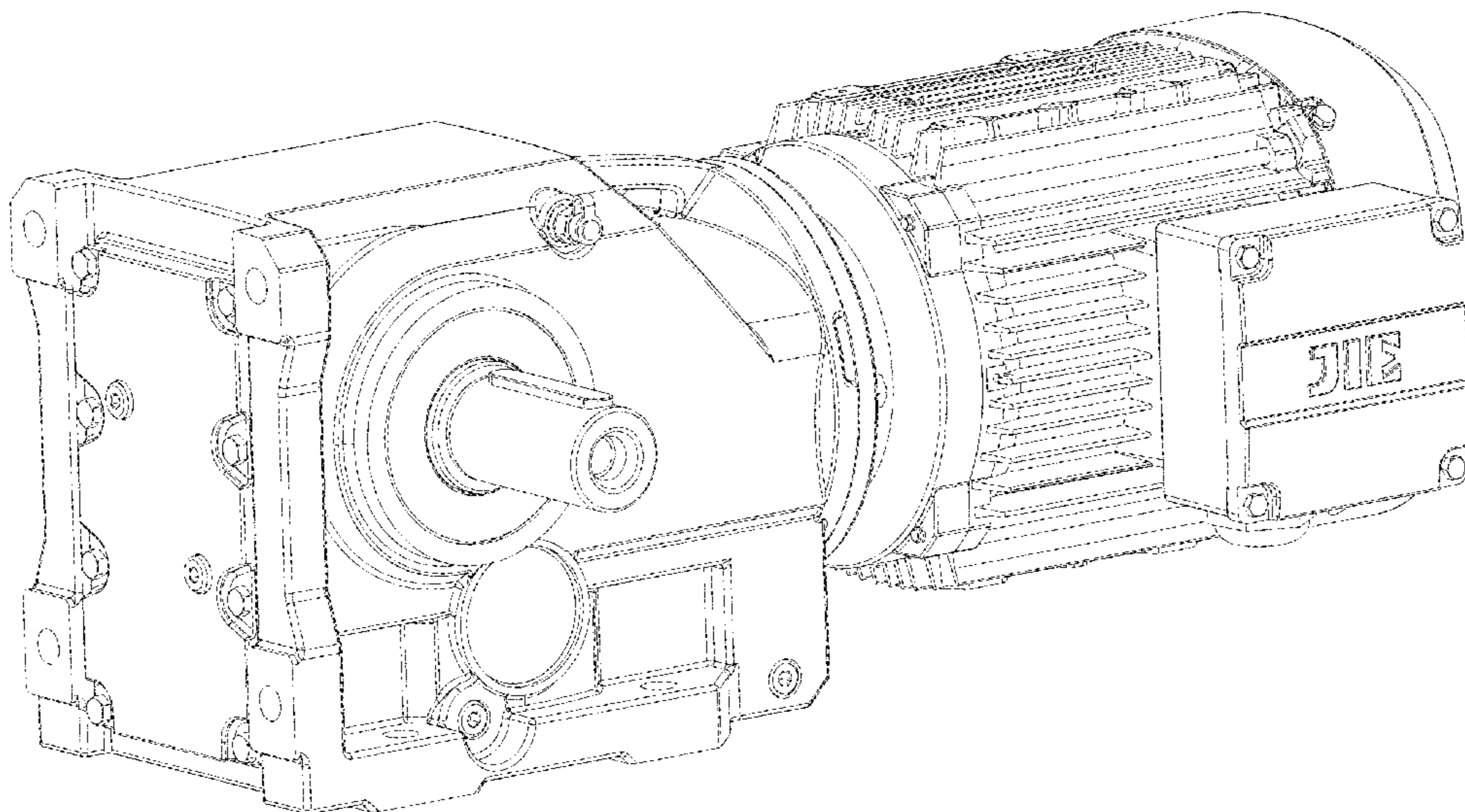
(57) **CLAIM**

The ornamental design for a helical bevel gear motor, as shown and described.

**DESCRIPTION**

FIG. 1 is a perspective view of a helical bevel gear motor showing our new design;  
FIG. 2 is another perspective view thereof;  
FIG. 3 is a rear elevational view thereof;  
FIG. 4 is a front elevational view thereof;  
FIG. 5 is a top plan view thereof;  
FIG. 6 is a bottom plan view thereof;  
FIG. 7 is a left side view in enlarge scale thereof; and,  
FIG. 8 is a right side view in enlarge scale thereof.  
The broken lines show portions of a helical-bevel gear motor that form no part of the claimed design.

**1 Claim, 8 Drawing Sheets**



(56)

**References Cited**

U.S. PATENT DOCUMENTS

D775,252 S \* 12/2016 Shentu ..... D15/149  
D776,055 S \* 1/2017 Wallace ..... D13/112  
D798,928 S \* 10/2017 Ebner ..... D15/148  
D801,926 S \* 11/2017 Sakai ..... D13/112  
D809,459 S \* 2/2018 Battistella ..... D13/112

OTHER PUBLICATIONS

Gear Motor Actuator, posted on alibaba.com, no posted date given, no production date given, [online], [site visited Feb. 14, 2018], Available from Internet, URL: [https://www.alibaba.com/product-detail/gear-motor-actuator-reducer-worm-gearmotor\\_60749358469.html?spm=a2700.7724857/](https://www.alibaba.com/product-detail/gear-motor-actuator-reducer-worm-gearmotor_60749358469.html?spm=a2700.7724857/) (Year: 2018).\*

Parallel Shaft Gearmotor, posted on alibaba.com, no posted date given, no production date given, [online], [site visited Feb. 14, 2018], Available from Internet, URL: [https://www.alibaba.com/product-detail/Parallel-Shaft-Helical-Gearmotor-F-series\\_60518178345.html?spm=a2700.7724857/](https://www.alibaba.com/product-detail/Parallel-Shaft-Helical-Gearmotor-F-series_60518178345.html?spm=a2700.7724857/) (Year: 2018).\*

\* cited by examiner

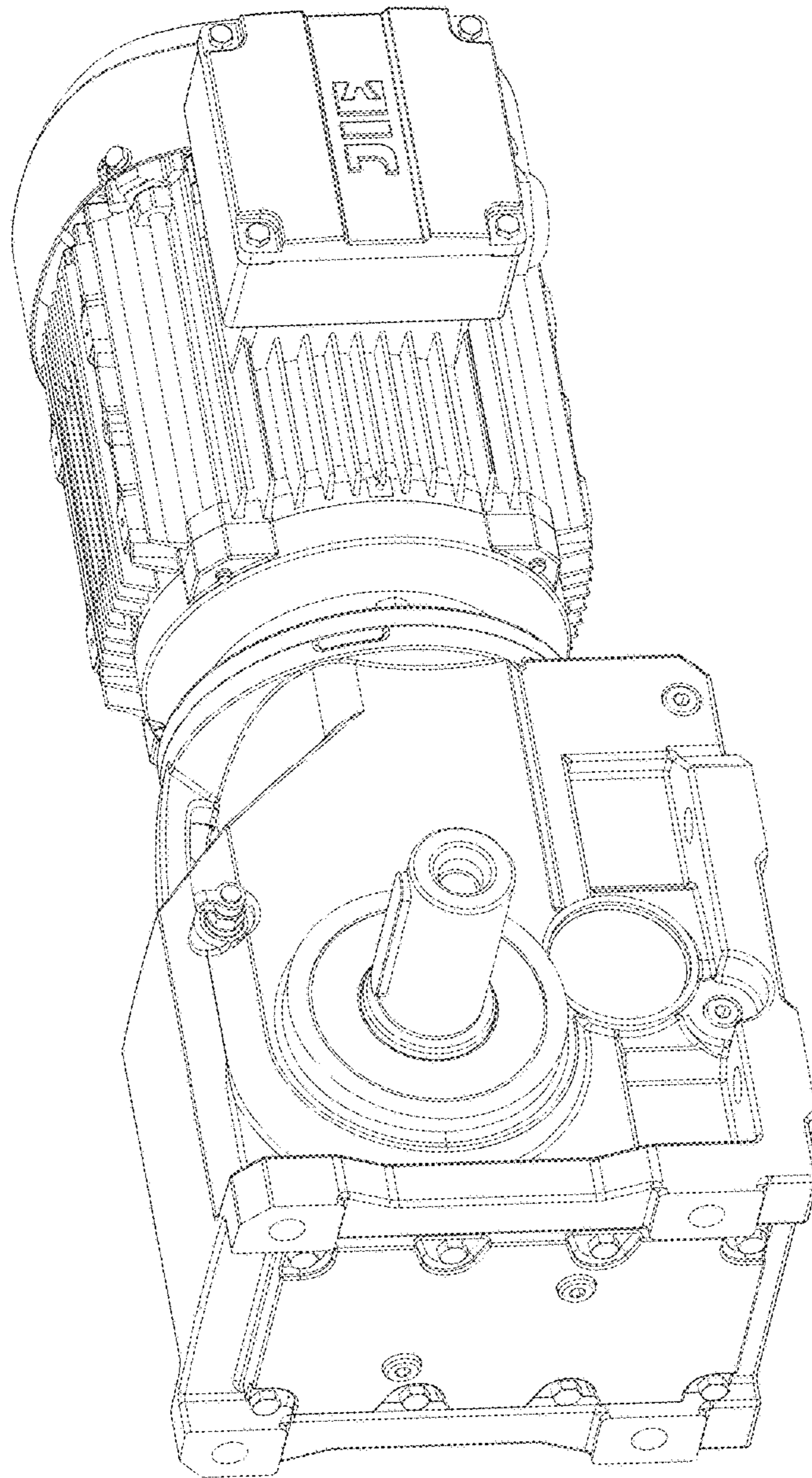


FIG. 1

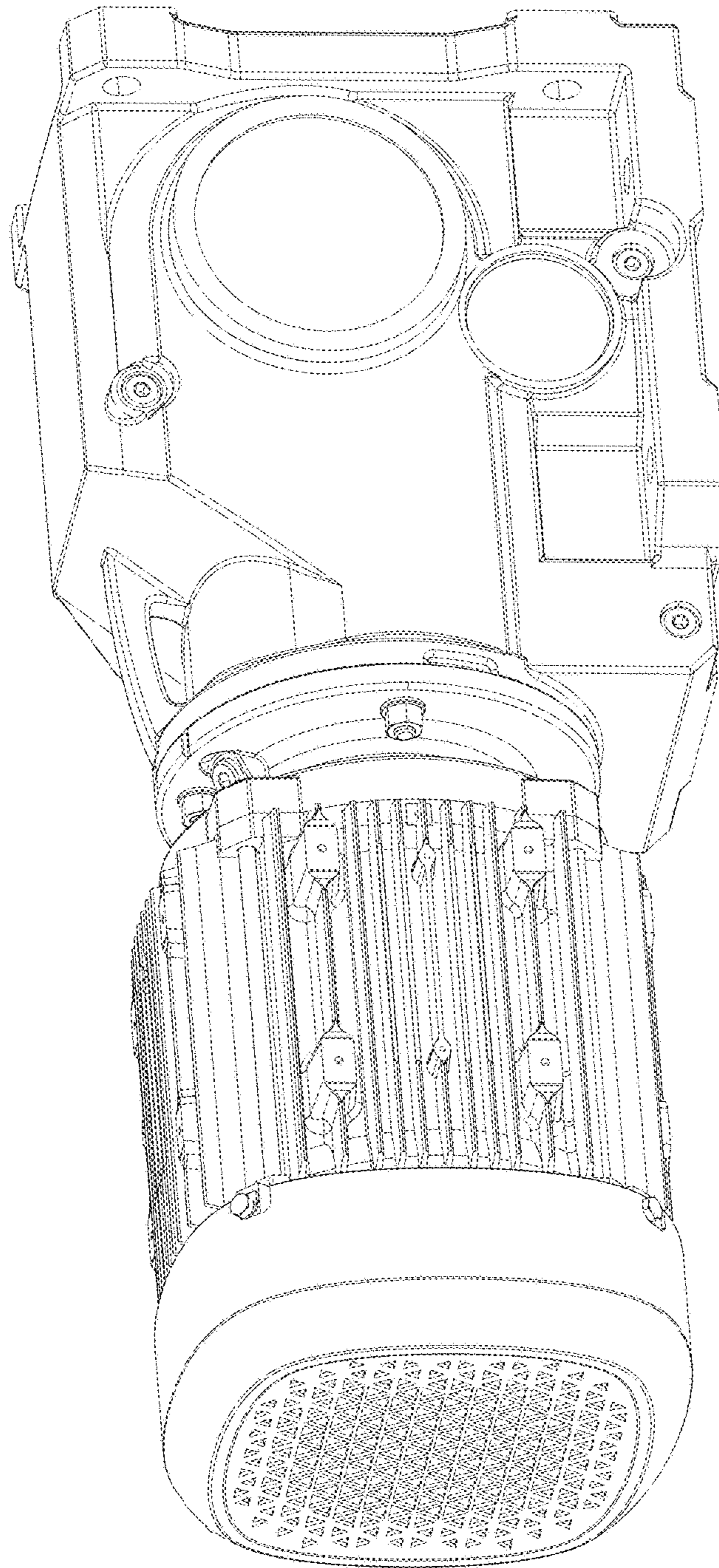


FIG. 2

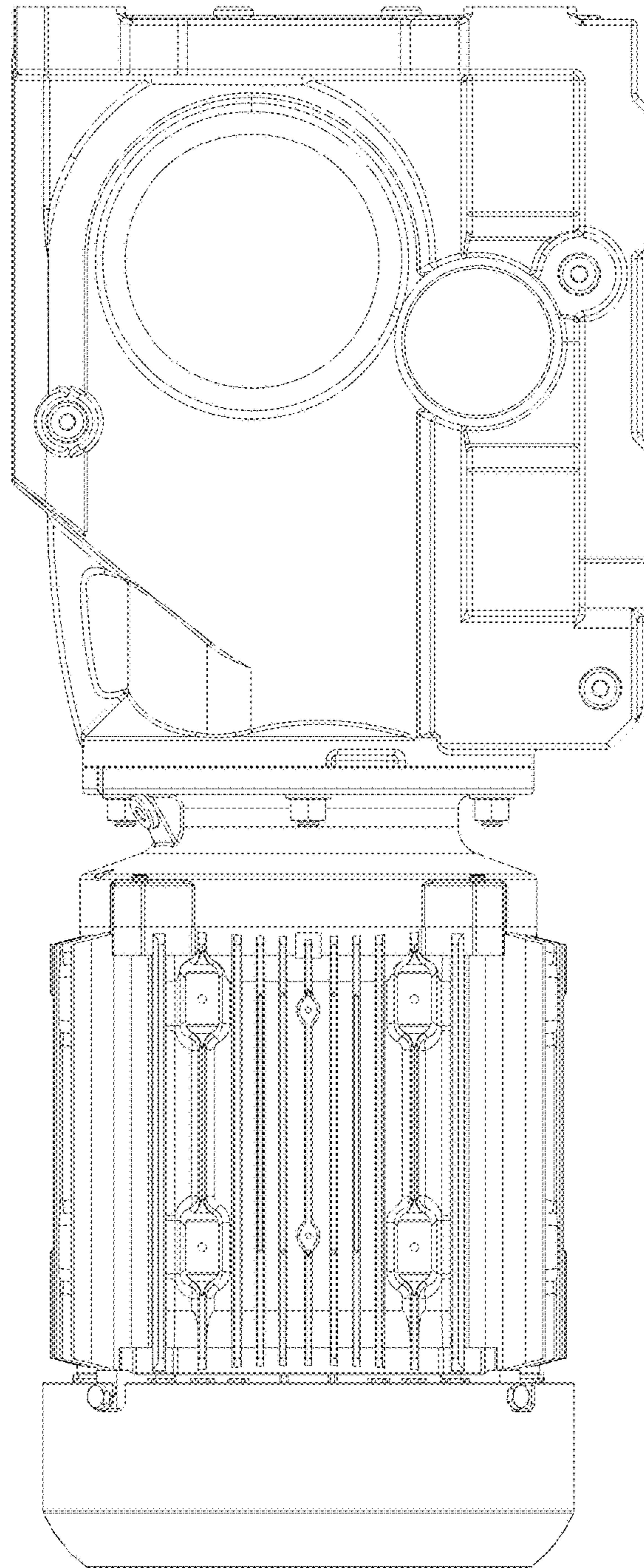


FIG. 3

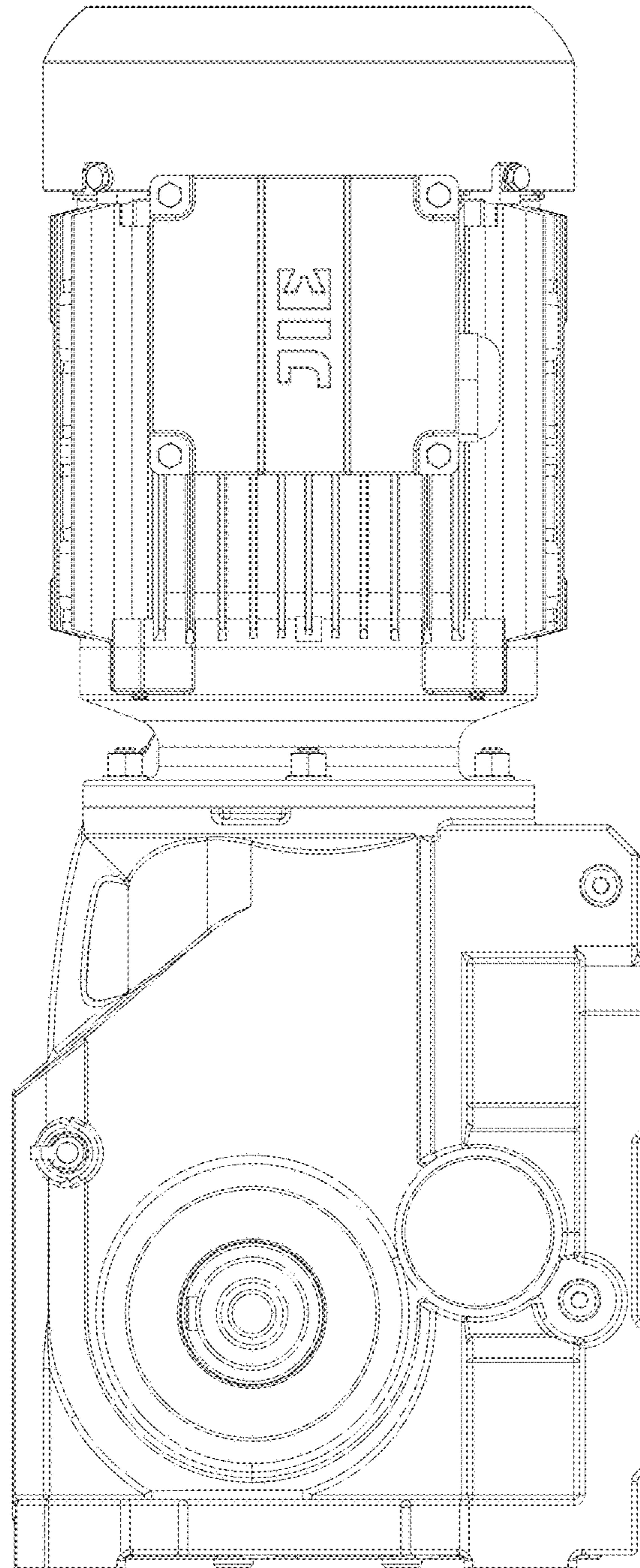


FIG. 4

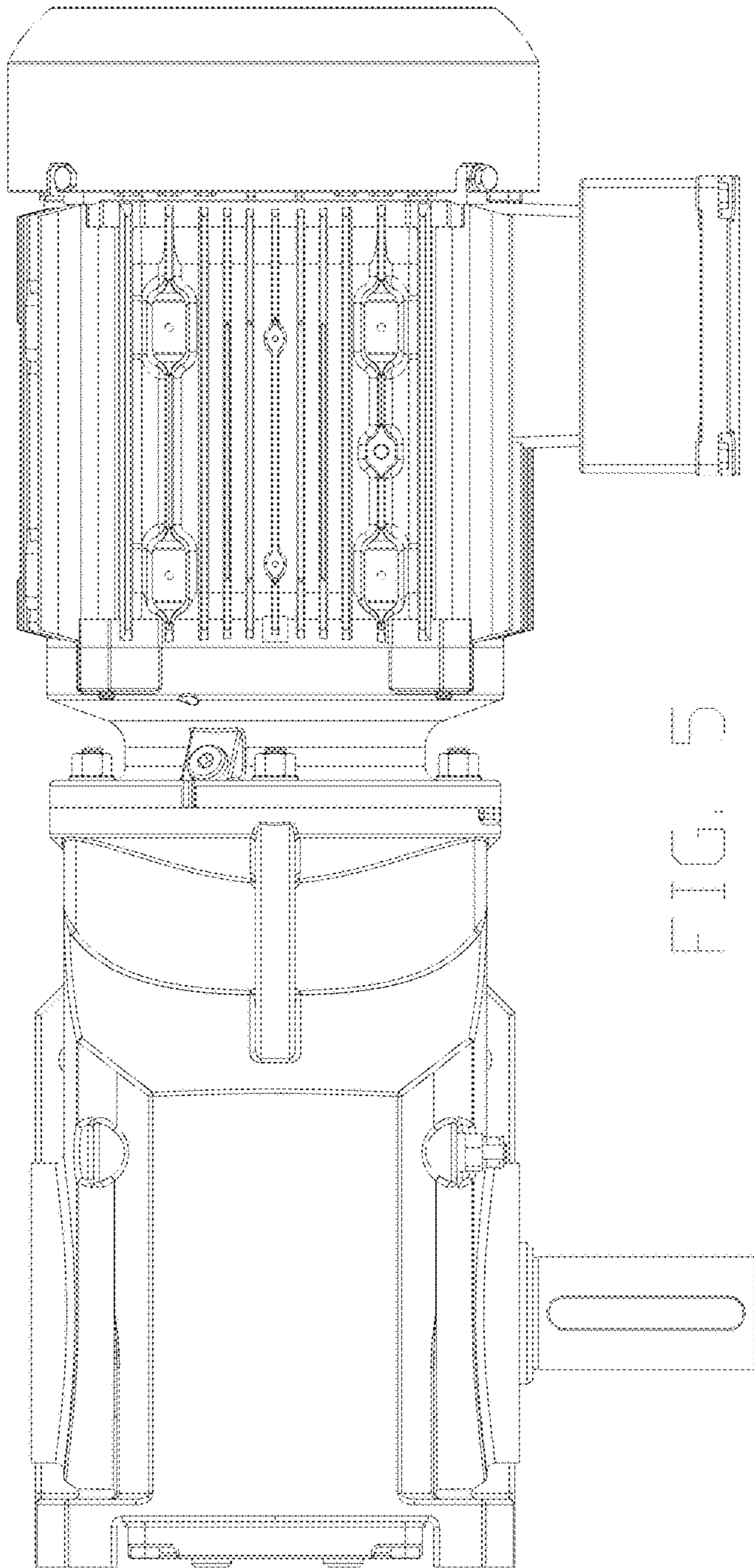


FIG. 5

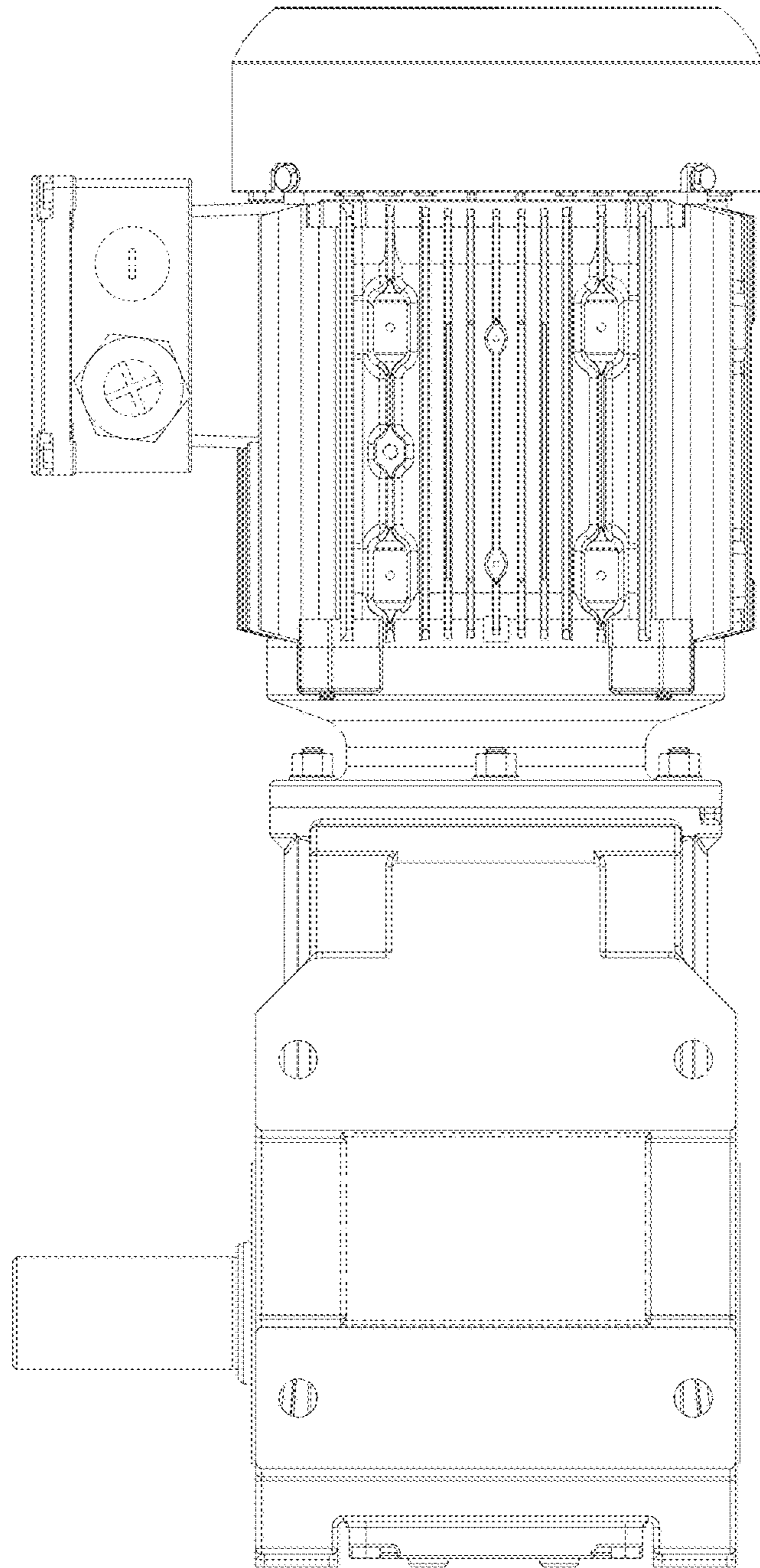


FIG. 6



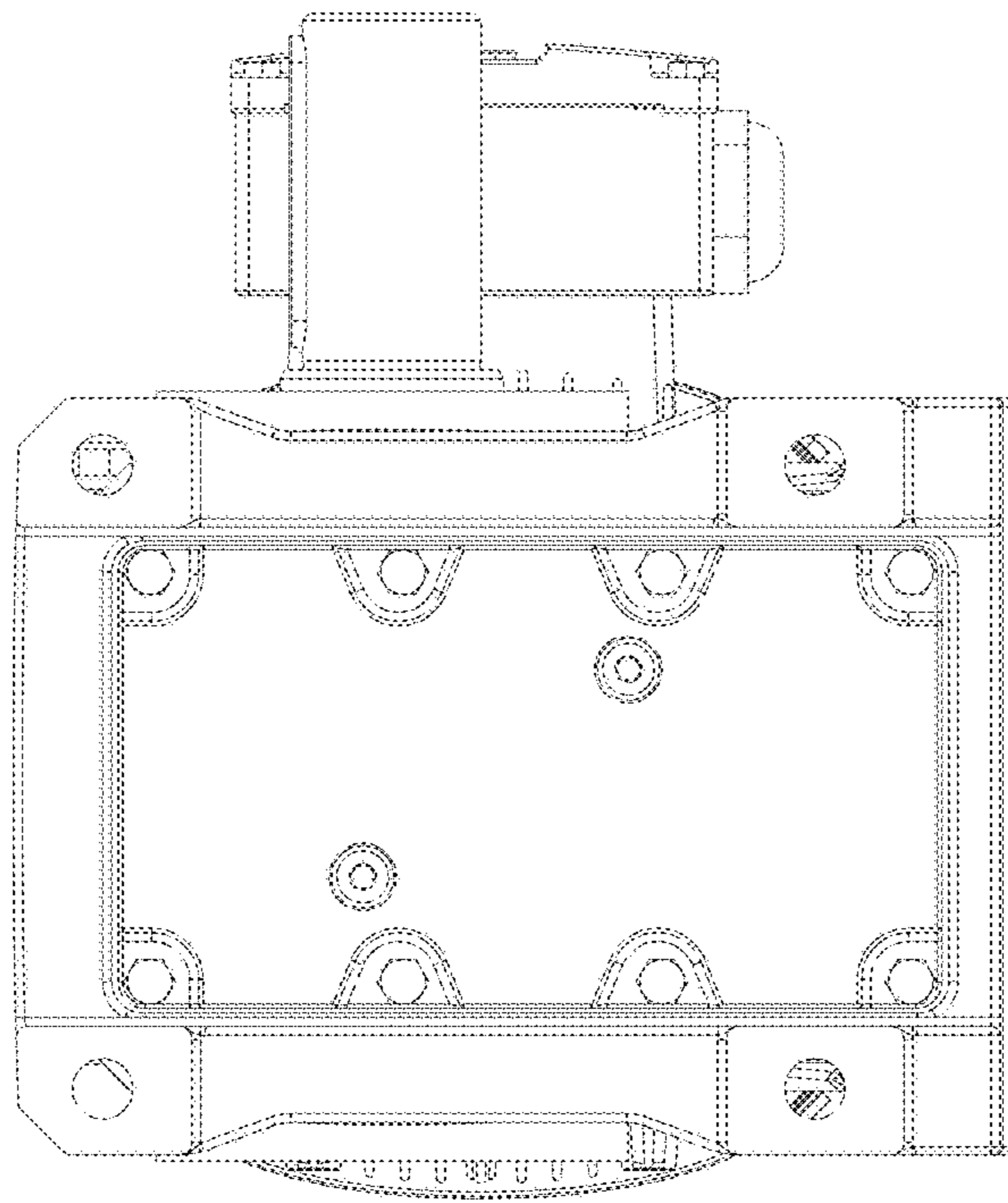


FIG. 7

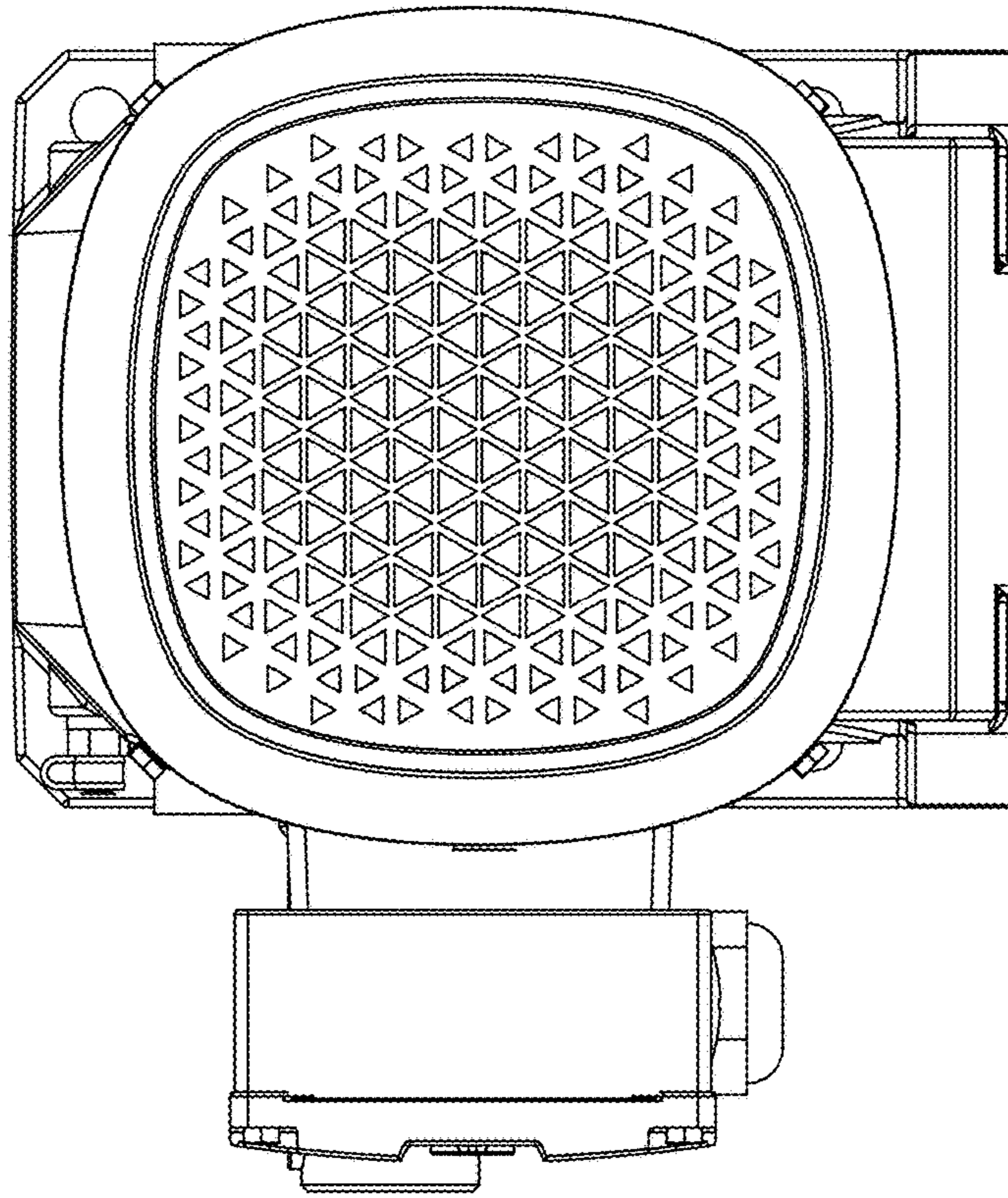


FIG. 8

UNITED STATES PATENT AND TRADEMARK OFFICE  
**CERTIFICATE OF CORRECTION**


PATENT NO. : D856,279 S  
APPLICATION NO. : 29/609040  
DATED : August 13, 2019  
INVENTOR(S) : Demu Chen, Zhiming Tong and Guangpei Fu

Page 1 of 1

It is certified that error appears in the above-identified patent and that said Letters Patent is hereby corrected as shown below:

On the Title Page

In item (71), please change the Applicant's name from "Demu CHEN", "Zhiming Tong",  
"Guangpei FU" to --HANGZHOU JIE DRIVE TECHNOLOGY CO.,LTD.--

Signed and Sealed this  
Sixteenth Day of January, 2024  
  
Katherine Kelly Vidal  
Director of the United States Patent and Trademark Office