

US00D856278S

(12) **United States Design Patent** (10) **Patent No.:** **US D856,278 S**
Turksu et al. (45) **Date of Patent:** **** Aug. 13, 2019**

(54) **MULTI-PORT ADAPTER**
(71) Applicant: **SARIANA, LLC**, San Diego, CA (US)
(72) Inventors: **Alan Turksu**, San Diego, CA (US);
Mustafa Burak Guclu, San Diego, CA (US)
(73) Assignee: **SARIANA, LLC**, San Diego, CA (US)
(**) Term: **15 Years**

1,646,562 A 10/1927 Snow
1,671,862 A 5/1928 Heinz et al.
D137,618 S 4/1944 Rolfes
D147,151 S 7/1947 Schinske
2,436,292 A 2/1948 De Mott
2,629,023 A 2/1953 La Fitte
2,878,324 A 3/1959 Guerrero
2,987,585 A 6/1961 Abysalh
3,224,644 A 12/1965 Davis
(Continued)

(21) Appl. No.: **29/626,753**
(22) Filed: **Nov. 20, 2017**
(51) **LOC (12) Cl.** **13-02**
(52) **U.S. Cl.**
USPC **D13/108**
(58) **Field of Classification Search**
USPC D13/103, 107-108, 110, 146; D14/356,
D14/432, 433, 434; D27/162, 167;
D7/512, 513, 700
CPC Y02E 60/10; Y02E 60/12; Y02E 60/122;
Y02E 60/124; Y02E 60/50; H01M 2/02;
H01M 2/022; H01M 2/0202; H01M
2/0207; H01M 2/0212; H01M 2/1061;
H01M 2/1022; H01M 2/1055; H01M
2/1066; H01M 2/105; H01M 2/20; H01M
2/202; H01M 2/204; H01M 2/206; H01M
10/44; H01M 10/46; H01M 10/465;
H01M 10/482; H01M 2200/30; H01M
2250/30; H01M 2250/40; H02J 7/00;
H02J 7/0003; H02J 7/0011; H02J 7/0013;
H02J 7/0054; H02J 7/0055; H02J 7/0057;
H02J 2007/0062

See application file for complete search history.

(56) **References Cited**
U.S. PATENT DOCUMENTS

1,165,840 A 12/1915 Brutus
1,359,347 A 11/1920 Fleisher
1,475,605 A 11/1923 Smith
1,550,588 A 8/1925 Soldani

OTHER PUBLICATIONS

Satechi Aluminum Multi-Port Adapter V2-4K HDMI, Satechi, first listed on amazon.com on Sep. 7, 2017, retrieved on Dec. 3, 2018, retrieved from the Internet URL: https://www.amazon.com/Satechi-Aluminum-Multi-Port-Ethernet-Pass-Through/dp/B075FW7H5J/ref=sr_1_3?ie=UTF8&qid=1543853703&sr=8-3&keywords=satechi+adapter.*

(Continued)

Primary Examiner — Jennifer Rivard
Assistant Examiner — Alison M Ofstun
(74) *Attorney, Agent, or Firm* — Wagenknecht IP Law Group PC

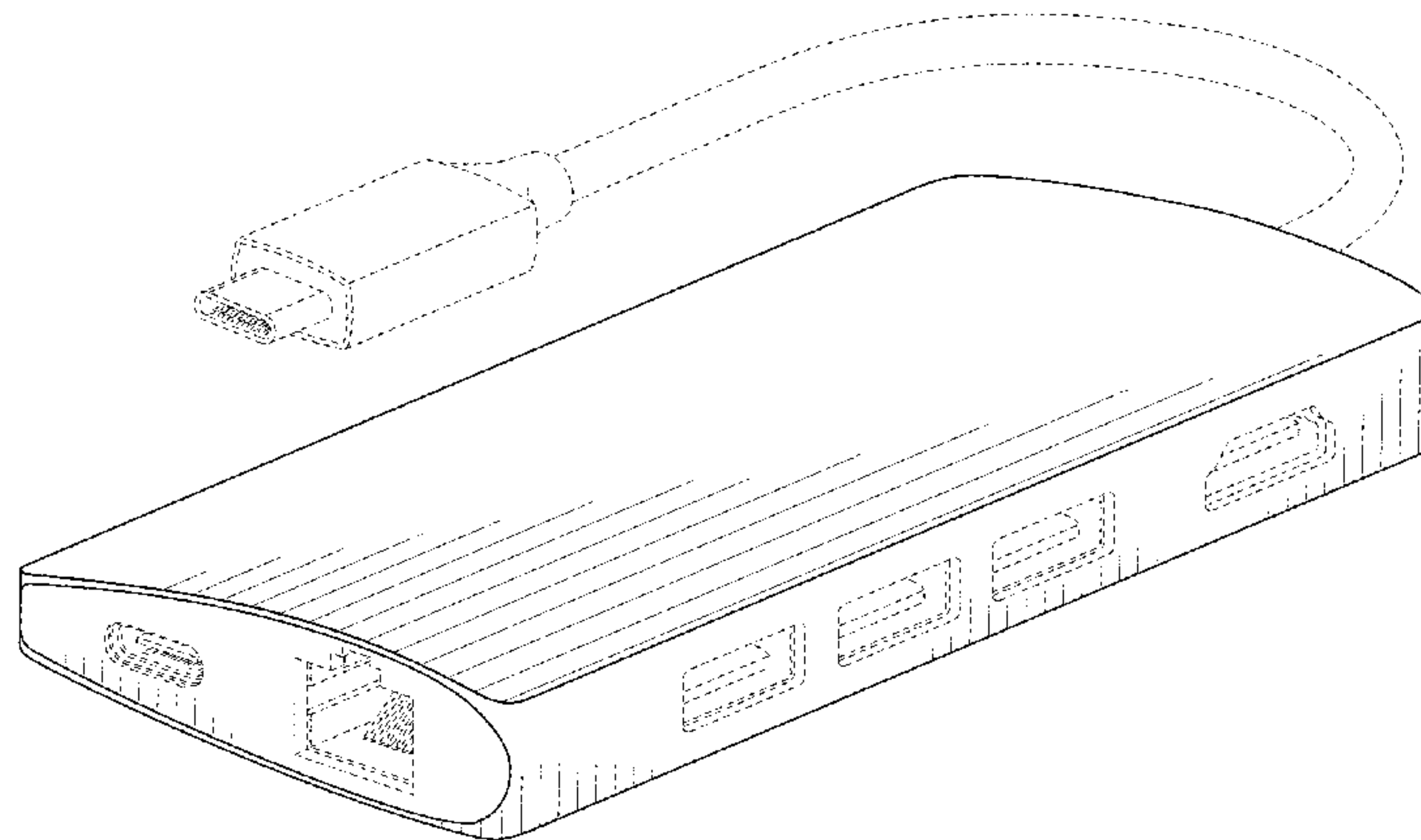
(57) **CLAIM**

The ornamental design for a multi-port adapter, as shown and described.

DESCRIPTION

FIG. 1 is a front, top, right perspective view of a multi-port adapter showing our new design;
FIG. 2 is a rear, top, right perspective view thereof;
FIG. 3 is a top plan view thereof;
FIG. 4 is a bottom plan view thereof;
FIG. 5 is a front elevational view thereof;
FIG. 6 is a rear elevational view thereof;
FIG. 7 is a right side elevational view thereof; and,
FIG. 8 is a left side elevational view thereof.
The broken lines in the figures represent portions of the article which form no part of the claimed design.

1 Claim, 6 Drawing Sheets



(56)

References Cited

U.S. PATENT DOCUMENTS

3,693,923 A	9/1972	Ayoub et al.	D600,925 S	9/2009	Guffey et al.
3,695,568 A	10/1972	Hogrebe	D601,564 S	10/2009	Maeno
D227,117 S	6/1973	Breger	D602,008 S	10/2009	Bentley et al.
D230,014 S	1/1974	Edgell, Sr.	D602,911 S	10/2009	Wang et al.
4,060,697 A	11/1977	Neal	D602,917 S	10/2009	Bentley
D254,594 S	4/1980	Picard	D602,940 S	10/2009	McLean
D273,840 S	5/1984	Morita	D604,725 S	11/2009	Chen
4,527,018 A	7/1985	Offredi	D606,549 S	12/2009	He
D285,772 S	9/1986	Oliver	D610,156 S	2/2010	Mudrick
D286,636 S	11/1986	Cooke et al.	D627,306 S	11/2010	Charleux
4,856,746 A	8/1989	Wrobel	7,841,876 B2	11/2010	Lin
D308,870 S	6/1990	Rioum	D635,978 S	4/2011	Chen
D320,992 S	10/1991	Jondelius	D641,753 S	7/2011	Obata
5,095,382 A	3/1992	Abe	D642,585 S	8/2011	Lan et al.
D325,578 S	4/1992	Daido et al.	D645,027 S	9/2011	Mistry et al.
D329,370 S	9/1992	Manning	D646,683 S	10/2011	Tao et al.
5,144,290 A	9/1992	Honda	D657,305 S *	4/2012	Nomi D13/102
D341,567 S *	11/1993	Acker D13/110	D658,640 S	5/2012	Ivaskevicius
5,367,570 A	11/1994	Figueroa	D659,087 S *	5/2012	Nomi D13/102
D353,532 S	12/1994	Miller	D659,094 S	5/2012	Brand et al.
D355,913 S	2/1995	Chong	D661,249 S	6/2012	Smith et al.
D357,016 S	4/1995	Li et al.	D662,089 S	6/2012	Mistry et al.
D357,248 S	4/1995	Cheng	D663,300 S *	7/2012	Kim D14/407
D361,987 S	9/1995	Yamazaki	D664,146 S	7/2012	Hoehn
D369,149 S	4/1996	Chang et al.	D665,734 S	8/2012	Fitch
D371,793 S	7/1996	Patton	D669,473 S	10/2012	Gronau et al.
D387,784 S	12/1997	Nakamura	D669,888 S	10/2012	Mistry et al.
D395,280 S	6/1998	Phelps	D670,291 S	11/2012	Dalton
D400,429 S	11/1998	Morita	D670,297 S	11/2012	Huang
D405,064 S	2/1999	Iino	D671,096 S	11/2012	Song et al.
D407,985 S	4/1999	Pimentel	D671,528 S	11/2012	Fathollahi
D413,574 S	9/1999	Goto	D677,259 S	3/2013	van der Lande
D426,491 S	6/2000	Chan	D678,286 S	3/2013	Cheng
D430,882 S	9/2000	Tsai	D683,251 S	5/2013	Dumas et al.
D432,496 S	10/2000	Collins	D684,145 S	6/2013	Rath
D433,005 S	10/2000	McGugan	D685,806 S	7/2013	Kim et al.
D435,835 S	1/2001	Steck	D687,009 S	7/2013	Song et al.
D438,451 S	3/2001	Reiter	D688,198 S	8/2013	Takeshita et al.
D441,639 S	5/2001	Reiter	D688,248 S	8/2013	Tsuda et al.
6,321,340 B1	11/2001	Shin et al.	D688,255 S	8/2013	Daniel
D454,482 S	3/2002	Morita	8,512,079 B2	8/2013	Vroom et al.
D461,400 S	8/2002	Aoki	D689,858 S	9/2013	Lo et al.
D461,794 S	8/2002	Polito et al.	D690,707 S	10/2013	Minn et al.
D464,562 S	10/2002	Reiter	D691,879 S	10/2013	Bernard
D464,972 S	10/2002	Carrasco, Jr.	D691,947 S	10/2013	Cole
D478,086 S	8/2003	Chuang	D692,024 S	10/2013	Seong et al.
D478,087 S	8/2003	Aldridge	D693,768 S	11/2013	Alesi et al.
6,612,534 B2	9/2003	Hennessey	D696,673 S	12/2013	Vogel
D482,674 S	11/2003	Rath et al.	D700,904 S	3/2014	Miller et al.
D484,128 S	12/2003	Chung	D701,838 S	4/2014	Esse
D492,307 S	6/2004	Aqqad et al.	D702,146 S	4/2014	Giovanni
D496,029 S	9/2004	Skulley et al.	D702,242 S	4/2014	Tsuda et al.
D511,985 S	11/2005	Kelly	D703,676 S	4/2014	Smith
D512,417 S	12/2005	Hirakawa et al.	D704,177 S	5/2014	Chun et al.
D515,040 S	2/2006	Jones et al.	D705,189 S	5/2014	Chovin
D518,030 S	3/2006	Lin	D705,748 S	5/2014	He
D522,531 S	6/2006	Solomon et al.	D706,248 S	6/2014	Myung
D526,973 S	8/2006	Gates et al.	D706,249 S	6/2014	Holzer
D530,525 S	10/2006	Greene	8,758,032 B2	6/2014	Liang
D553,106 S	10/2007	Griffin	D709,066 S	7/2014	Byun
D554,115 S	10/2007	Liu	D709,892 S	7/2014	Lui
D559,848 S	1/2008	Siu	8,777,656 B2	7/2014	Kuo
D559,849 S	1/2008	Siu	D711,884 S	8/2014	Turksu
D559,850 S	1/2008	Lye	8,838,029 B2	9/2014	Goldman et al.
D560,165 S	1/2008	Matityahu	D715,132 S	10/2014	McSweyn et al.
D561,345 S	2/2008	Flick	D715,797 S	10/2014	Hiraga
D564,501 S	3/2008	Rath	D717,803 S	11/2014	Takano et al.
D580,436 S	11/2008	Kiyomiya	D718,612 S	12/2014	McSweyn et al.
D587,706 S *	3/2009	Maiers D14/356	D720,691 S	1/2015	Lo et al.
7,499,271 B2	3/2009	Wagatsuma et al.	D720,755 S	1/2015	Nokuo
D591,270 S	4/2009	Jakobson	D724,080 S	3/2015	Lin et al.
D593,103 S	5/2009	Richter	D725,088 S	3/2015	Kwak et al.
D593,998 S	6/2009	Bentley et al.	D726,161 S	4/2015	Howard et al.
D595,697 S	7/2009	Mao et al.	D727,906 S	4/2015	Neumann
D599,331 S	9/2009	Bentley et al.	D728,467 S	5/2015	Hasbrook
			D729,277 S	5/2015	Uchida
			D729,773 S	5/2015	Salojarvi et al.
			D733,043 S	6/2015	Hasbrook et al.
			D733,144 S	6/2015	Kostrzewski et al.

(56)

References Cited

U.S. PATENT DOCUMENTS

D736,150 S 8/2015 Liu
 D737,201 S 8/2015 Liu
 D739,708 S 9/2015 McSweyn et al.
 D740,291 S 10/2015 Turksu
 D743,382 S 11/2015 Katori
 D743,924 S 11/2015 Hillenmayer
 D743,954 S 11/2015 Chuang et al.
 D746,165 S 12/2015 Li
 D746,166 S 12/2015 Li
 D747,229 S 1/2016 Perez
 D747,984 S 1/2016 Zhao et al.
 D750,083 S 2/2016 Chow
 D750,612 S 3/2016 Chen
 D750,633 S 3/2016 Minn et al.
 D751,527 S 3/2016 Hinokio
 D751,564 S 3/2016 Hahn
 D753,090 S 4/2016 Langhammer et al.
 D754,131 S 4/2016 Shim
 D756,367 S 5/2016 Kim
 D762,170 S * 7/2016 Lei D13/108
 D763,790 S * 8/2016 Lei D13/108
 D765,623 S 9/2016 Yang et al.
 D765,651 S 9/2016 Liu et al.
 D766,844 S 9/2016 Turksu et al.
 D767,486 S 9/2016 Yu
 9,441,659 B2 9/2016 Ortwein
 D769,860 S 10/2016 Xiao
 D772,216 S 11/2016 Lau
 D772,879 S 11/2016 Eliyahu
 D774,514 S 12/2016 Turksu et al.
 D775,534 S 1/2017 Turksu et al.
 D776,659 S 1/2017 Hou
 D778,714 S 2/2017 McSweyn et al.
 D779,478 S 2/2017 Justiss
 D779,493 S 2/2017 Eliyahu
 D780,116 S * 2/2017 Bing D13/107
 D780,168 S 2/2017 Du
 D780,186 S 2/2017 Lee
 D781,297 S 3/2017 Liao
 D782,462 S 3/2017 Huang
 D782,476 S 3/2017 Yamazaki
 D782,485 S 3/2017 Cai
 D782,901 S 4/2017 Richter
 D783,592 S 4/2017 Ju
 D786,874 S 5/2017 Eliyahu
 D786,885 S * 5/2017 Eliyahu D14/480.1
 D788,080 S 5/2017 Turksu et al.
 D788,112 S 5/2017 Liao
 D789,348 S 6/2017 Kim
 9,690,743 B2 6/2017 Eliyahu
 D791,070 S * 7/2017 Son D13/103
 D791,138 S * 7/2017 Eliyahu D14/435.1
 D793,397 S 8/2017 Eliyahu
 D794,028 S 8/2017 Lin
 D795,876 S 8/2017 Fletcher
 D797,747 S 9/2017 Xu
 D798,301 S 9/2017 Kujawski et al.
 D798,811 S 10/2017 Liao
 D799,423 S 10/2017 Eliyahu
 D799,463 S 10/2017 Deng
 D799,464 S 10/2017 Zaihui
 D800,730 S 10/2017 Liao
 D802,404 S 11/2017 Turksu et al.
 D803,779 S * 11/2017 Jung D13/107
 D809,793 S * 2/2018 Hahn D3/249
 D812,577 S 3/2018 Turksu et al.
 D813,805 S 3/2018 Zhong

D813,875 S 3/2018 Liao
 D814,413 S 4/2018 Zhong
 D815,036 S * 4/2018 Martorell D13/108
 D815,639 S 4/2018 Lau
 D816,027 S 4/2018 Chen
 D816,030 S 4/2018 Sumida
 D820,264 S 6/2018 Lai
 D824,328 S * 7/2018 Liu D13/108
 D826,942 S 8/2018 Lu
 D828,839 S 9/2018 Zhang
 D828,840 S 9/2018 Zhang
 D828,841 S 9/2018 Zhang
 D829,215 S 9/2018 Magargee
 D829,216 S 9/2018 Belitz
 D829,725 S 10/2018 Luo
 D836,640 S 12/2018 Hou
 D839,869 S 2/2019 Wang
 D839,876 S 2/2019 Turksu
 2002/0003875 A1 1/2002 Stewart et al.
 2003/0148656 A1 * 8/2003 Huang H01R 13/6658
 439/501
 2005/0245254 A1 11/2005 Hall
 2010/0315041 A1 12/2010 Tan
 2012/0255505 A1 10/2012 Gauthier
 2013/0072042 A1 3/2013 Liao
 2013/0130524 A1 5/2013 Wang
 2013/0224976 A1 8/2013 Yu et al.
 2013/0272775 A1 10/2013 Ortwein
 2013/0292481 A1 11/2013 Filson
 2014/0138419 A1 5/2014 Minn et al.
 2015/0171386 A1 * 6/2015 Yang H01M 2/1022
 429/163
 2017/0035172 A1 2/2017 Kim
 2017/0170858 A1 6/2017 Tiller et al.
 2017/0223862 A1 8/2017 Justiss

OTHER PUBLICATIONS

Turksu et al. "Certificate of Registration for European Community Design Registration No. 003618826-0001," Registration Date: Jan. 11, 2017. EUIPO.
 Turksu et al. "Certificate of Registration for European Community Design Registration No. 003618834-0001," Registration Date: Jan. 11, 2017. EUIPO.
 Sariana, LLC, Registration U.S. Pat. No. 5,134,820, Jan. 31, 2017.
 Wong, Thomas. "Quick Look: Satechi Premium 4 Port Aluminum," [retrieved from Internet] <http://iSource.com/2012/07/04/quick-look-satechi-premium-4-port-aluminum-usb-hub/>, Jul. 4, 2012 [retrieved from Internet on Nov. 1, 2017] 13 pgs.
 UGREEN USB C Hub VGA Type C Multiport Adapter, UGREEN, first available on amazon.com on Apr. 7, 2018, retrieved on Dec. 3, 2018, [retrieve from the Internet], URL: https://www.amazon.com/UGREEN-Multiport-Delivery-Charging-Chromebook/dp/B076WX1VKZ/ref=sr_1_1_sspa?ie=UTF8&qid=1543851422&sr=8-1spons&keywords=ugreen+adapte.
 Satechi R1 Arm Series Review, YouTube online, post date Mar. 27, 2012, [URL: <https://www.youtube.com/watch?v=edjrferhELk>].
 Aceluxe Arm R1 Hinge Holder Stand for Table Device and Any Smartphone, amazon online, no post date, [URL: <https://uedata.amazon.com/Aceluxe-Holder-Tablet-Device-Smartphone/dp/B014I15SYY>] [Retreived from internet on Feb. 12, 2019].
 Pecham Multi-Angle Stand for Cell Phone, amazon online, first review with picture posted Jun. 28, 2017 [URL: <https://www.amazon.com/PECHAM-Multi-Angle-Nintendo-Smartphones-Universal/dp/B072JCY5XY>] [Retreived from Internet on Feb. 12, 2019].

* cited by examiner

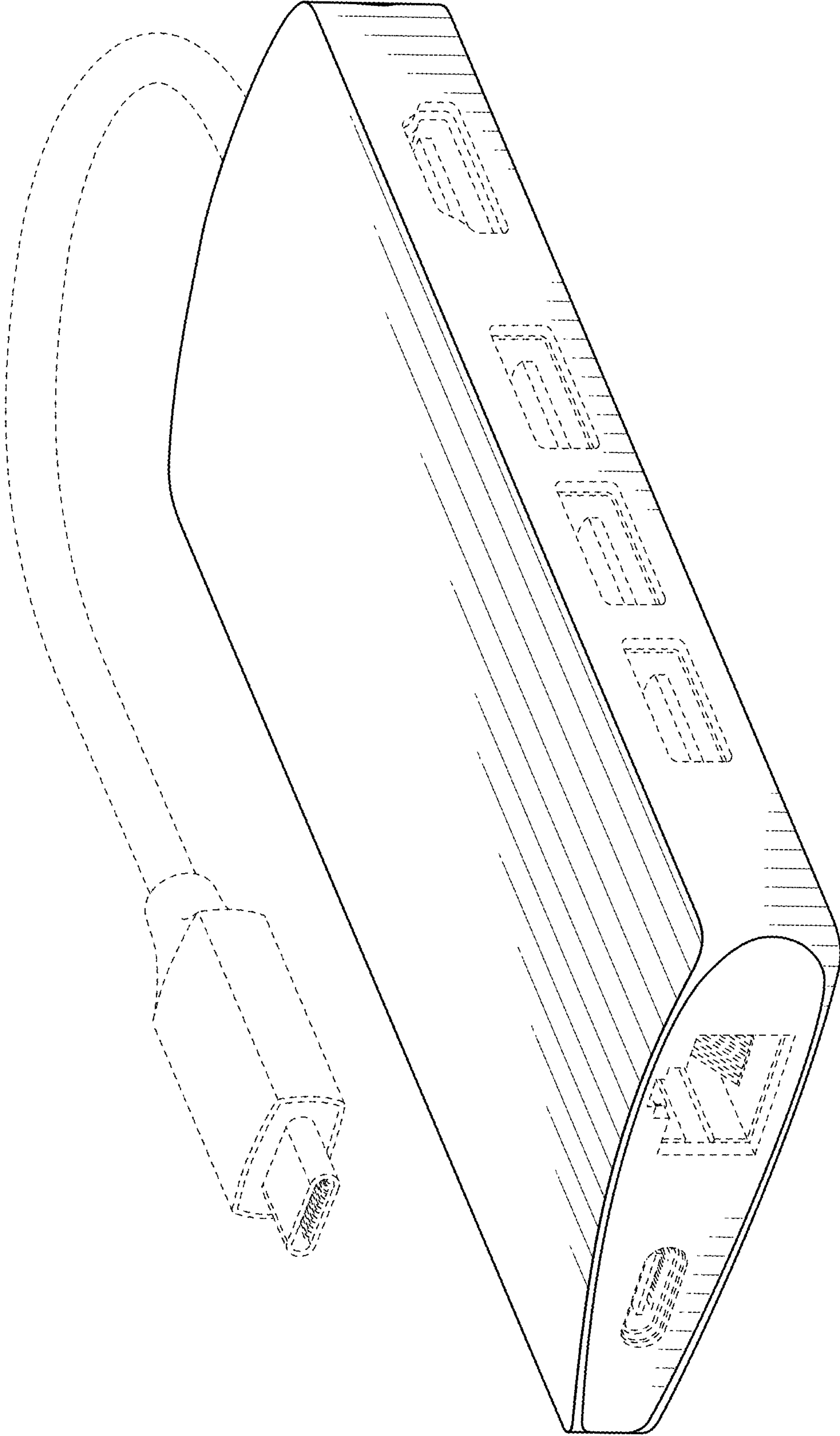


FIG. 1

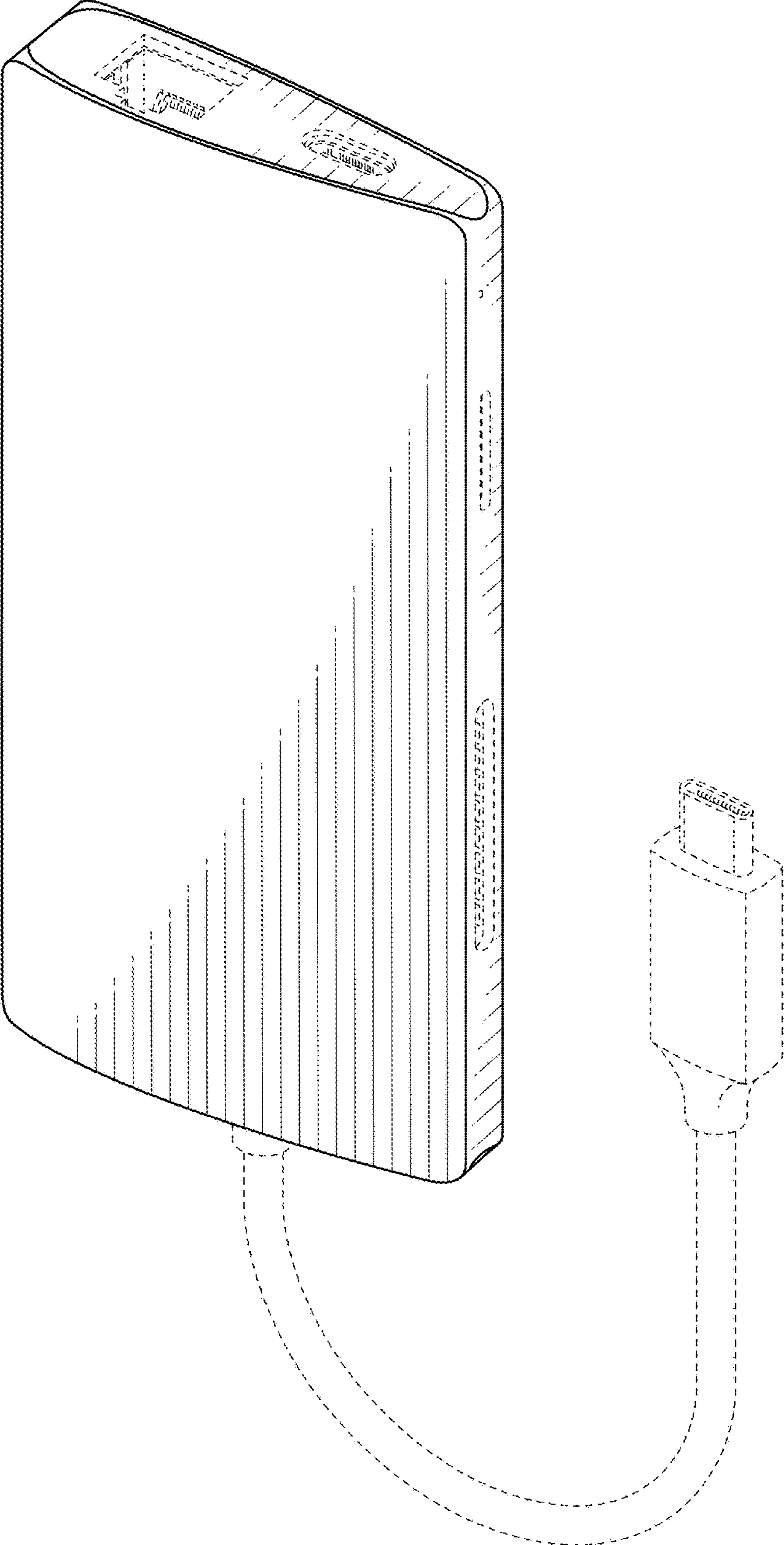


FIG. 2

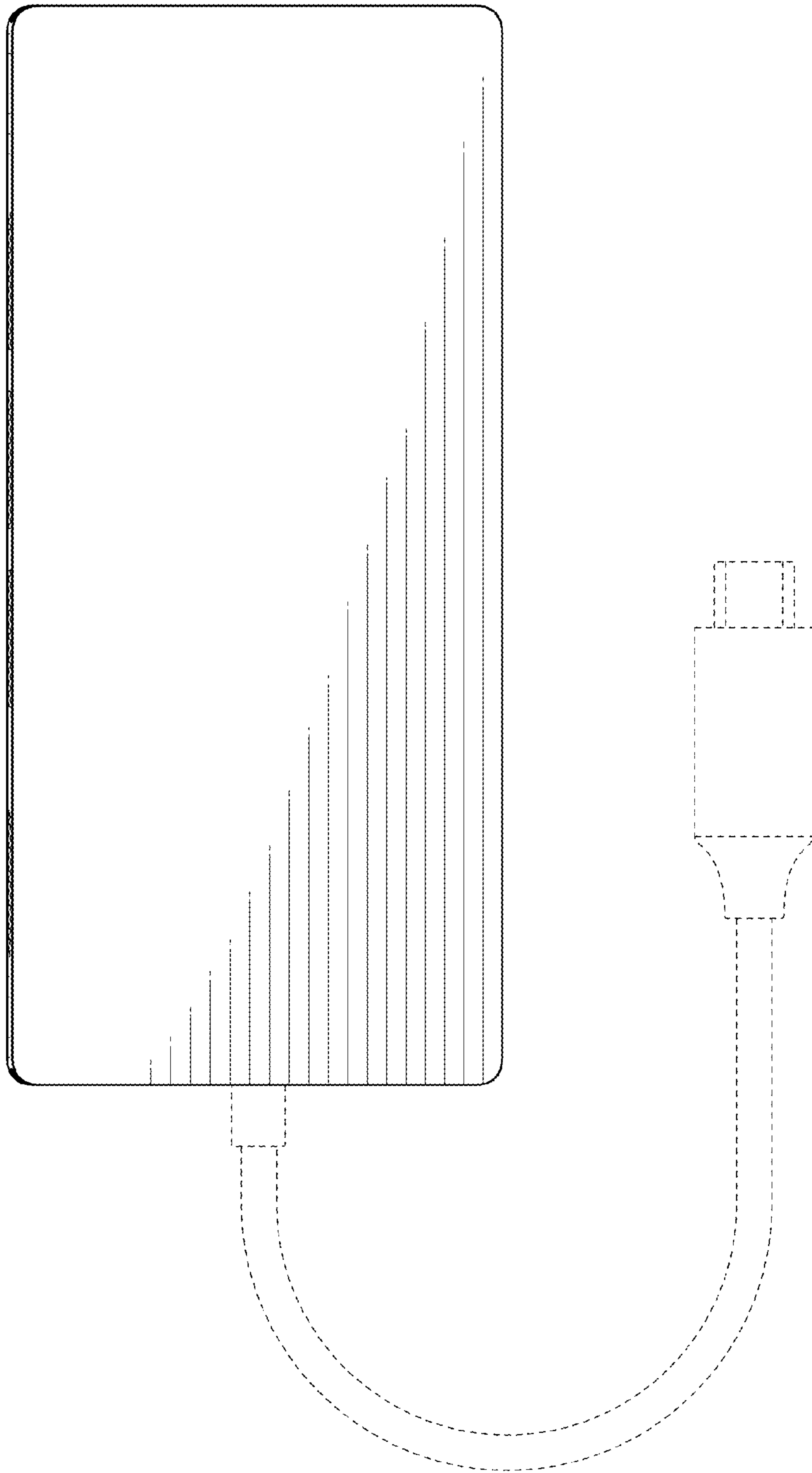


FIG. 3

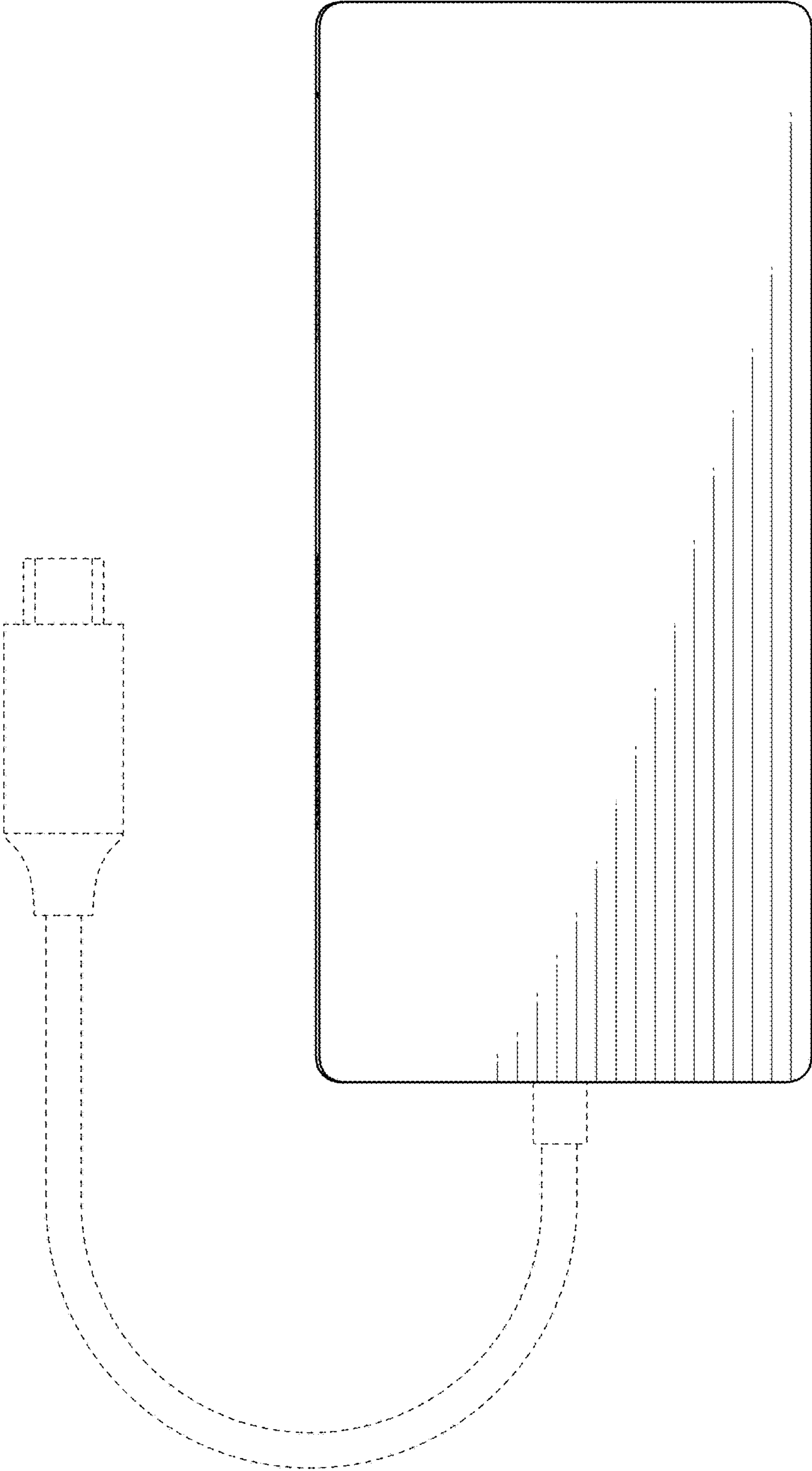


FIG. 4

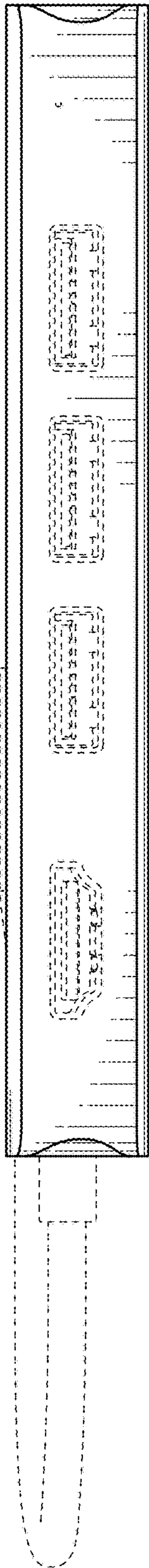


FIG. 5

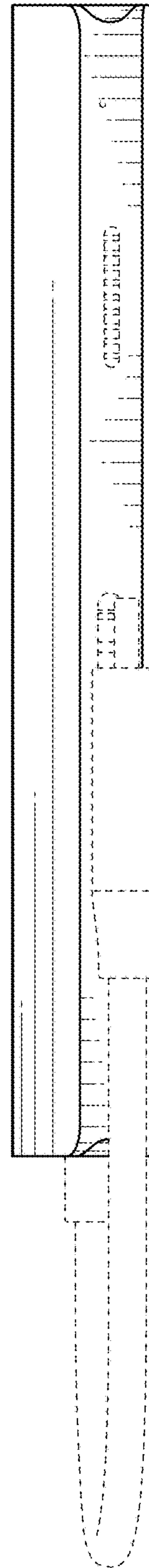


FIG. 6

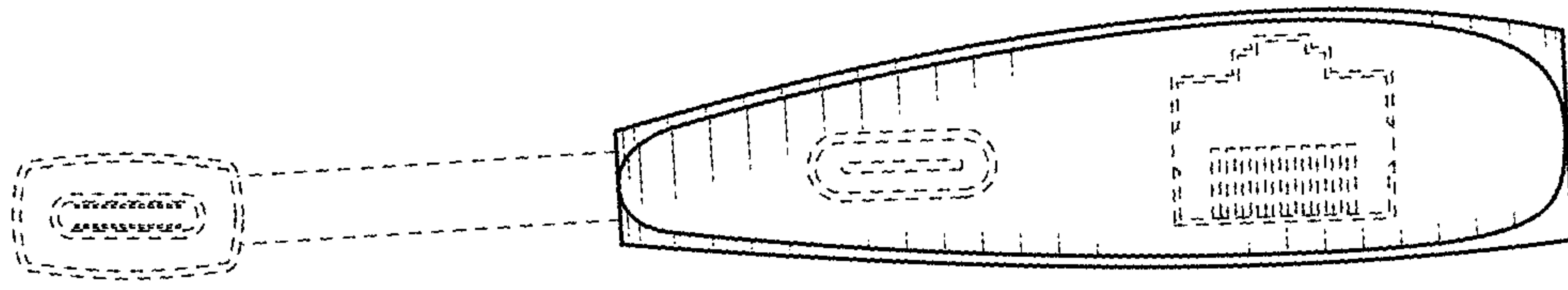


FIG. 7

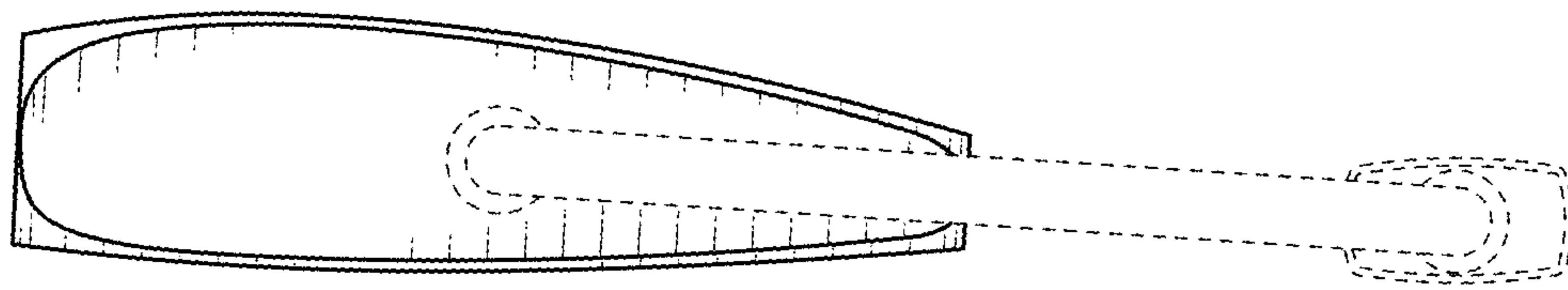


FIG. 8