

US00D856276S

(12) **United States Design Patent** (10) **Patent No.:** **US D856,276 S**
Vetu (45) **Date of Patent:** **** Aug. 13, 2019**

(54) **JUMP START**
 (71) Applicant: **Gabriel Dennis Vetu**, Hong Kong (HK)
 (72) Inventor: **Gabriel Dennis Vetu**, Hong Kong (HK)
 (73) Assignee: **Premier Technologies LTD**
 (**) Term: **15 Years**
 (21) Appl. No.: **29/558,604**
 (22) Filed: **Mar. 18, 2016**

(30) **Foreign Application Priority Data**
 Oct. 5, 2015 (HK) 1502157
 (51) **LOC (12) Cl.** **13-02**
 (52) **U.S. Cl.**
 USPC **D13/107**
 (58) **Field of Classification Search**
 USPC D13/103, 107, 108, 110, 119, 120, 149,
 D13/184, 199; 320/104, 105
 CPC . H02J 7/0054; H02J 2001/006; H01M 2/1072
 See application file for complete search history.

(56) **References Cited**
 U.S. PATENT DOCUMENTS
 D444,125 S * 6/2001 Shy D13/110
 RE37,482 E * 12/2001 Guay H02J 7/0042
 D13/110
 D484,852 S * 1/2004 James D13/107
 D508,675 S * 8/2005 Krieger D13/107
 D530,271 S * 10/2006 Hriscu D13/107
 D545,270 S * 6/2007 Dayan D13/107
 D585,822 S * 2/2009 Hsu D13/107
 D609,634 S * 2/2010 Daniels D13/107

D654,865 S * 2/2012 DuMelle D13/107
 D684,116 S * 6/2013 Inskeep D13/107
 D706,710 S * 6/2014 Inskeep D13/107
 D742,308 S * 11/2015 James D13/107
 D762,167 S * 7/2016 Inskeep D13/107
 D811,324 S * 2/2018 Inskeep D13/107
 D815,039 S * 4/2018 Wen D13/110

* cited by examiner

Primary Examiner — Derrick E Holland
Assistant Examiner — Jennifer O King

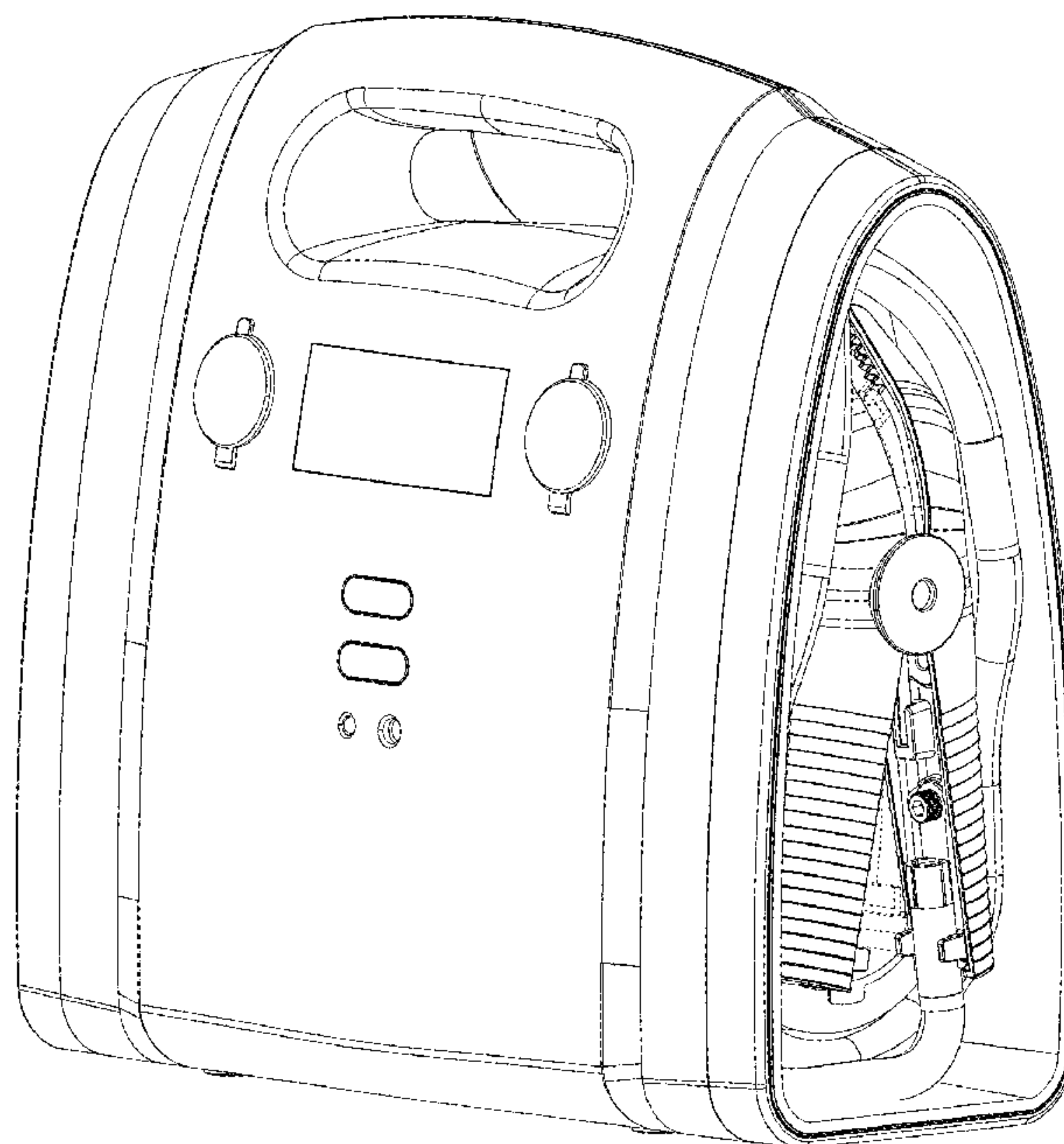
(57) **CLAIM**

The ornamental design for a jump start, as shown and described.

DESCRIPTION

FIG. 1 shows a front elevation view of a jump start;
 FIG. 2 shows a rear elevation view of the jump start of FIG. 1;
 FIG. 3 shows a right elevation view of the jump start of FIG. 1;
 FIG. 4 shows a left elevation view of the jump start of FIG. 1;
 FIG. 5 shows a top plan view of the jump start of FIG. 1;
 FIG. 6 shows a bottom plan view of the jump start of FIG. 1;
 FIG. 7 shows a front perspective view of the jump start of FIG. 1; and,
 FIG. 8 shows a bottom perspective view of the jump start of FIG. 1.
 The broken lines shown represent portions of the jump start that form no part of the claimed design.

1 Claim, 8 Drawing Sheets



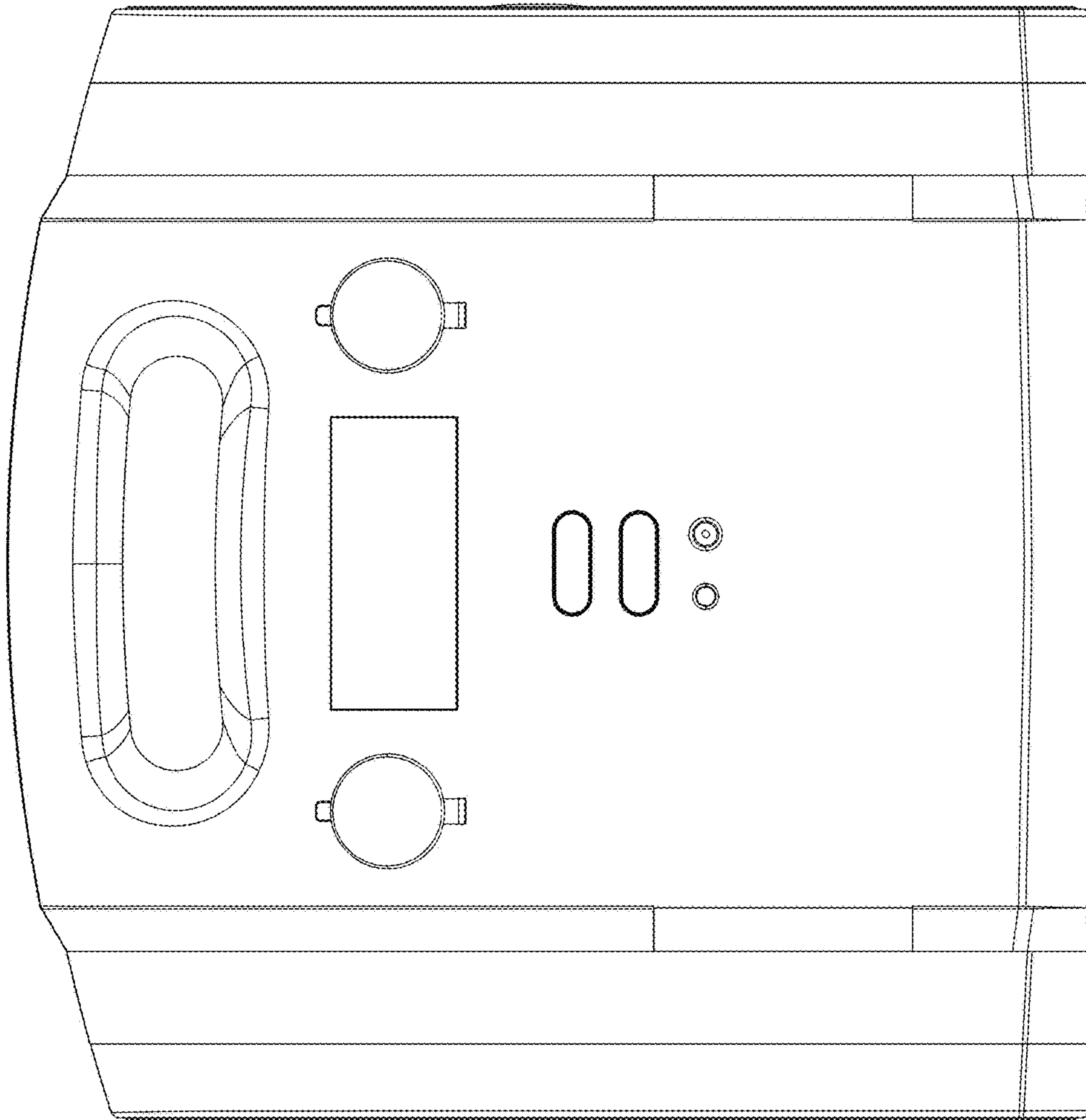


Fig. 1

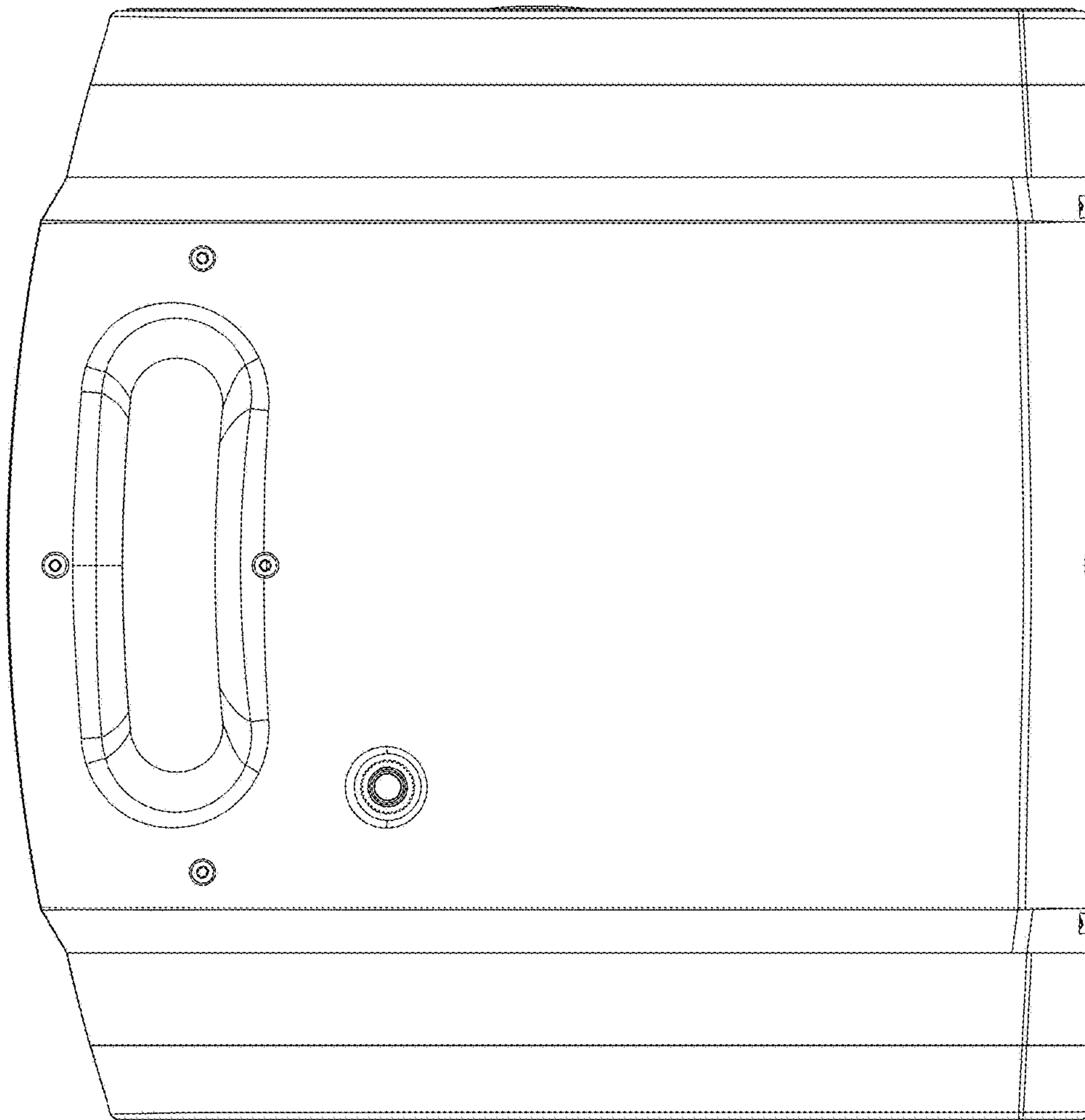


Fig. 2

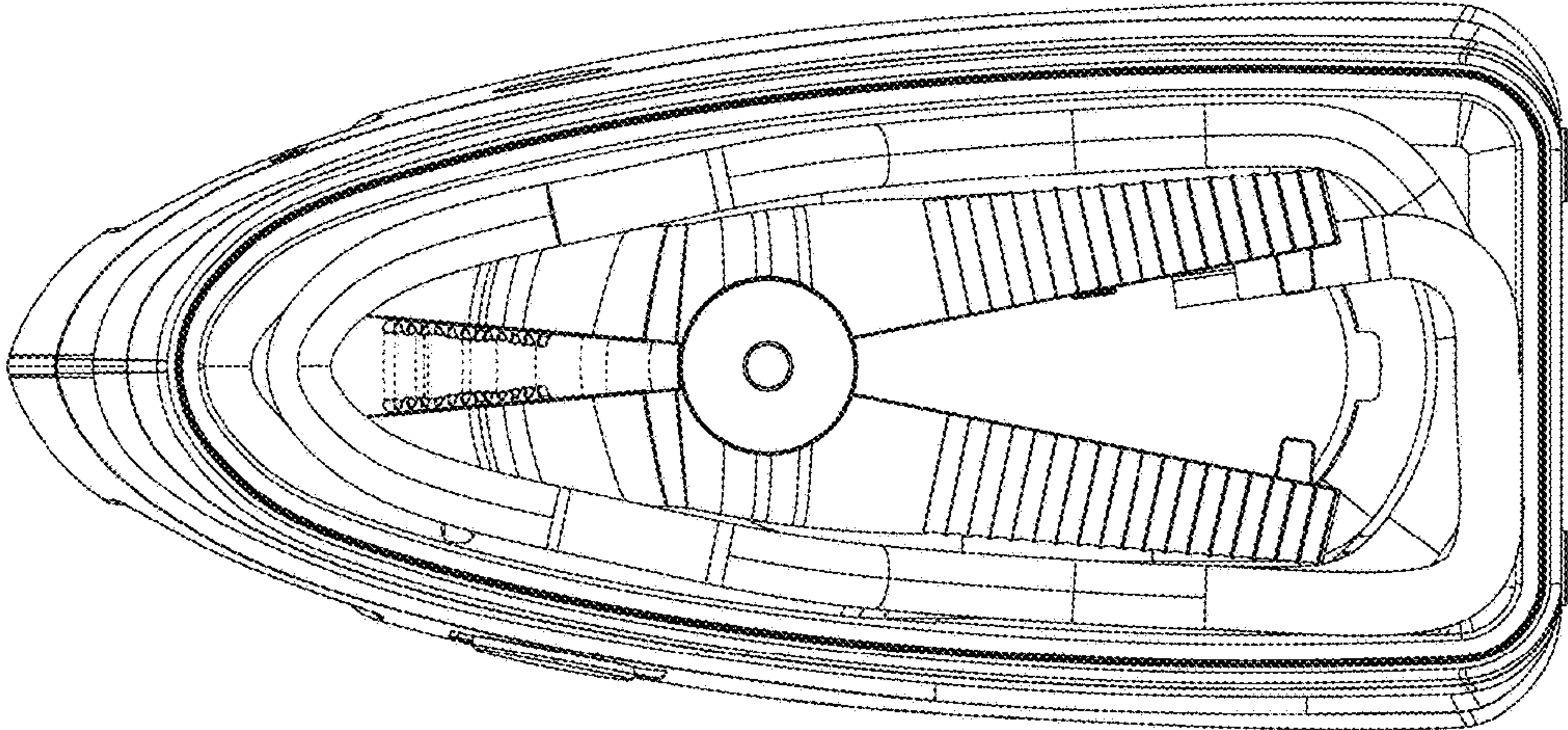


Fig. 3

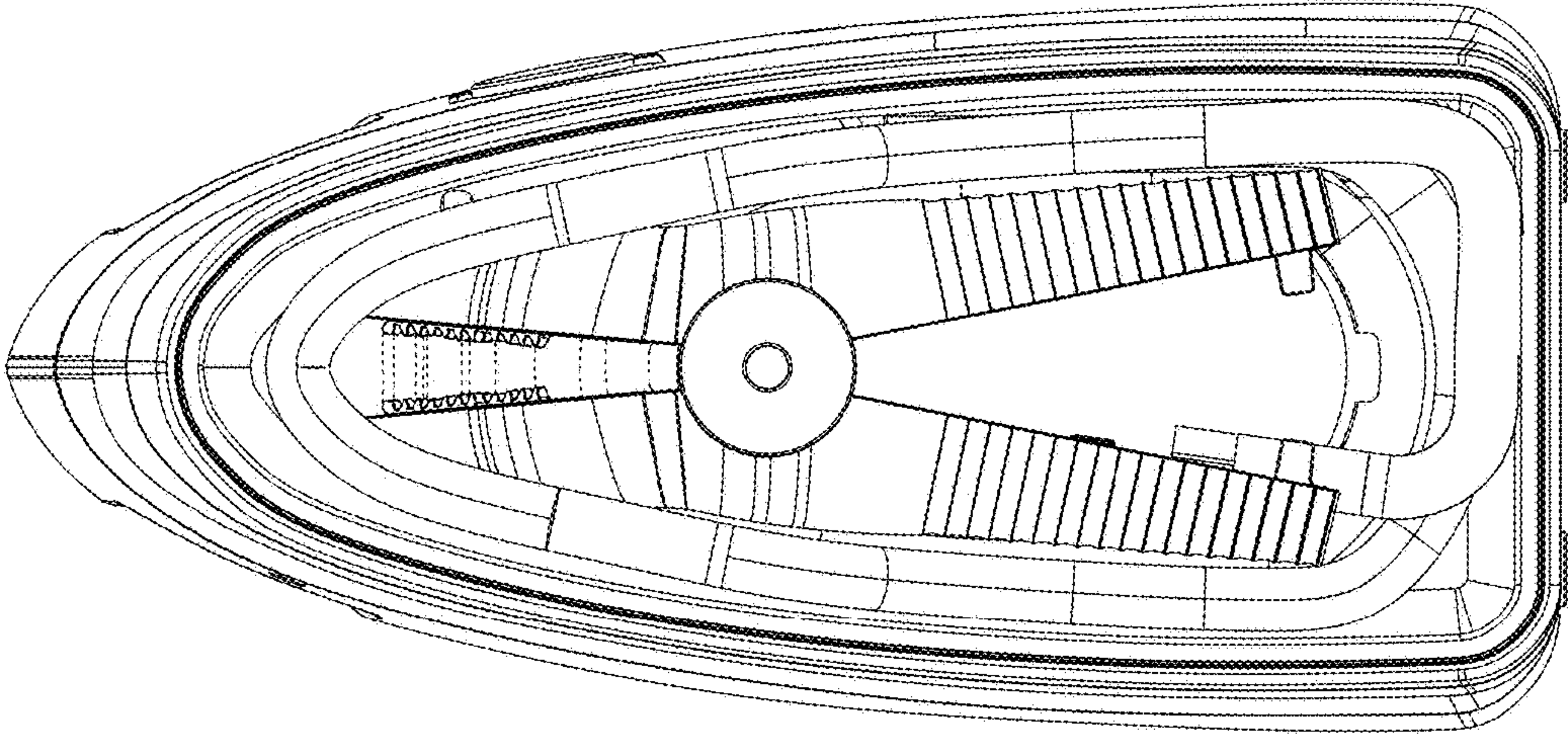


Fig. 4

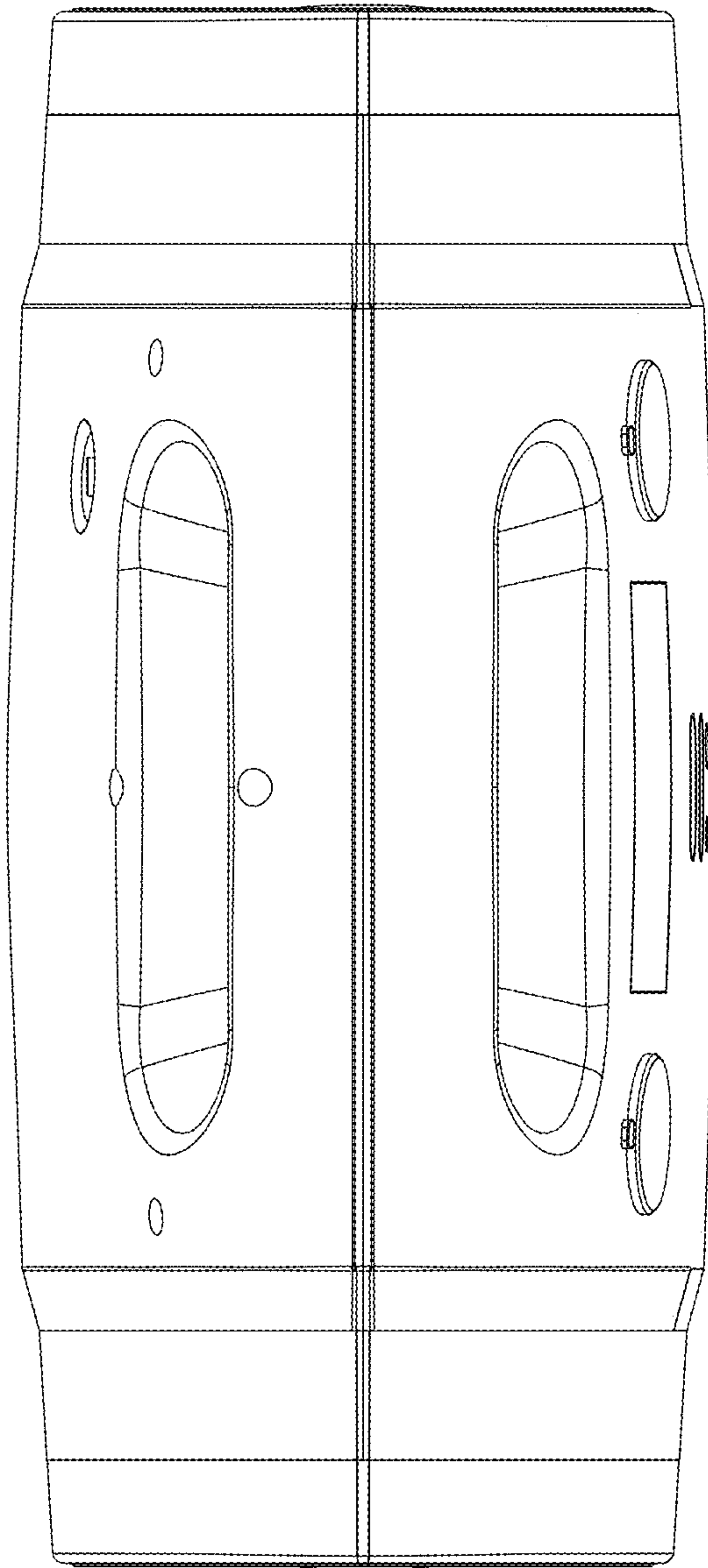


Fig. 5

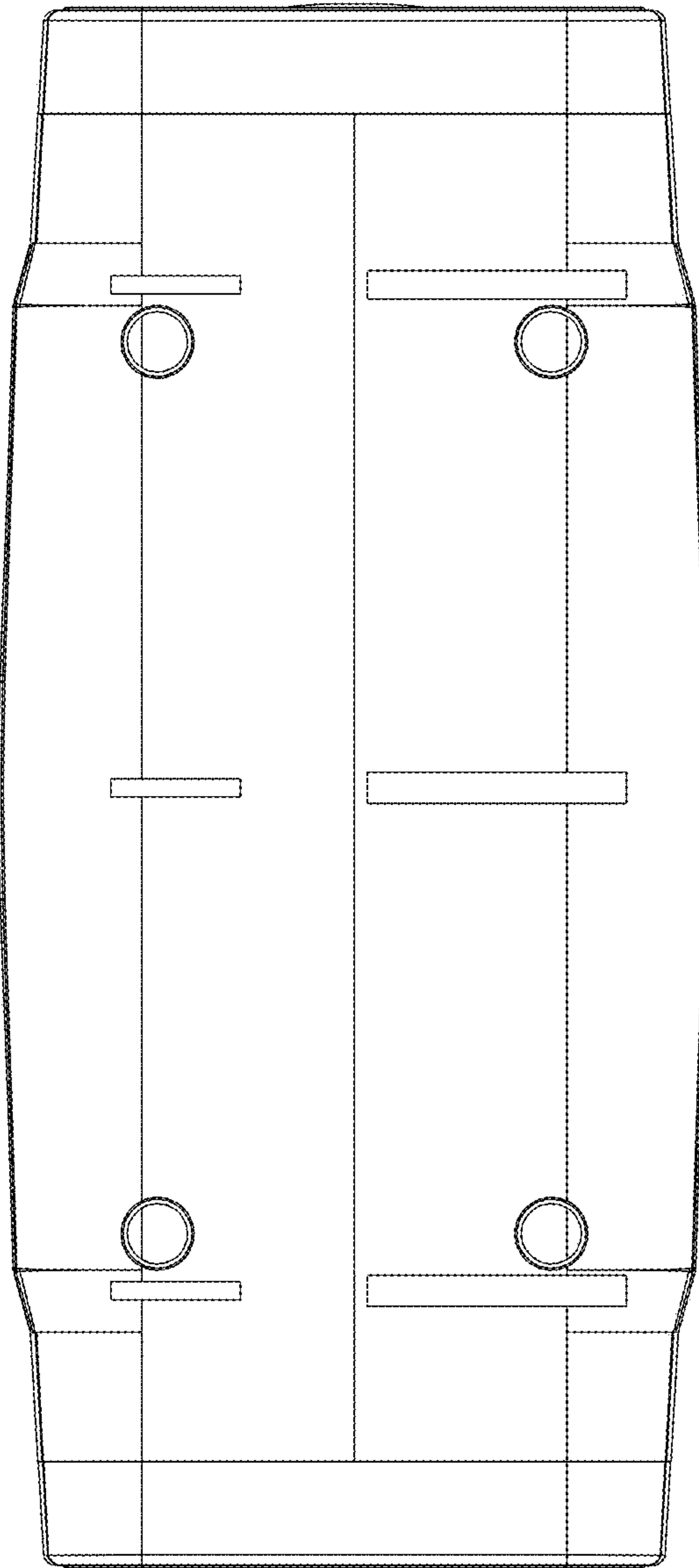


Fig. 6

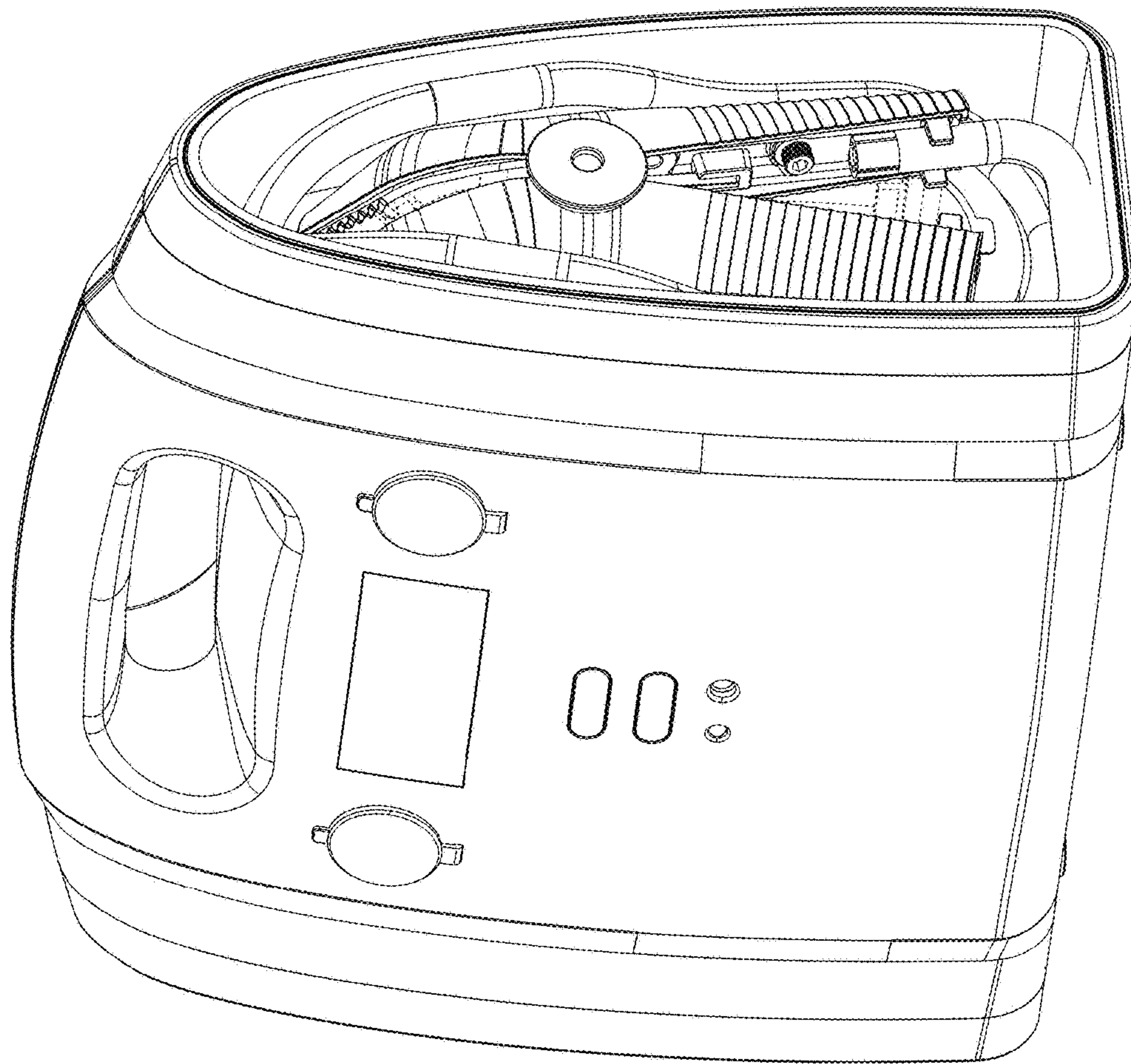


Fig. 7

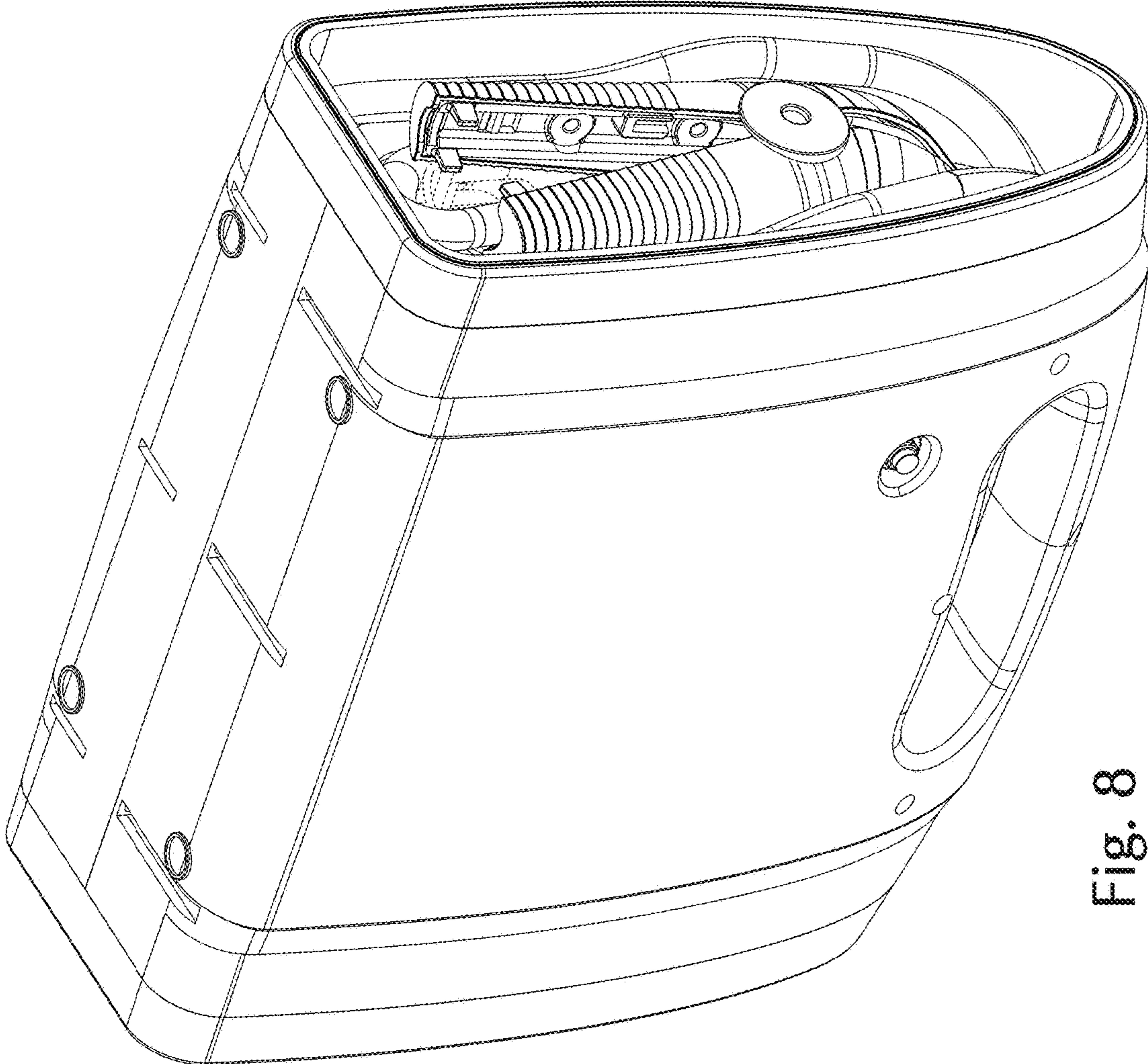


Fig. 8