



US00D856274S

(12) **United States Design Patent**
Ebrahimi Afrouzi et al.

(10) **Patent No.:** **US D856,274 S**
(45) **Date of Patent:** **** Aug. 13, 2019**

(54) **BATTERY CASING**

(71) Applicants: **Ali Ebrahimi Afrouzi**, San Jose, CA (US); **Shahin Fathi Djalali**, San Francisco, CA (US)

(72) Inventors: **Ali Ebrahimi Afrouzi**, San Jose, CA (US); **Shahin Fathi Djalali**, San Francisco, CA (US)

(73) Assignee: **AI Incorporated**, Toronto (CA)

(**) Term: **15 Years**

(21) Appl. No.: **29/629,634**

(22) Filed: **Dec. 14, 2017**

(51) **LOC (12) Cl.** **13-02**

(52) **U.S. Cl.**
USPC **D13/103**

(58) **Field of Classification Search**
USPC D13/102-106, 110, 118, 119, 184, 199, D13/107, 108; D14/250
CPC Y02E 60/12; Y02E 60/122; Y02E 60/124; Y02E 60/50; H01M 2/02; H01M 2/022; H01M 2/0202; H01M 2/0207; H01M 2/0212; H01M 2/1061; H01M 2/1022; H01M 2/1055; H01M 2/1066; H01M 2/105; H01M 2/204; H01M 10/4257; H01M 10/0436; H01M 10/48
See application file for complete search history.

(56) **References Cited**

U.S. PATENT DOCUMENTS

D432,494 S * 10/2000 Perez D13/103
D437,579 S * 2/2001 Toops D13/103

D438,088 S * 2/2001 Tomlinson D8/330
D511,248 S * 11/2005 Prempfer D3/273
D516,302 S * 3/2006 Margiotta D3/203.3
D550,210 S * 9/2007 Polany D14/217
D554,588 S * 11/2007 Lee D13/147
D571,289 S * 6/2008 Michaeli D13/103
D578,862 S * 10/2008 James D8/330
D580,852 S * 11/2008 Heinzen D13/103
D592,131 S * 5/2009 Heinzen D13/103
D592,595 S * 5/2009 Heinzen D13/119
D643,807 S * 8/2011 Jiang D13/103
D656,092 S * 3/2012 Nomi D13/107
D686,981 S * 7/2013 Koyabu D13/103
D772,572 S * 11/2016 Palmborg D3/201
D773,389 S * 12/2016 Miller D13/103
D822,374 S * 7/2018 Hung D3/201
D830,966 S * 10/2018 Siminoff D13/103
2013/0084481 A1 * 4/2013 Yoon H01M 2/1077
429/99

* cited by examiner

Primary Examiner — Rosemary K Tarcza
Assistant Examiner — Christy M Nemeth

(57) **CLAIM**

The ornamental design for a battery casing, as shown and described.

DESCRIPTION

FIG. 1 is a front elevation view of a battery casing showing our new design;
FIG. 2 is a rear elevation view thereof;
FIG. 3 is a top plan view thereof;
FIG. 4 is a bottom plan view thereof;
FIG. 5 is a left side elevation view thereof;
FIG. 6 is a right side elevation view thereof; and,
FIG. 7 is a top perspective view thereof.

1 Claim, 7 Drawing Sheets

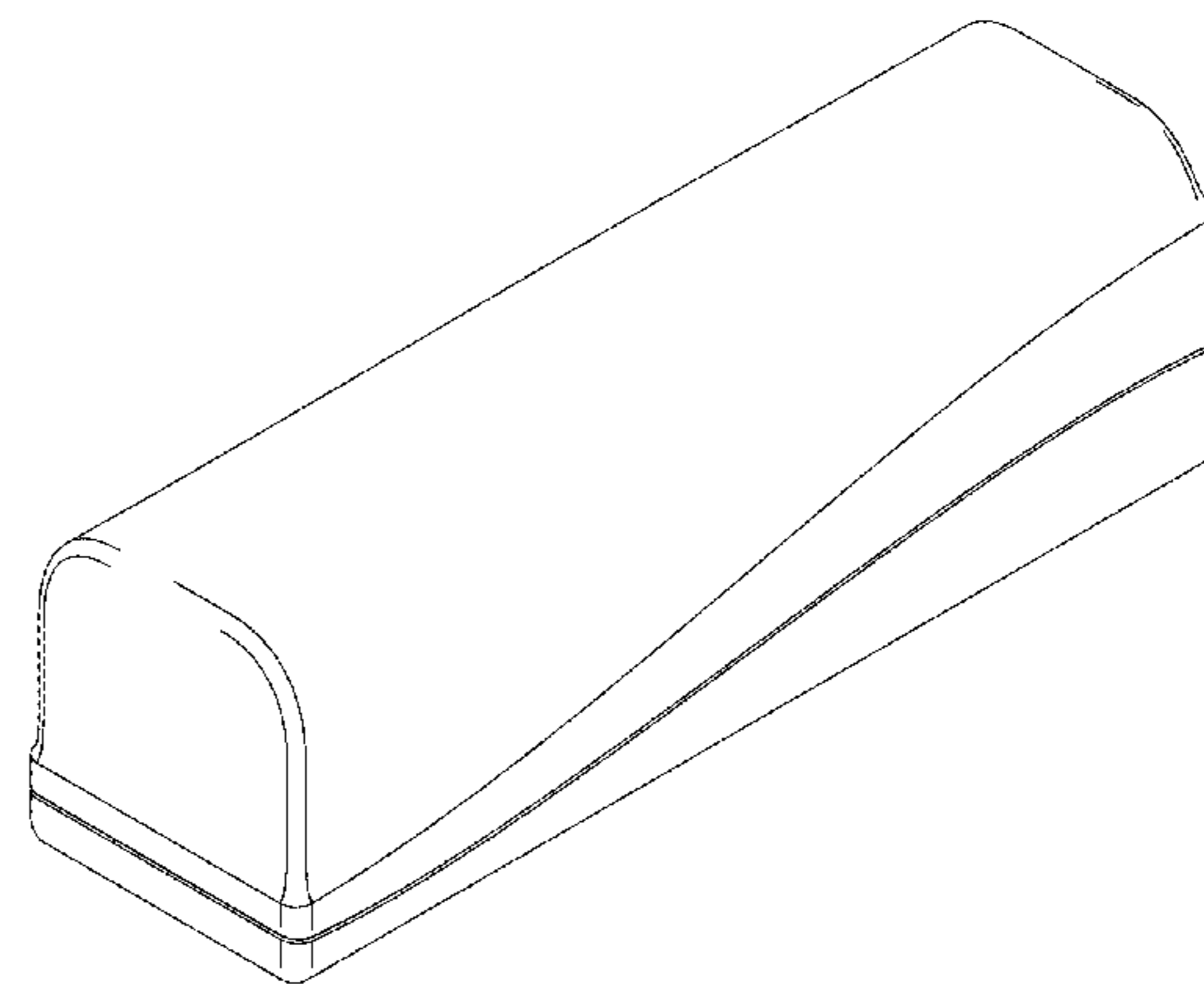
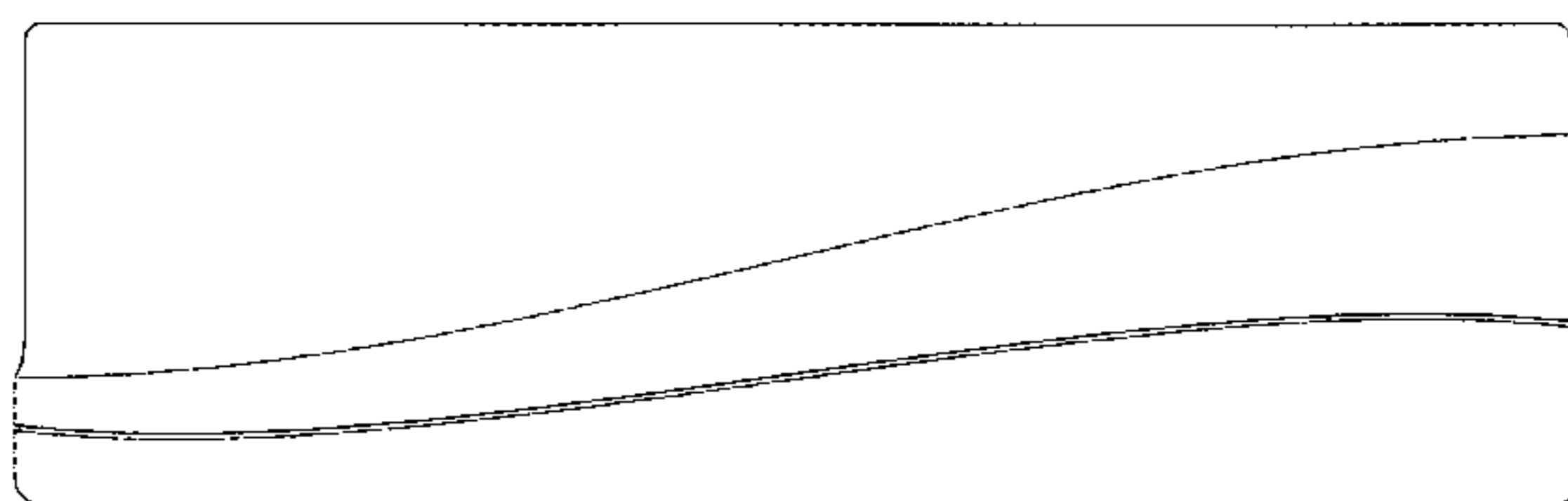


FIG. 1

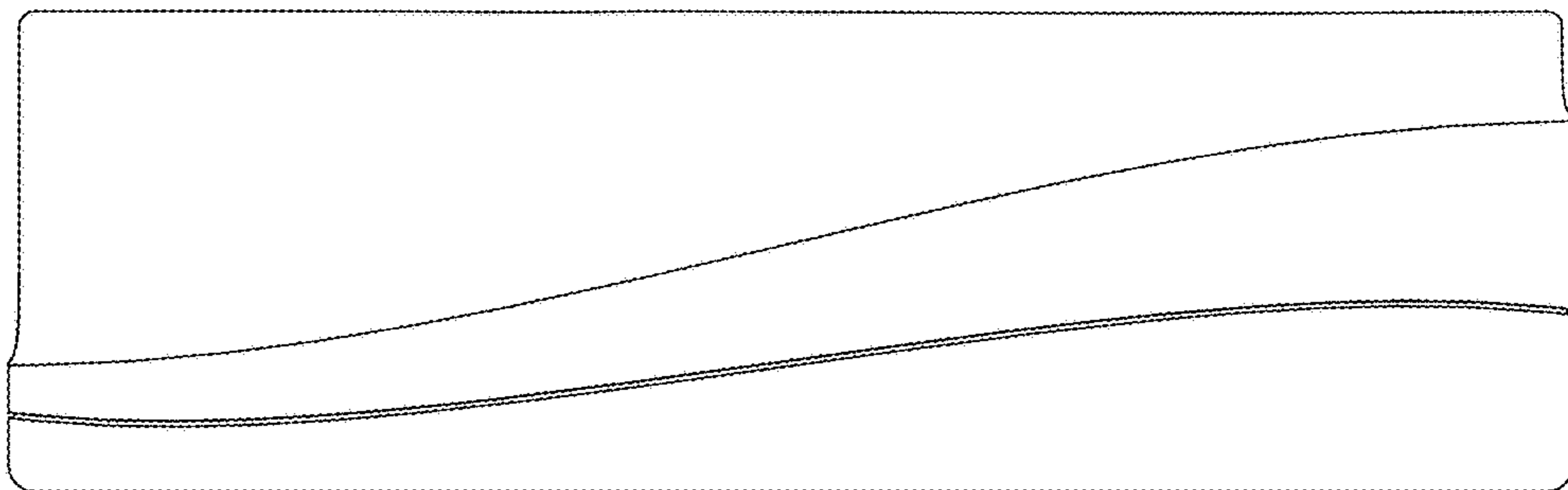


FIG. 2

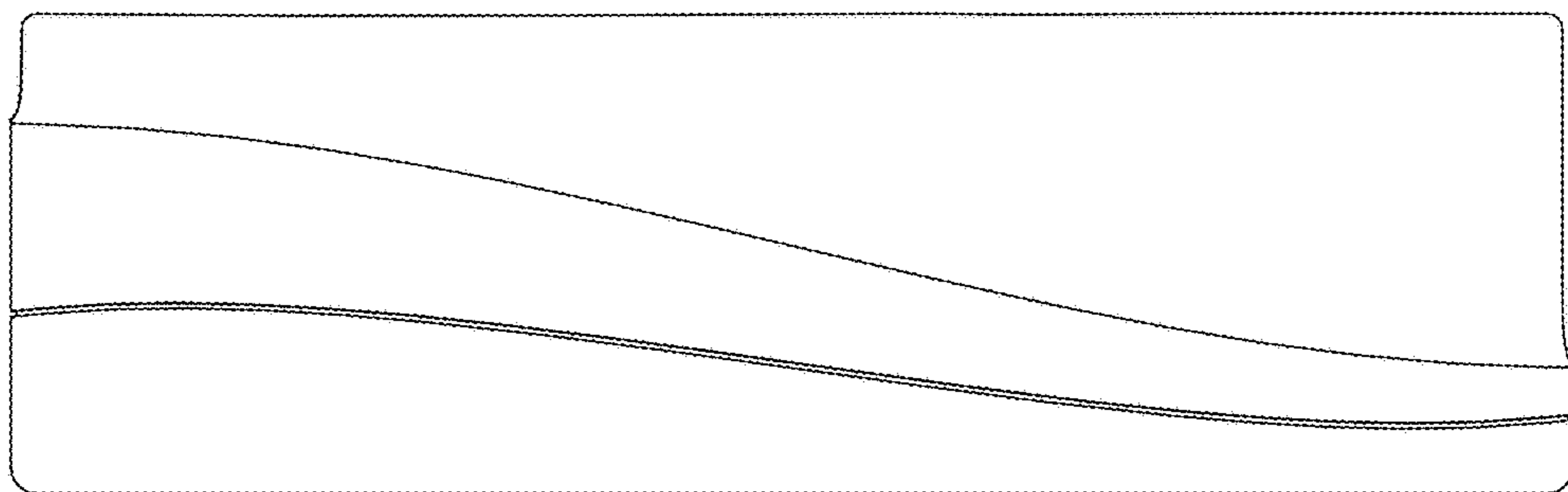


FIG. 3

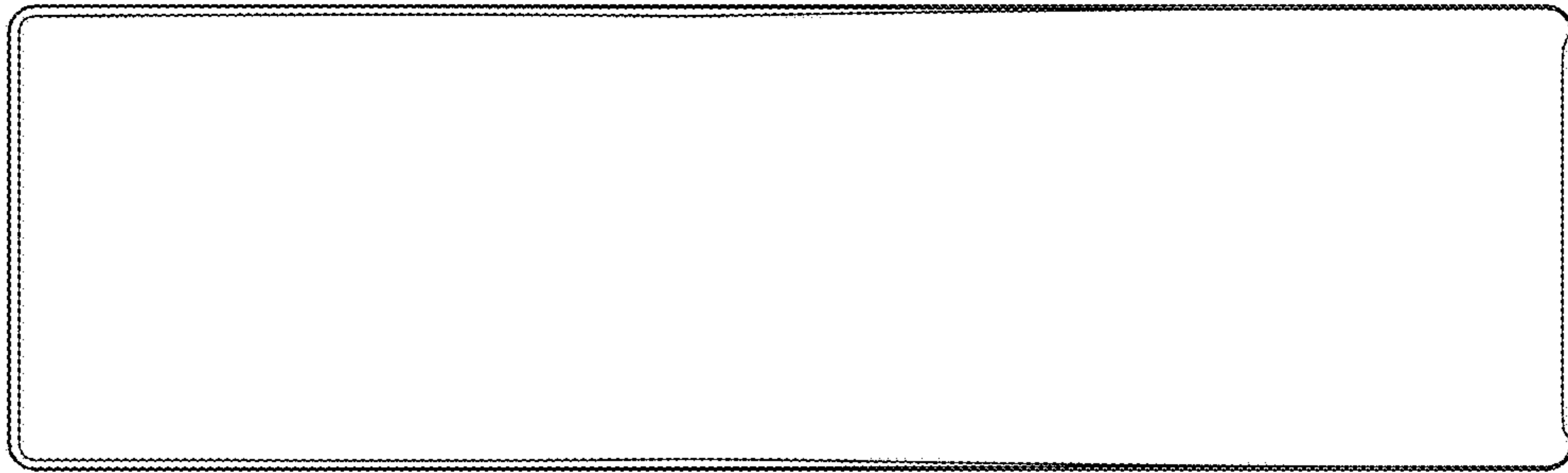


FIG. 4

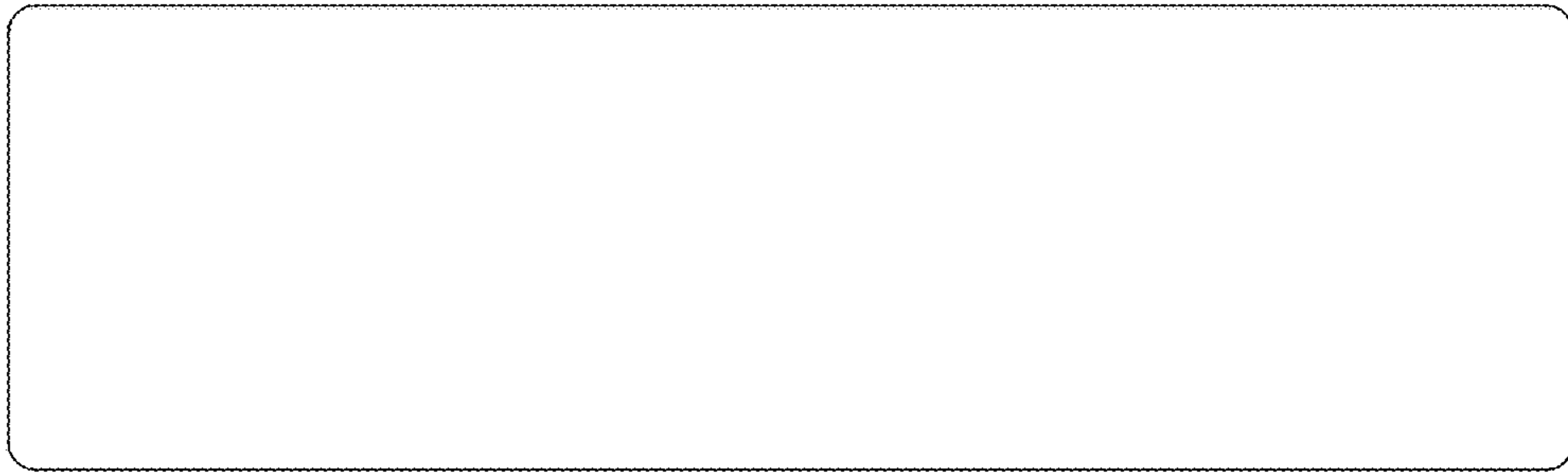


FIG. 5

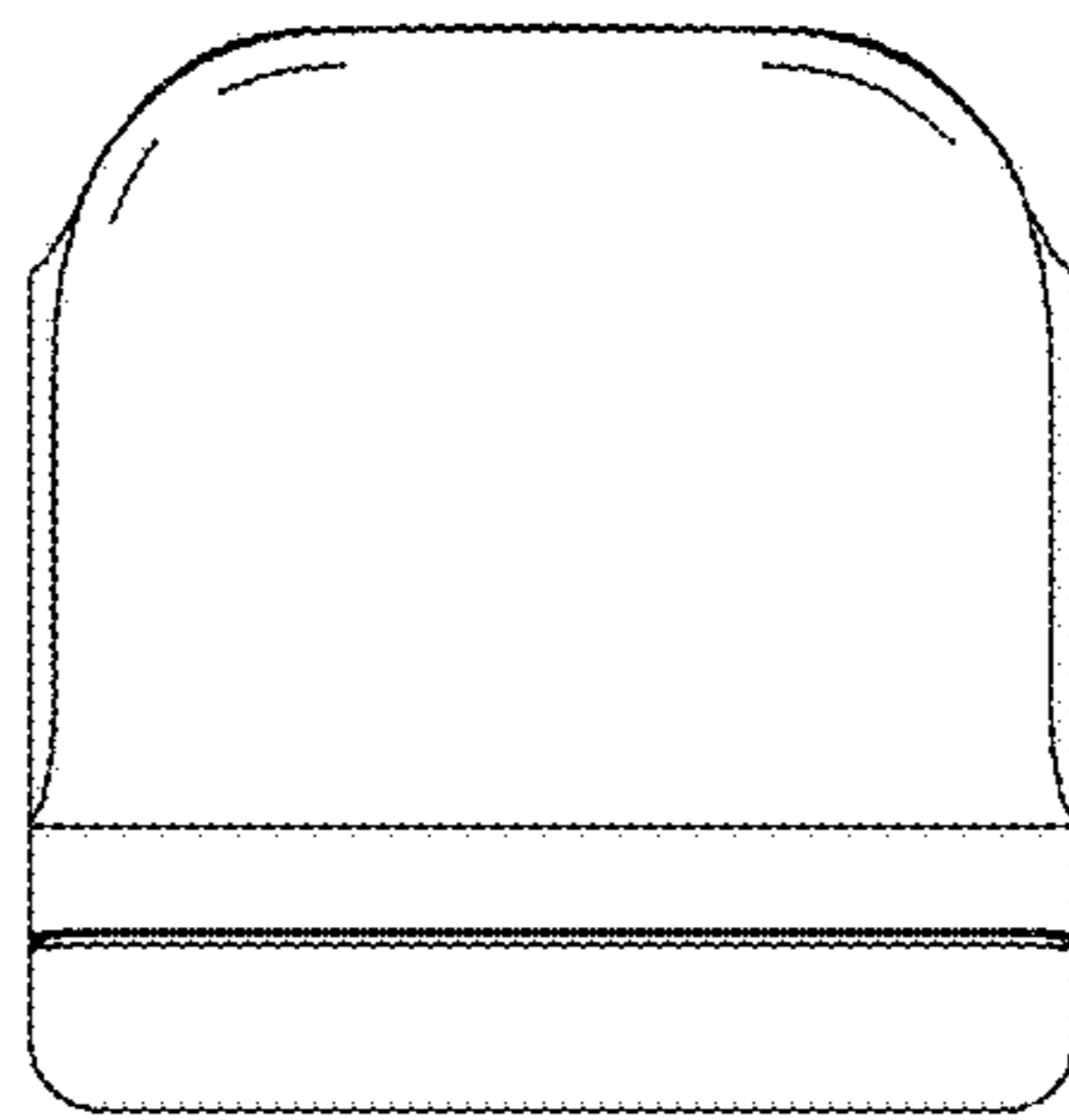


FIG. 6

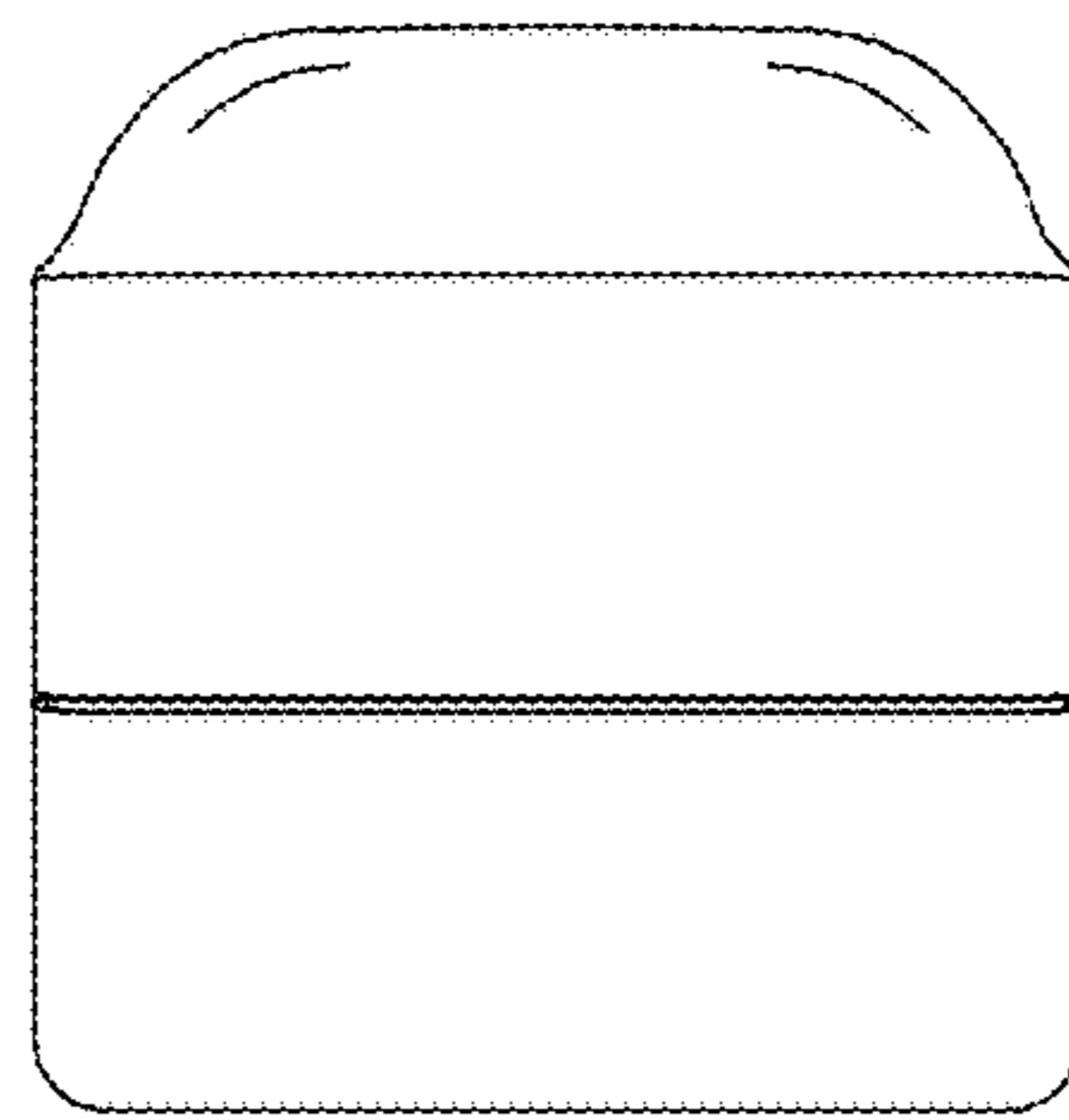


FIG. 7

