



US00D856273S

(12) **United States Design Patent**
Houghton

(10) **Patent No.:** **US D856,273 S**

(45) **Date of Patent:** **** Aug. 13, 2019**

(54) **BATTERY**

(71) Applicant: **BLACK & DECKER INC.**, New Britain, CT (US)

(72) Inventor: **Stephen Houghton**, Newcastle-upon-Tyne (GB)

(73) Assignee: **Black & Decker, Inc.**, New Britain, CT (US)

(**) Term: **15 Years**

(21) Appl. No.: **29/551,917**

(22) Filed: **Jan. 19, 2016**

(30) **Foreign Application Priority Data**

Jul. 27, 2015 (CN) 2015 3 0272828

Jul. 27, 2015 (CN) 2015 3 0272829

(51) **LOC (12) Cl.** **13-02**

(52) **U.S. Cl.**
USPC **D13/103**

(58) **Field of Classification Search**

USPC D13/102–106, 110, 118–119, 184

CPC Y02E 60/12; Y02E 60/122; Y02E 60/124;

Y02E 60/50; H01M 2/02; H01M 2/022;

H01M 2/0202; H01M 2/0207; H01M

2/0212; H01M 2/1061; H01M 2/1022;

H01M 2/1055; H01M 2/1066; H01M

2/105; H01M 2/204; H01M 2/1016;

H01M 2200/00; H01M 10/4257; H01M

10/0436; H01M 10/48; H01M 10/42

See application file for complete search history.

(56) **References Cited**

U.S. PATENT DOCUMENTS

D524,728 S * 7/2006 Watson D13/103

D535,250 S * 1/2007 Watson D13/103

D556,677 S * 12/2007 Watson D13/103
D589,439 S * 3/2009 Van Wambeke D13/103
D606,935 S * 12/2009 Murayama D13/103
8,092,932 B2 * 1/2012 Phillips B25F 5/02
429/100
D657,307 S * 4/2012 Zhao D13/103
D679,651 S * 4/2013 Stratford D13/103
D682,194 S * 5/2013 Jiang D13/103
D712,351 S * 9/2014 Zeng D13/103
D785,562 S * 5/2017 Cooper D13/103
D801,919 S * 11/2017 Elder D13/103
2014/0272516 A1 * 9/2014 Tennison H01M 2/105
429/120

* cited by examiner

Primary Examiner — Barbara Fox

Assistant Examiner — Nathaniel D. Buckner

(74) *Attorney, Agent, or Firm* — Michael Aronoff

(57) **CLAIM**

The ornamental design for a battery, as shown and described.

DESCRIPTION

FIG. 1 is a perspective view of a battery showing my new design;

FIG. 2 is another perspective view thereof;

FIG. 3 is a top plan view thereof;

FIG. 4 is a bottom plan view thereof;

FIG. 5 is a left side view thereof;

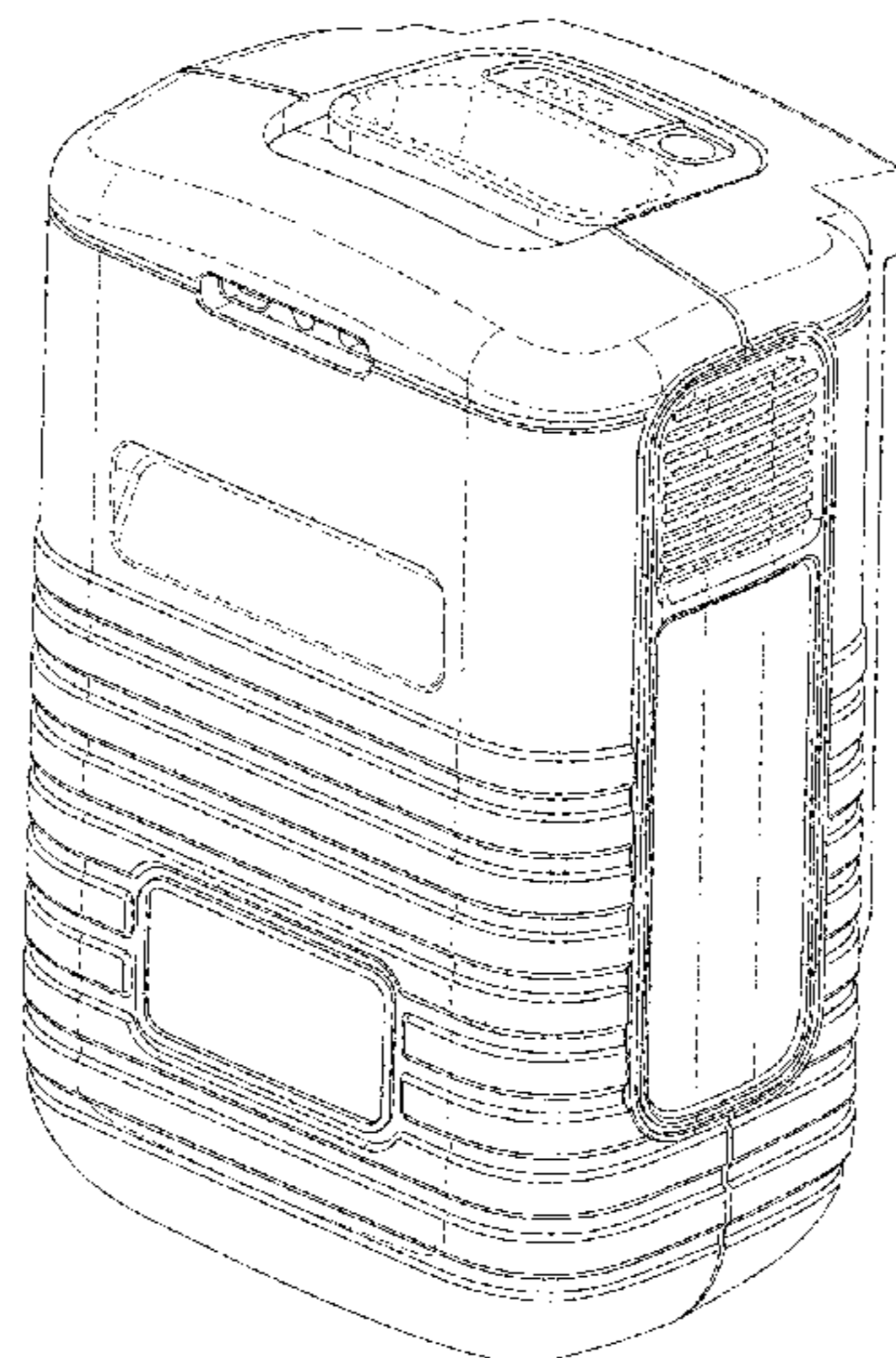
FIG. 6 is a right side view thereof;

FIG. 7 is a front view thereof; and,

FIG. 8 is a rear view thereof.

The broken lines in the figures depict portions of the battery which form no part of the claimed design.

1 Claim, 8 Drawing Sheets



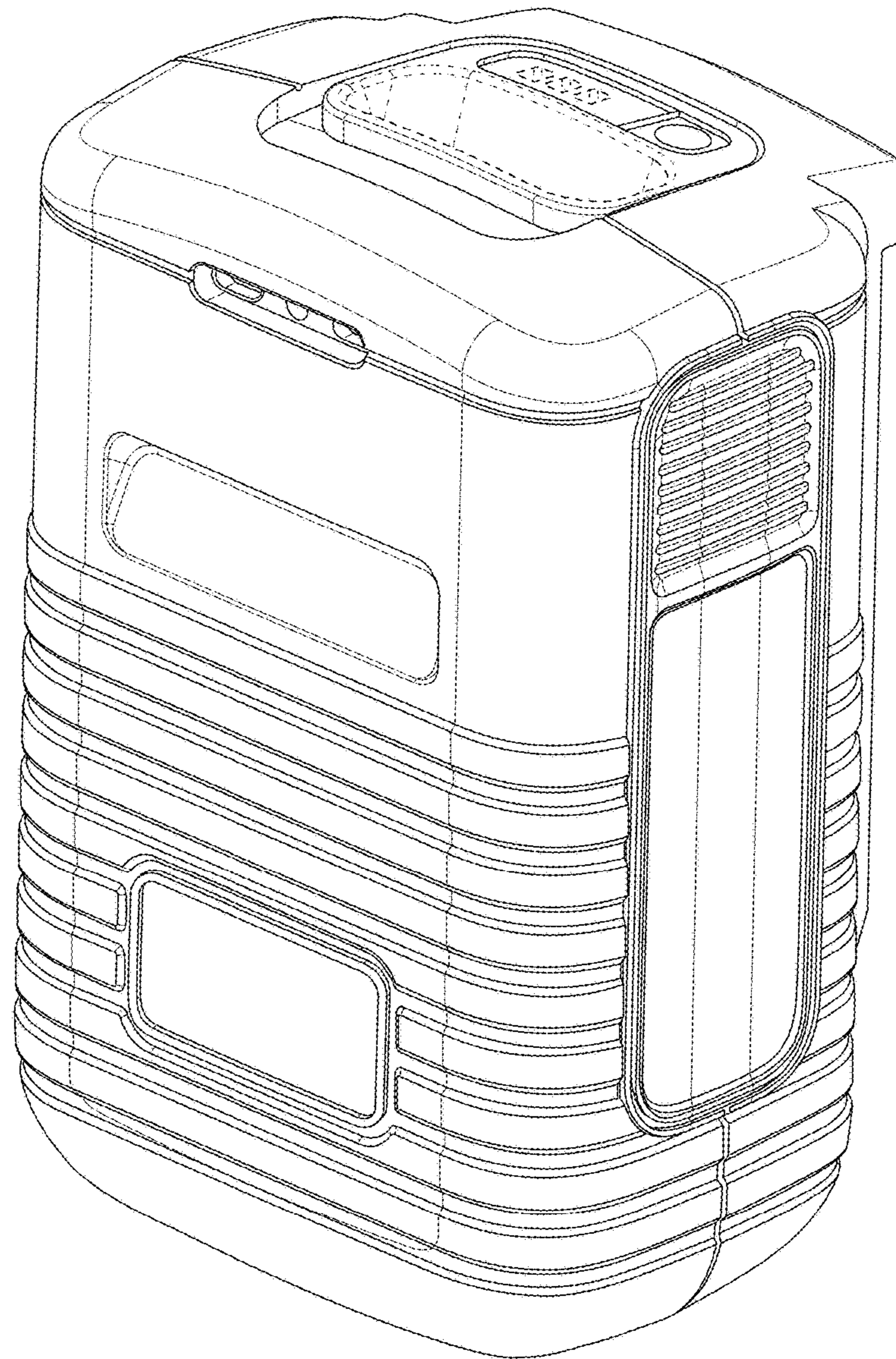


FIG. 1

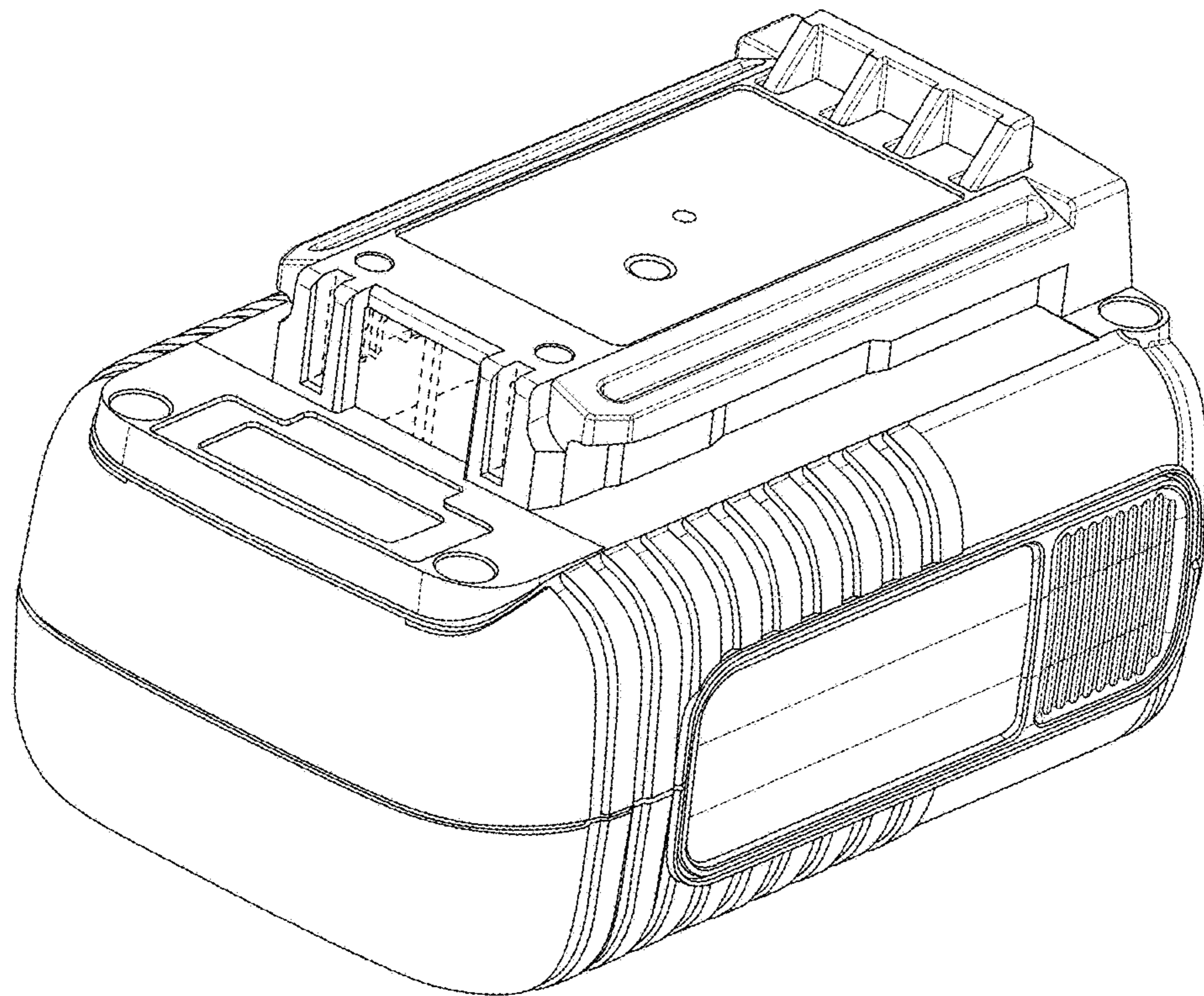


FIG. 2

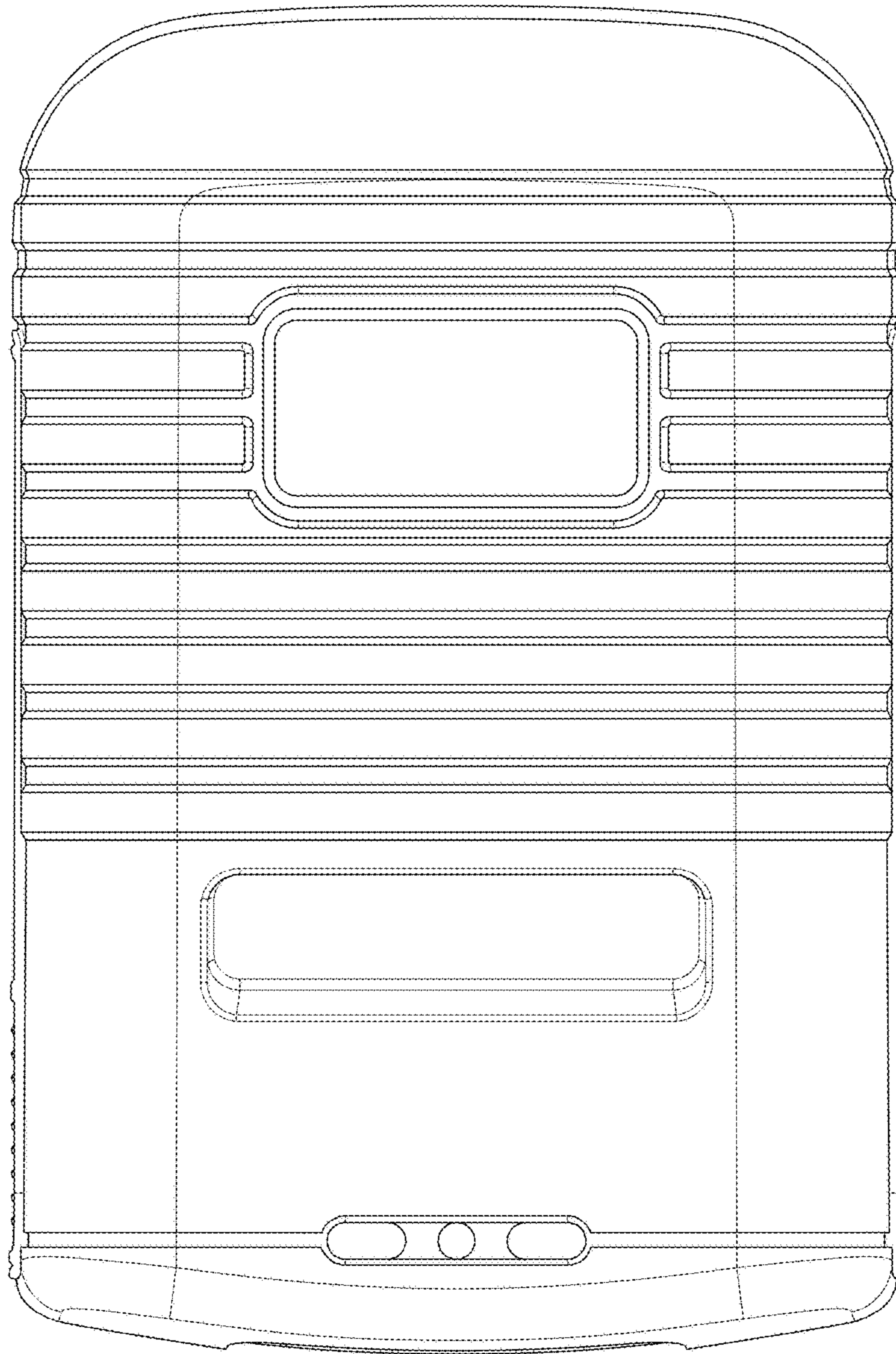


FIG. 3

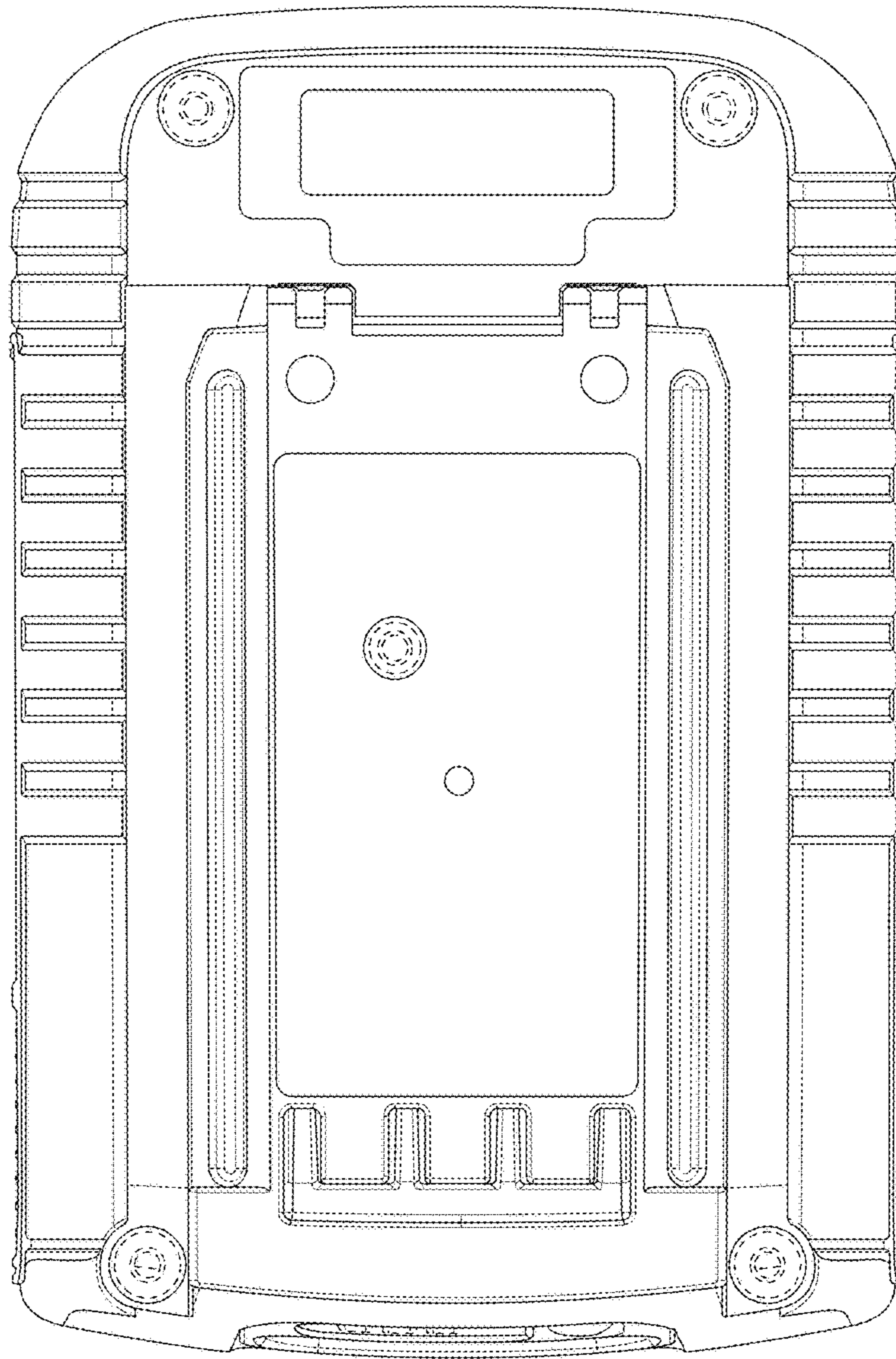


FIG. 4

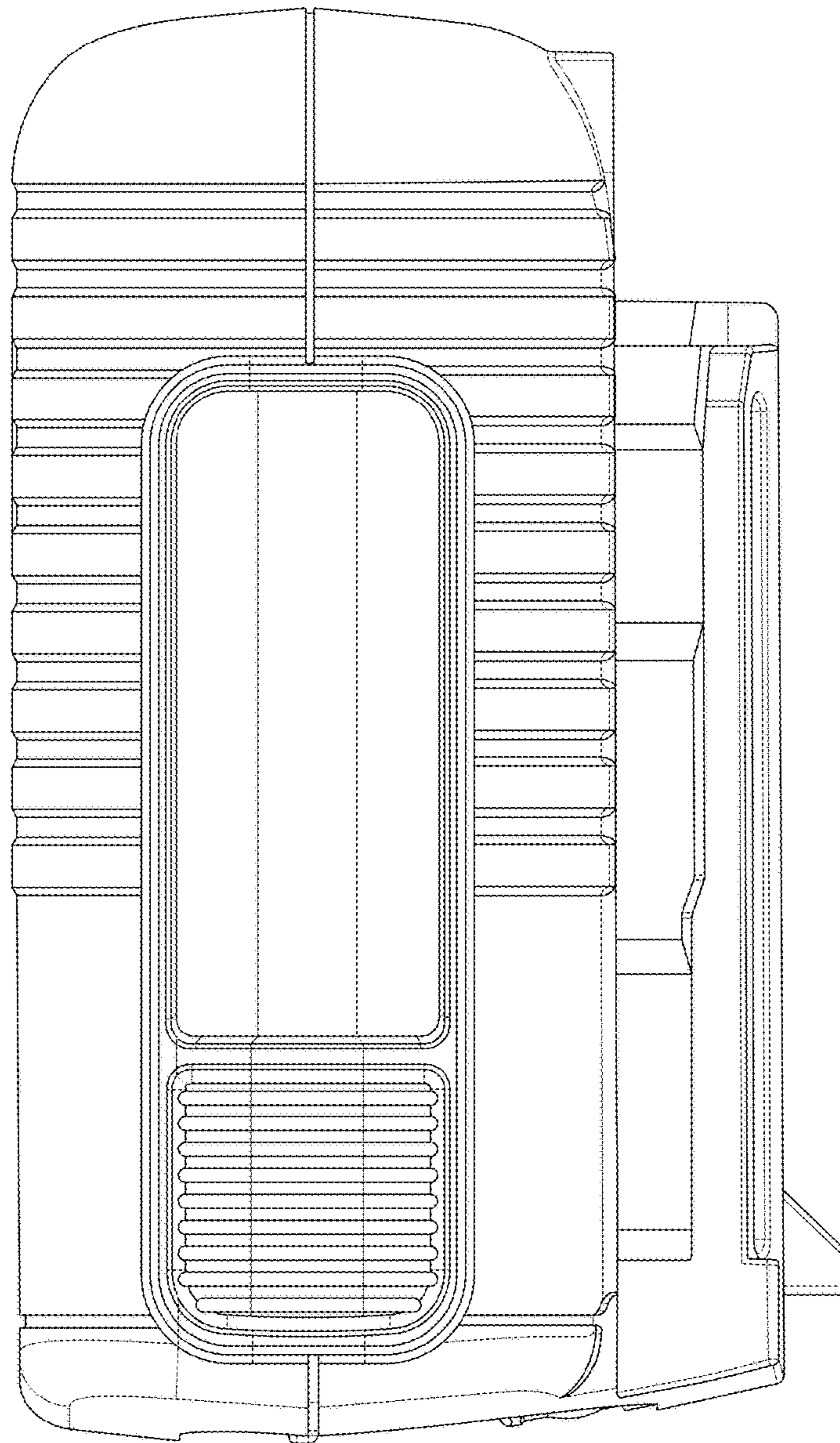


FIG. 5

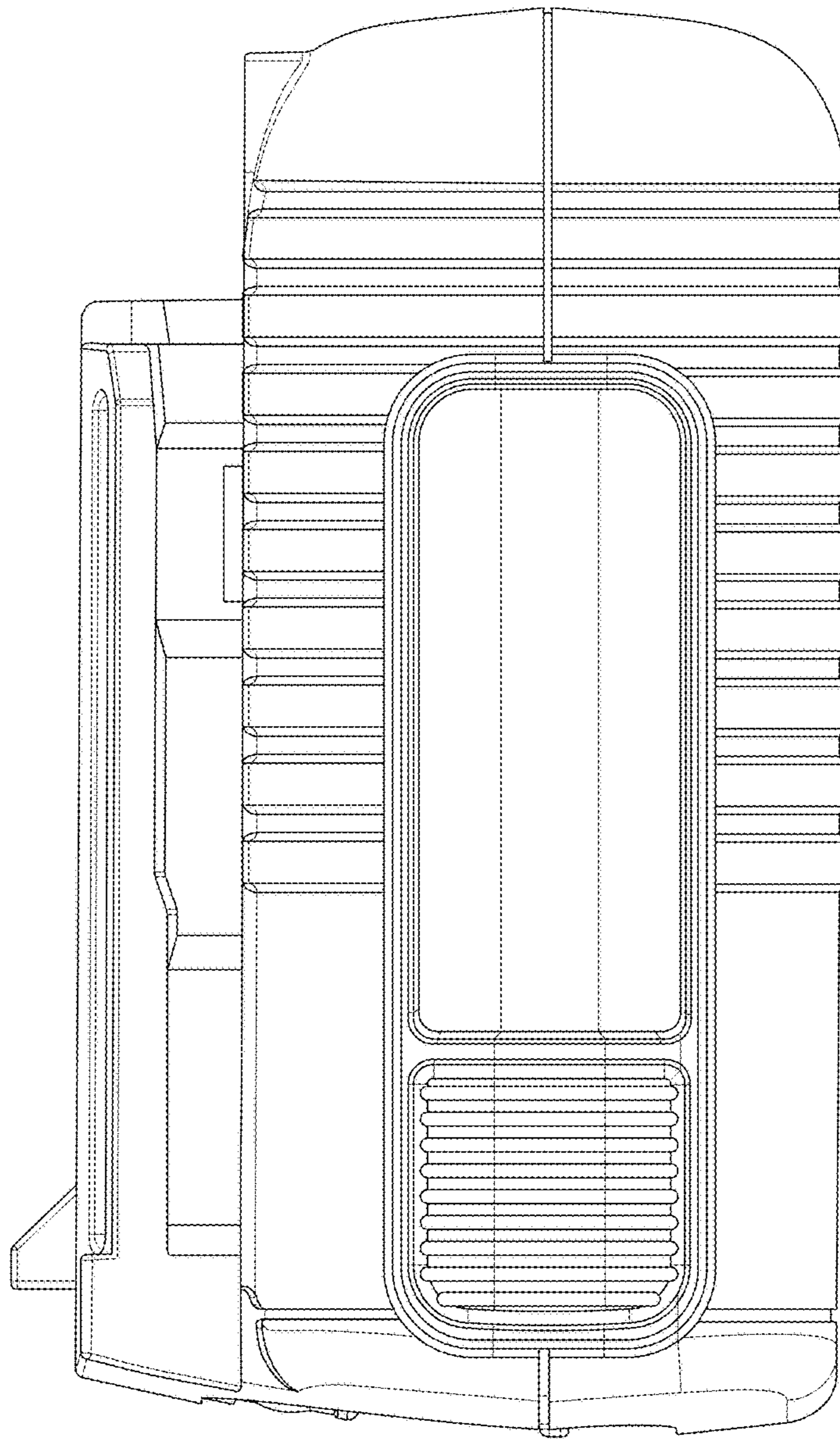


FIG. 6

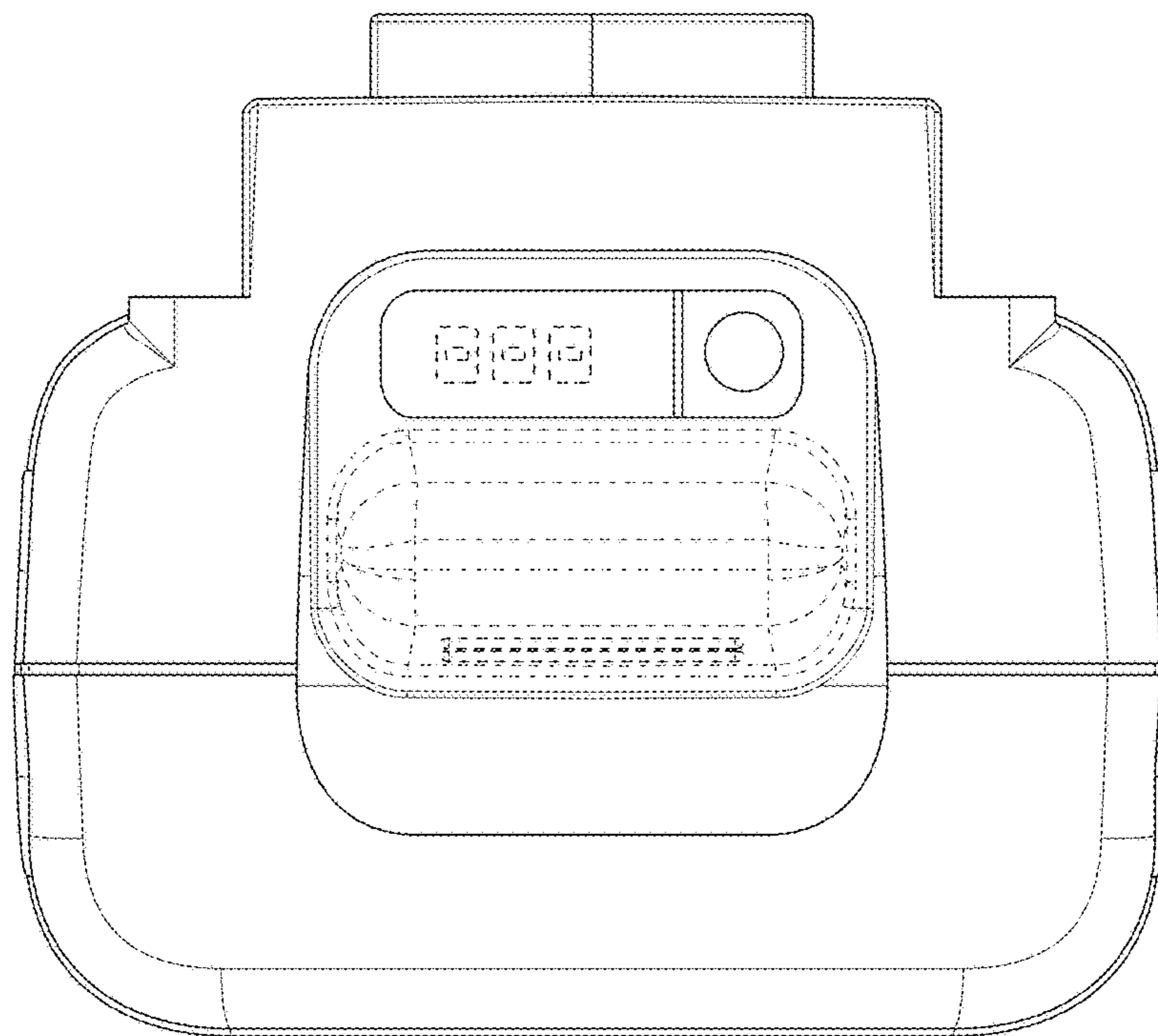


FIG. 7

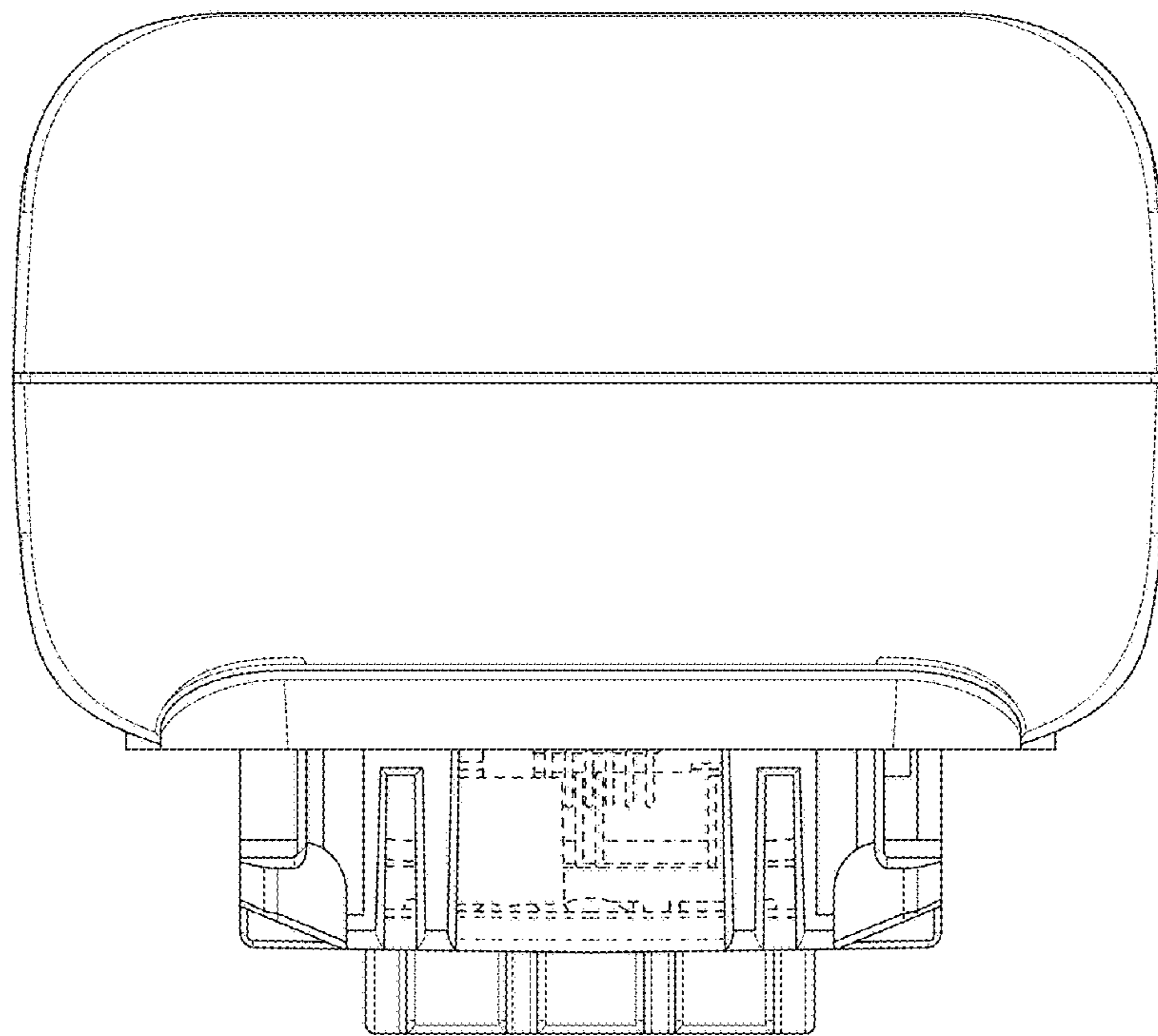


FIG. 8