



US00D856268S

(12) **United States Design Patent** (10) **Patent No.:** **US D856,268 S**  
**Sprowl et al.** (45) **Date of Patent:** **\*\* Aug. 13, 2019**

- (54) **MODEL VEHICLE TIRE**
- (71) Applicant: **TRAXXAS LP**, McKinney, TX (US)
- (72) Inventors: **Jory Sprowl**, Wolfe City, TX (US);  
**Kent Poteet**, Lucas, TX (US)
- (73) Assignee: **TRAXXAS L.P.**, McKinney, TX (US)
- (\*\*) Term: **15 Years**
- (21) Appl. No.: **29/631,748**
- (22) Filed: **Jan. 2, 2018**
- (51) **LOC (12) Cl.** ..... **12-15**
- (52) **U.S. Cl.**  
USPC ..... **D12/544**
- (58) **Field of Classification Search**  
USPC ..... D12/533–567  
CPC . B60C 11/00; B60C 11/0302; B60C 11/0306;  
B60C 11/0311; B60C 11/0313  
See application file for complete search history.

D441,697 S 5/2001 Allison  
D445,379 S 7/2001 Guspodin et al.  
D445,381 S 7/2001 Guspodin et al.  
(Continued)

**OTHER PUBLICATIONS**

“Goodyear Tires, “Wrangler MT/R” web page:[http://www.goodyear tires.com/goodyear tires selector/display\\_tire.jsp?prodline=Wrangler+MT%2FR&mrktarea=Light+Truck&treadwidth=&aspectratio=&rimdiameter=&sidewall](http://www.goodyear tires.com/goodyear tires selector/display_tire.jsp?prodline=Wrangler+MT%2FR&mrktarea=Light+Truck&treadwidth=&aspectratio=&rimdiameter=&sidewall)”.  
(Continued)

*Primary Examiner* — George D. Kirschbaum  
*Assistant Examiner* — Joseph J Kukella  
(74) *Attorney, Agent, or Firm* — Daryl R. Wright; Greg Carr

(57) **CLAIM**

We claim the ornamental design for a model vehicle tire, as shown and described.

**DESCRIPTION**

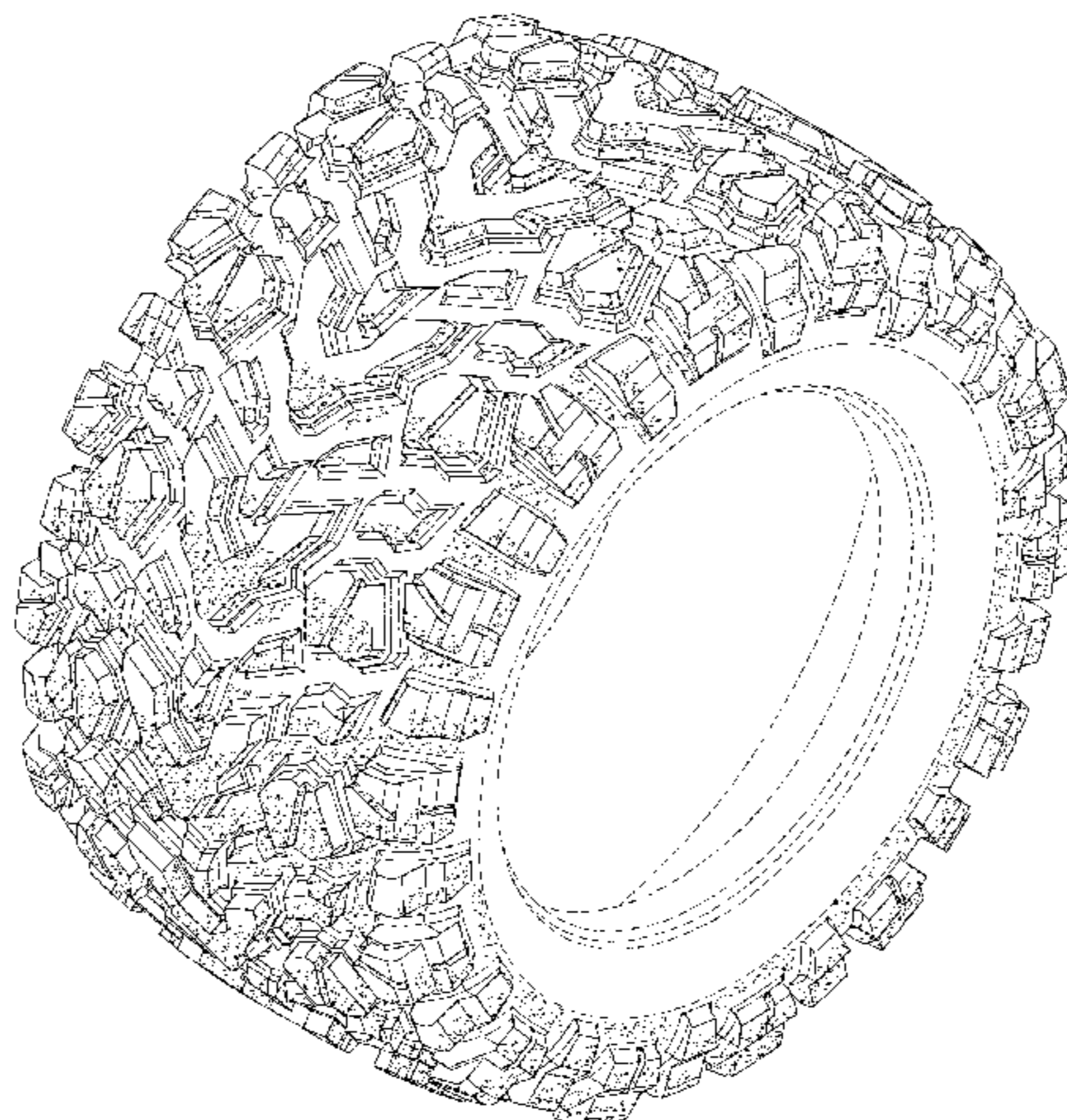
FIG. 1 is a top, right, front perspective view of a model vehicle tire;  
FIG. 2 is front elevation view thereof; the rear elevation view is a rotated view of the front elevation view; and the top and bottom plan views are identical to the front and rear elevation views;  
FIG. 3 is a right side elevation view thereof; the left side elevation view is a mirror image of the right side elevation view; and,  
FIG. 4 is a top, left, front environmental perspective view showing an environmental structure and context of the present invention.  
In the drawings, the broken line showing of features of a model vehicle tire illustrate portions of the model vehicle tire that form no part of the claimed design; whereas, the broken line showing of the environmental view depicts environmental subject matter and is provided for the purposes of illustrating environmental structure and context.

(56) **References Cited**

**U.S. PATENT DOCUMENTS**

D208,685 S	9/1967	Evans, Jr.	
D260,012 S	7/1981	Candiliotis	
D261,257 S	10/1981	Guidry	
D296,544 S	7/1988	Matsushita et al.	
D301,859 S *	6/1989	Igarashi	D12/544
D301,999 S *	7/1989	Fujiki	D12/544
D310,985 S	10/1990	Covert et al.	
D313,582 S	1/1991	Tsutsumi et al.	
D316,689 S	5/1991	Fujiki	
D316,695 S *	5/1991	Fujiki	D12/544
5,259,429 A	11/1993	Harms	
D379,442 S	5/1997	Ratliff, Jr.	
D384,013 S *	9/1997	Thomas	D12/544
D391,211 S	2/1998	Maxwell	
D400,141 S	10/1998	Maxwell	
D428,587 S	7/2000	Maxwell	
6,142,200 A	11/2000	Feider et al.	

**1 Claim, 4 Drawing Sheets**



(56)

References Cited

U.S. PATENT DOCUMENTS

D456,344 S 4/2002 Rooney  
 D483,718 S 12/2003 Hutz  
 D487,057 S 2/2004 Rooney et al.  
 D492,644 S 7/2004 Maxwell  
 D492,931 S 7/2004 Maxwell et al.  
 D496,328 S 9/2004 Shondel et al.  
 D500,010 S 12/2004 Maziarka et al.  
 D504,656 S 5/2005 Green et al.  
 D505,382 S 5/2005 Green et al.  
 D505,385 S 5/2005 Green et al.  
 6,920,906 B2 7/2005 Allison et al.  
 D508,674 S 8/2005 Dumigan et al.  
 D511,738 S 11/2005 Maxwell  
 D512,369 S 12/2005 Lo  
 D512,959 S 12/2005 Fukunaga  
 D514,501 S 2/2006 Nishimori  
 D522,450 S 6/2006 Gerasimczuk  
 D524,725 S 7/2006 Gerasimczuk  
 D534,485 S 1/2007 Nakamura  
 D534,487 S 1/2007 Dumigan et al.  
 D535,248 S 1/2007 Ashton et al.  
 D535,610 S 1/2007 Morito et al.  
 D535,611 S 1/2007 Sundkvist et al.  
 D544,830 S 6/2007 Umstot et al.  
 D555,076 S \* 11/2007 Sakakibara ..... D12/544  
 D555,077 S \* 11/2007 Lo ..... D12/544  
 D556,673 S 12/2007 Missik-Gaffney et al.  
 D556,674 S 12/2007 Missik-Gaffney et al.  
 D560,596 S \* 1/2008 Sakakibara ..... D12/544  
 D568,233 S 5/2008 Dixon et al.  
 D577,658 S 9/2008 Murata  
 D594,401 S 6/2009 Guidry  
 D601,487 S 10/2009 Ebel et al.  
 D612,797 S \* 3/2010 Lo ..... D12/544  
 D619,529 S 7/2010 Georges et al.  
 D621,342 S 8/2010 Osaka  
 D627,709 S 11/2010 Harvey et al.  
 D632,244 S 2/2011 Green  
 D634,265 S 3/2011 Shan et al.

D653,195 S 1/2012 Sareen  
 D653,196 S 1/2012 Buchinger-Barnstorf  
 D653,198 S 1/2012 Buchinger-Barnstorf  
 D668,204 S 10/2012 Leendertse et al.  
 D671,486 S 11/2012 Rooney et al.  
 D691,943 S 10/2013 Ma  
 D706,707 S 6/2014 Jacobs  
 D707,620 S 6/2014 Barajas et al.  
 D709,435 S 7/2014 Jacobs  
 D713,328 S 9/2014 Umstot et al.  
 D719,083 S 12/2014 Hayashi  
 D732,463 S 6/2015 Petr et al.  
 D743,874 S 11/2015 Philipot et al.  
 D751,030 S \* 3/2016 Chen ..... D12/544  
 D753,056 S 4/2016 Kuwano  
 D767,474 S 9/2016 Reim et al.  
 D775,061 S 12/2016 Ishiguro et al.  
 D781,777 S 3/2017 Hayashi  
 D783,510 S 4/2017 Thornburg  
 D785,548 S 5/2017 Fukunaga et al.  
 D791,687 S 7/2017 Sueyoshi  
 D795,796 S 8/2017 Johnson  
 D796,426 S 9/2017 Liu  
 D810,002 S \* 2/2018 Sprowl ..... D12/544

OTHER PUBLICATIONS

Interco Tire, "TM Appl'n No. 74279000" Interco Tire Corporation, Rayne LA USA, May 27, 1992.  
 Traxxas, www.traxxas.com archive web page Jul. 10, 2004, Traxxas LP, Plano TX USA, Jul. 10, 2004.  
 Traxxas, "REVO Owners Manual", Traxxas LP, Plano TX USA; Jul. 2004.  
 Traxxas, "REVO Service and Support Guide/Parts List", Traxxas LP, Plano TX USA; Jul. 2004.  
 Traxxas, "REVO Power.Precision.Balance" product announcement web pages, traxxas.com; Traxxas LP, Plano, TX USA, Apr. 8, 2004.  
 Kumho Tire; <http://www.kumhousa.com/tire/category/truck-suv/F8656BD8-0A87-4166-82B5-0DF52D4AC17E>; Sep. 2016.  
 Traxxas; Tires, Maxx AT; Sep. 2016.

\* cited by examiner

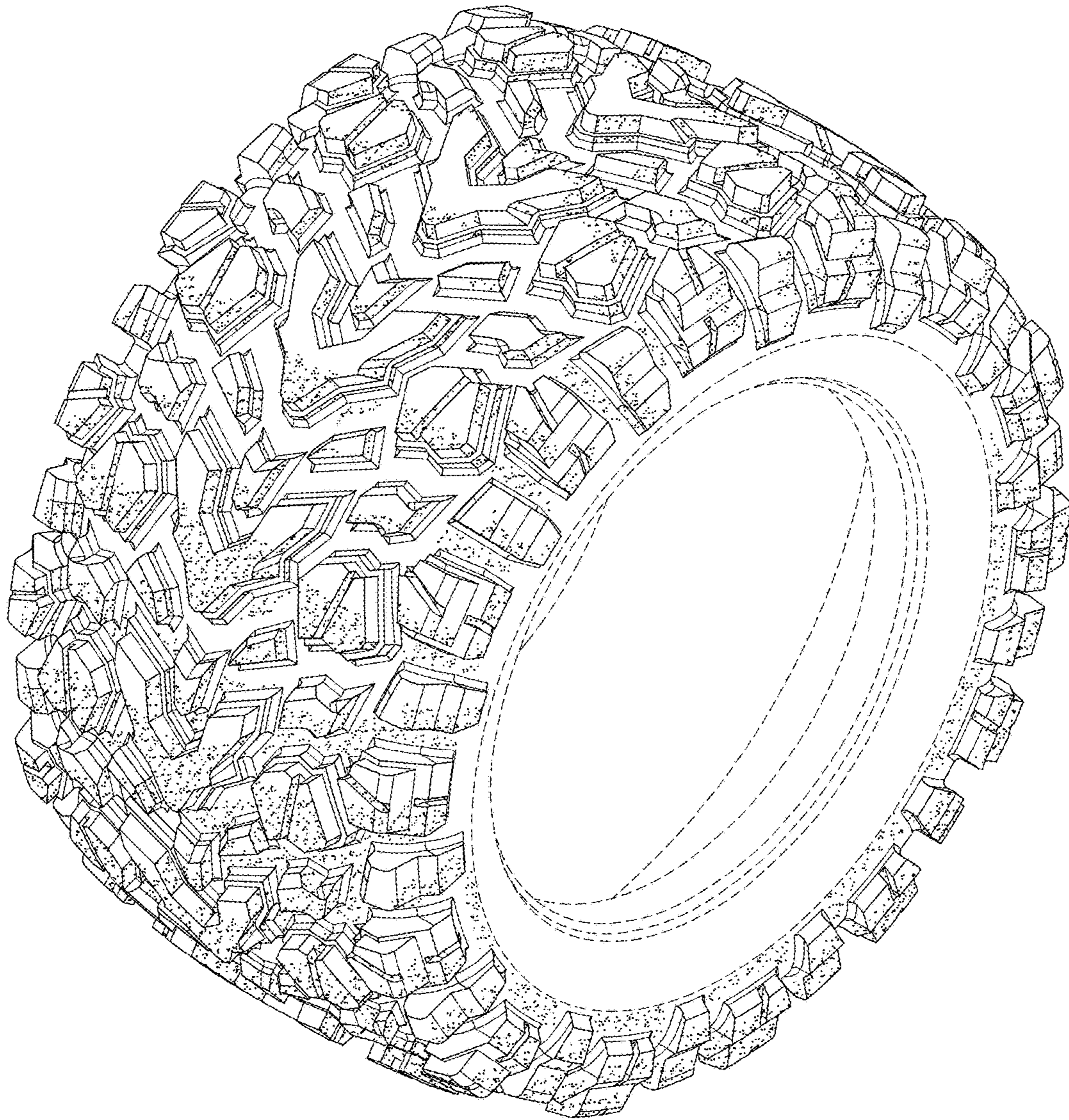


FIG. 1

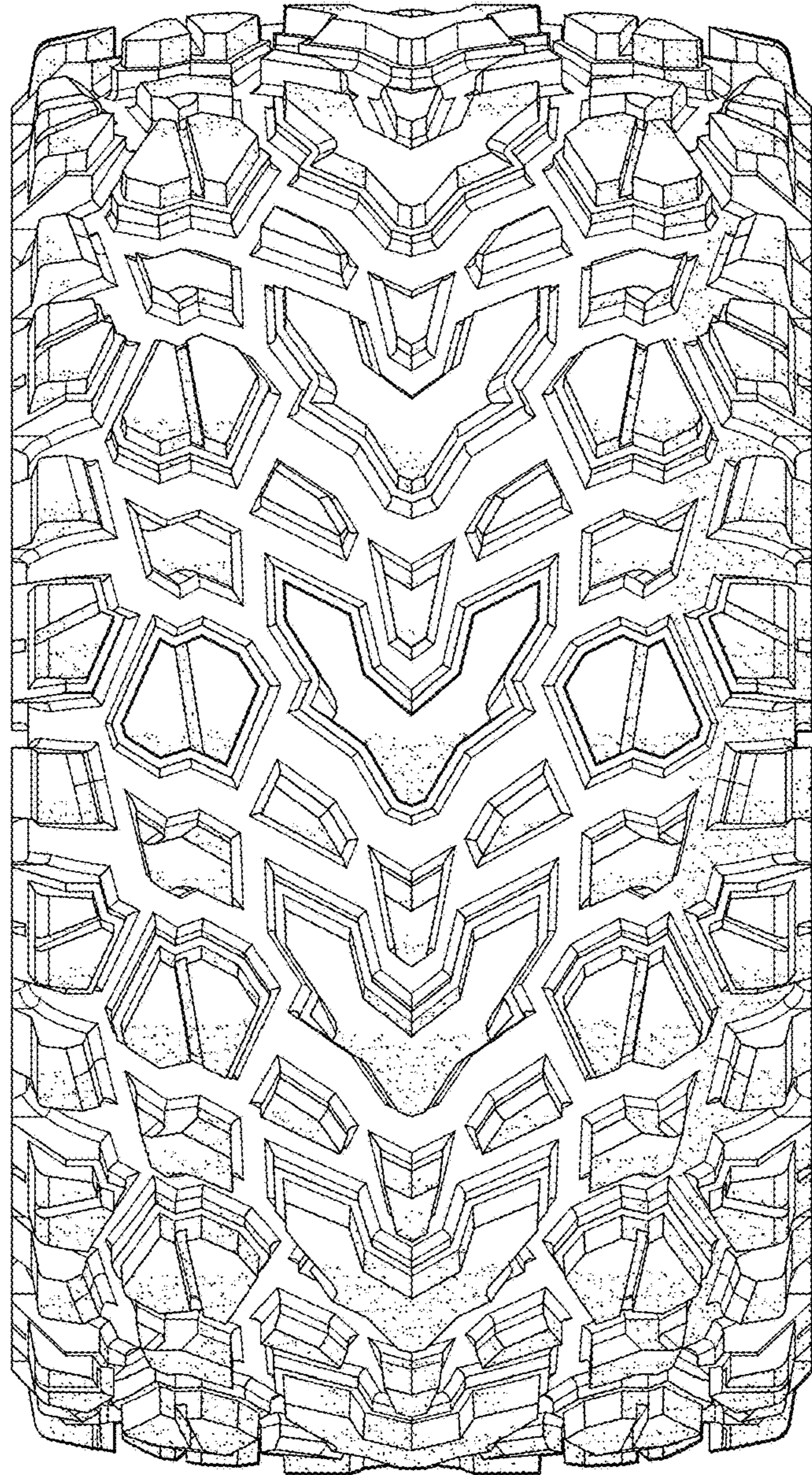


FIG. 2

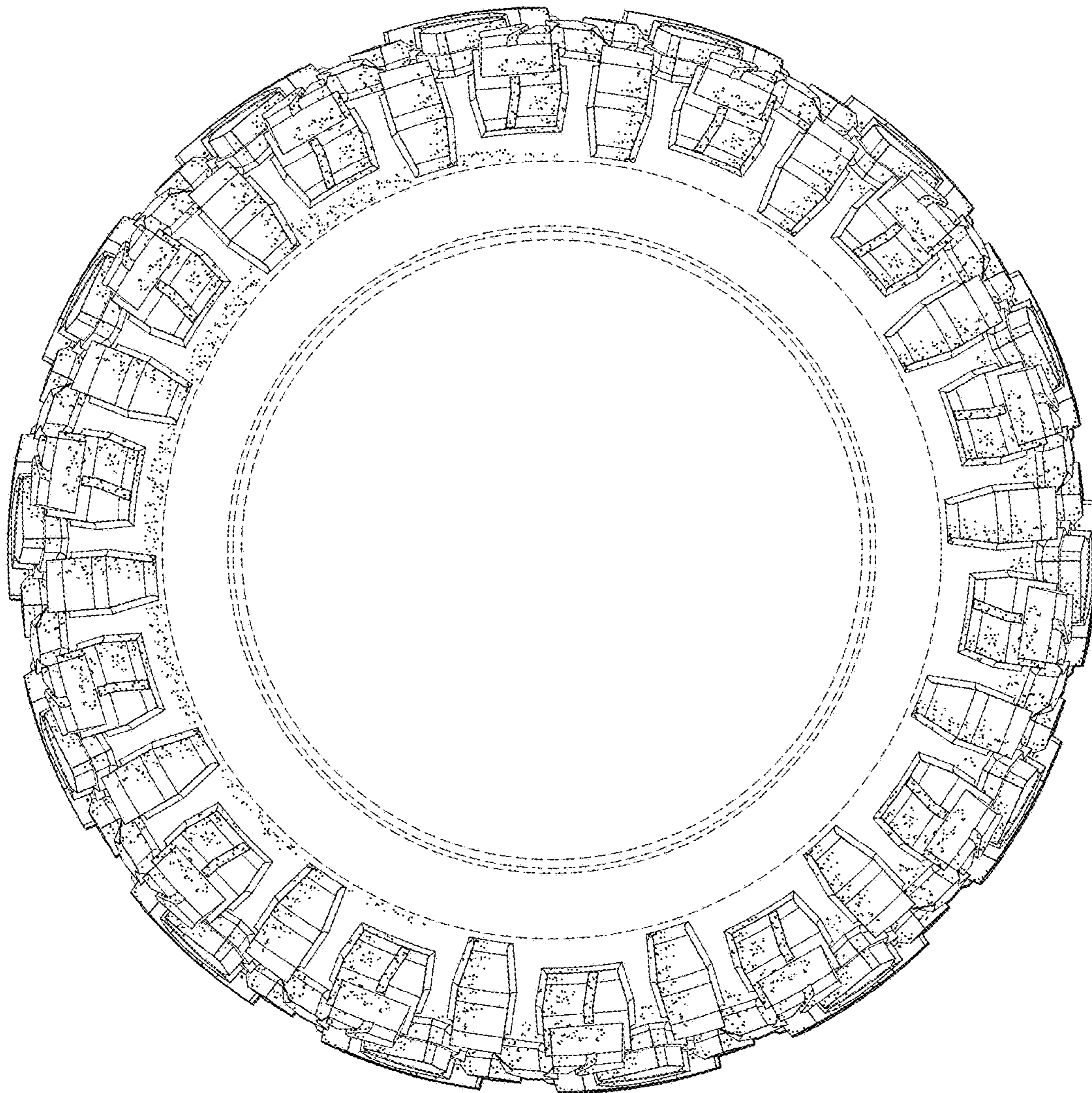


FIG. 3

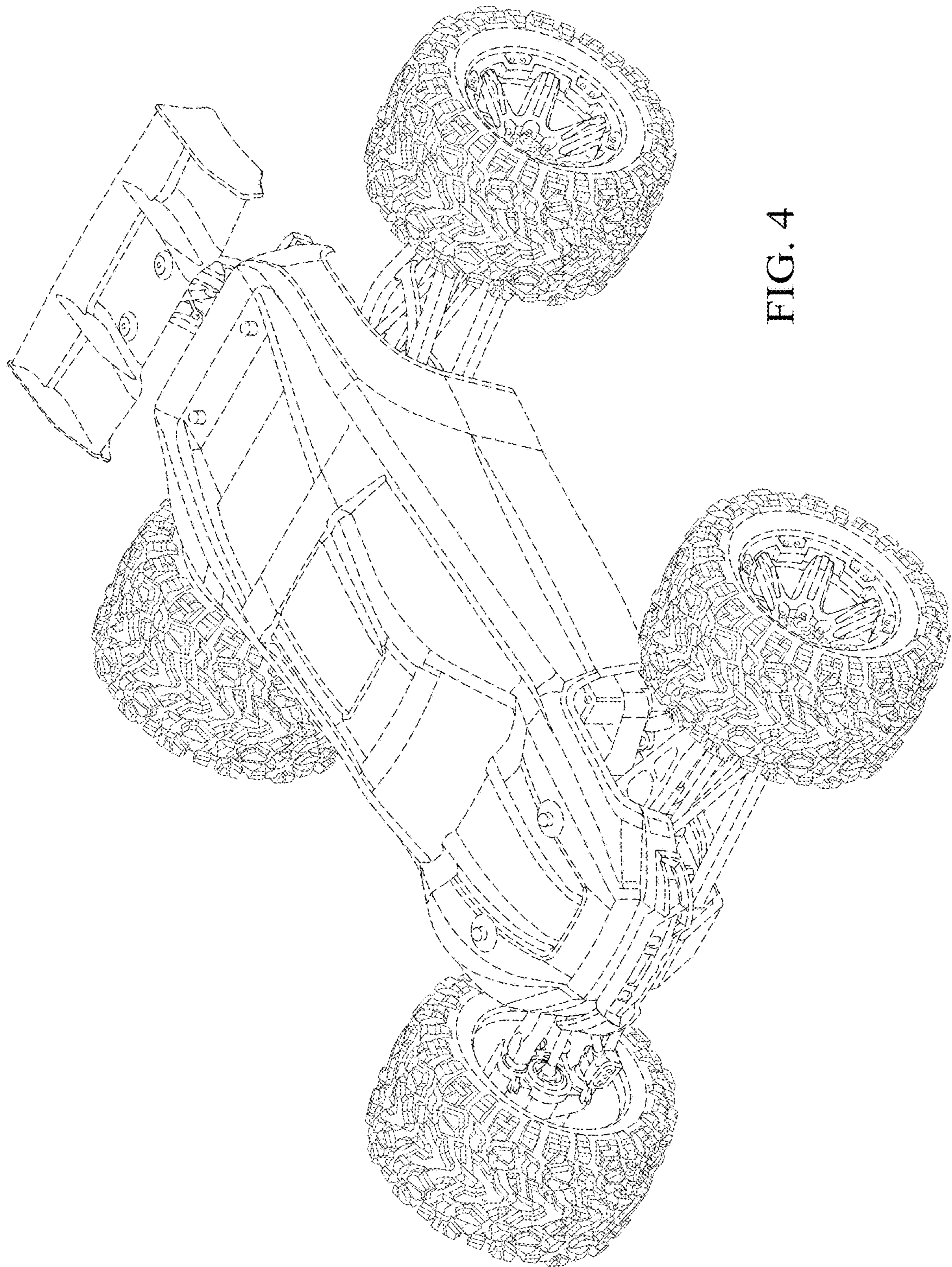


FIG. 4