



US00D856265S

(12) **United States Design Patent** (10) **Patent No.:** **US D856,265 S**
Tomasson et al. (45) **Date of Patent:** **** Aug. 13, 2019**

(54) **CENTRAL CONSOLE**
(71) Applicant: **NIO NEXTEV LIMITED**, Hong Kong (HK)
(72) Inventors: **Kris Tomasson**, Hong Kong (HK); **Jochen Paesen**, Hong Kong (HK); **Julien Cueff**, Hong Kong (HK)
(73) Assignee: **NIO NEXTEV LIMITED**, Hong Kong (HK)
(**) Term: **15 Years**
(21) Appl. No.: **29/613,694**
(22) Filed: **Aug. 11, 2017**
(30) **Foreign Application Priority Data**

Apr. 17, 2017 (CN) 2017 3 0127210
(51) **LOC (12) Cl.** **12-16**
(52) **U.S. Cl.**
USPC **D12/419**
(58) **Field of Classification Search**
USPC D12/415, 419
CPC B60N 2/46; B60N 3/10; C03C 3/085
See application file for complete search history.

(56) **References Cited**
U.S. PATENT DOCUMENTS
D724,521 S * 3/2015 Ashley D12/419
D725,583 S * 3/2015 Seki D12/419

D766,811 S * 9/2016 Shouno D12/419
D770,361 S * 11/2016 Chan D12/419
D781,210 S * 3/2017 Itou D12/419
D808,330 S * 1/2018 Kuwahara D12/419
D824,838 S * 8/2018 Takamura D12/419
D827,549 S * 9/2018 Igarashi D12/419
D830,951 S * 10/2018 Karasawa D12/419
D832,187 S * 10/2018 Buffery D12/419
D836,059 S * 12/2018 Takagi D12/415
D836,060 S * 12/2018 Takagi D12/415

* cited by examiner
Primary Examiner — Katrina A Betton
(74) *Attorney, Agent, or Firm* — Hogan Lovells US LLP

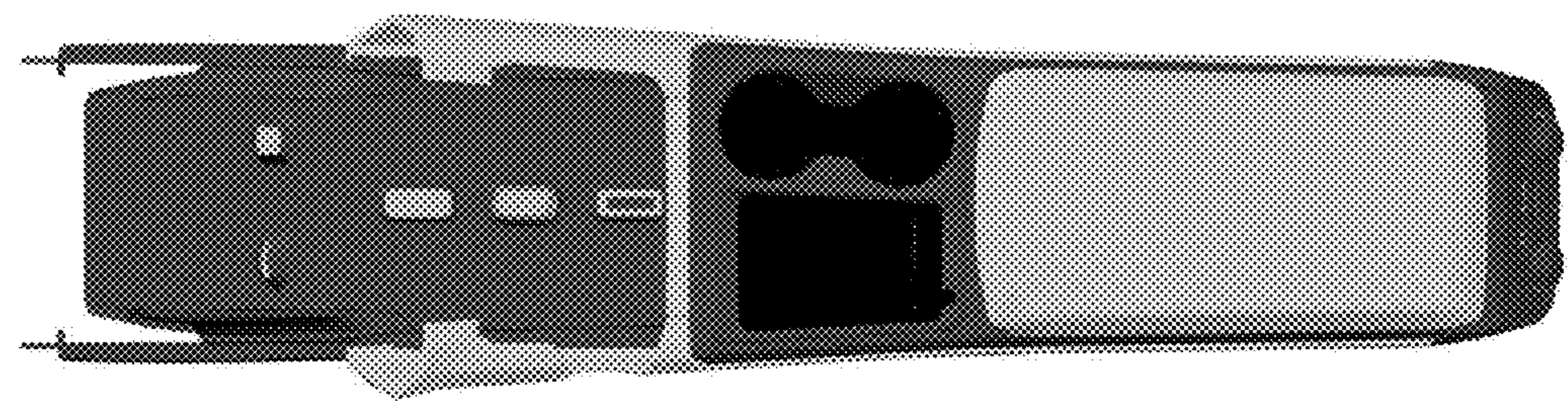
(57) **CLAIM**

The ornamental design for a central console, as shown and described.

DESCRIPTION

FIG. 1 is a left view thereof;
FIG. 2 is a right view thereof;
FIG. 3 is a front side view thereof;
FIG. 4 is a rear view thereof;
FIG. 5 is a top view thereof;
FIG. 6 is a bottom view thereof;
FIG. 7 is a perspective view thereof; and,
FIG. 8 is a perspective view thereof.

1 Claim, 5 Drawing Sheets



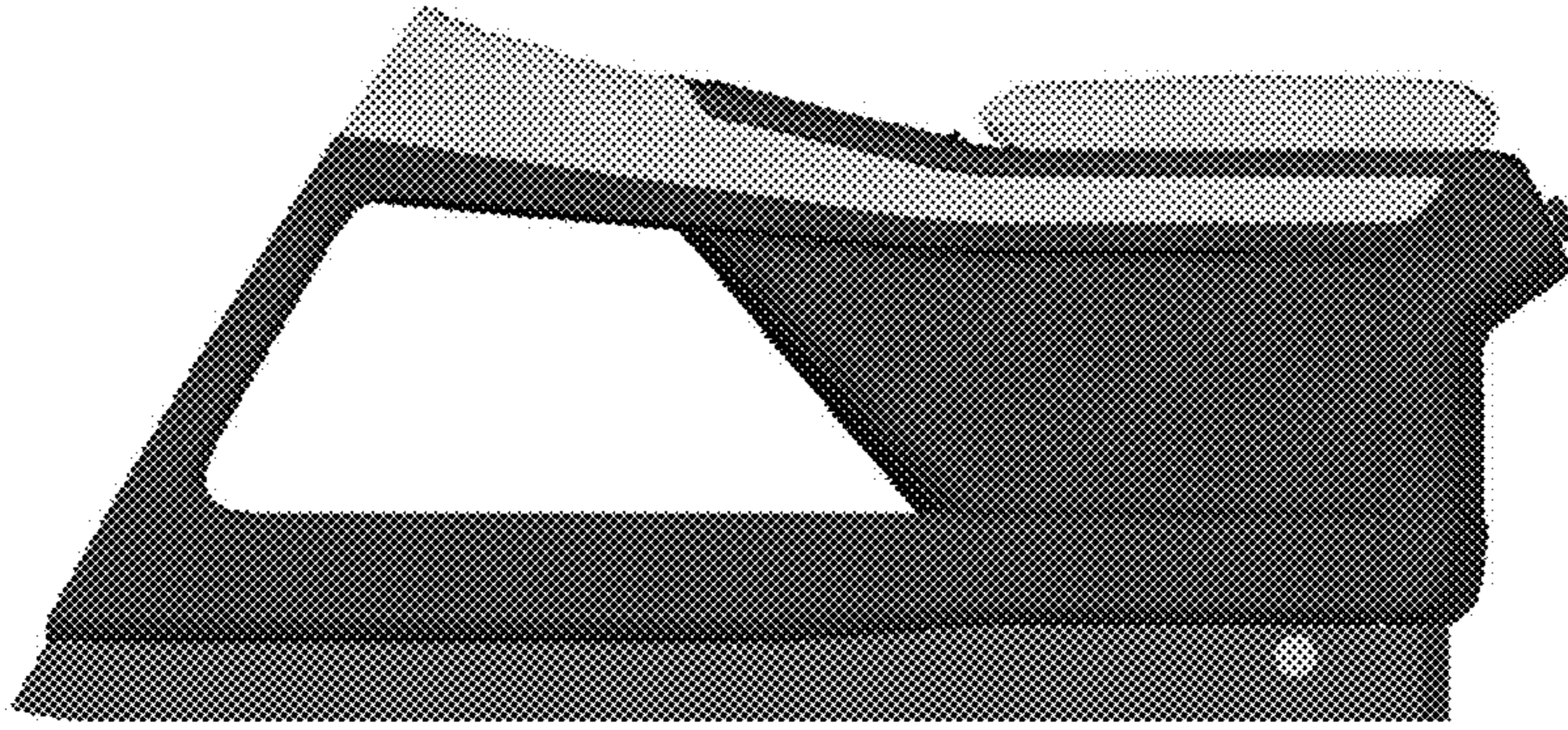


Fig. 1

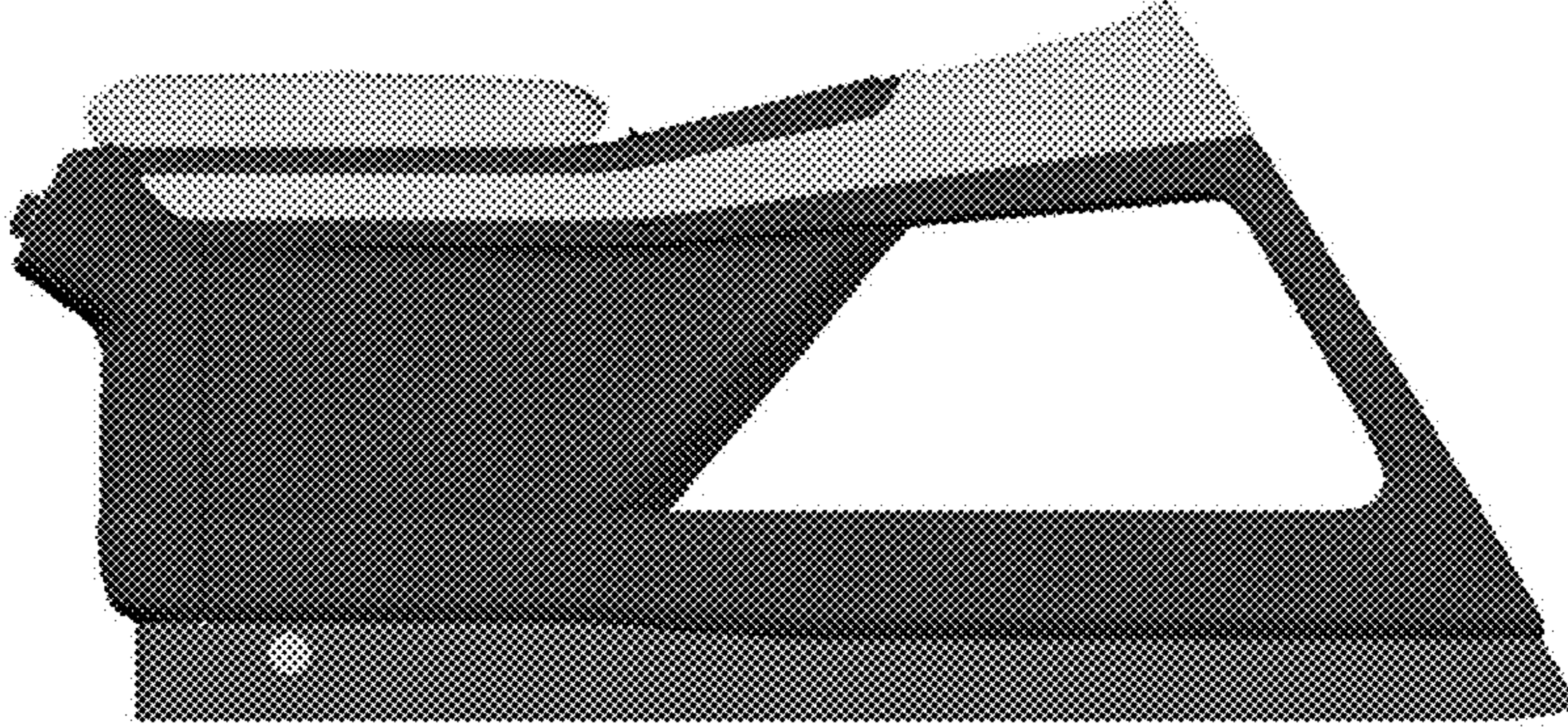


Fig. 2

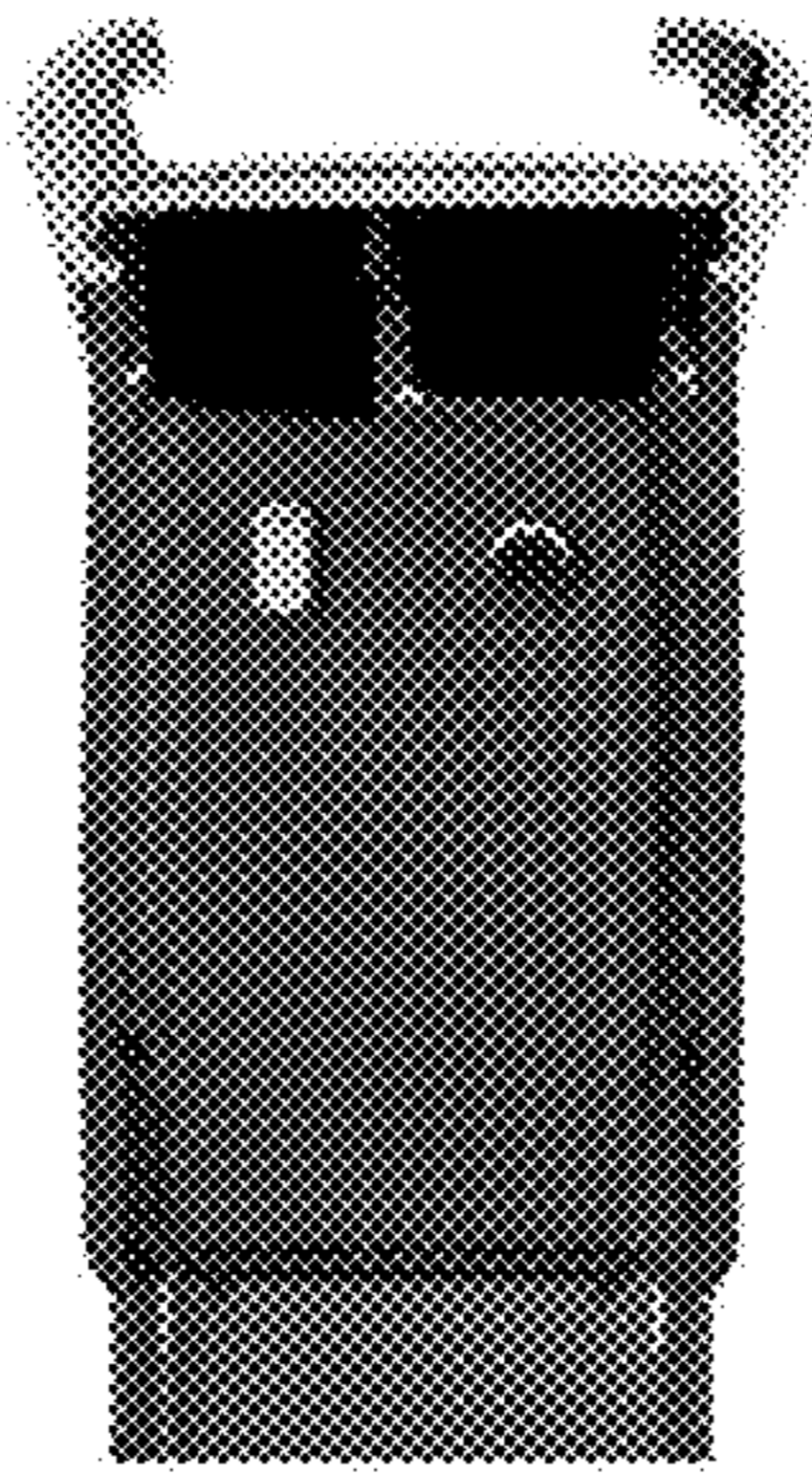


Fig. 3

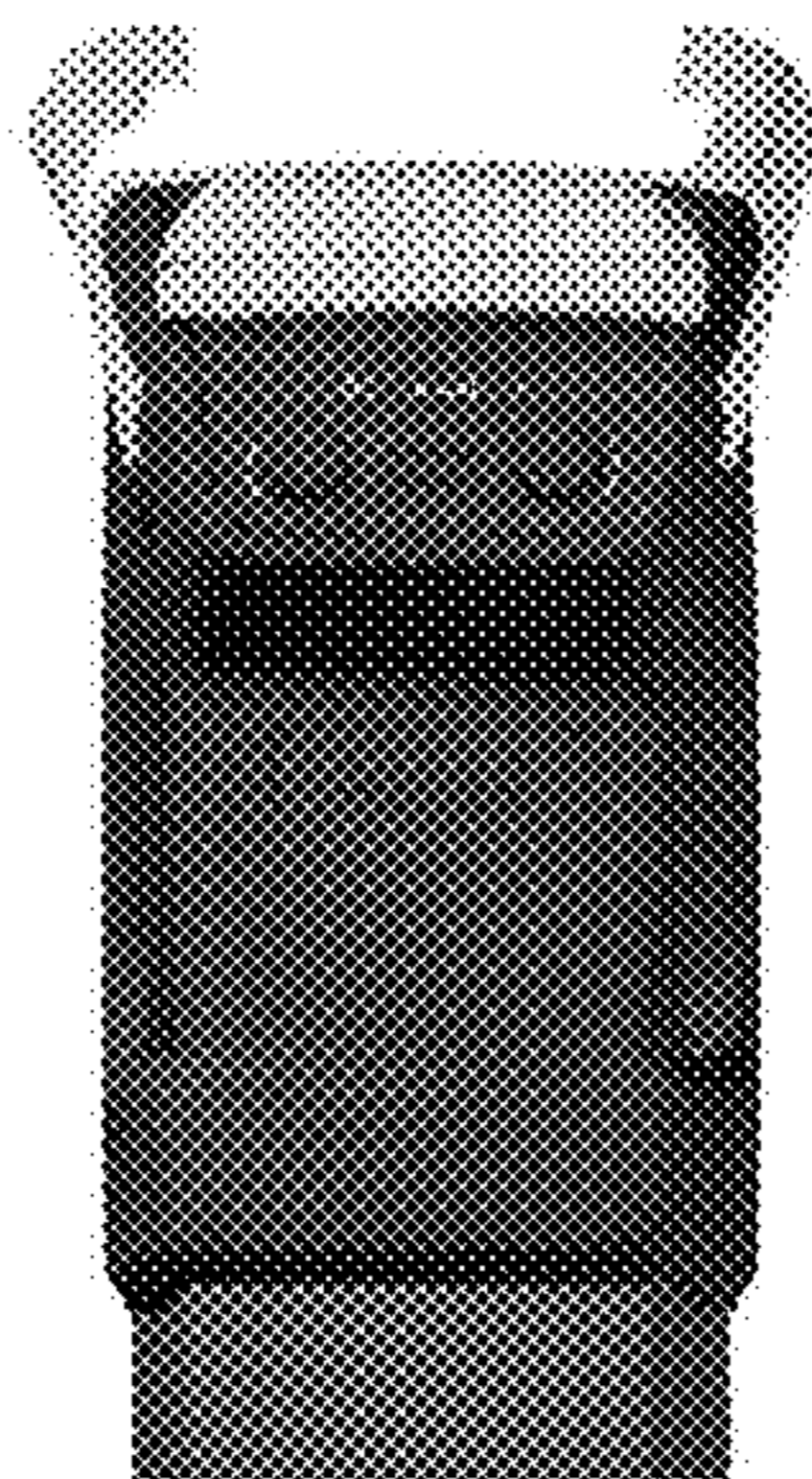


Fig. 4

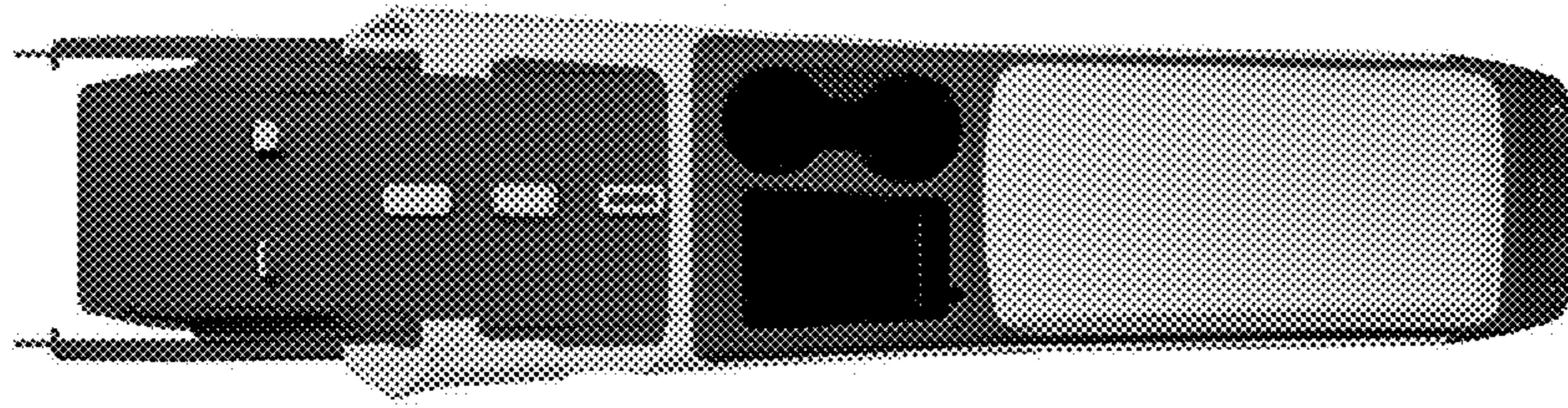


Fig. 5

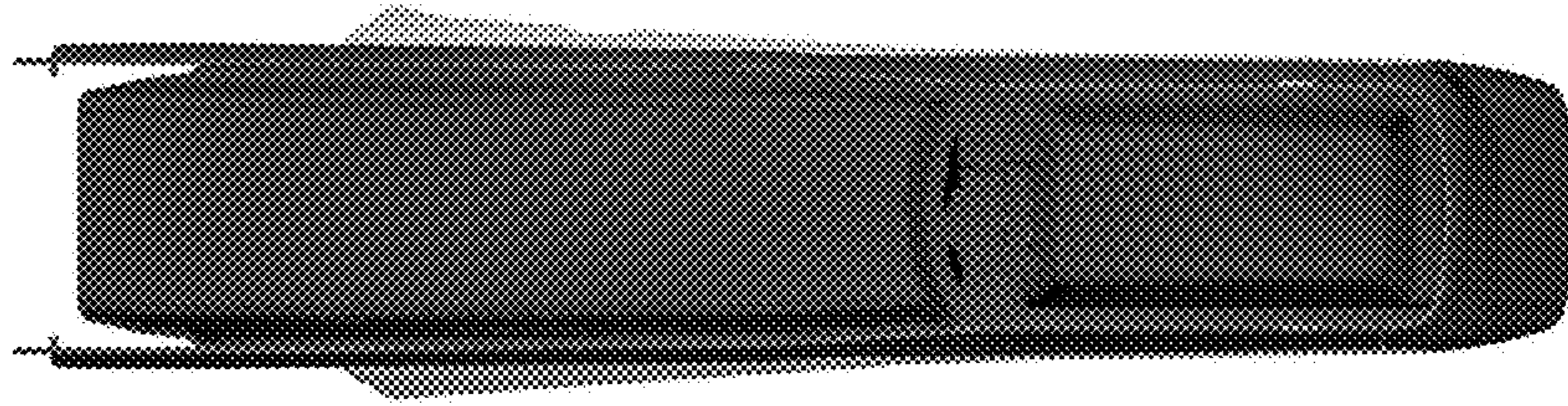


Fig. 6

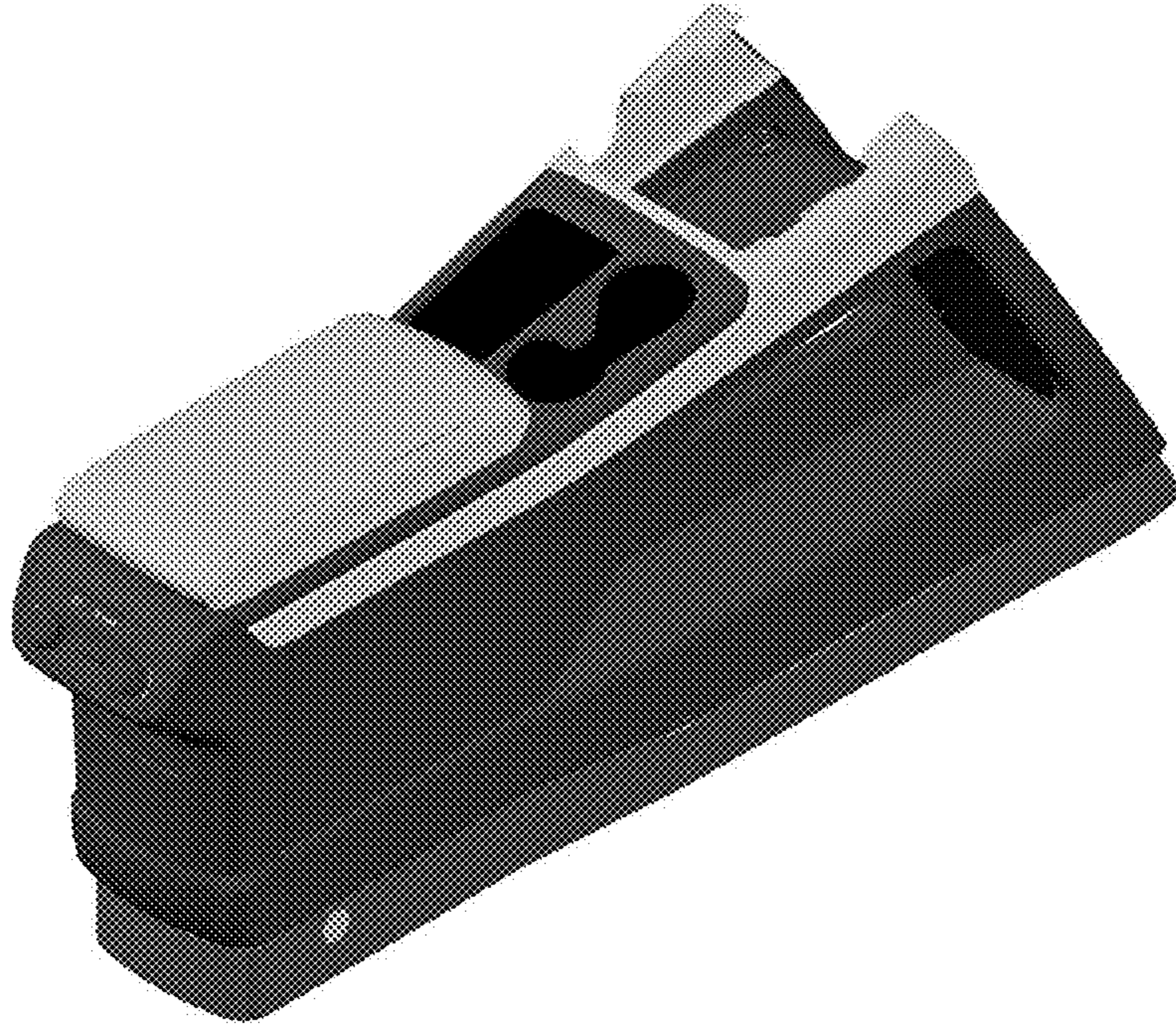


Fig. 7

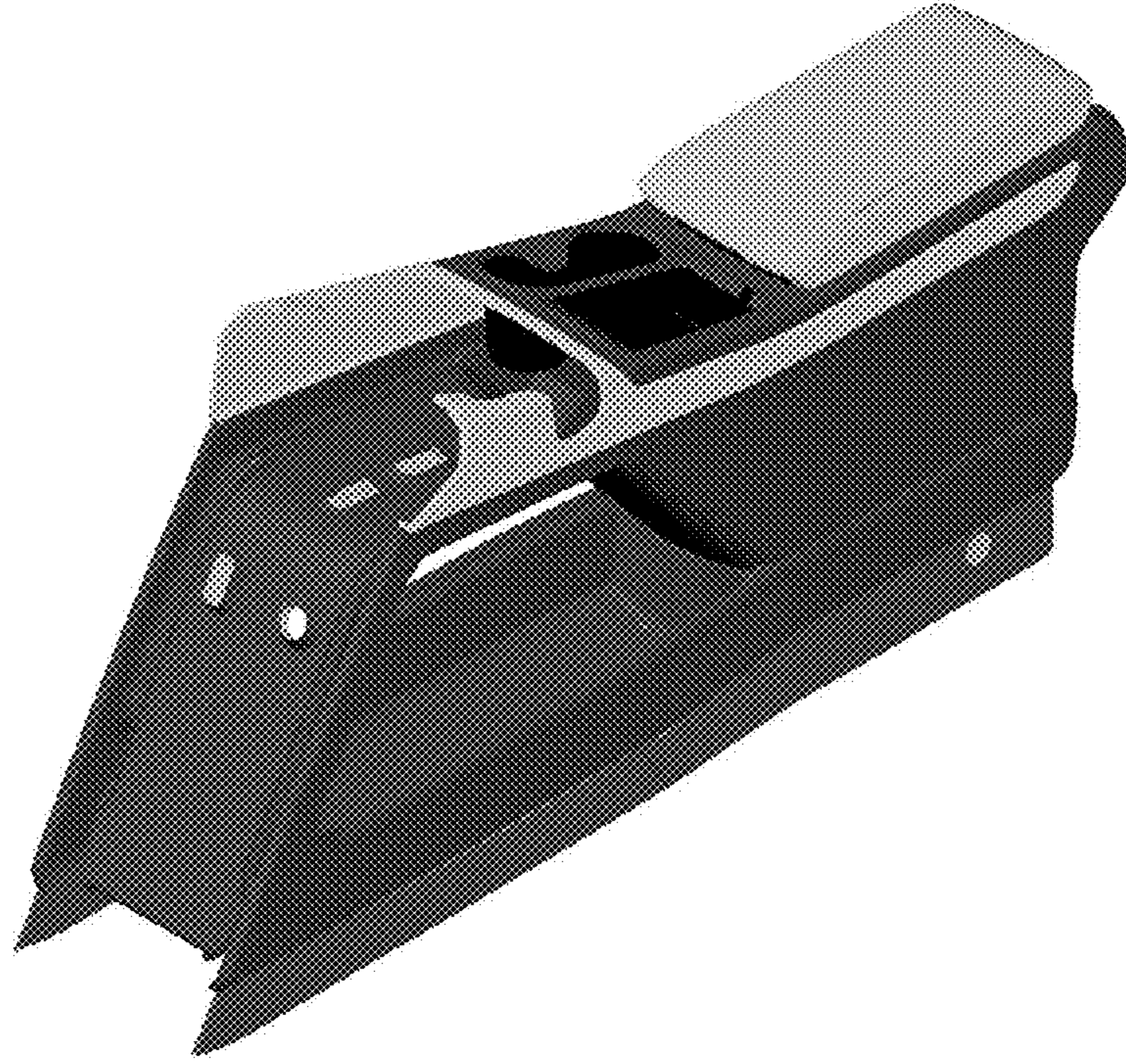


Fig. 8