



US00D856263S

(12) **United States Design Patent**  
**Ohtake**

(10) **Patent No.:** **US D856,263 S**

(45) **Date of Patent:** **\*\* Aug. 13, 2019**

(54) **CENTER CONSOLE FOR AN AUTOMOBILE**

(71) Applicant: **Nissan Motor Co., Ltd.**, Yokohama,  
Kanagawa (JP)

(72) Inventor: **Seiichi Ohtake**, Kanagawa (JP)

(73) Assignee: **Nissan Motor Co., Ltd.**, Yokohama  
(JP)

(\*\*) Term: **15 Years**

(21) Appl. No.: **29/639,173**

(22) Filed: **Mar. 5, 2018**

(30) **Foreign Application Priority Data**

Sep. 6, 2017 (JP) ..... 2017-019348

(51) **LOC (12) Cl.** ..... **12-16**

(52) **U.S. Cl.**  
USPC ..... **D12/415**

(58) **Field of Classification Search**  
USPC ..... D12/415-420, 400, 195, 191, 106, 345,  
D12/96, 99; D21/421; D7/619.1-625,  
D7/701

CPC .... B60R 7/04; B60R 7/06; B60R 7/08; B60N  
2/46

See application file for complete search history.

(56) **References Cited**

**U.S. PATENT DOCUMENTS**

D673,496 S *	1/2013	Kikuta .....	D12/415
D693,751 S *	11/2013	Ali .....	D12/192
D704,610 S *	5/2014	Mizuhata .....	D12/192
D711,810 S *	8/2014	Matsuo .....	D12/424
D711,811 S *	8/2014	Maruyama .....	D12/424
D721,996 S *	2/2015	Farcas .....	D12/192
D725,582 S *	3/2015	Kobari .....	D12/419
D725,583 S *	3/2015	Seki .....	D12/419
D727,231 S *	4/2015	Narita .....	D12/192
D764,387 S *	8/2016	Tanaka .....	D12/419
D765,017 S *	8/2016	Manzari .....	D12/419

D765,018 S *	8/2016	Sahs .....	D12/419
D766,811 S *	9/2016	Shouno .....	D12/419
D766,812 S *	9/2016	Kabata .....	D12/423

(Continued)

**FOREIGN PATENT DOCUMENTS**

CN 102826015 \* 12/2012 ..... B60K 37/00

**OTHER PUBLICATIONS**

Crown—Center Console, CarID.com, [online], [site visited Mar. 4, 2019]. <URL: <https://www.carid.com/crown/center-console.html>> (Year: 2019).\*

(Continued)

*Primary Examiner* — T Chase Nelson

*Assistant Examiner* — Jonathan J. Han

(57) **CLAIM**

The ornamental design for a center console for an automobile, as shown and described.

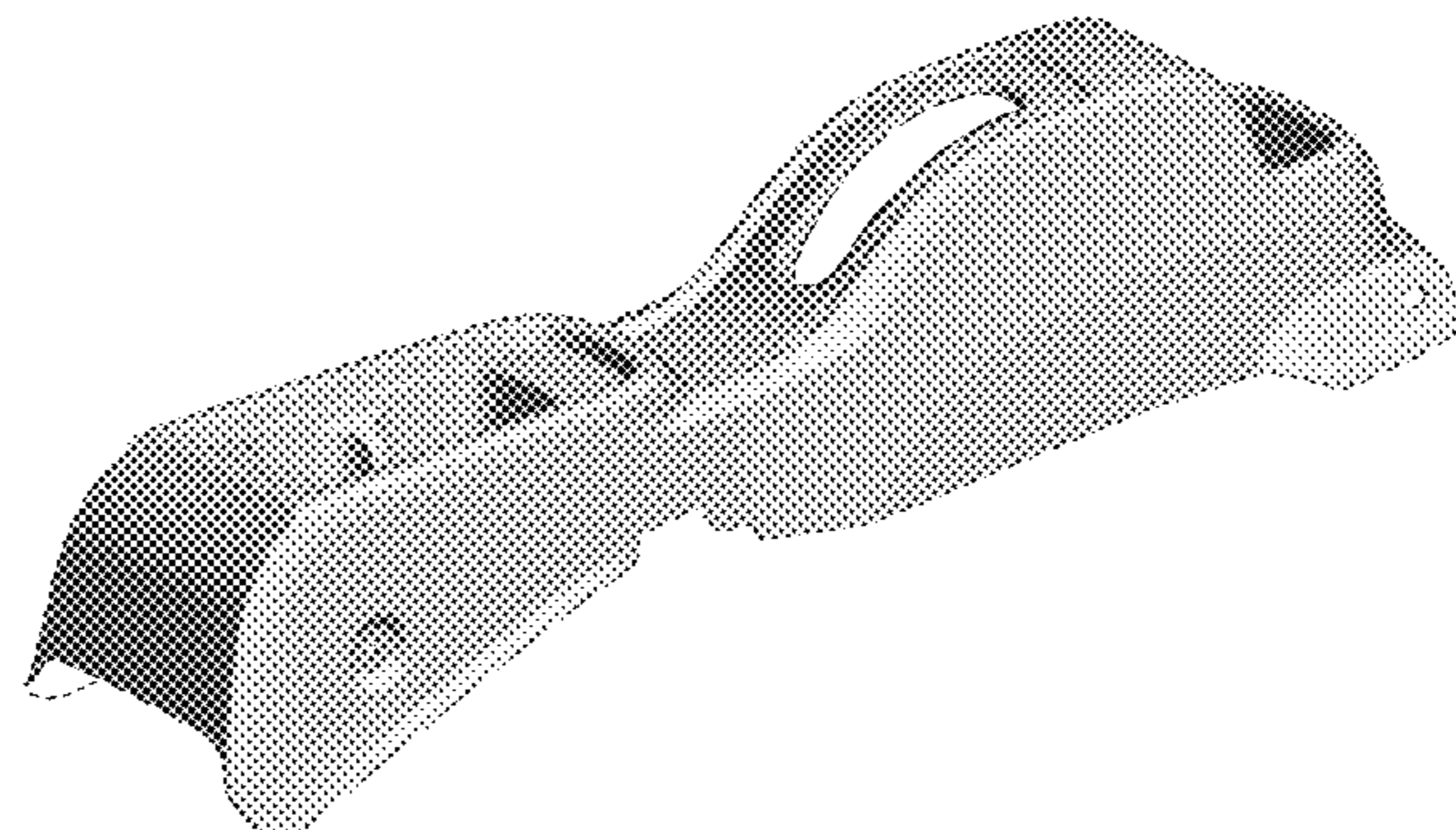
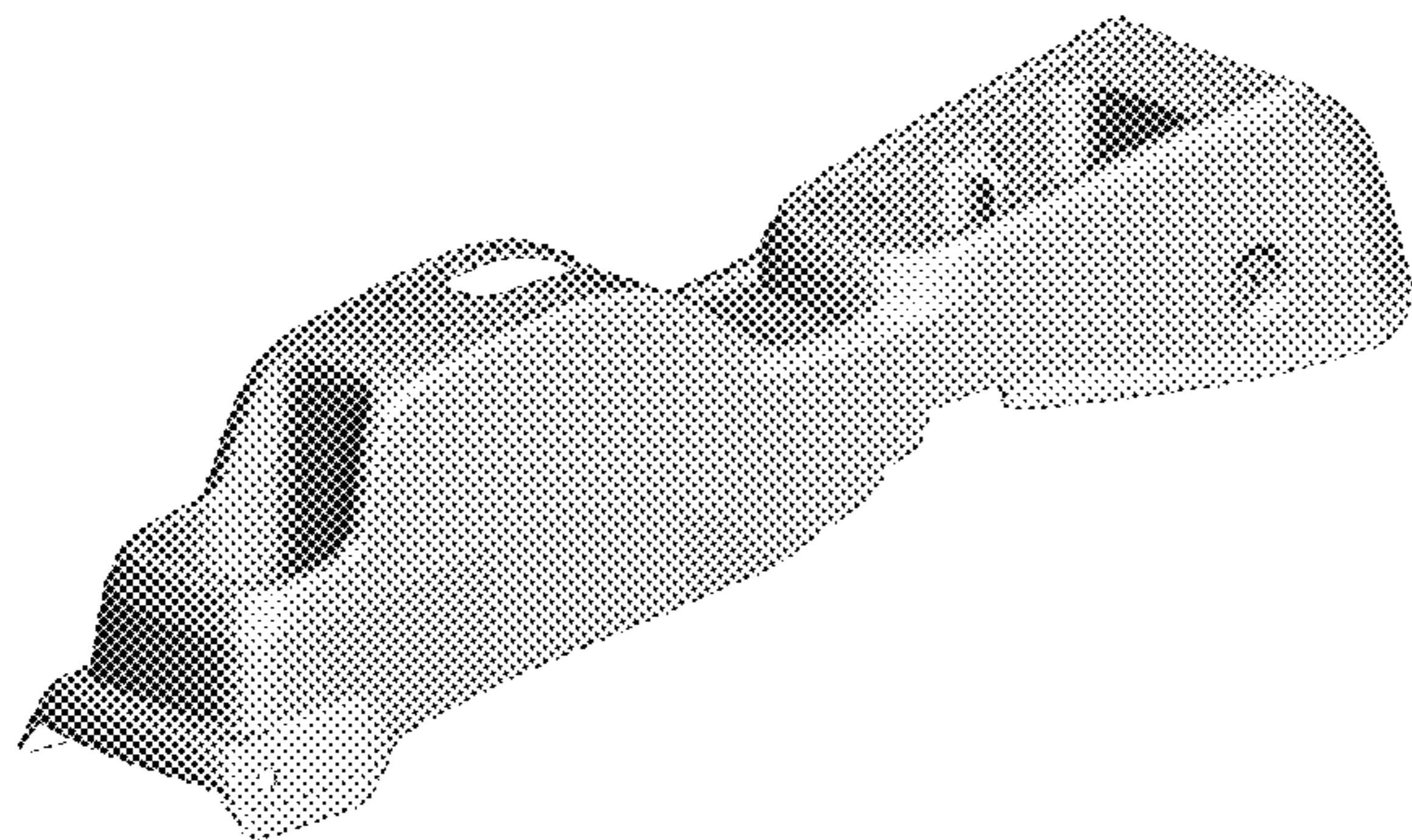
**DESCRIPTION**

FIG. 1 is a front elevational view of a center console for an automobile in accordance with my new design; FIG. 2 is a rear elevational view thereof; FIG. 3 is a top plan view thereof; FIG. 4 is a bottom plan view thereof; FIG. 5 is a left side elevational view thereof; FIG. 6 is a right side elevational view thereof; FIG. 7 is a first perspective view thereof; and, FIG. 8 is a second perspective view thereof.

The center console is configured to be mounted to an automobile. The inside surfaces of the center console, shown in broken lines in FIGS. 2 and 4 to 8, form no part of the claimed design since the inside surfaces are hidden when the center console is mounted to the automobile.

A second embodiment of my new design includes the mirror image of the center console shown in FIGS. 1 to 8.

**1 Claim, 8 Drawing Sheets**



(56)

**References Cited**

## U.S. PATENT DOCUMENTS

D770,361	S	*	11/2016	Chan	.....	D12/419
D781,210	S	*	3/2017	Itou	.....	D12/419
D786,758	S	*	5/2017	Chang	.....	D12/192
D788,020	S	*	5/2017	Yaguchi	.....	D12/415
D793,313	S	*	8/2017	Zimmermann	.....	D12/192
D803,120	S	*	11/2017	Boas	.....	D12/192
D808,873	S	*	1/2018	Joyce	.....	D12/192
D809,443	S	*	2/2018	Walker	.....	D12/192
D824,838	S	*	8/2018	Takamura	.....	D12/419
D827,549	S	*	9/2018	Igarashi	.....	D12/419
D828,259	S	*	9/2018	Takagi	.....	D12/192
D832,187	S	*	10/2018	Buffery	.....	D12/419
D835,567	S	*	12/2018	Gaudreau	.....	D12/415
D836,059	S	*	12/2018	Takagi	.....	D12/415
D836,060	S	*	12/2018	Takagi	.....	D12/415
D841,544	S	*	2/2019	Buffery	.....	D12/192

## OTHER PUBLICATIONS

K9Vic's 1999 police cruiser with cd changer mounted in console, idmsvcs.com, [online], [site visited Mar. 4, 2019]. <URL: <http://www.idmsvcs.com/2vmod/shoconsole/index.html>> (Year: 2019).\*

Center console tray Hyundai Tuco, ShazzyCar.com, [online], [site visited Mar. 4, 2019]. <URL: <https://shazzycar.com/product/center-console-tray-hyundai-tucson-2016-2017-2018-2019/>> (Year: 2019).\*

\* cited by examiner

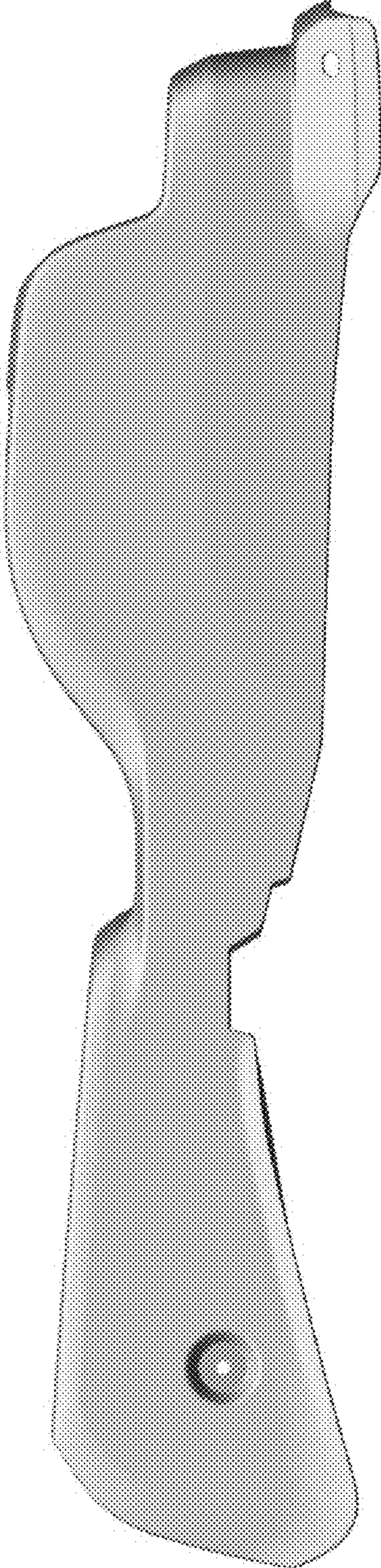


FIG. 1

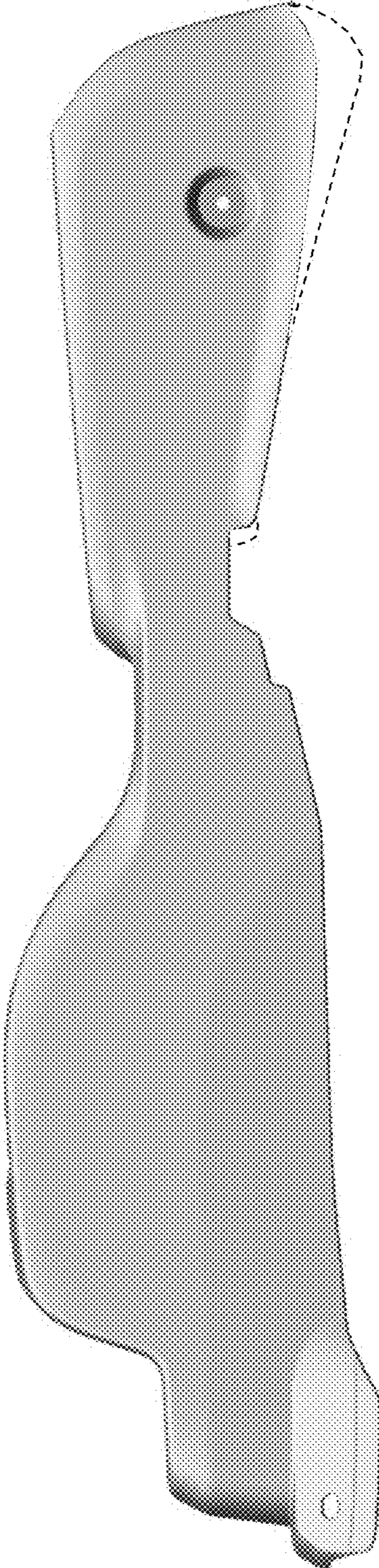


FIG. 2

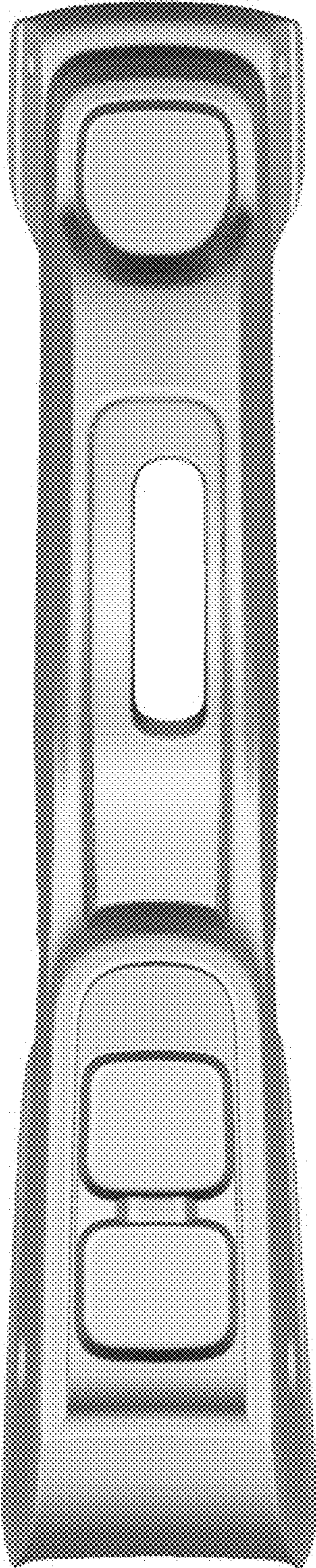


FIG. 3

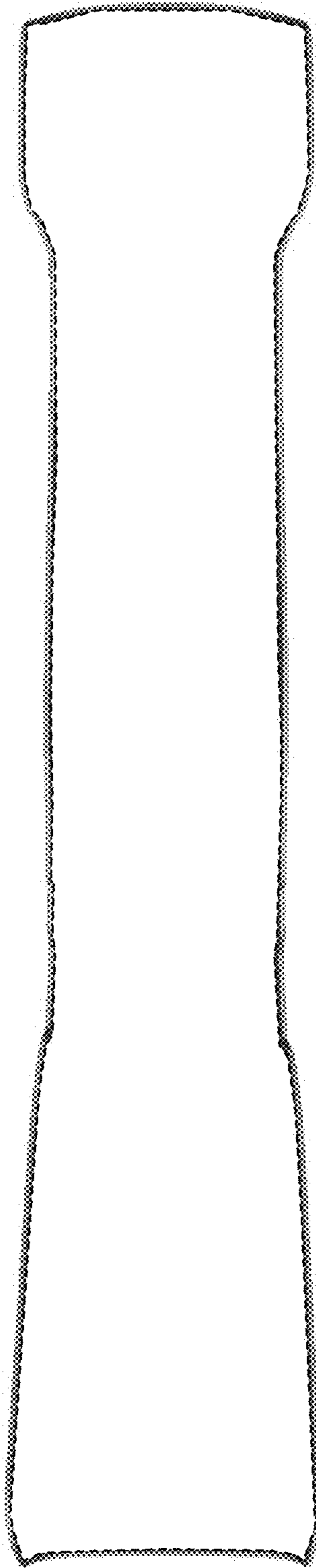


FIG. 4

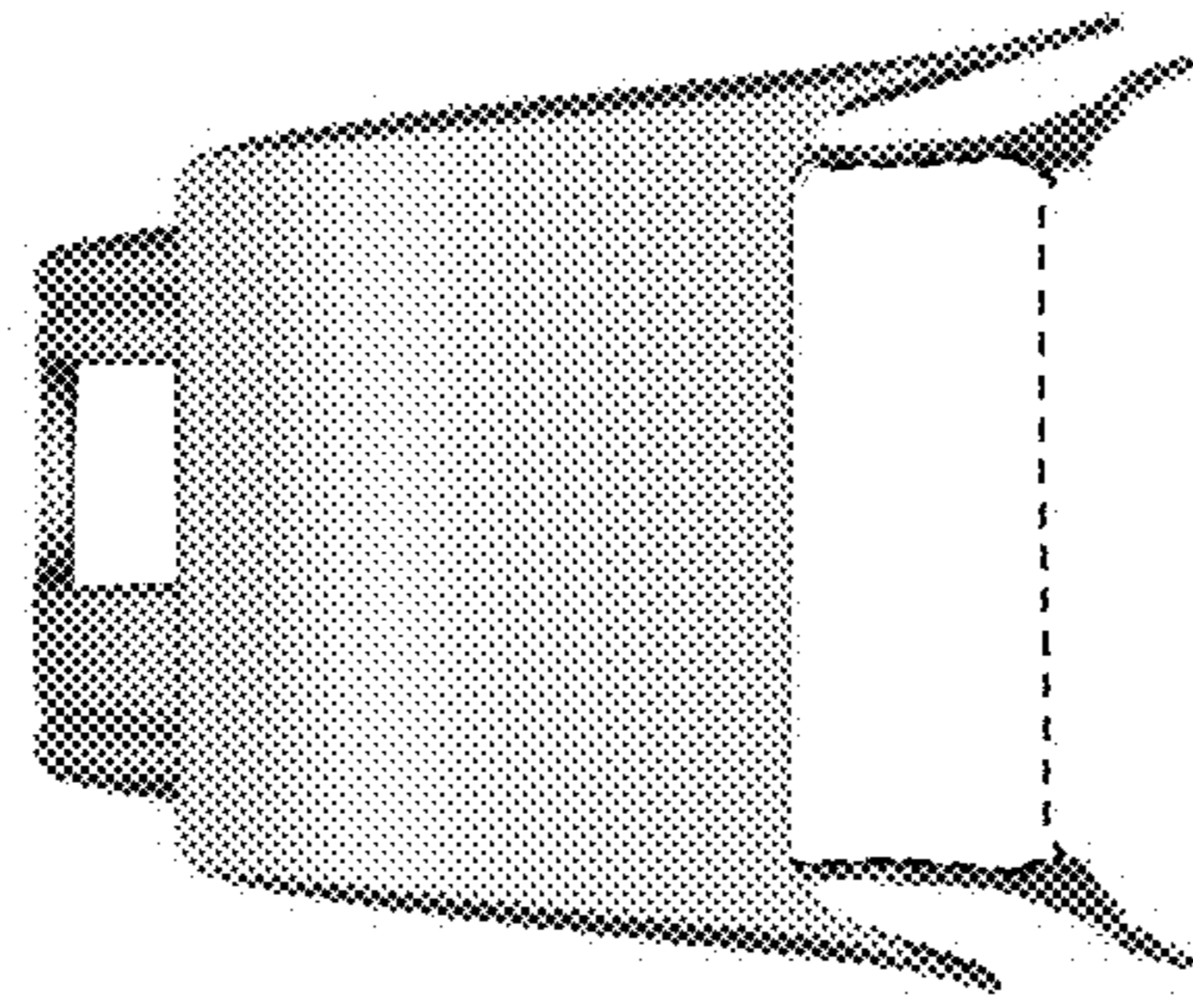


FIG. 5

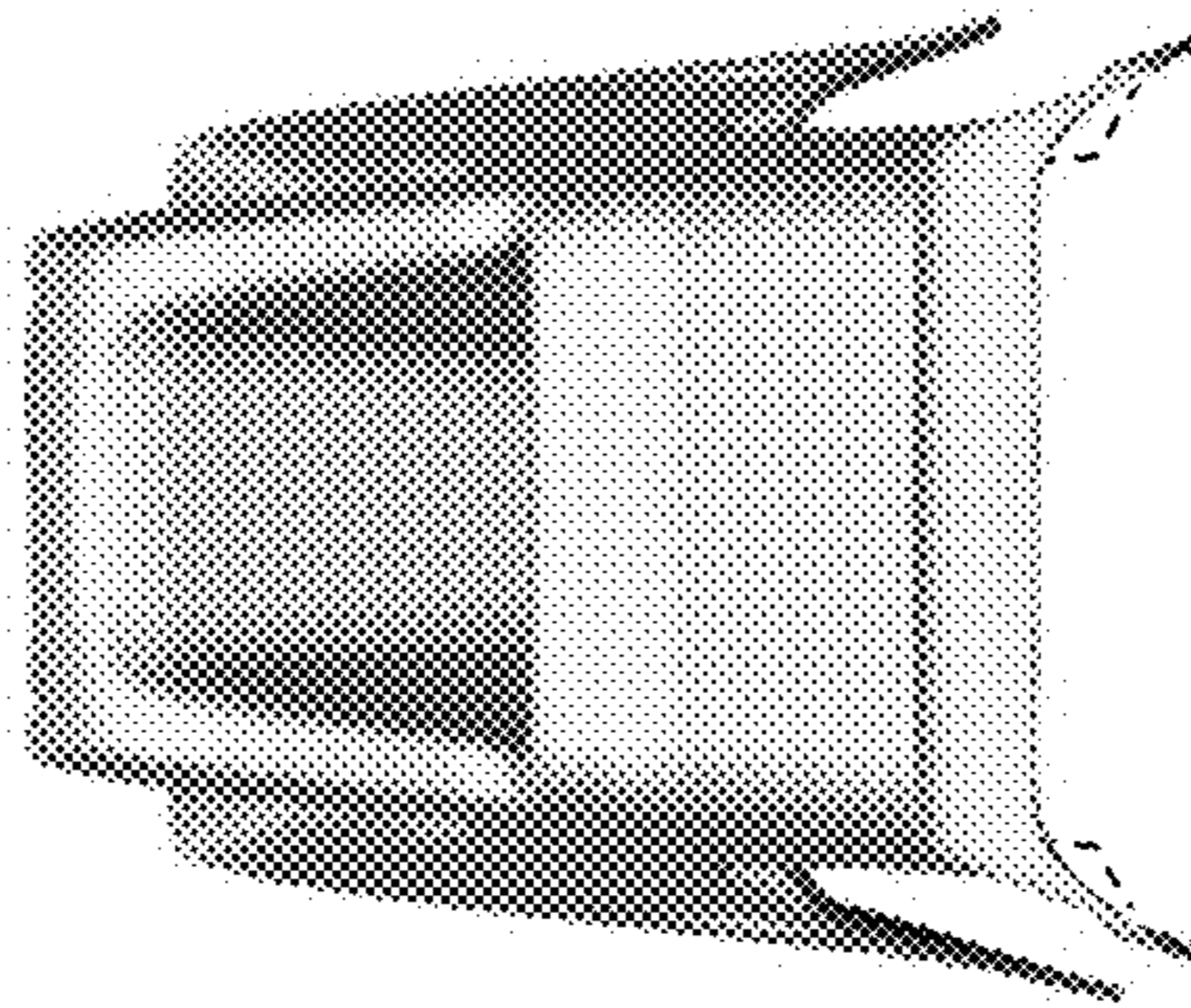


FIG. 6



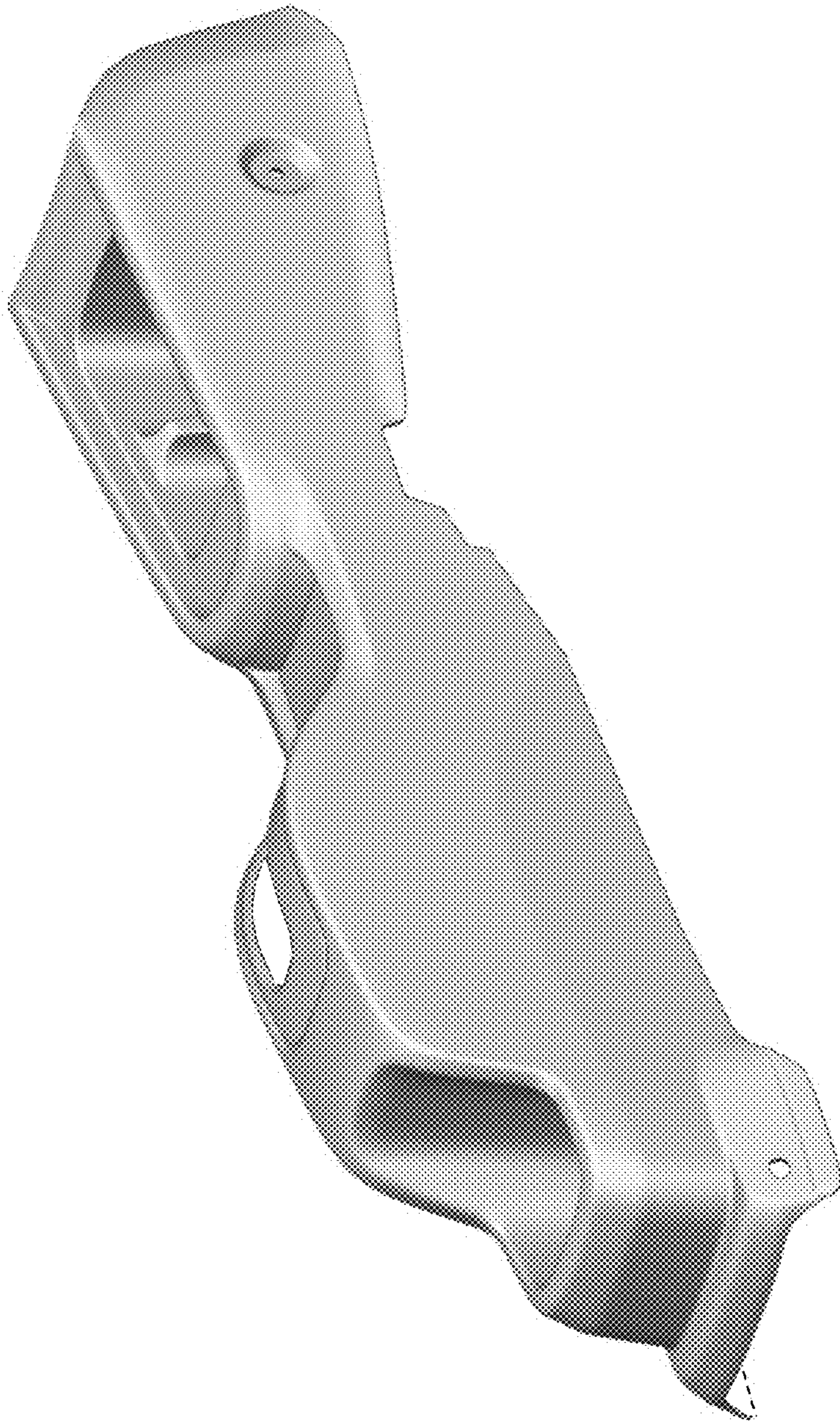


FIG. 7

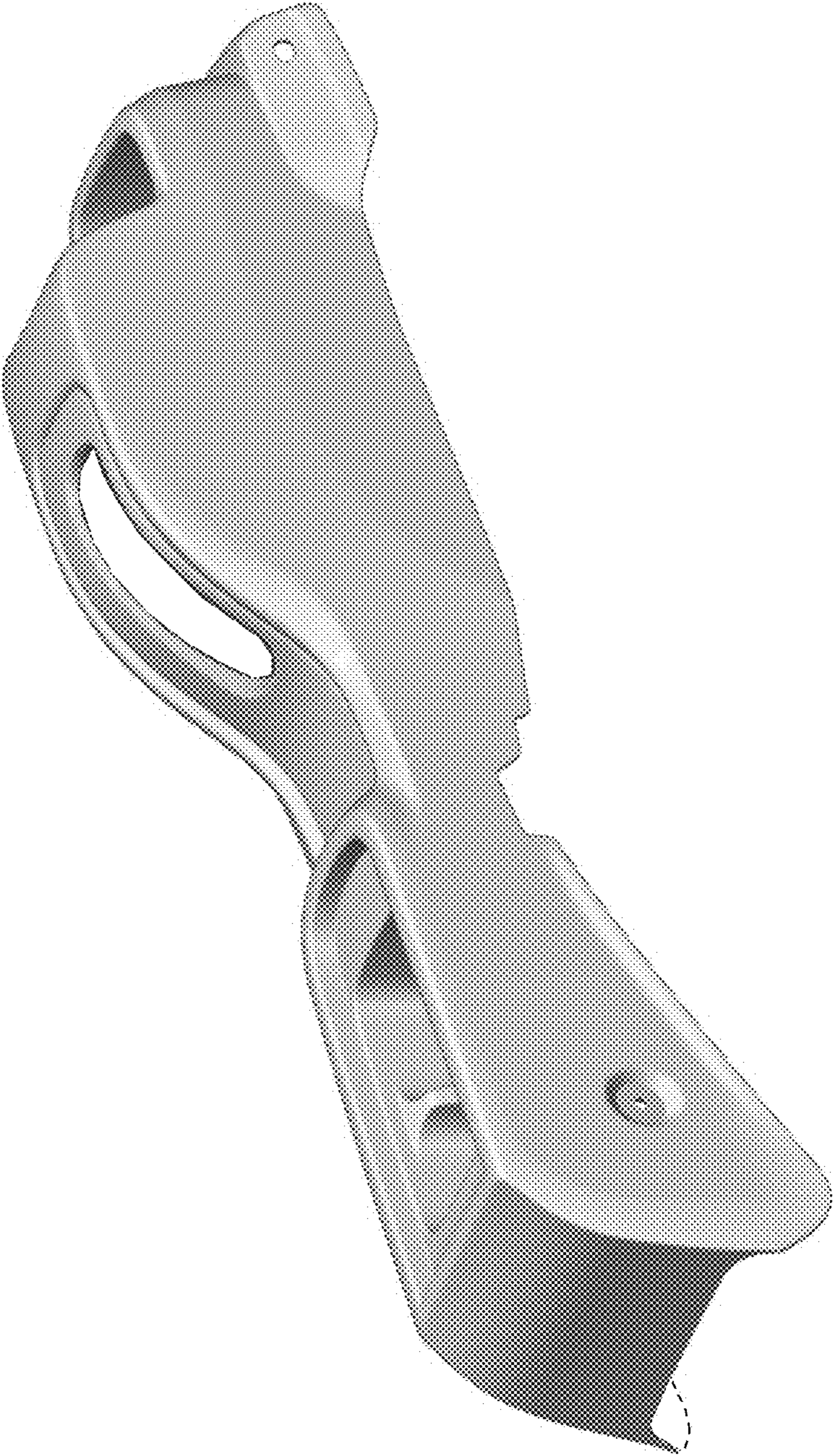


FIG. 8