



US00D856259S

(12) **United States Design Patent**
Li et al.

(10) **Patent No.:** **US D856,259 S**
(45) **Date of Patent:** **** Aug. 13, 2019**

- (54) **AIRCRAFT**
- (71) Applicant: **Shu Zong**, Harbin, Heilongjiang (CN)
- (72) Inventors: **Minglei Li**, Heilongjiang (CN); **Shu Zong**, Heilongjiang (CN); **Yepeng Li**, Heilongjiang (CN)
- (73) Assignee: **SHU ZONG**, Harbin (CN)
- (**) Term: **15 Years**
- (21) Appl. No.: **29/647,506**
- (22) Filed: **May 14, 2018**
- (30) **Foreign Application Priority Data**

Mar. 9, 2018 (CN) 2018 3 0088688

- (51) **LOC (12) Cl.** **12-07**
- (52) **U.S. Cl.**
USPC **D12/328**
- (58) **Field of Classification Search**
USPC D12/319-345, 1-4, 16.1, 214;
D21/436-454, 455; D30/160
CPC B64C 29/0025; B64C 2201/108; B64C
2201/048; B64C 2201/088; B64C 29/00;
B64C 29/0058; B64C 39/001; B64C
39/024; B64C 39/062; B64C 2201/141;
B64C 27/12; B64B 1/40
See application file for complete search history.

(56) **References Cited**

U.S. PATENT DOCUMENTS

- 1,527,046 A * 2/1925 Ingram A63H 27/10
426/104
- D171,133 S * 12/1953 Jay D12/325
- 2,753,132 A * 7/1956 Gley B64C 29/0025
244/15
- 2,862,680 A * 12/1958 Berger B64C 27/18
244/17.17

- D185,820 S * 8/1959 Machinski D12/325
- 2,947,495 A * 8/1960 Hammond, Jr. B64D 3/02
244/3
- 2,966,318 A * 12/1960 Chodan B64C 29/0016
244/17.23
- 3,045,948 A * 7/1962 Howie B64C 29/0041
244/12.2
- 3,045,951 A * 7/1962 Freeland B64C 39/001
180/117
- 3,051,415 A * 8/1962 Frost B64C 39/001
244/23 C
- 3,090,580 A * 5/1963 Kehlet B64D 17/78
244/113
- 3,174,706 A * 3/1965 Wagner B64G 1/641
102/377
- D200,941 S * 4/1965 Fiedler D12/308
- 3,204,891 A * 9/1965 Cline A63H 27/12
244/23 R

(Continued)

Primary Examiner — Marissa J Cash
(74) *Attorney, Agent, or Firm* — Ladas & Parry LLP

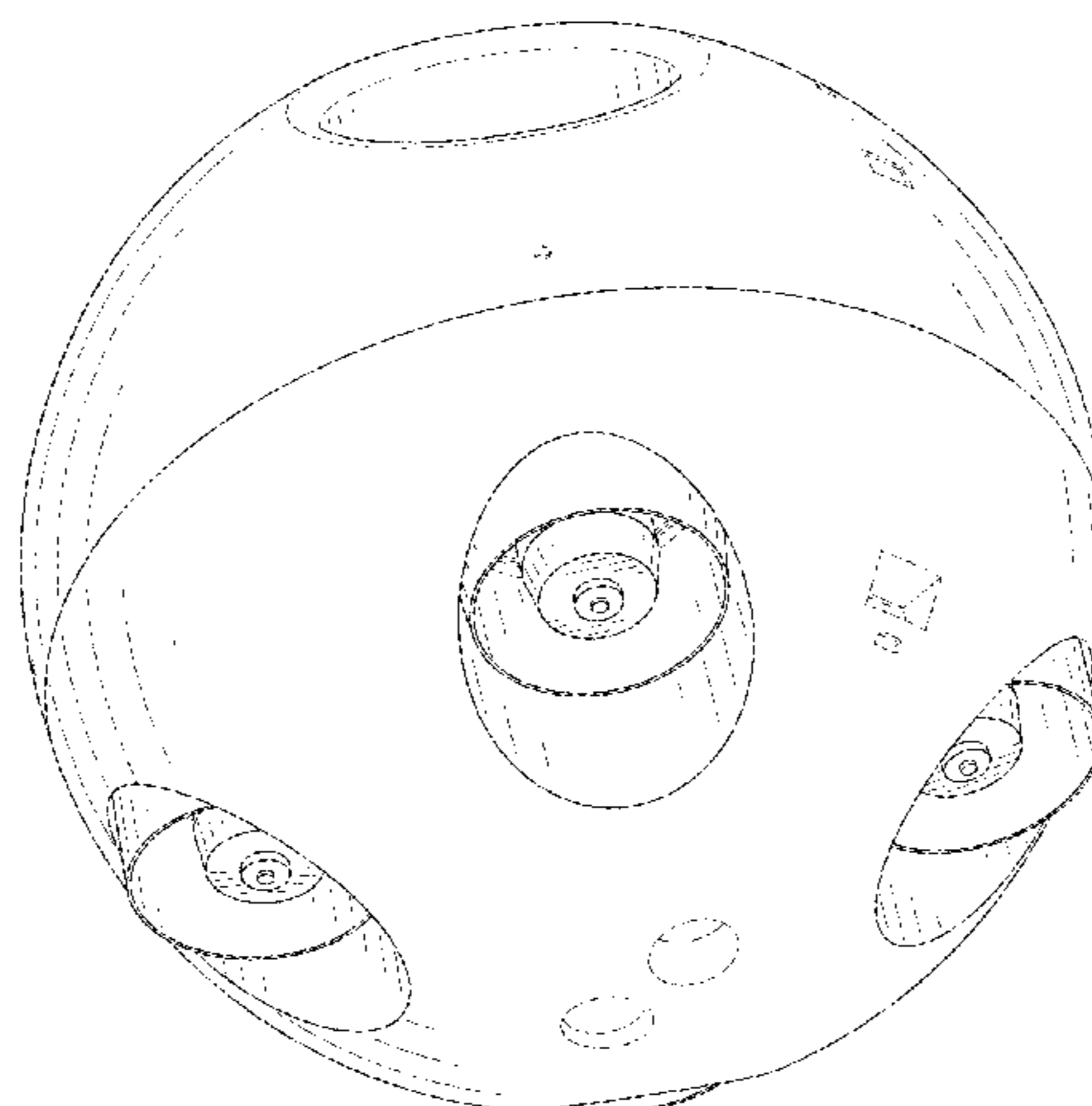
(57) **CLAIM**

The ornamental design for an aircraft, as shown and described.

DESCRIPTION

FIG. 1 is a front elevational view of an aircraft showing our new design;
FIG. 2 is a rear elevational view thereof;
FIG. 3 is a left side elevational view thereof;
FIG. 4 is a right side elevational view thereof;
FIG. 5 is a top plan view thereof;
FIG. 6 is a bottom plan view thereof;
FIG. 7 is a left, bottom, rear perspective view thereof; and,
FIG. 8 is a front, right, top perspective view thereof.
The broken lines in the figures are included for the purpose of illustrating portions of the article which form no part of the claimed design.

1 Claim, 8 Drawing Sheets



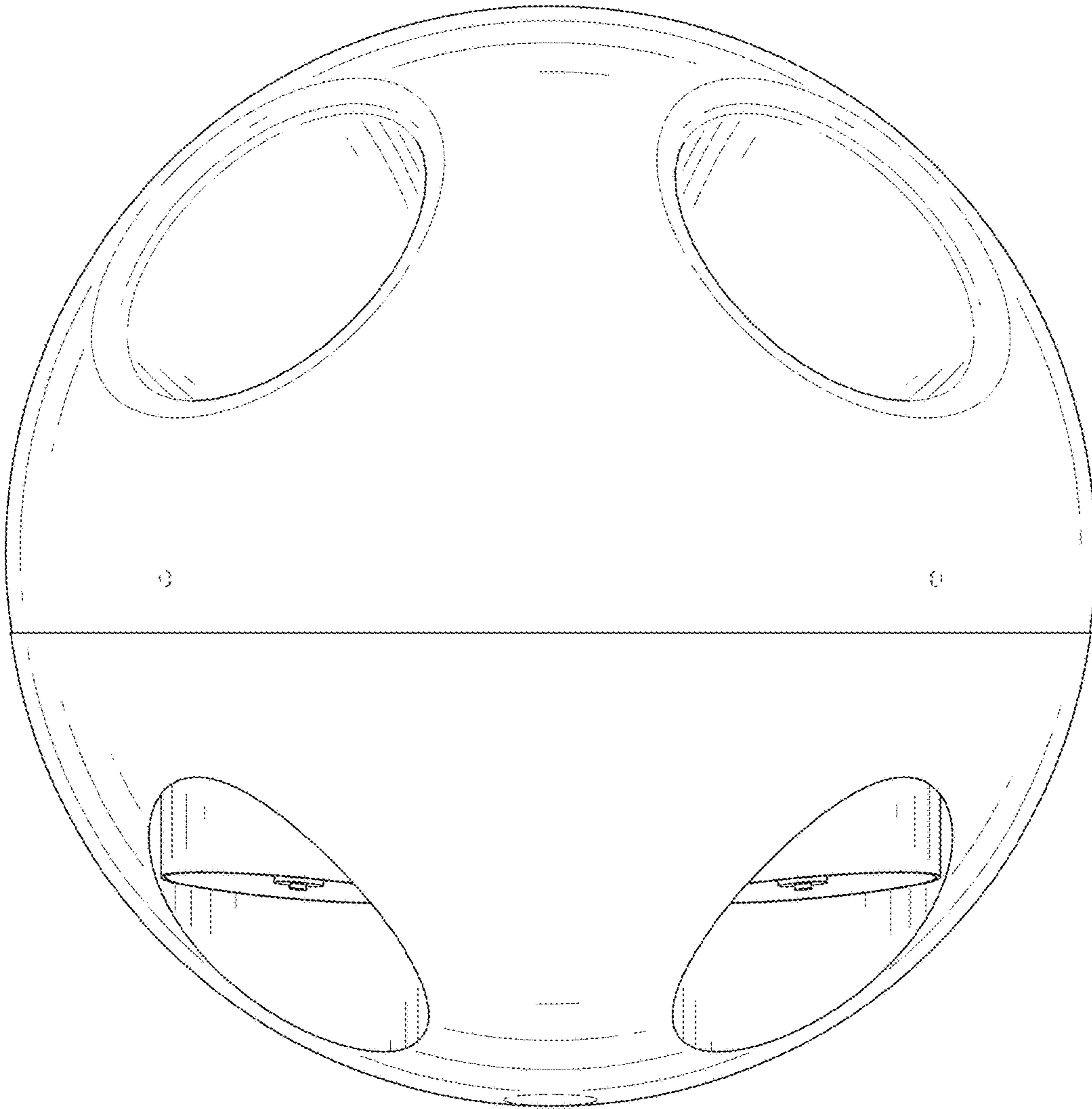


FIG. 1

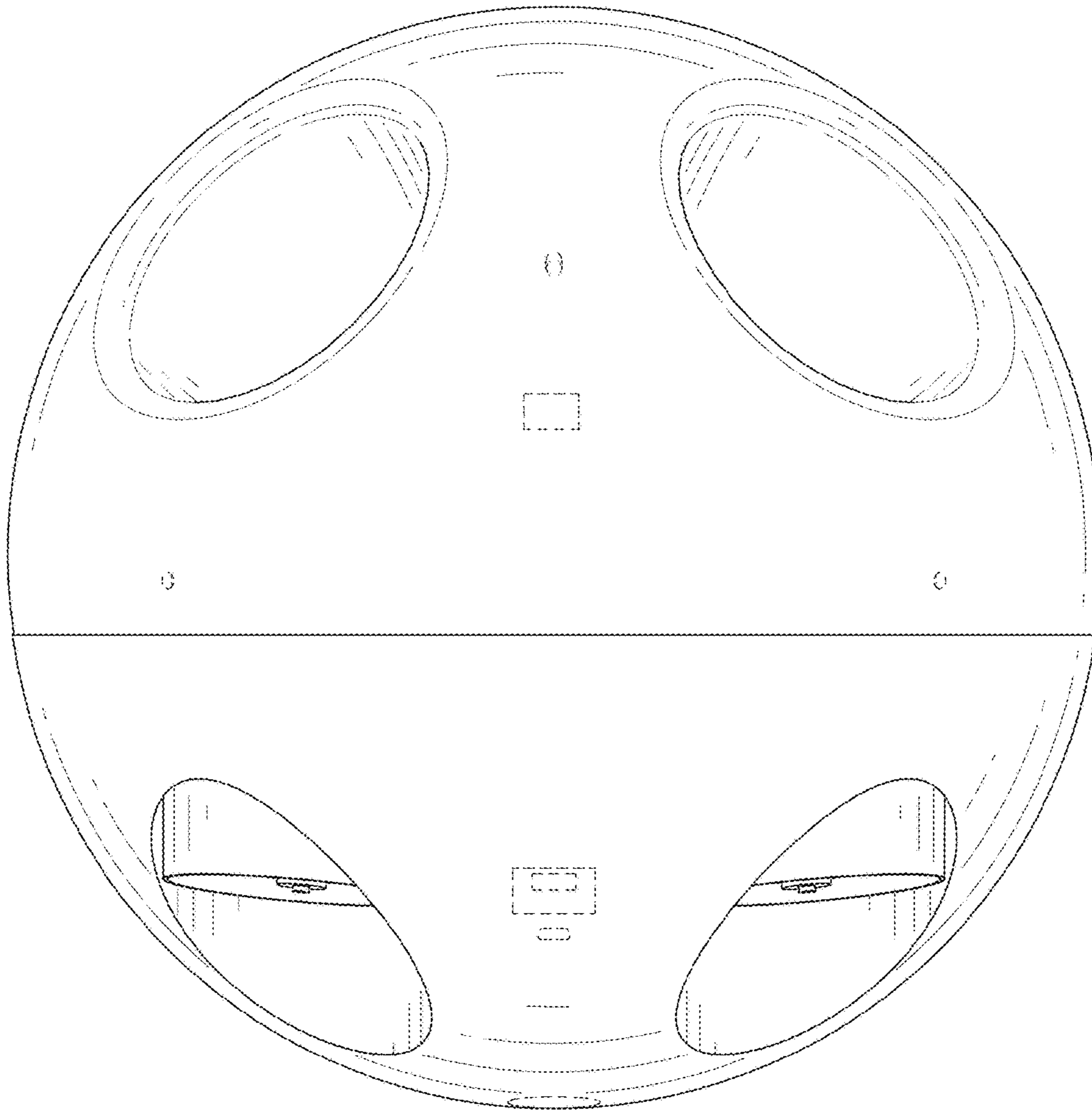


FIG. 2

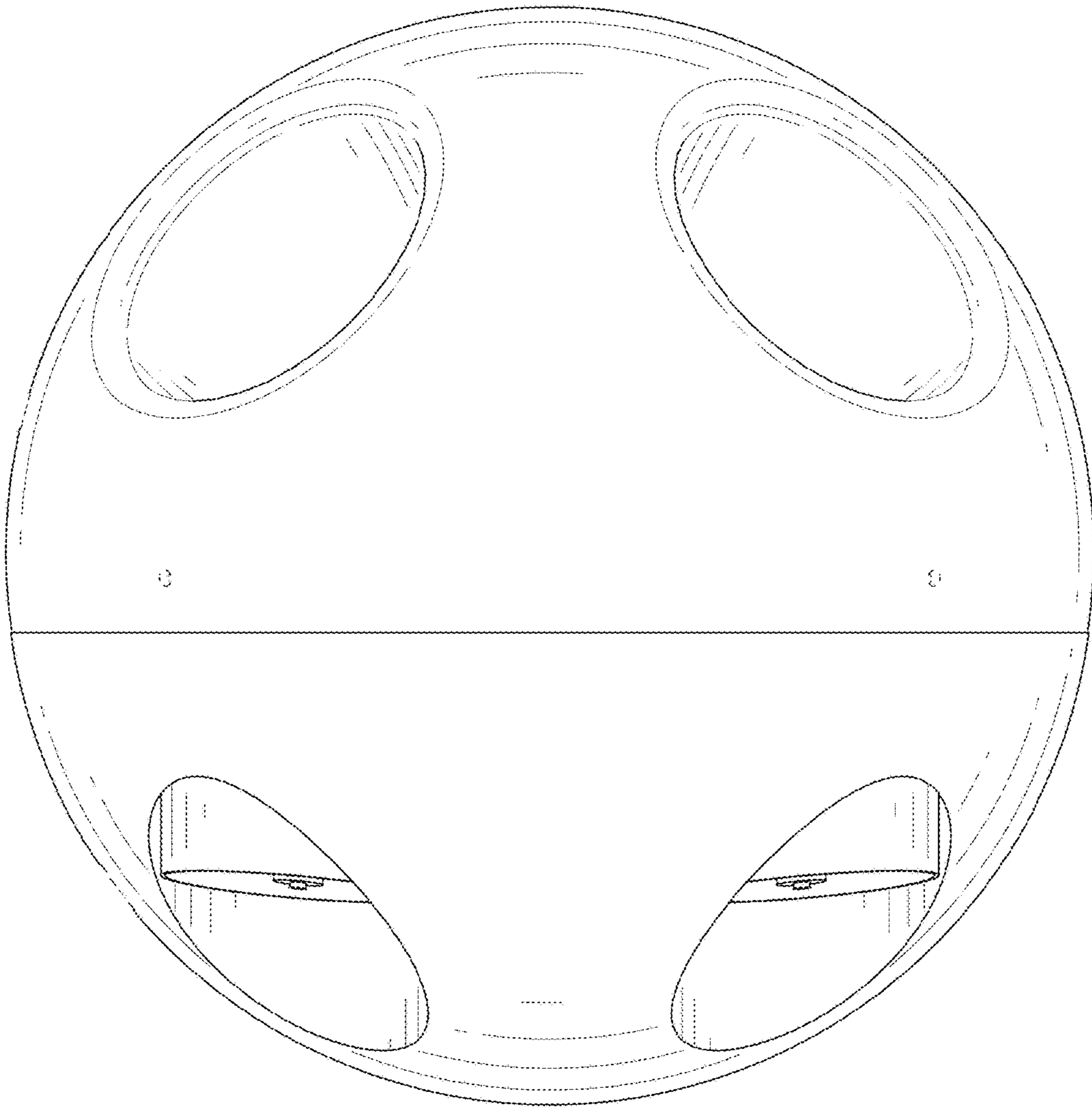


FIG. 3

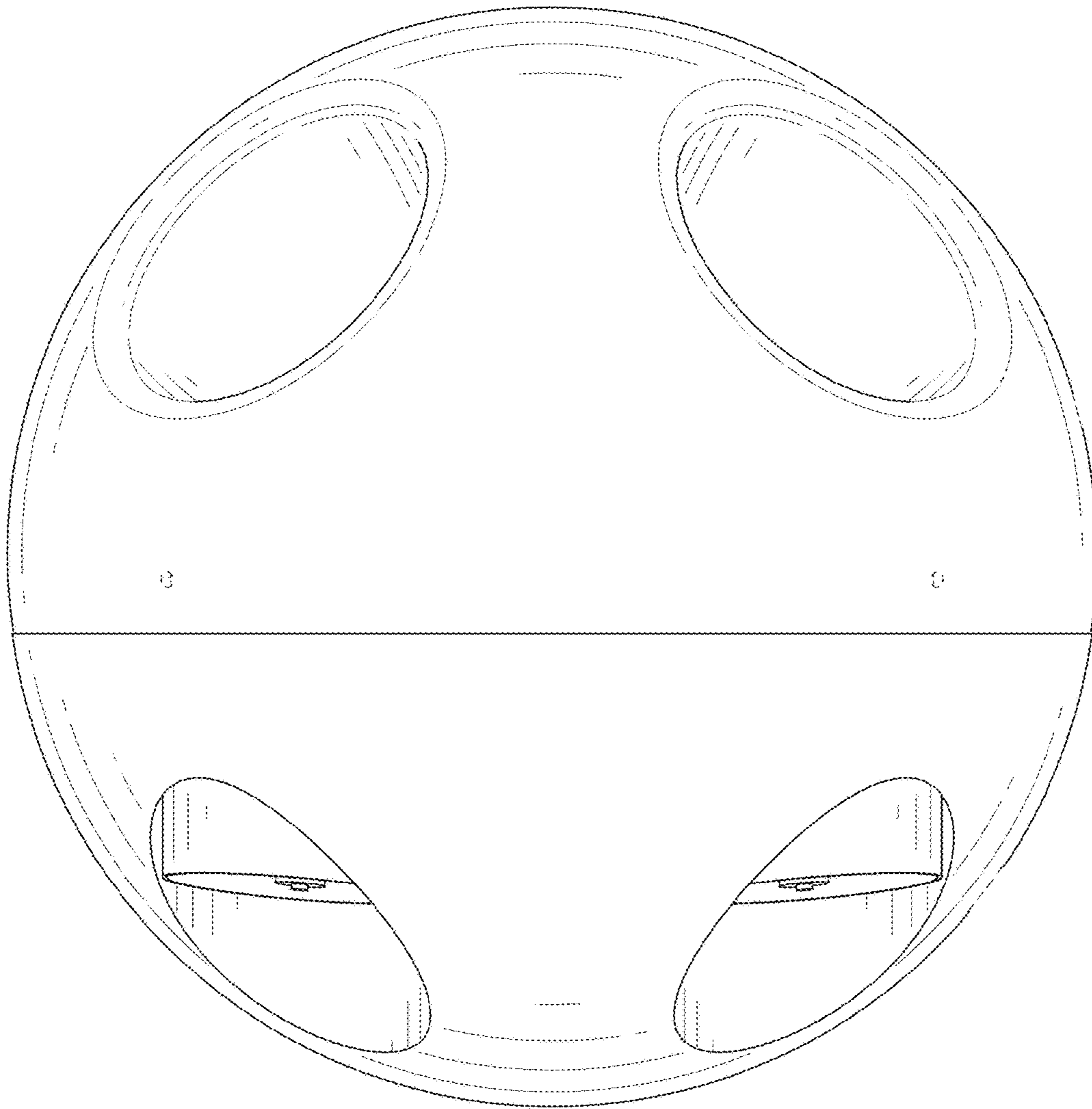


FIG. 4

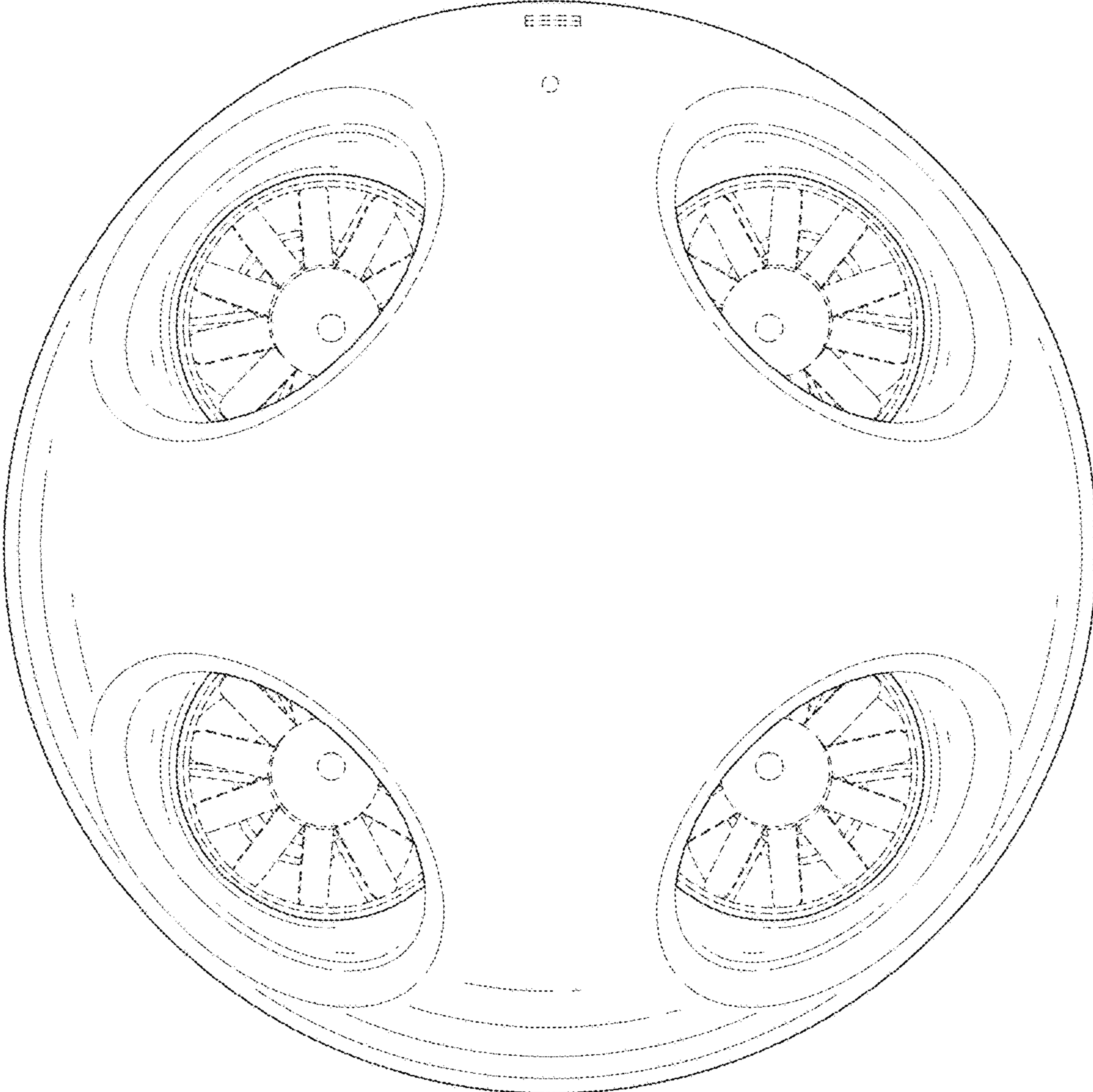


FIG. 5

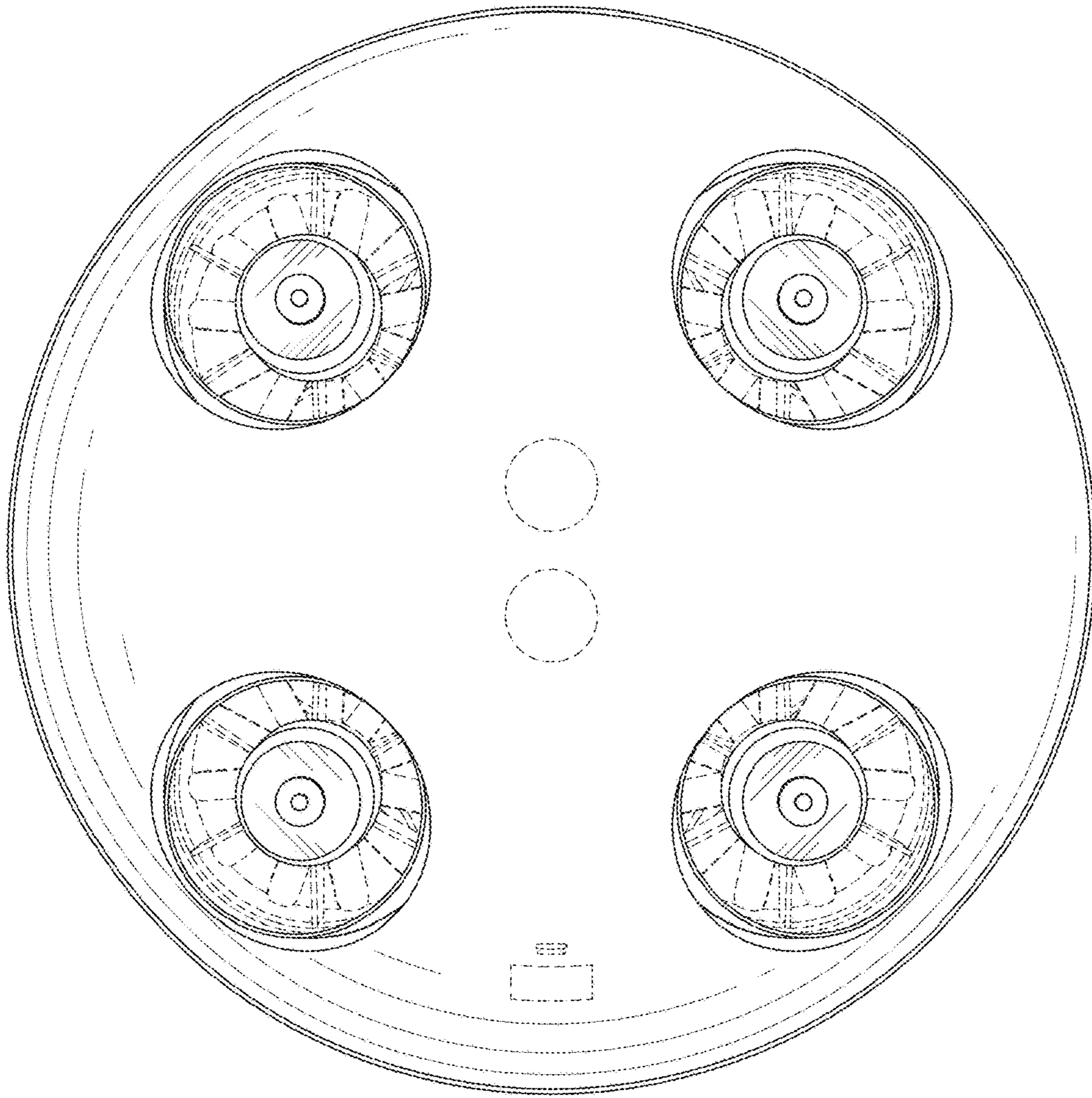


FIG. 6

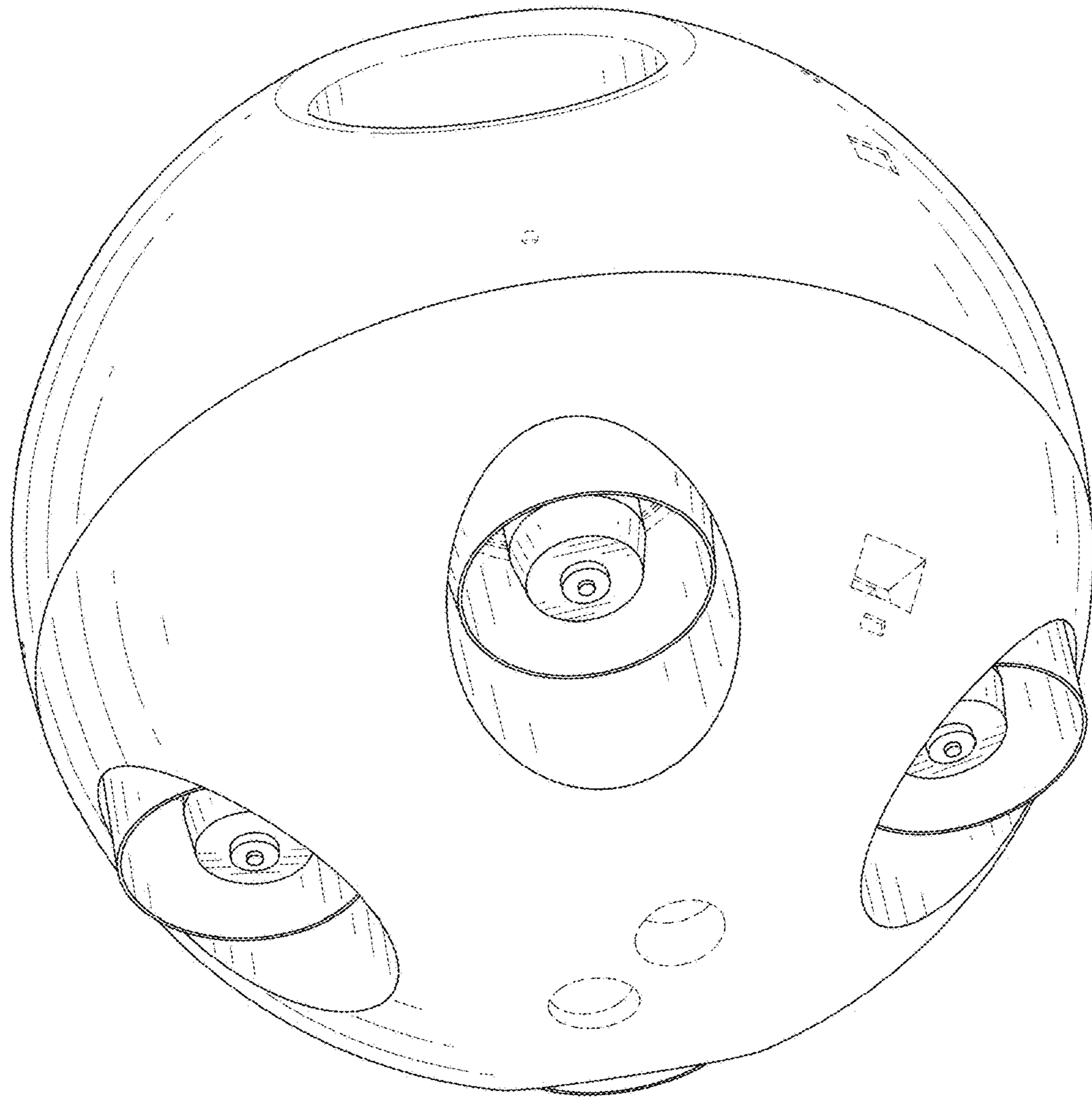


FIG. 7

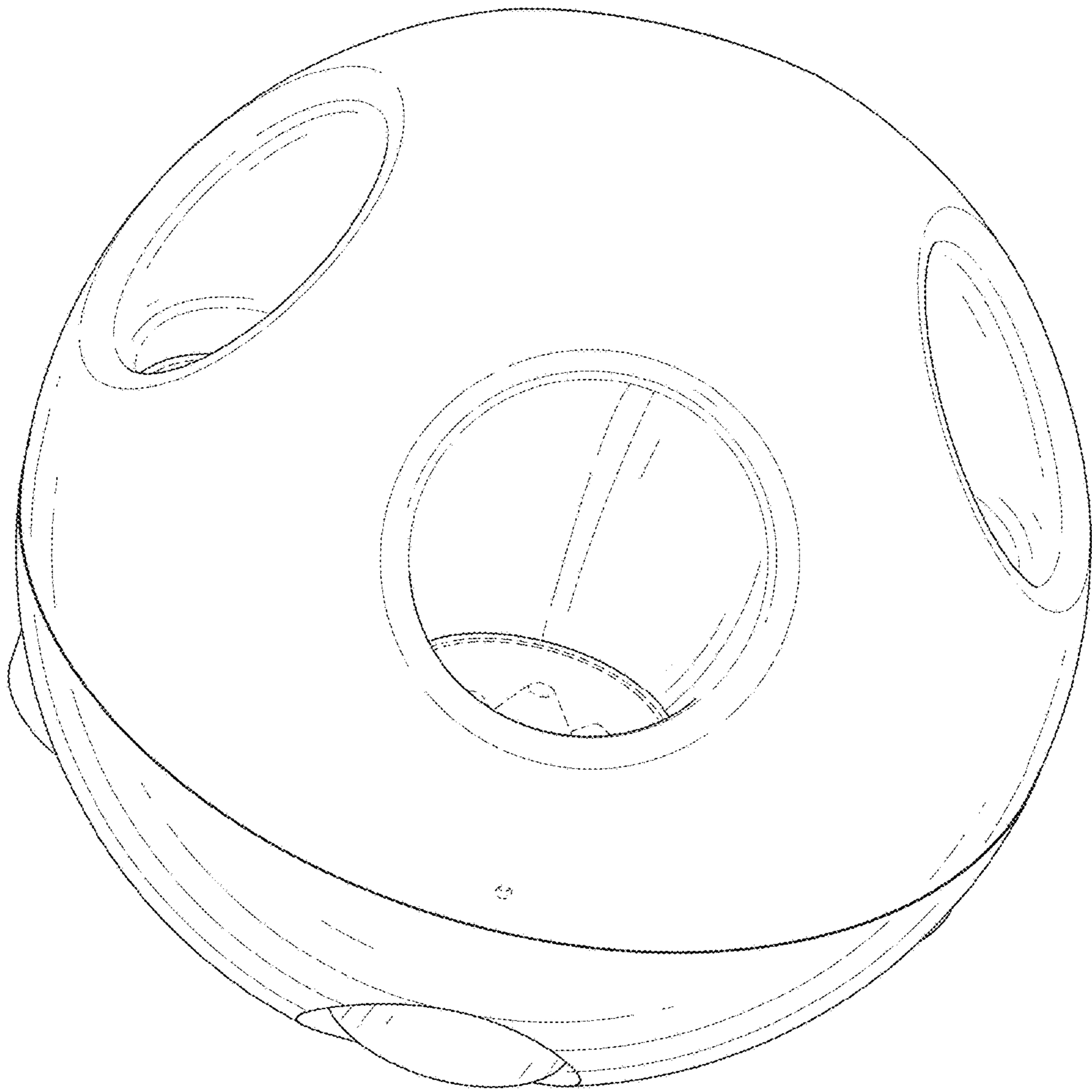


FIG. 8